



(12) **United States Design Patent**
Tandon

(10) **Patent No.:** **US D740,622 S**
(45) **Date of Patent:** **** Oct. 13, 2015**

(54) **COOKIE CUTTER**

(71) Applicant: **Aditi Tandon**, Basking Ridge, NJ (US)

(72) Inventor: **Aditi Tandon**, Basking Ridge, NJ (US)

(**) Term: **14 Years**

(21) Appl. No.: **29/521,858**

(22) Filed: **Mar. 26, 2015**

Related U.S. Application Data

(62) Division of application No. 29/447,674, filed on Mar. 5, 2013.

(51) **LOC (10) Cl.** **07-04**

(52) **U.S. Cl.**
USPC **D7/675**

(58) **Field of Classification Search**
USPC D7/672-675, 323, 350.2, 354, 678, 693, D7/695, 669, 683; 30/92-95, 113.1, 114, 30/123.5, 124, 130, 165, 247, 279.6, 278, 30/279.2, 280, 2, 83, 286, 287-291, 299, 30/301-306, 312, 314-316, 320, 321, 337, 30/340, 355, 389-391; 249/135, 66.1, 249/117, 119, 122-127, 155-156, 160, 249/169; 99/509, 537, 538, 547, 552, 556; 241/100, 95, 168, 169, 273.1-274, 241/285.2, 285.1, 286, 93, 101.1, 101.2; 83/13, 87, 167, 404.3, 425.3, 431, 83/435.15, 436.2, 436.7, 437.7, 441.1, 83/451, 569, 581.1, 662, 669, 697, 698.11, 83/699.51, 699.61, 717, 837, 856, 857, 83/858, 874, 906, 932; 425/276, 279, 281, 425/298, 299, 117, 135
CPC B26D 2210/02; B26D 2210/06; B26D 2210/08; B26D 3/08; B26D 3/085; B26D 3/10; B26D 3/12; B26D 3/24; B26D 3/26; B26D 3/283; B26D 3/285; B26D 1/00; B26D 1/0006; B26D 1/01; B26D 1/015; B26D 1/02; B26D 1/025; B26D 1/03; B26D 1/04; B26D 1/045; B26D 1/06; B26D 1/065;

B26D 1/10; B26D 1/105; B26D 1/11; B26D 1/125; B26D 1/141; B26D 1/25; B26D 1/255; B26D 1/547; B26D 1/5475; B26D 1/565; A47J 43/20; A47J 25/00; A47J 23/00; A23P 1/12; A23P 1/10; A23P 1/105; A23P 1/00
See application file for complete search history.

(56) **References Cited**

U.S. PATENT DOCUMENTS

D24,341 S * 5/1895 Henderson D7/675
D24,342 S * 5/1895 Henderson D7/675

(Continued)

OTHER PUBLICATIONS

Ellie's Bites Decorated Cookies, [online], published on Dec. 20, 2013, retrieved on Apr. 28, 2015. Retrieved from, <URL: <https://elliesbitesdecoratedcookies.wordpress.com/2013/12/20/simple-holiday-candle-place-card-cookies/>>, 1 page.*

(Continued)

Primary Examiner — Ian Simmons
Assistant Examiner — Shannon Morgan
(74) *Attorney, Agent, or Firm* — QuickPatents; Kevin Prince

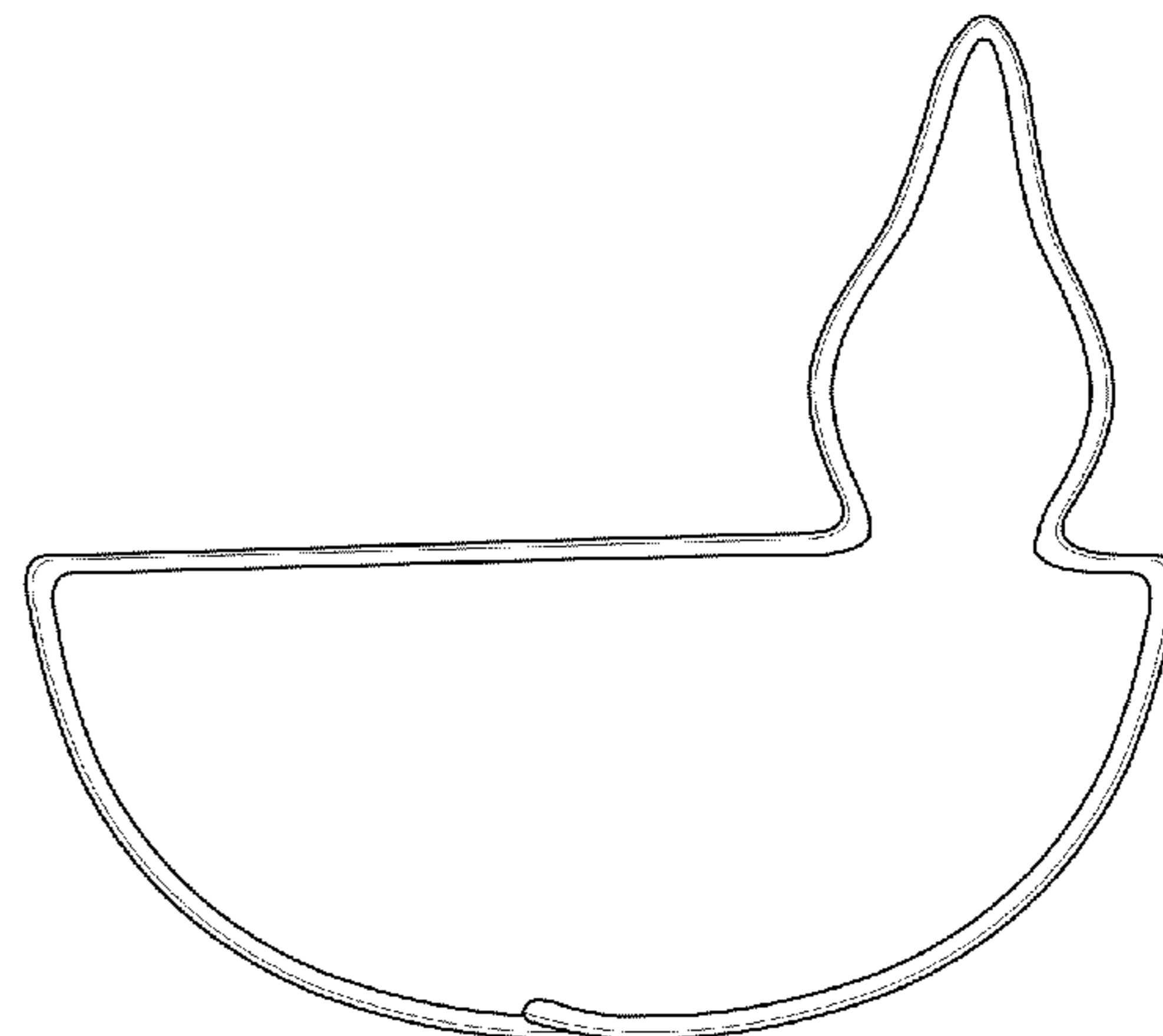
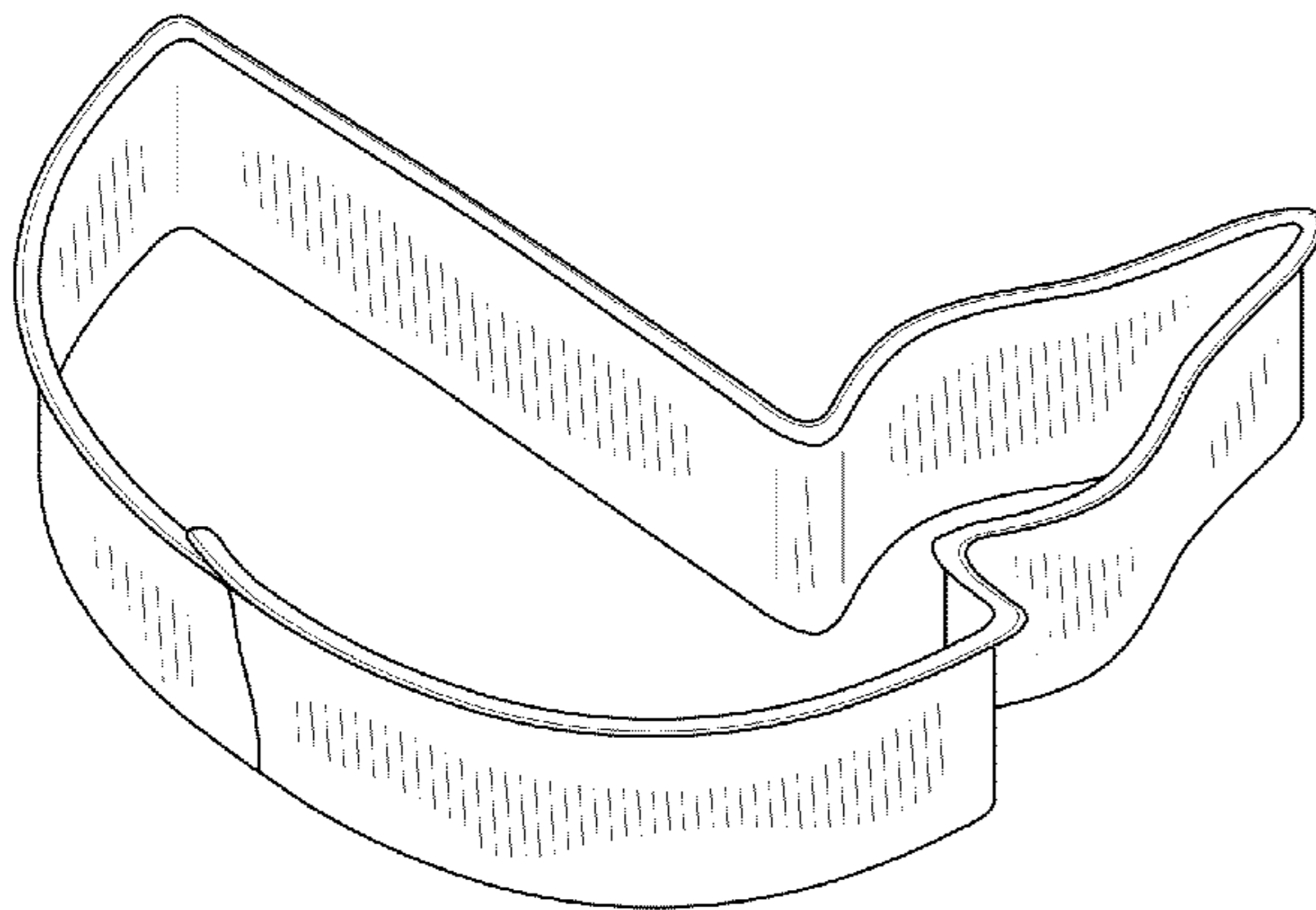
(57) **CLAIM**

The ornamental design for a cookie cutter, as shown and described.

DESCRIPTION

FIG. 1 is a perspective view of a cookie cutter showing my new design;
FIG. 2 is a front elevational view thereof;
FIG. 3 is a rear elevational view thereof;
FIG. 4 is a right-side elevational view thereof;
FIG. 5 is a left-side elevational view thereof;
FIG. 6 is a top plan view thereof; and,
FIG. 7 is a bottom plan view thereof.

1 Claim, 3 Drawing Sheets



(56)

References Cited

U.S. PATENT DOCUMENTS

1,446,513 A * 2/1923 Morris 30/301
 2,052,510 A * 8/1936 Wooiverton 425/118
 D101,584 S * 10/1936 Hoffman D7/675
 D162,798 S * 4/1951 Ebbott D15/90
 D246,412 S * 11/1977 Brunner D7/675
 D530,144 S * 10/2006 O'Flynn et al. D7/354
 D540,110 S * 4/2007 Nichols et al. D7/354
 D581,224 S * 11/2008 Vendl D7/675
 D584,579 S * 1/2009 Vendl D7/675
 D587,074 S * 2/2009 Casarta D7/675
 D628,862 S * 12/2010 Zeilinger D7/675
 D654,327 S * 2/2012 Mills D7/675
 D654,328 S * 2/2012 Mills D7/675
 D654,330 S * 2/2012 Mills D7/675
 D659,489 S * 5/2012 Berief D7/675
 D661,047 S * 6/2012 Leleniak D1/106

D719,791 S * 12/2014 Davis D7/672
 D725,444 S * 3/2015 Cline et al. D7/676
 D725,974 S * 4/2015 Cline et al. D7/676
 2002/0083597 A1* 7/2002 Garner 30/316
 2014/0033544 A1* 2/2014 Cline et al. 30/295

OTHER PUBLICATIONS

Dcmetaldesigns, [online], retrieved on Apr. 28, 2015. Retrieved from, <URL: <https://www.etsy.com/listing/79310344/reserved-for-gina-burden-rambert-flame>>, 1 page.*
 Birthday Cookie Cutters, [online], retrieved on Apr. 28, 2015. Retrieved from, <URL: <http://cookiecutter.com/birthday-cookie-cutters.htm>>, 1 page.*
 Birthday Cake Cookie Cutter, [online], retrieved on Apr. 28, 2015. Retrieved from, <URL: <http://pixgood.com/birthday-cake-cookie-cutter.html>>, 1 page.*

* cited by examiner

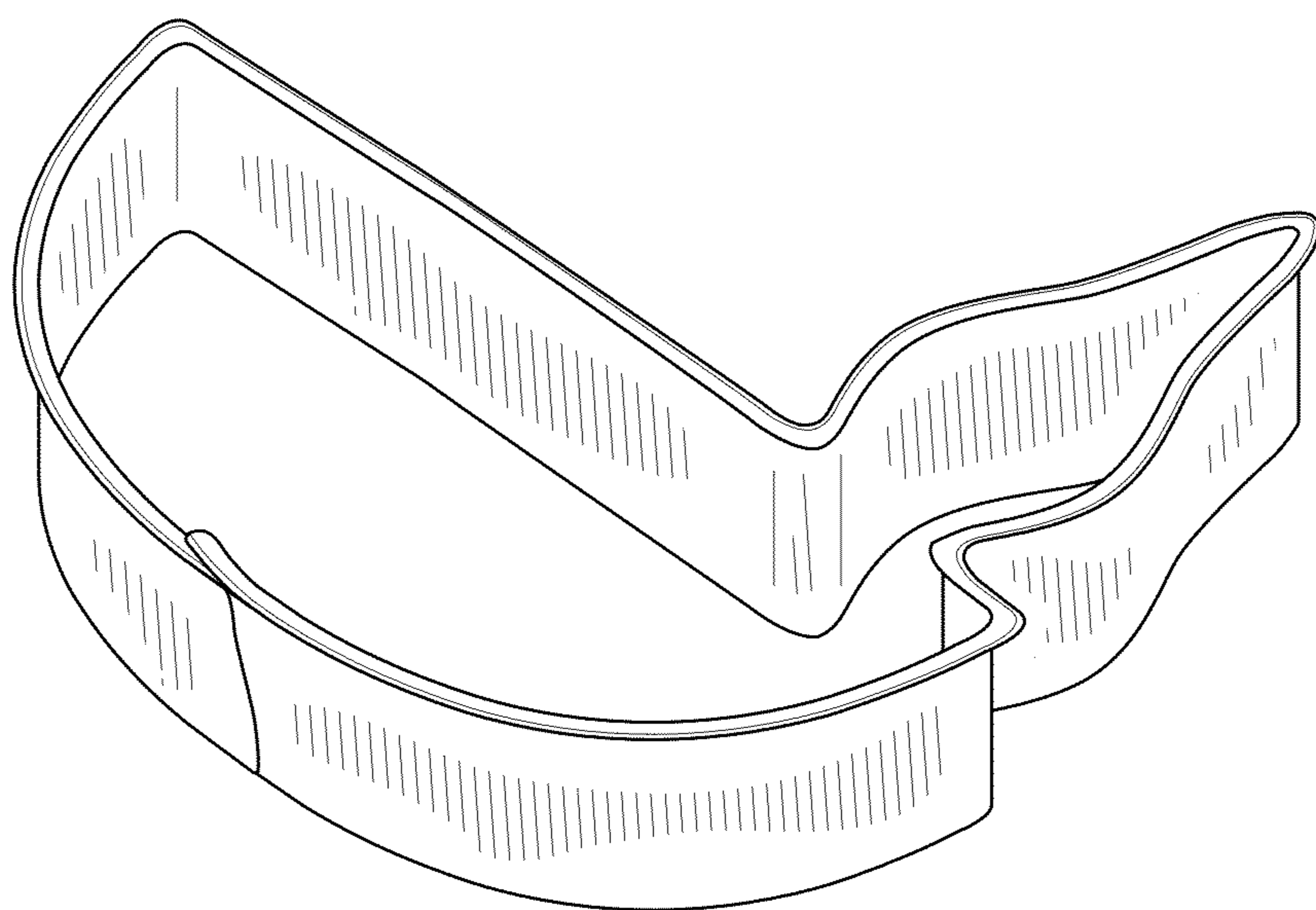


FIG. 1

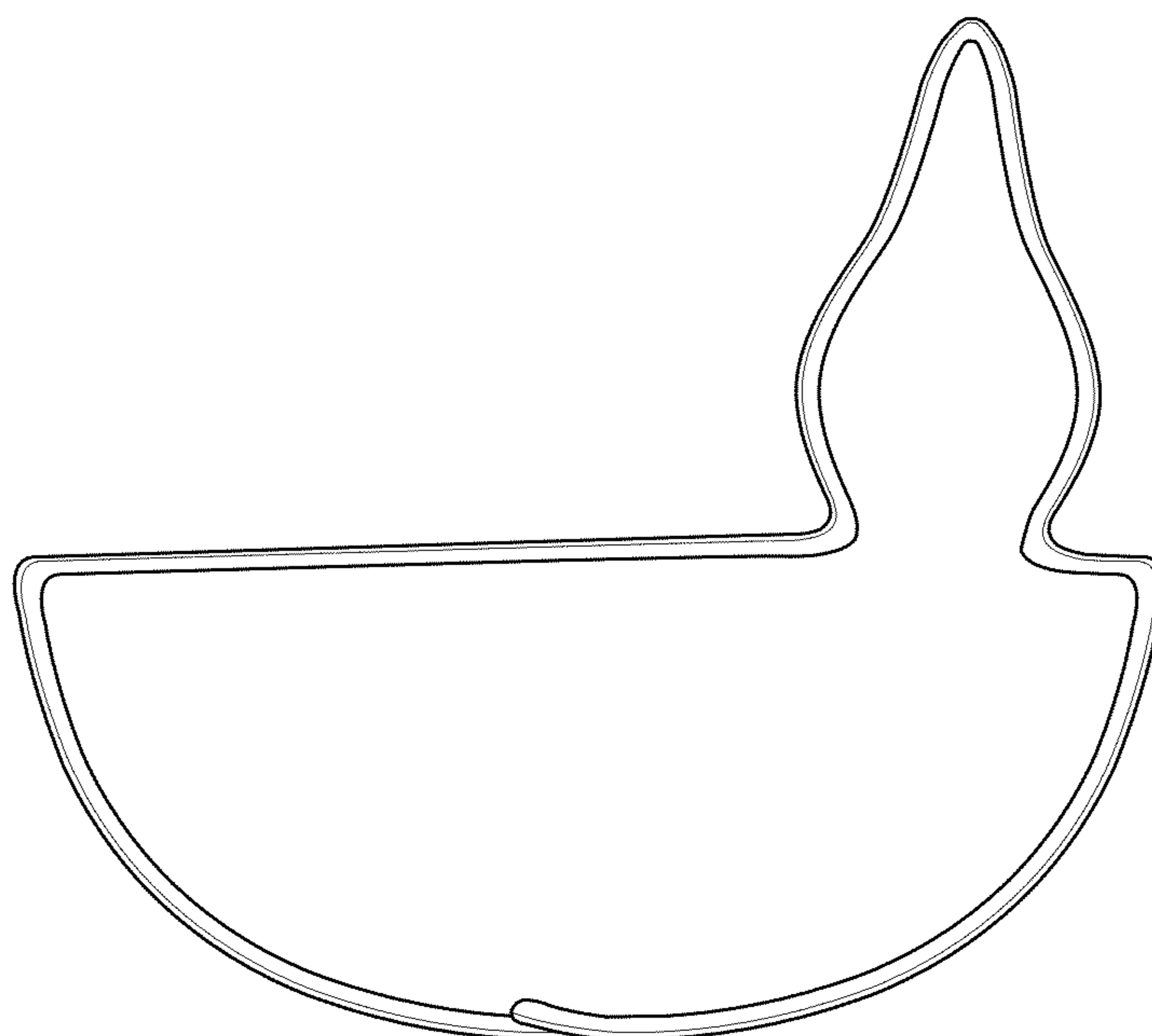


FIG. 2

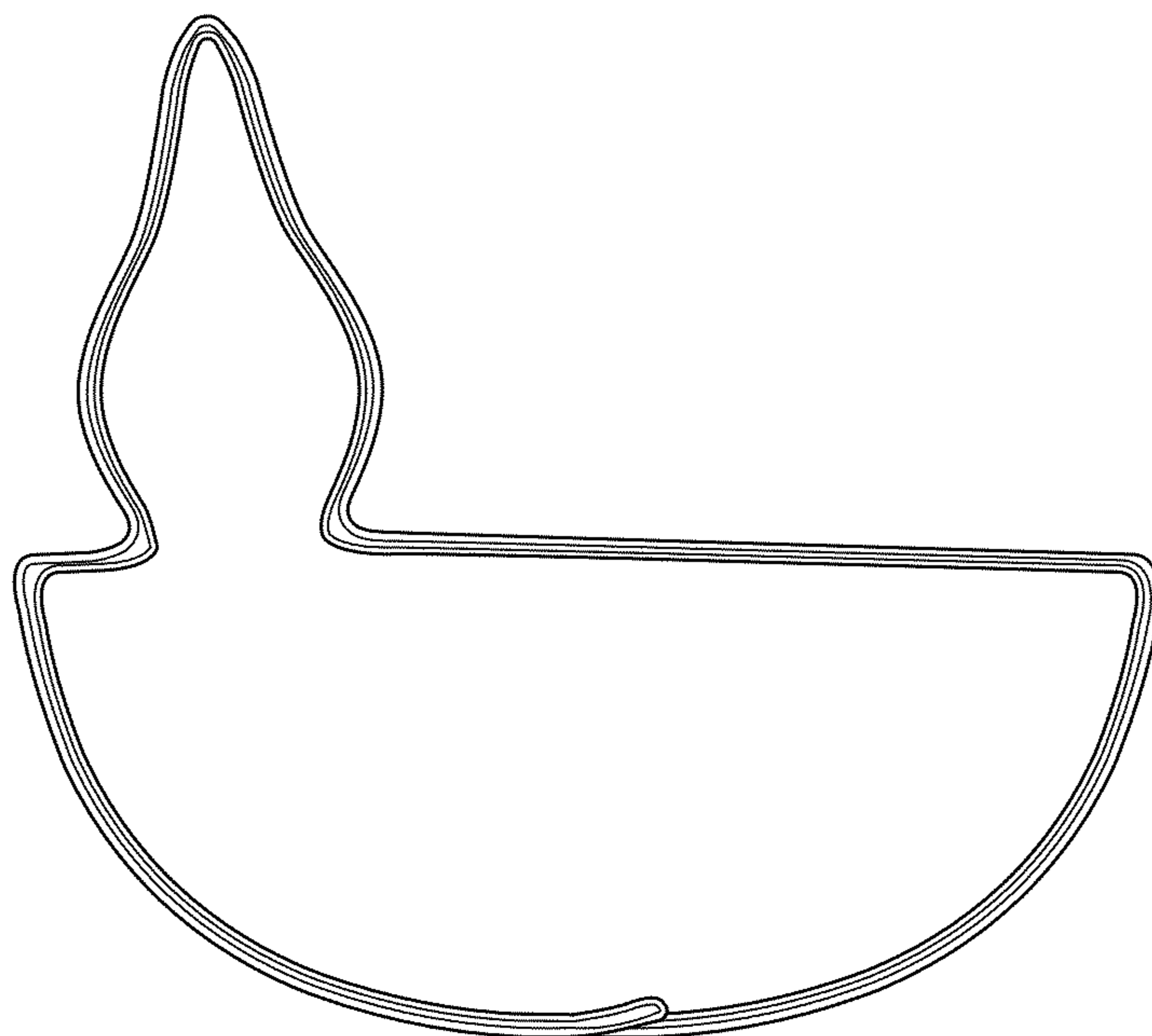


FIG. 3

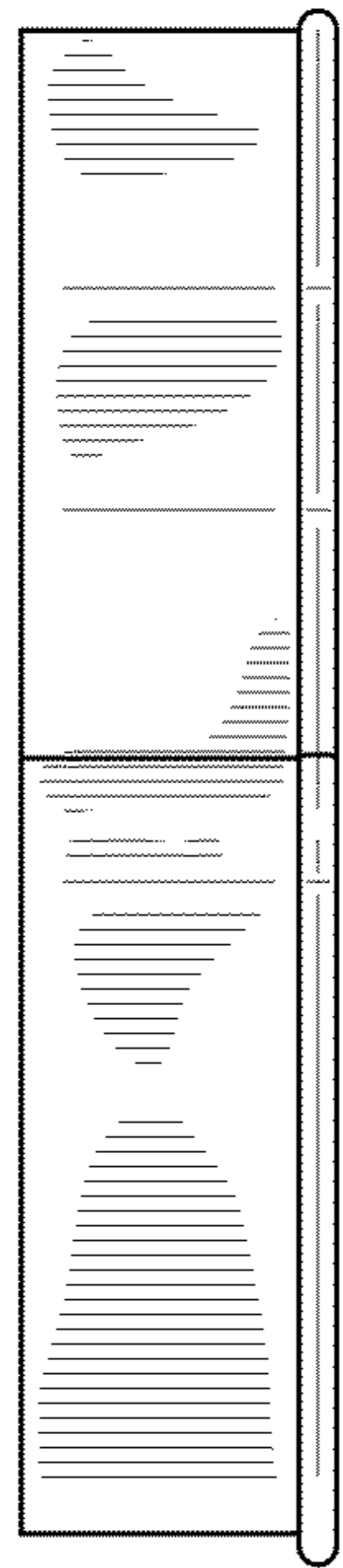


FIG. 4

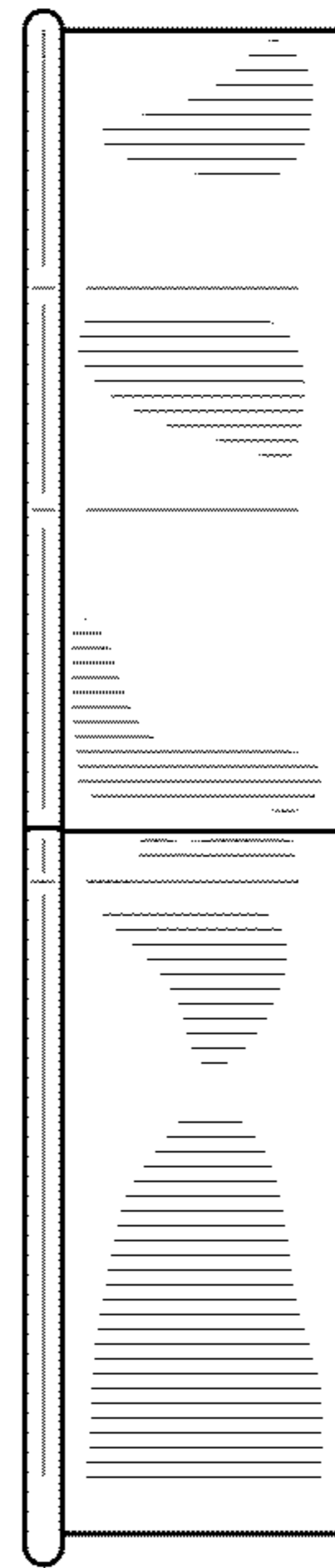


FIG. 5

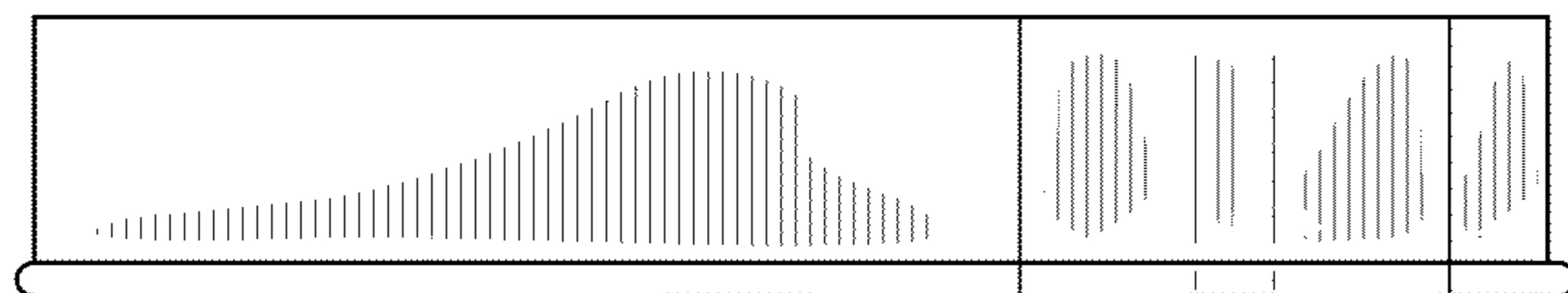


FIG. 6

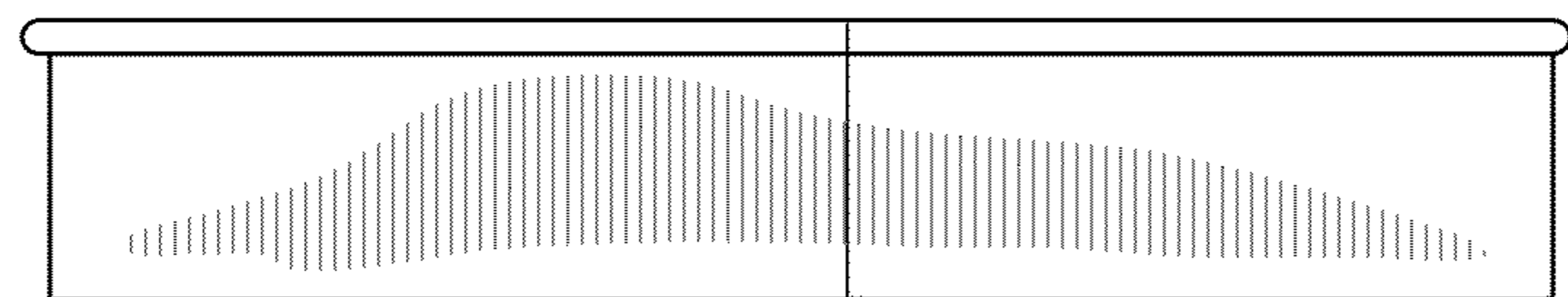


FIG. 7