



US00D740621S

(12) **United States Design Patent**
Fouquet

(10) **Patent No.:** **US D740,621 S**
(45) **Date of Patent:** **** Oct. 13, 2015**

(54) **JUICE EXTRACTOR**

(71) Applicant: **SANTOS**, Vaulx-en-Velin (FR)

(72) Inventor: **Nicolas Fouquet**, Chassieu (FR)

(73) Assignee: **SANTOS**, Vaulx-en-Velin (FR)

(**) Term: **14 Years**

(21) Appl. No.: **29/484,993**

(22) Filed: **Mar. 14, 2014**

(30) **Foreign Application Priority Data**

Sep. 17, 2013 (EM) 002311027

(51) **LOC (10) Cl.** **31-00**

(52) **U.S. Cl.**
USPC **D7/665**

(58) **Field of Classification Search**

USPC D7/368, 665-667, 412, 376-386, 372,
D7/373, 375, 374; 241/92, 401.1-101.73,
241/285.1-285.3, 36, 37.5, 100, 282.1;
99/495, 501-513, 499, 348, 357, 349,
99/369, 370, 496-497, 279, 280, 284,
99/290; 100/125, 213, 283, 218, 288, 208;
366/98, 142, 197-211, 241-254,
366/279-292, 341-347, 64-67
CPC A47J 19/02; A47J 44/00; A47J 44/02;
A47J 43/00; A47J 43/25; A47J 43/046;
A47J 43/0722; A47J 31/00; A47J 31/005;
A47J 31/02; A47J 31/04; A47J 19/027;
A47J 19/00; A47J 19/06; A47J 19/022;
A23N 1/02; A23N 1/00; A23N 1/003; A23N
1/006

See application file for complete search history.

(56) **References Cited**

U.S. PATENT DOCUMENTS

D471,408	S	*	3/2003	Fouquet	D7/665
D522,321	S	*	6/2006	Hsu	D7/665
D665,632	S	*	8/2012	Kim et al.	D7/665
D676,287	S	*	2/2013	Ferraby	D7/665
2011/0083566	A1	*	4/2011	Backus	99/511
2013/0255511	A1	*	10/2013	Steiner	99/513

* cited by examiner

Primary Examiner — Terry Wallace

(74) *Attorney, Agent, or Firm* — Stephen J. Weyer; Stites & Harbison PLLC

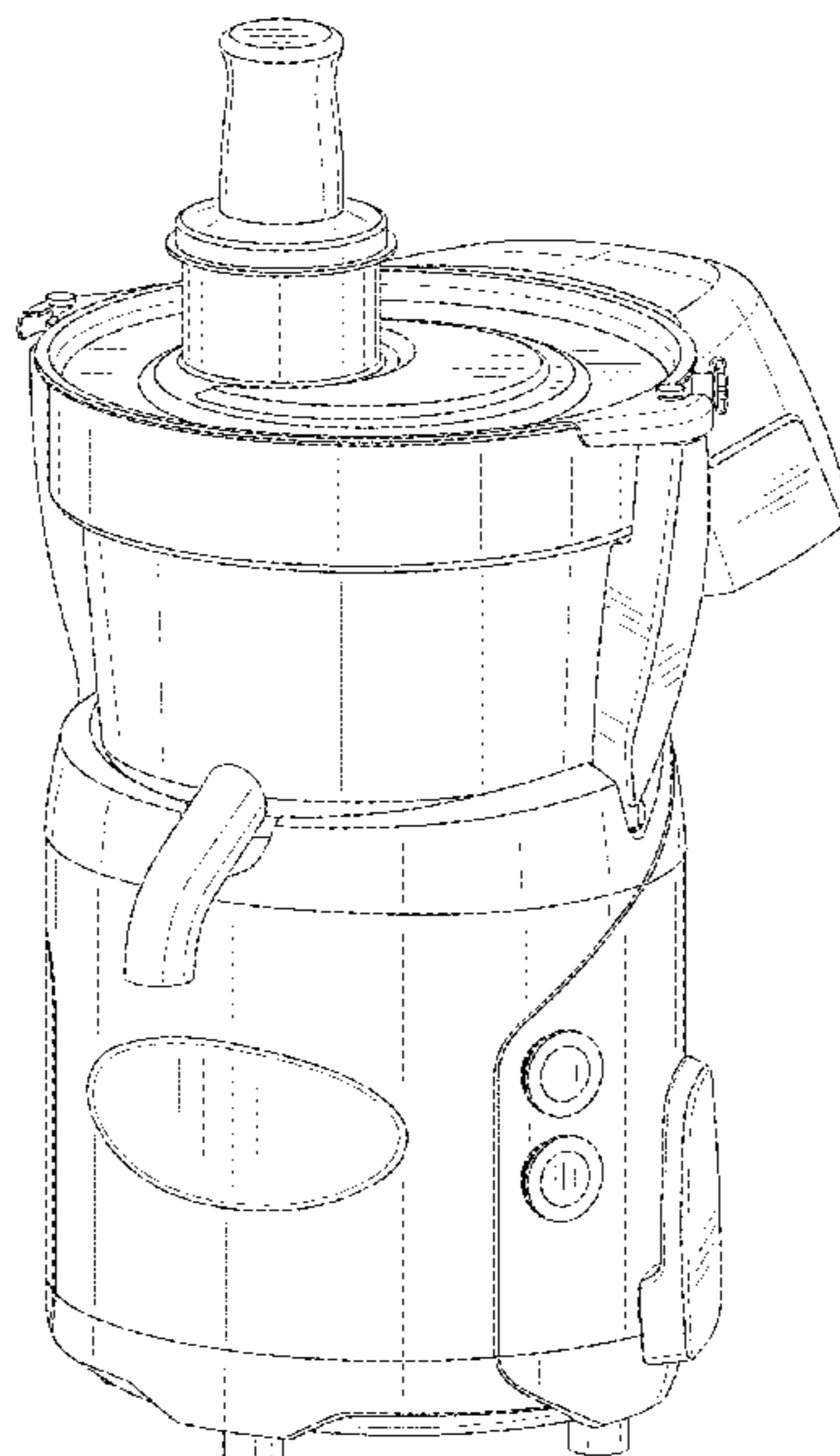
(57) **CLAIM**

The ornamental design for a juice extractor, as shown and described.

DESCRIPTION

FIG. 1 is a front, top and right side perspective view of a juice extractor showing the new design.
FIG. 2 is a right side view thereof.
FIG. 3 is a left side view thereof.
FIG. 4 is a front view thereof.
FIG. 5 is rear view thereof.
FIG. 6 is a top view thereof; and,
FIG. 7 is a bottom view thereof.
In the drawings, the broken lines in FIG. 7 depict portions of a bottom end that form no part of the claimed design.

1 Claim, 7 Drawing Sheets



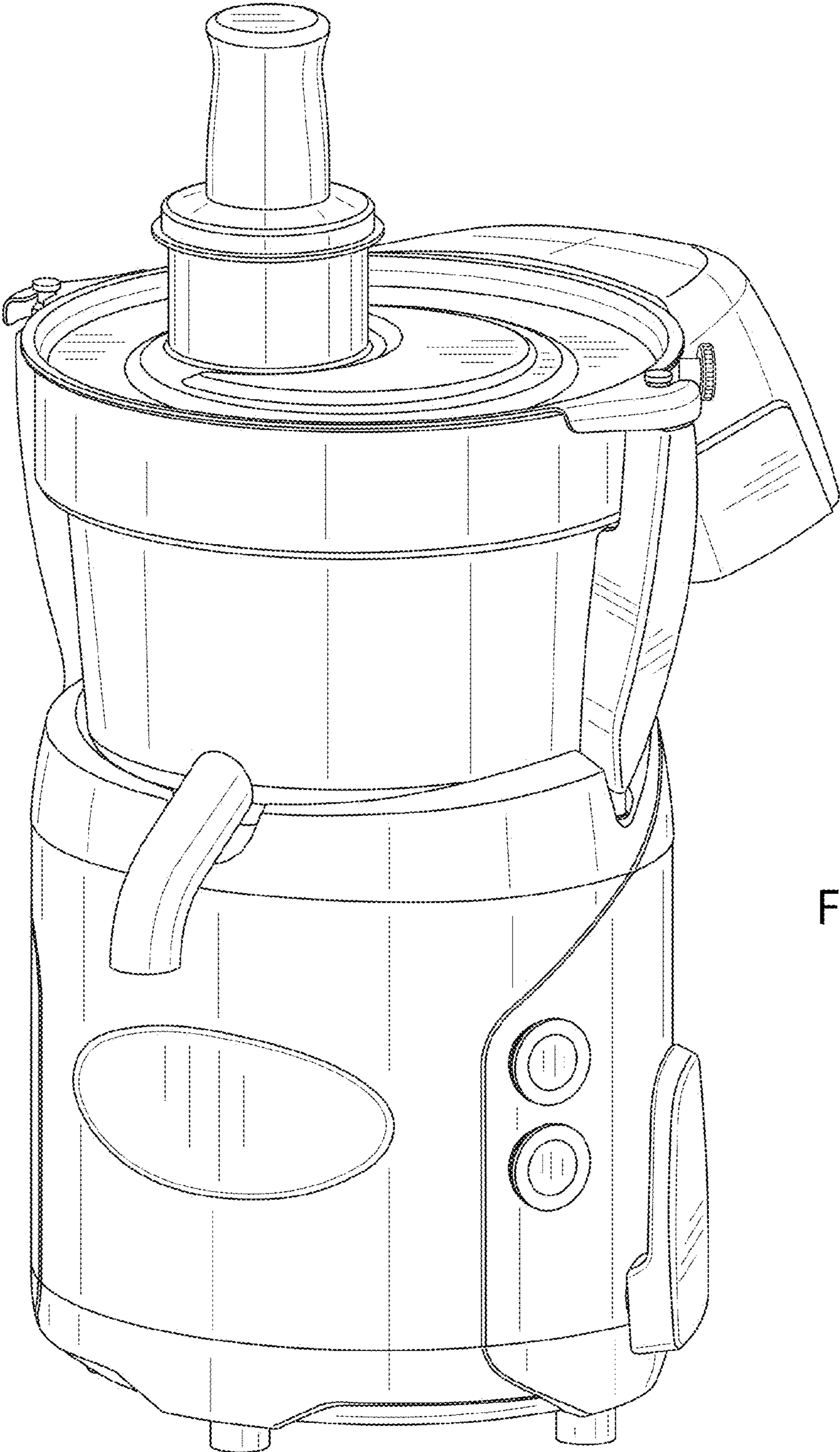


FIG. 1

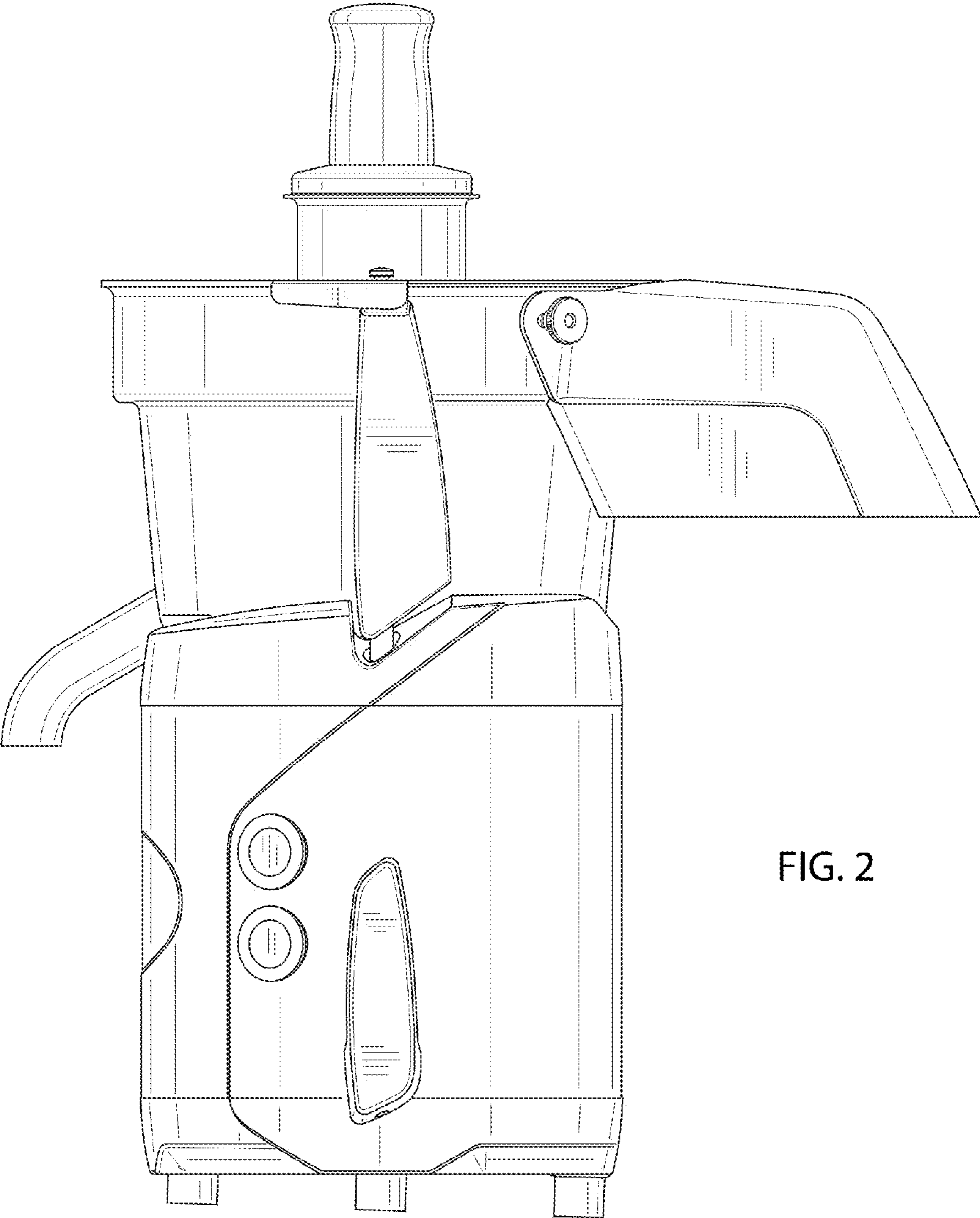


FIG. 2

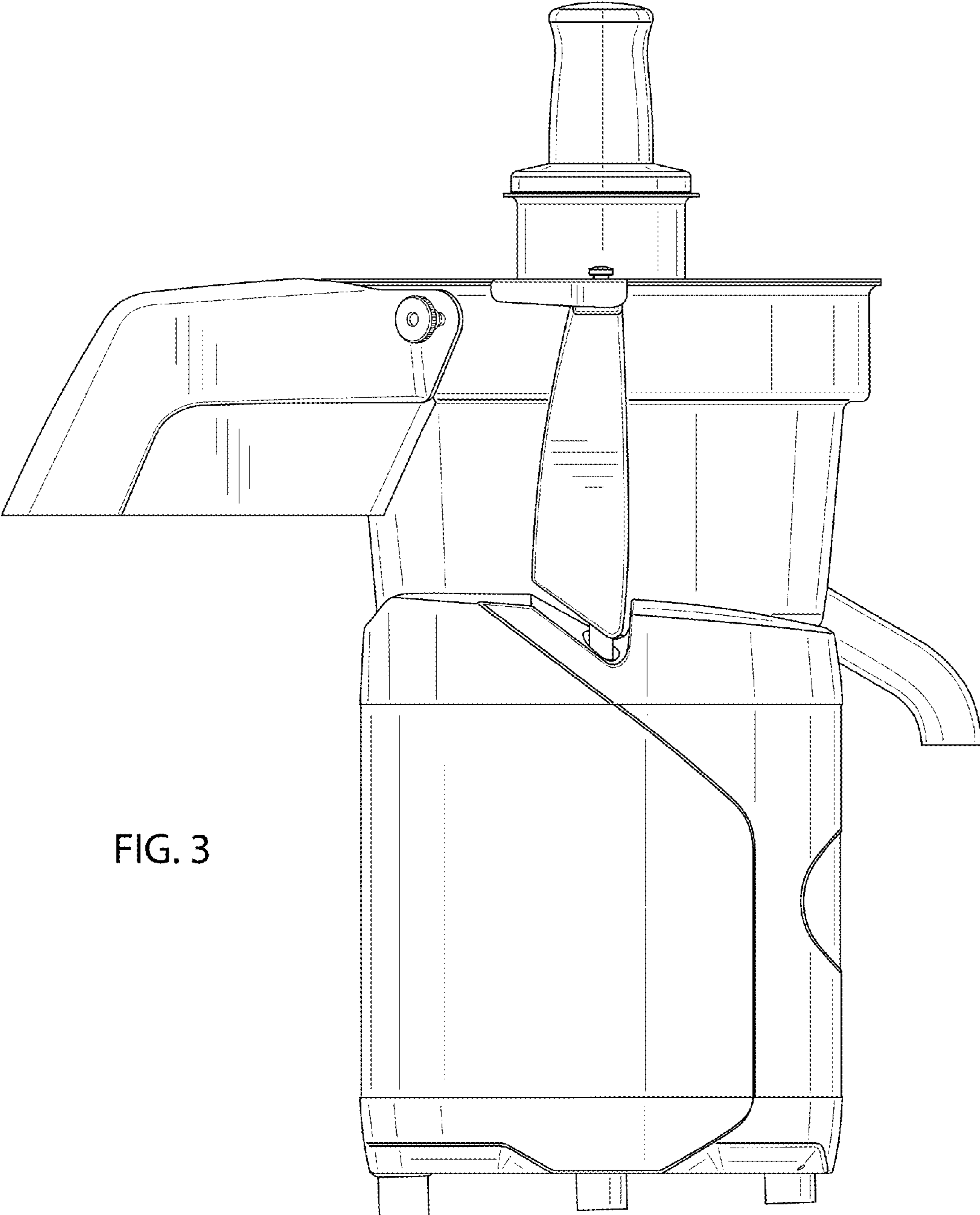


FIG. 3

FIG. 4

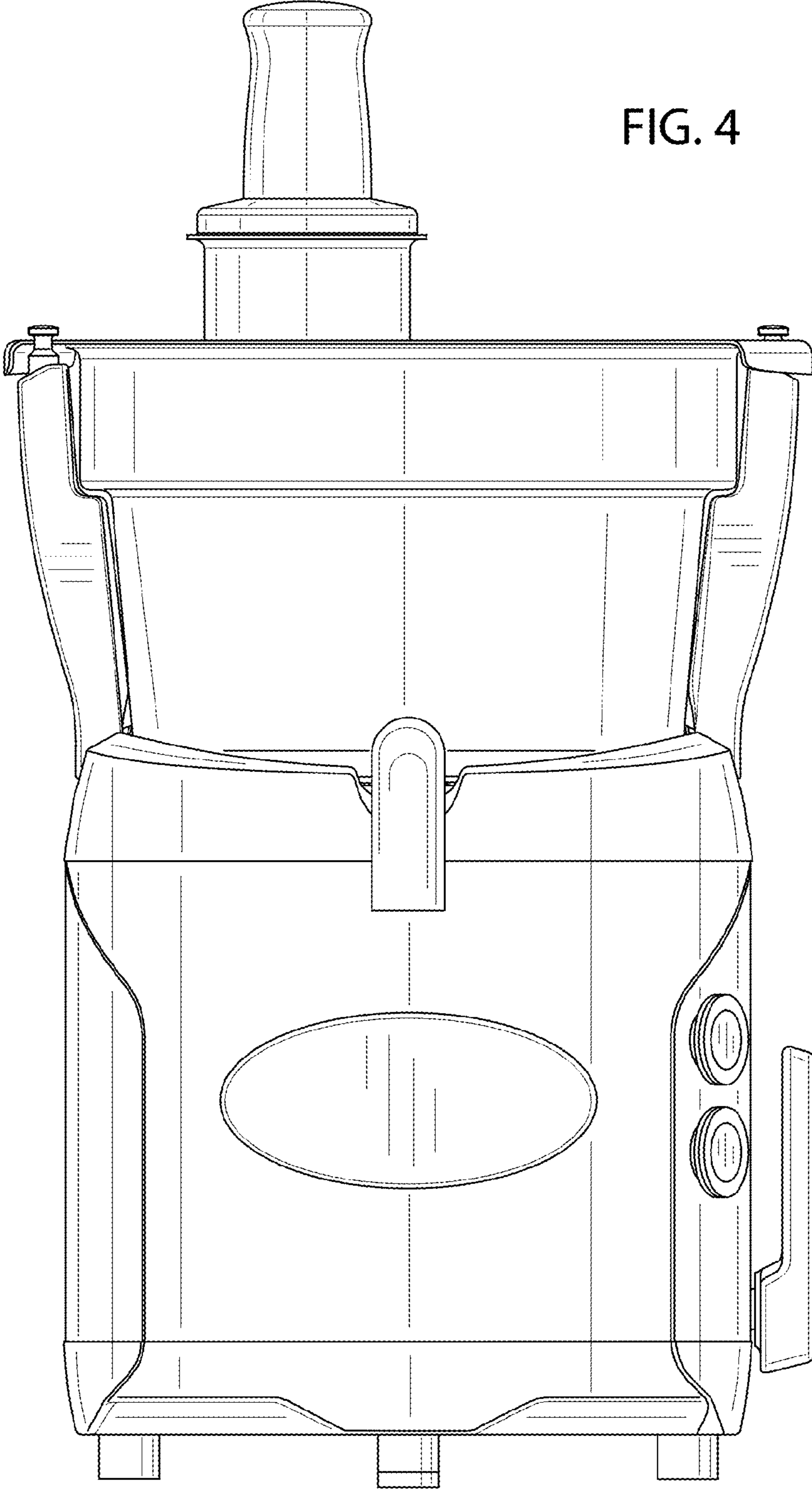
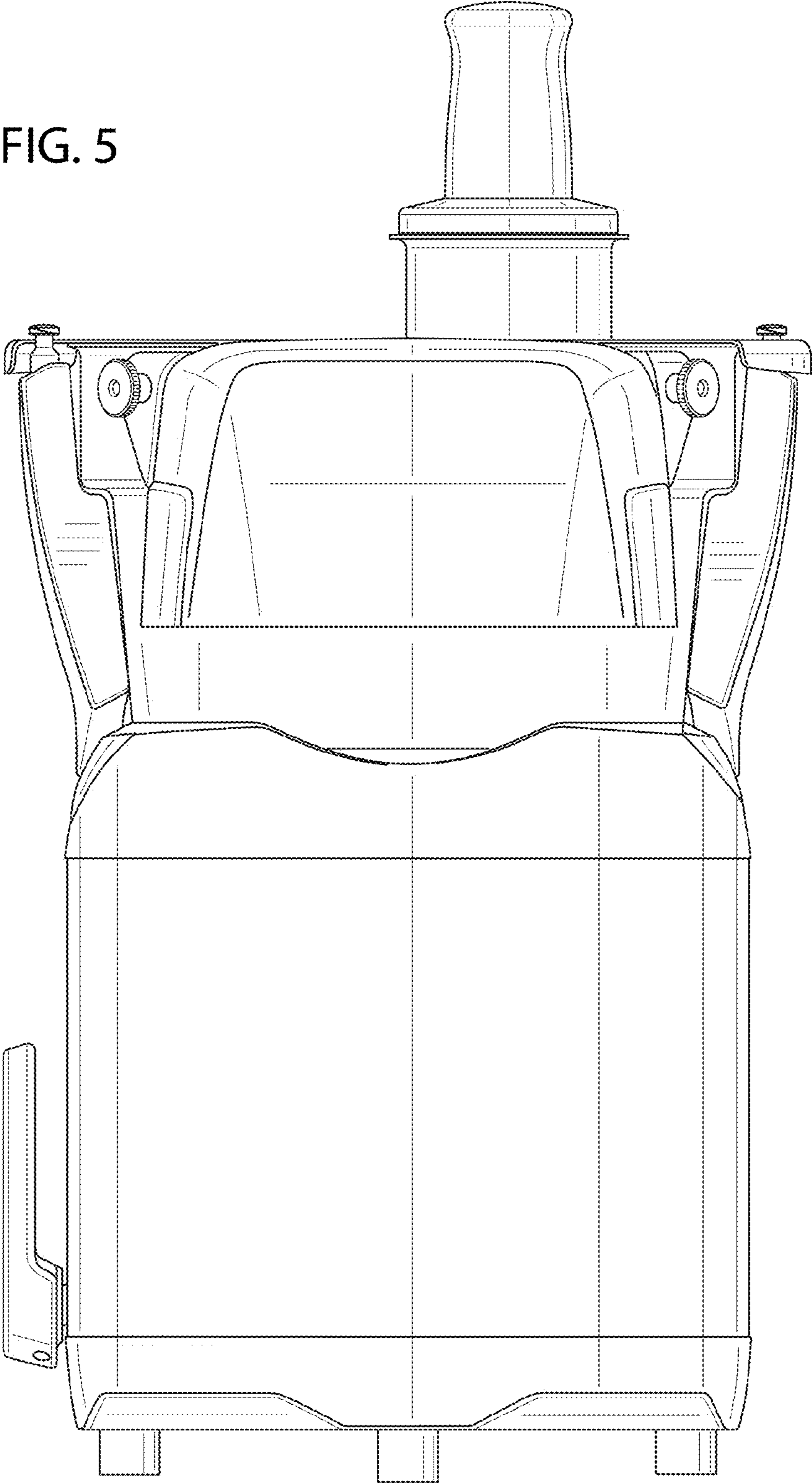


FIG. 5



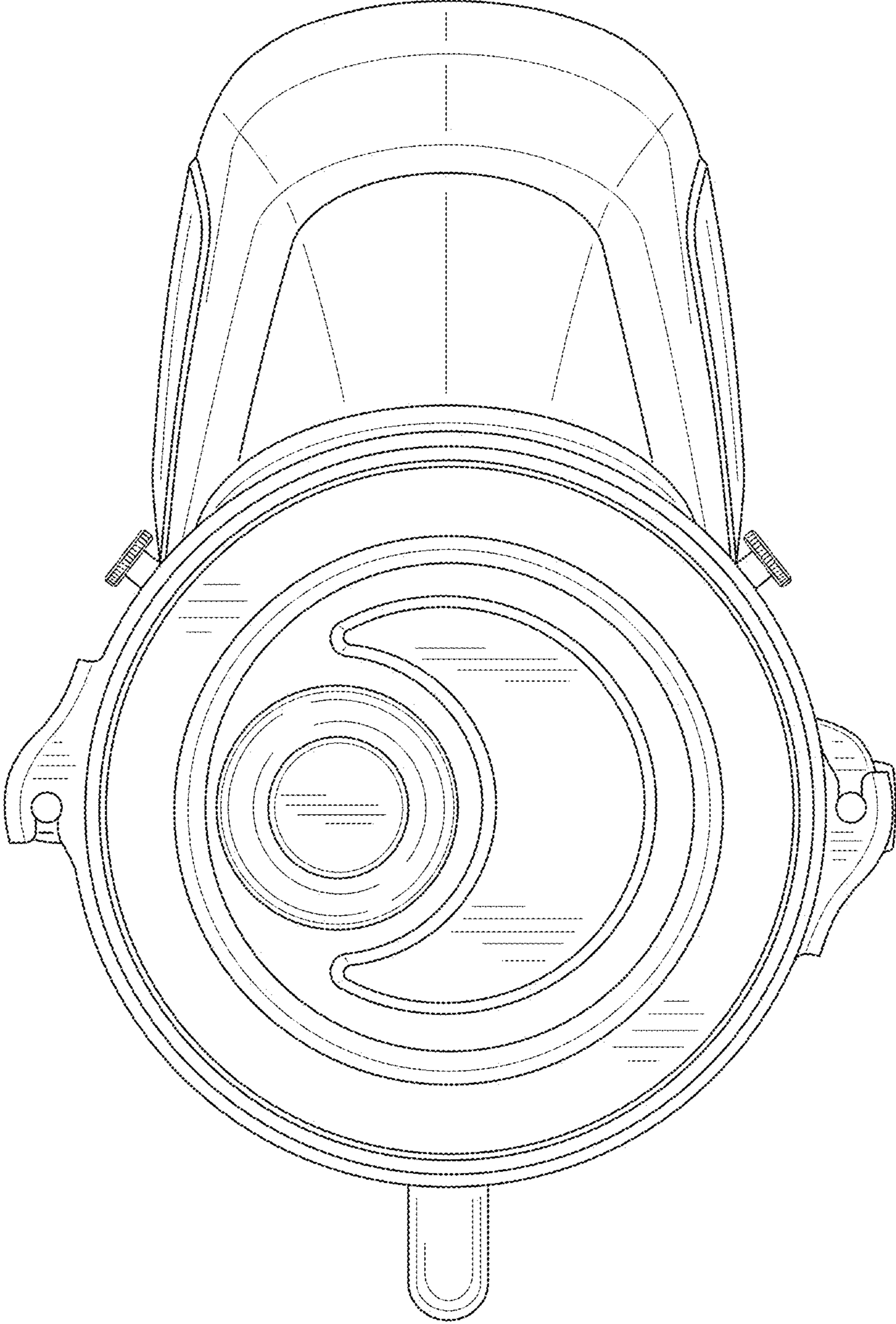


FIG. 6

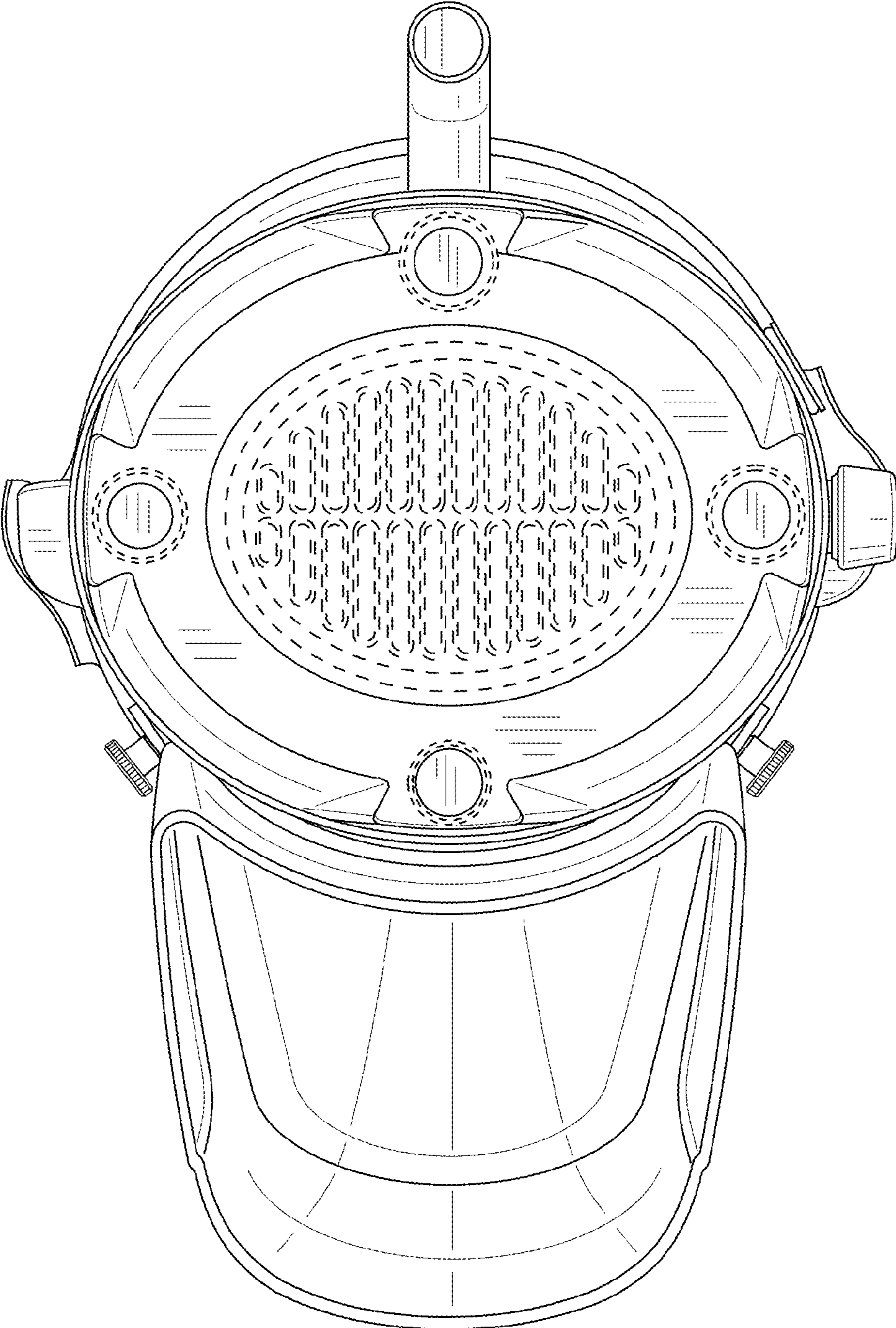


FIG. 7