



US00D740618S

(12) **United States Design Patent**  
**Knoll**

(10) **Patent No.:** **US D740,618 S**

(45) **Date of Patent:** **\*\* Oct. 13, 2015**

(54) **BEVERAGE CAN HOLDER**

(71) Applicant: **James Knoll**, Bushland, TX (US)

(72) Inventor: **James Knoll**, Bushland, TX (US)

(\*\*) Term: **14 Years**

(21) Appl. No.: **29/491,091**

(22) Filed: **May 16, 2014**

(51) **LOC (10) Cl.** ..... **07-06**

(52) **U.S. Cl.**  
USPC ..... **D7/622**

(58) **Field of Classification Search**  
USPC ..... D7/619.1-625; D9/499, 455, 434, 436,  
D9/443; 215/392-396, 399, 11.6; 294/170,  
294/27.1, 29, 31.2, 32, 31.1; 211/74;  
248/309.1, 311.2, 312; 220/737-739,  
220/758, 759  
CPC ..... A45F 5/10; A61J 9/06; B65D 23/106;  
A47G 23/0266; A47G 23/0241  
See application file for complete search history.

(56) **References Cited**

**U.S. PATENT DOCUMENTS**

2,981,562 A \* 4/1961 Long ..... 294/31.2  
3,979,011 A \* 9/1976 Schleicher ..... 220/742  
D287,451 S \* 12/1986 Schrock ..... D7/622  
D395,825 S \* 7/1998 Freitas ..... D9/455

6,720,496 B1 5/2004 Kenny  
D512,272 S \* 12/2005 Avrish ..... D7/601  
7,458,921 B2 \* 12/2008 Hallar ..... 482/106  
D615,366 S \* 5/2010 Berezansky ..... D7/622  
2005/0109725 A1 \* 5/2005 Stewart et al. .... 215/11.6

\* cited by examiner

*Primary Examiner* — Terry Wallace

(74) *Attorney, Agent, or Firm* — Charles D. Gunter, Jr.

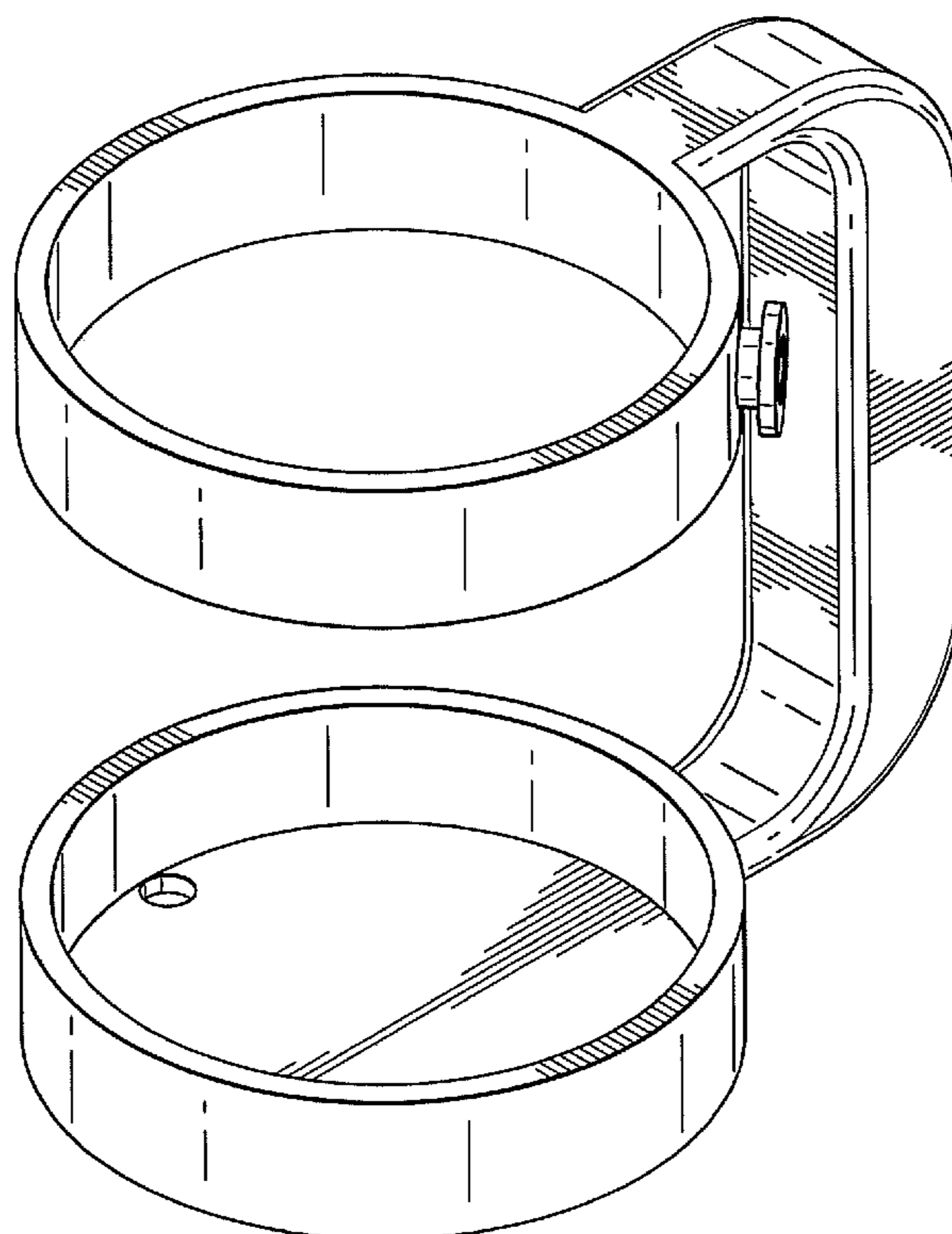
(57) **CLAIM**

The ornamental design for a beverage can holder, as shown and described.

**DESCRIPTION**

FIG. 1 is a front, perspective view of the beverage can holder of the invention;  
FIG. 2 is a front view of the beverage can holder of FIG. 1;  
FIG. 3 is a rear view of the beverage can holder of FIG. 1;  
FIG. 4 is a left, side view of the beverage can holder of the invention;  
FIG. 5 is a right, side view of the beverage can holder of the invention;  
FIG. 6 is a top view of the beverage can holder of the invention;  
FIG. 7 is a bottom view of the beverage can holder of the invention; and,  
FIG. 8 is a bottom, perspective view of the beverage can holder of the invention.

**1 Claim, 5 Drawing Sheets**



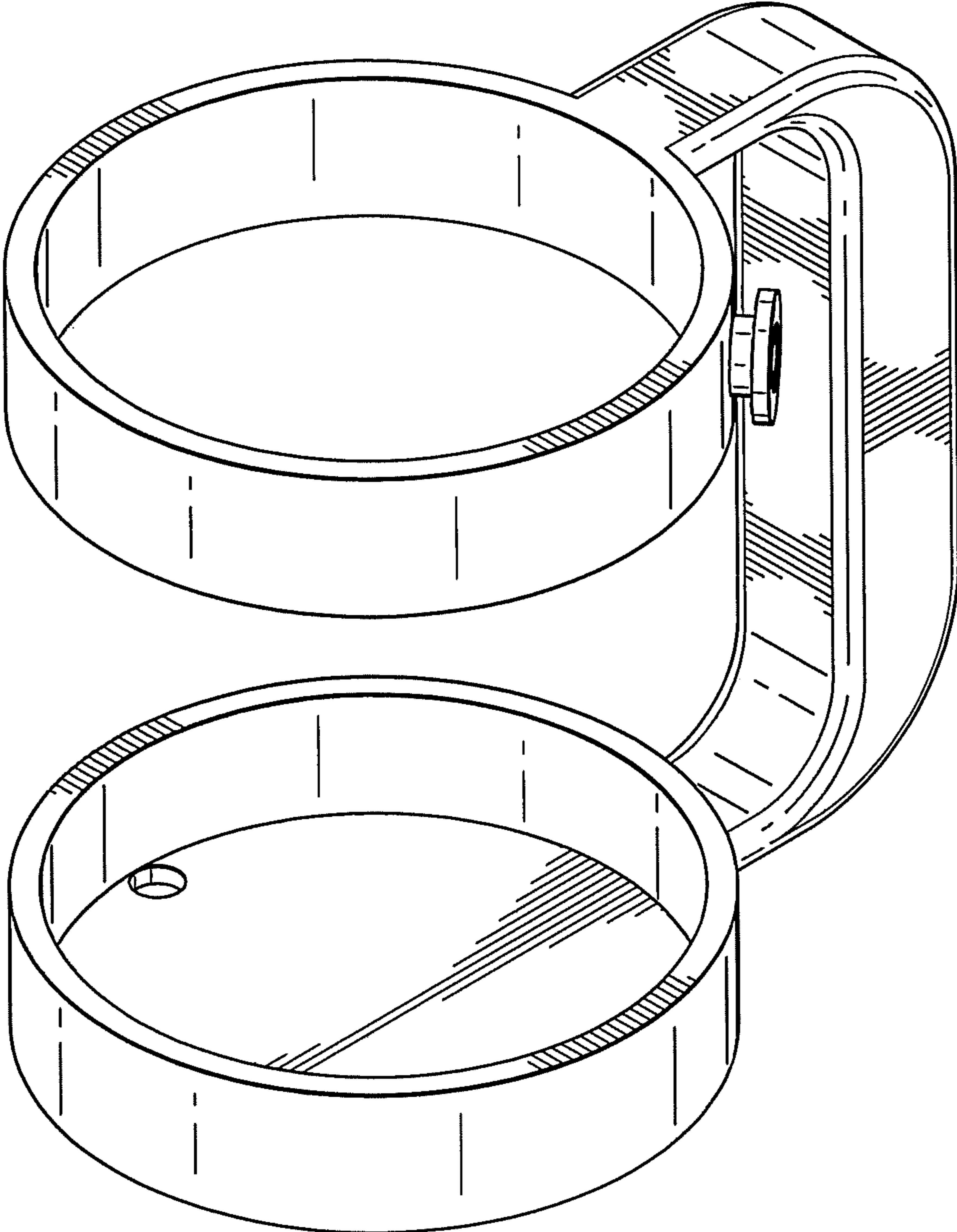


FIG. 1

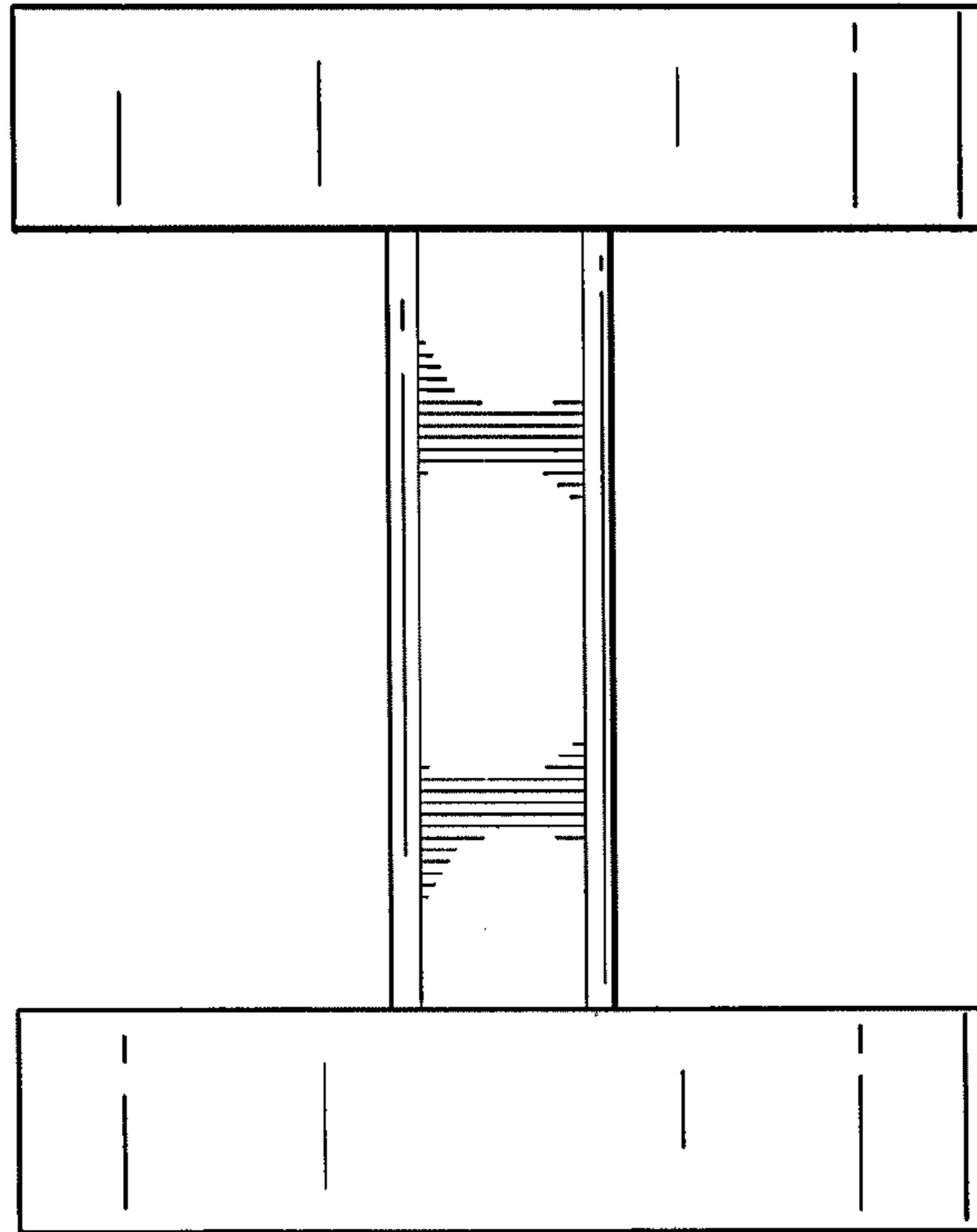


FIG. 2

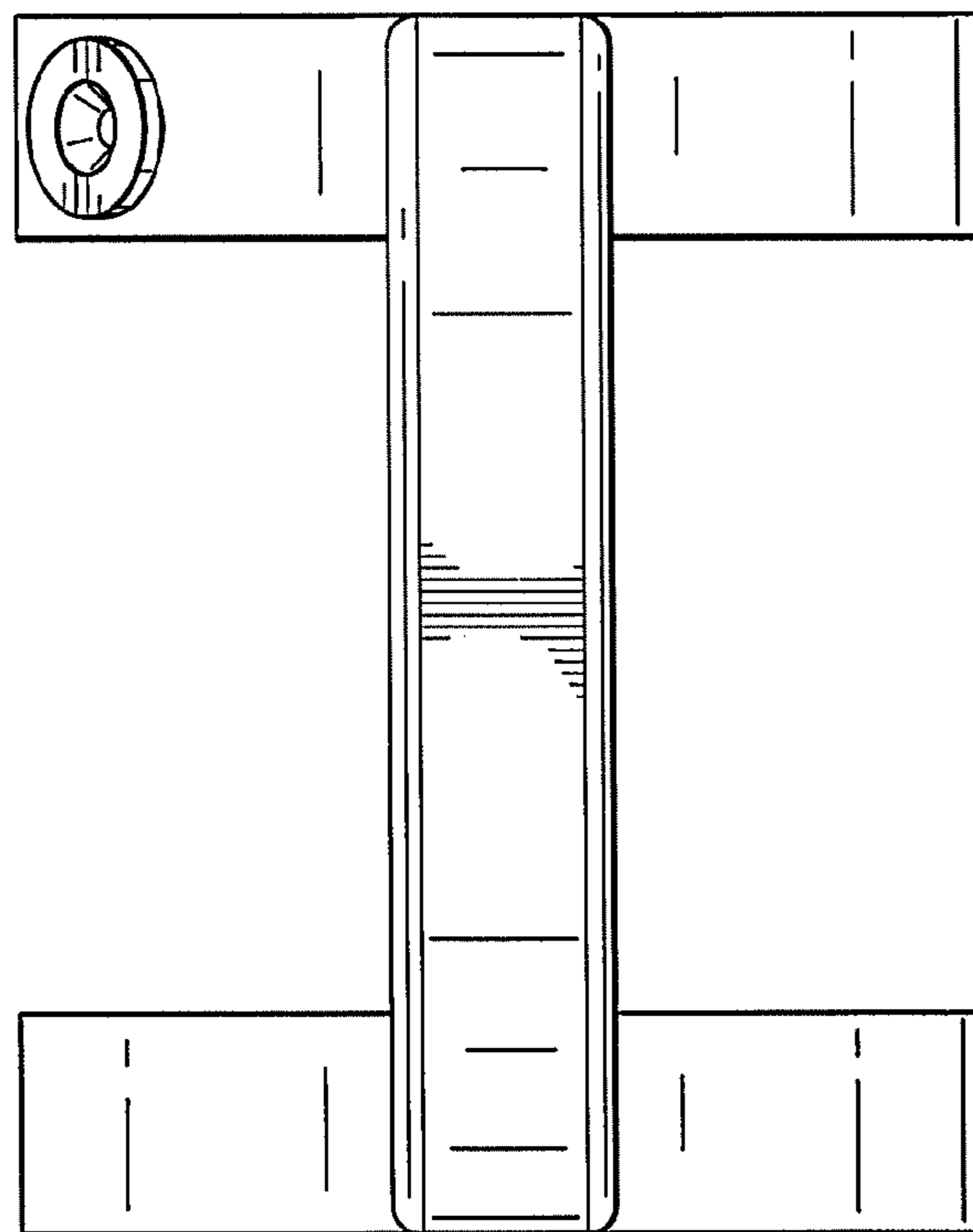


FIG. 3

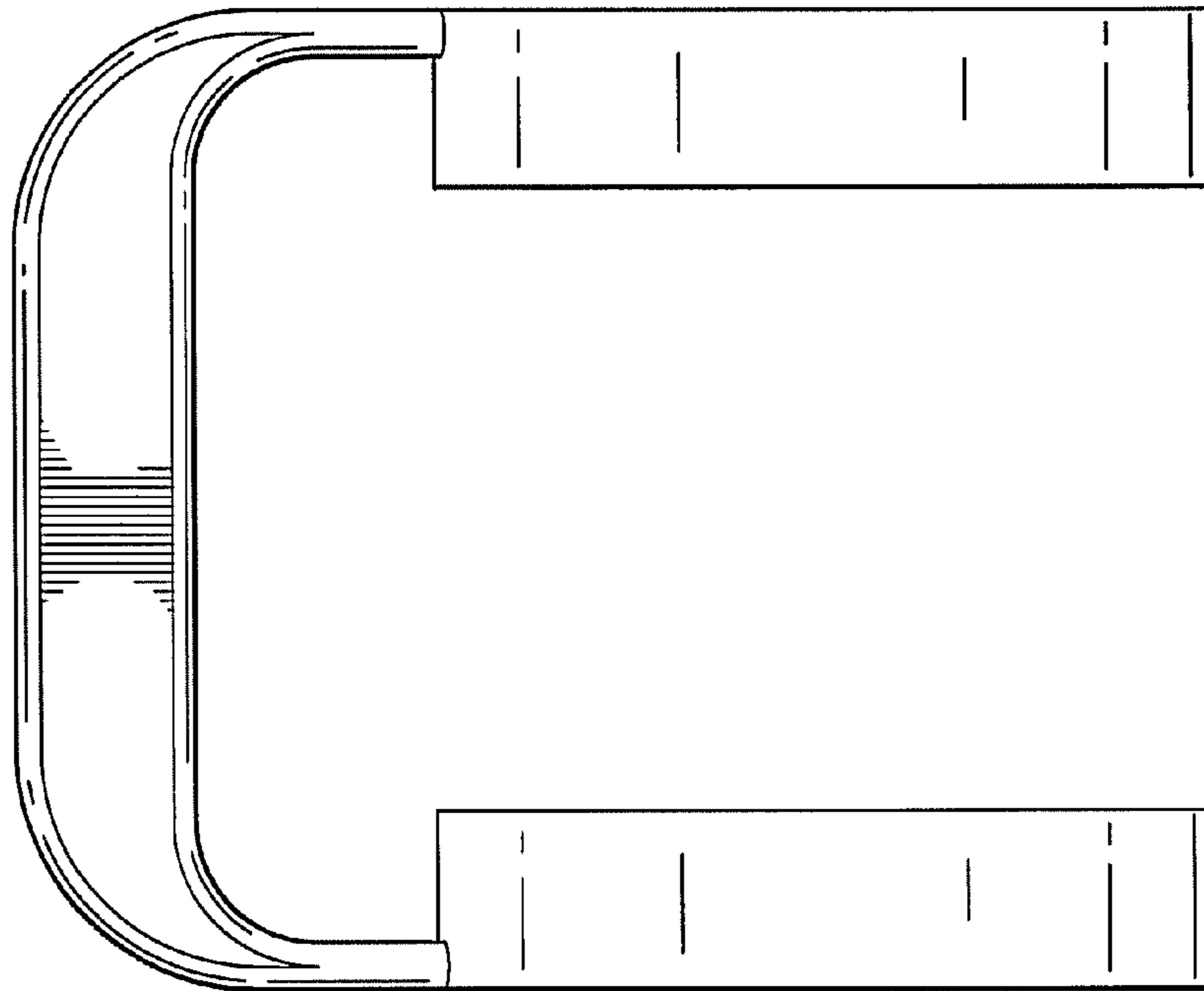


FIG. 4

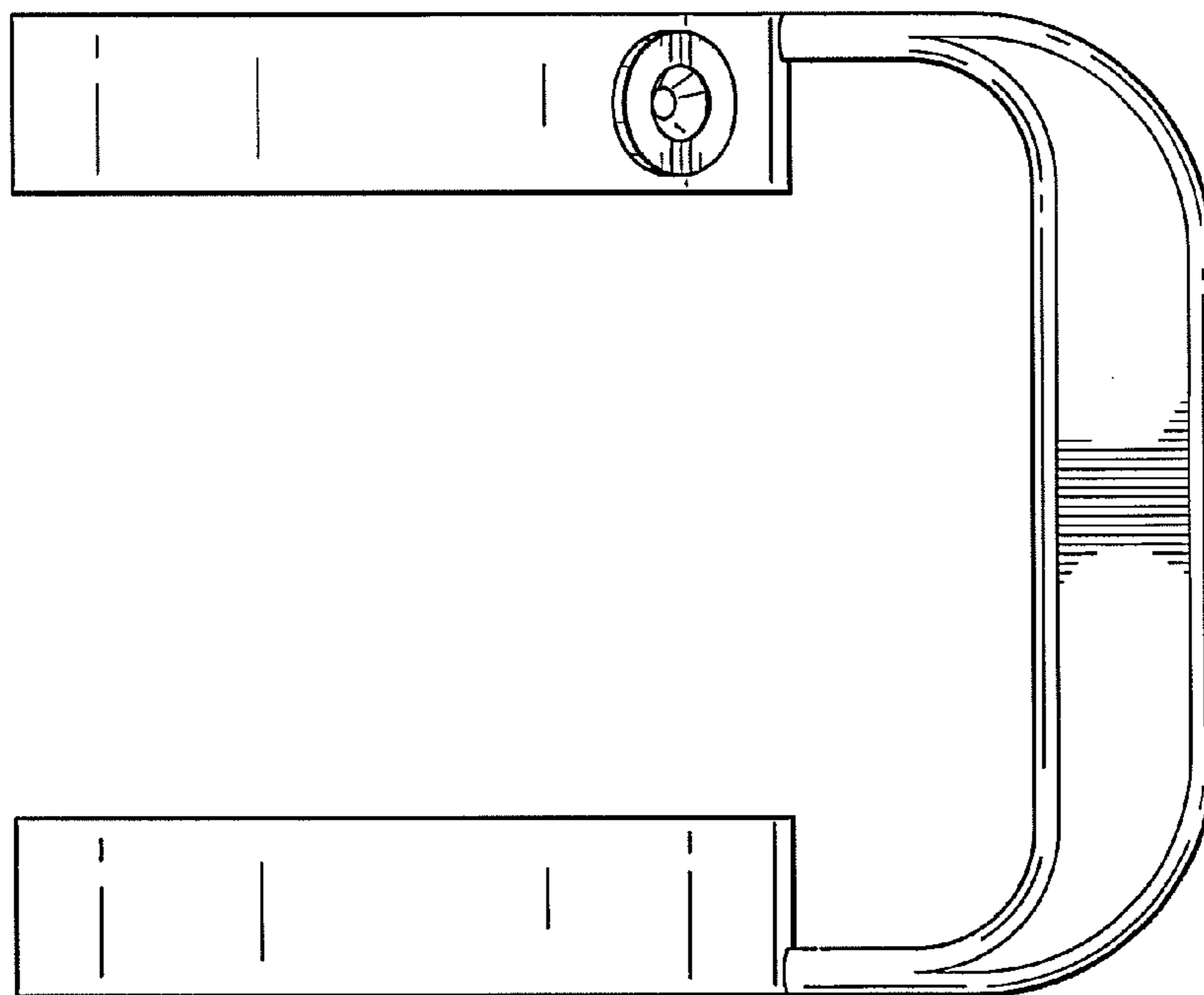


FIG. 5

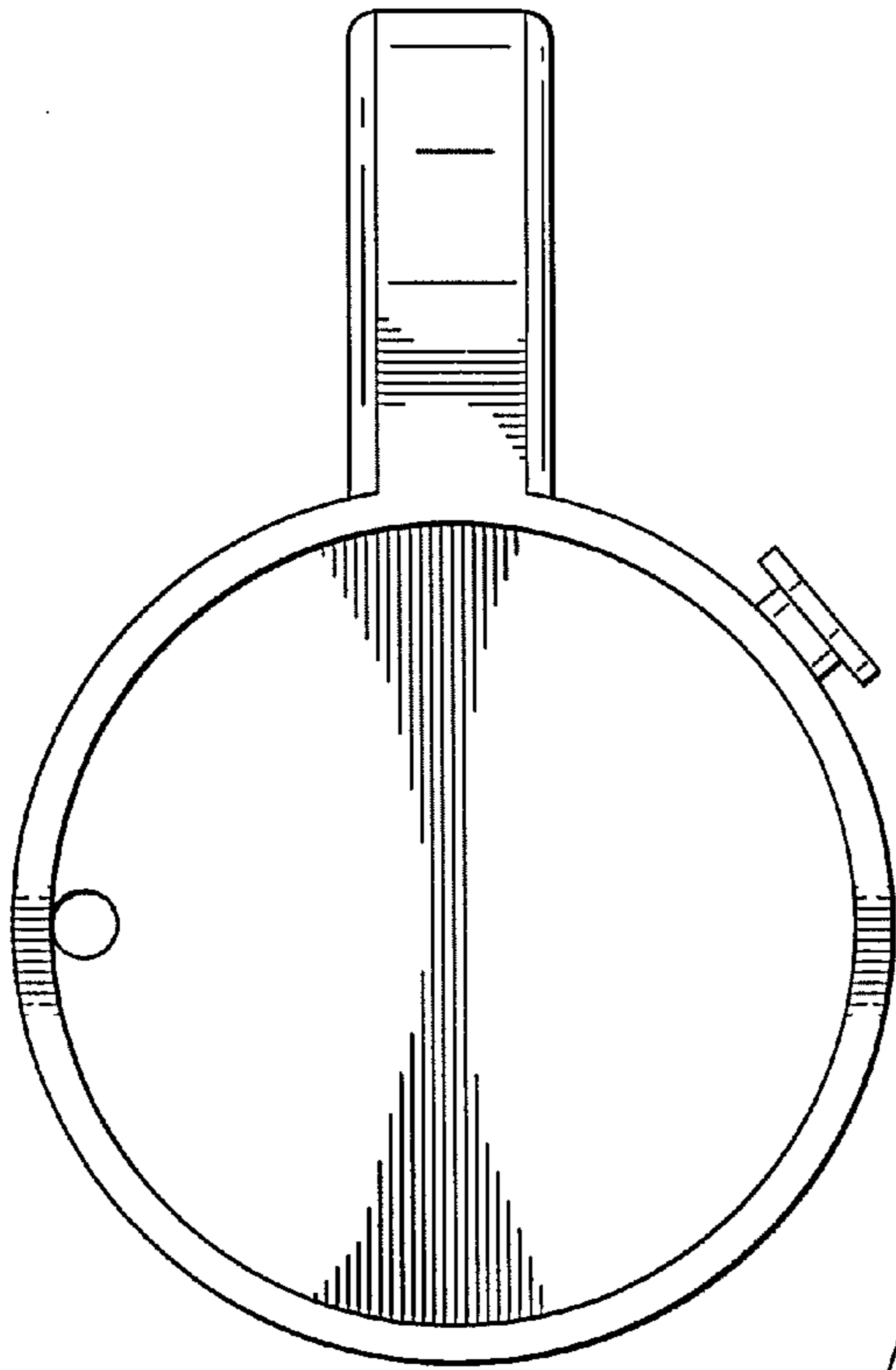


FIG. 6

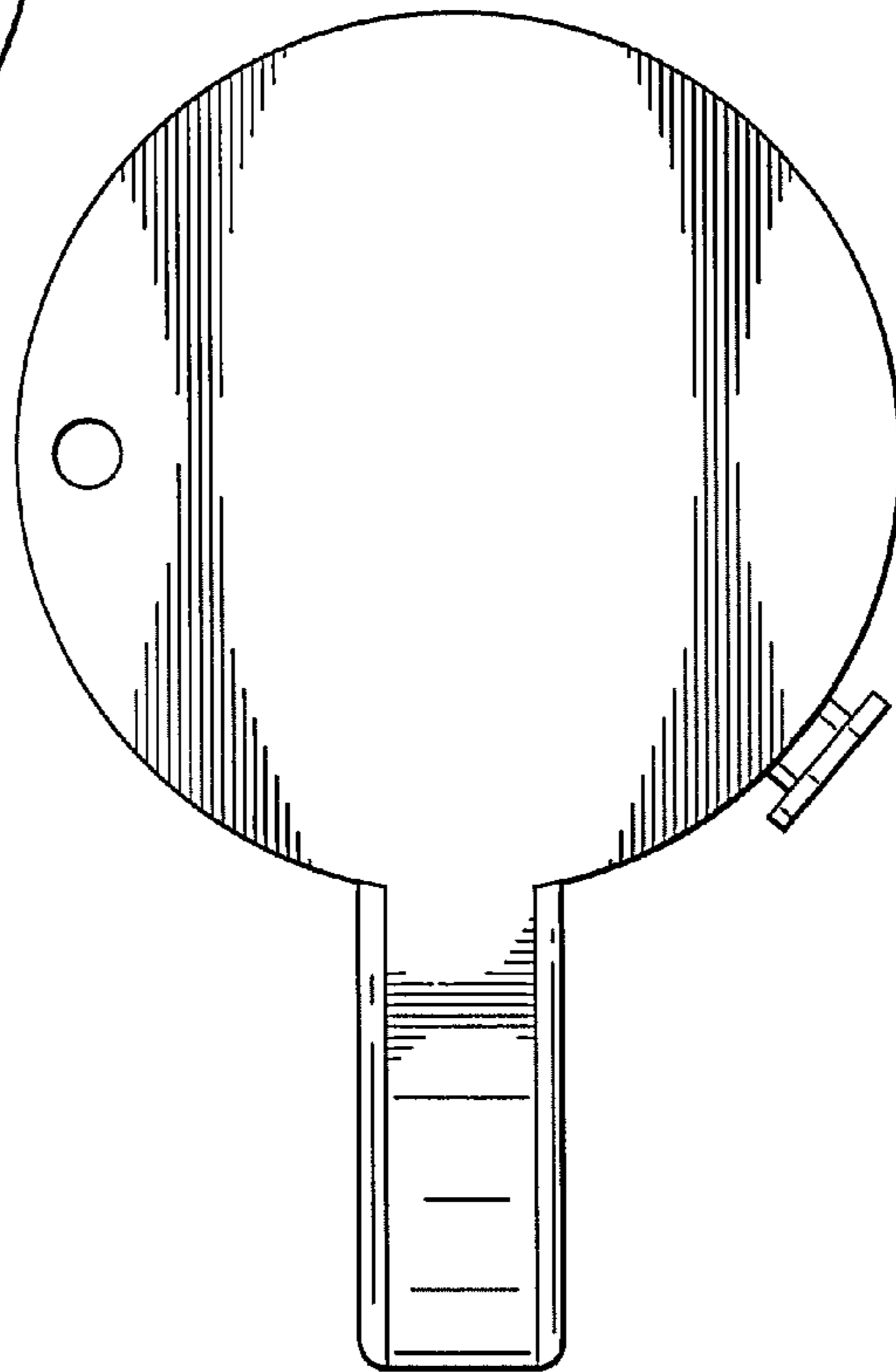


FIG. 7

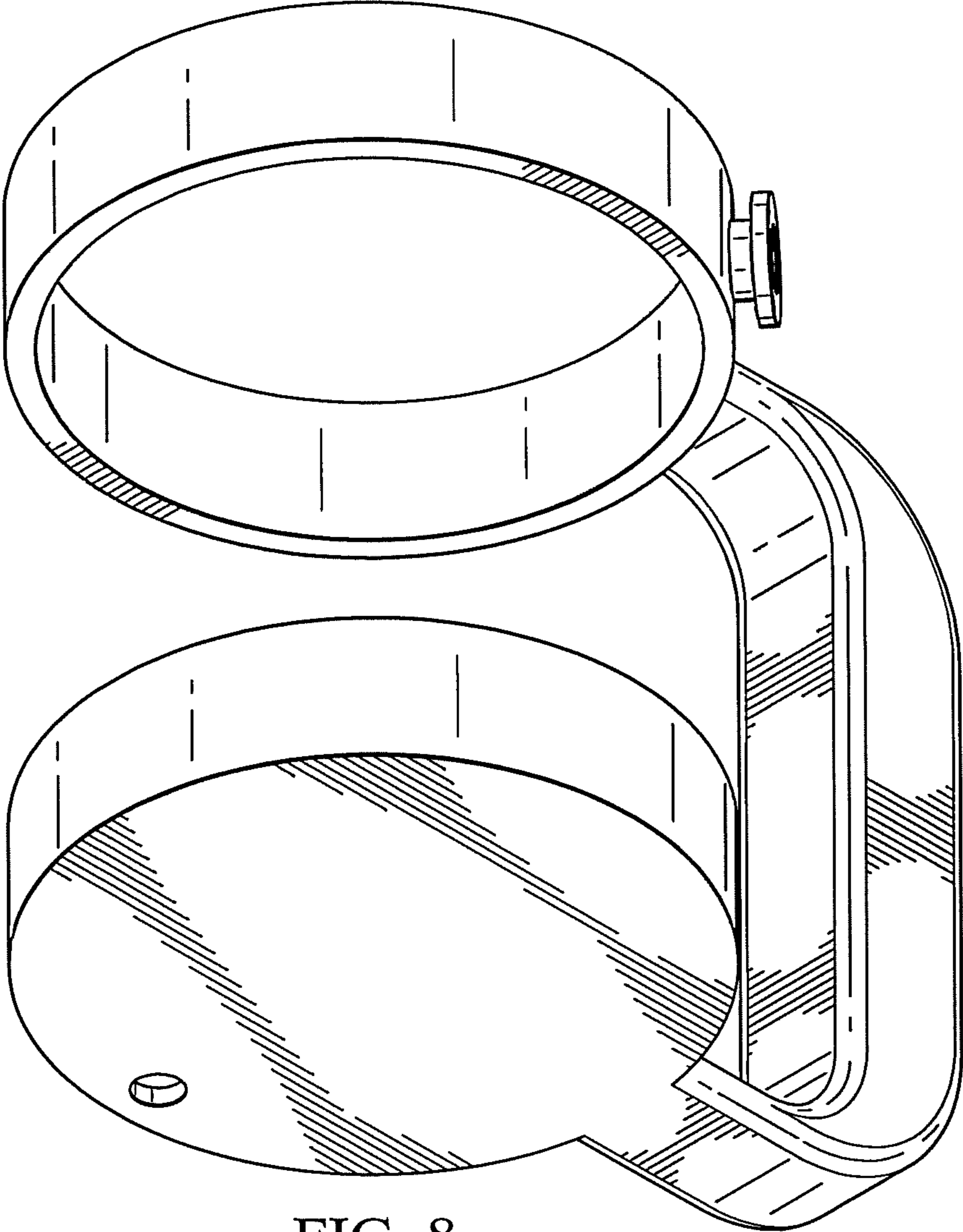


FIG. 8