



US00D740615S

(12) **United States Design Patent**
Shoshan et al.

(10) **Patent No.:** **US D740,615 S**
(45) **Date of Patent:** **** Oct. 13, 2015**

- (54) **TRAY**
- (71) Applicants: **Direct Pack, Inc.**, Sun Valley, CA (US);
FiveStar Gourmet Foods, Inc., Ontario,
CA (US)
- (72) Inventors: **Tal Shoshan**, Alta Loma, CA (US);
Gandhi B. Sifuentes, West Covina, CA
(US); **Kevin-Dirk Pesirla Closas**,
Colton, CA (US)
- (73) Assignees: **Direct Pack, Inc.**, Azusa, CA (US);
FiveStar Gourmet Foods, Inc., Ontario,
CA (US)

D619,000	S	*	7/2010	Scheve	D9/436
7,762,396	B1	*	7/2010	Yang et al.	206/427
D625,994	S	*	10/2010	Krupa	D9/424
D670,136	S	*	11/2012	Williams et al.	D7/587
D691,855	S	*	10/2013	Dabney-Wiggs	D7/553.2
D698,665	S		2/2014	Sifuentes et al.		
D698,666	S		2/2014	Sifuentes et al.		
D705,083	S	*	5/2014	Slattery	D9/755
D713,208	S	*	9/2014	Clark	D7/553.5
D731,248	S	*	6/2015	Breton	D7/553.2
D734,098	S	*	7/2015	Breton	D7/553.6
D734,205	S	*	7/2015	DeYoung et al.	D11/152
D734,641	S	*	7/2015	Ginsburg	D7/545
D734,985	S	*	7/2015	Furia	D7/400
D735,531	S	*	8/2015	Wilson et al.	D7/505

- (**) Term: **14 Years**
- (21) Appl. No.: **29/507,586**
- (22) Filed: **Oct. 29, 2014**
- (51) **LOC (10) Cl.** **07-01**
- (52) **U.S. Cl.**
USPC **D7/553.2**
- (58) **Field of Classification Search**
USPC D7/396.4, 501, 505, 571, 538, 540,
D7/541-543, 545, 546, 549, 552.1, 553,
D7/553.1, 553.2, 553.6, 554.2; D9/424,
D9/432, 716, 719, 738-740, 744-745, 756,
D9/759-760, 761; D30/130; 219/732;
220/500, 507, 553, 555
CPC B65D 1/34; B65D 21/00; B65D 21/0204
See application file for complete search history.

OTHER PUBLICATIONS

U.S. Appl. No. 29/478,774, filed Jan. 8, 2014.

* cited by examiner

Primary Examiner — Kelley Donnelly

(74) *Attorney, Agent, or Firm* — Frost Brown Todd LLC

(57) **CLAIM**

The ornamental design for a tray, as shown and described.

DESCRIPTION

FIG. 1 is a top perspective view of a tray, showing our new design;

FIG. 2 is a bottom perspective view thereof;

FIG. 3 is a front elevational view thereof;

FIG. 4 is a rear elevational view thereof;

FIG. 5 is a left elevational view thereof;

FIG. 6 is a right elevational view thereof;

FIG. 7 is a top plan view thereof; and,

FIG. 8 is a bottom plan view thereof.

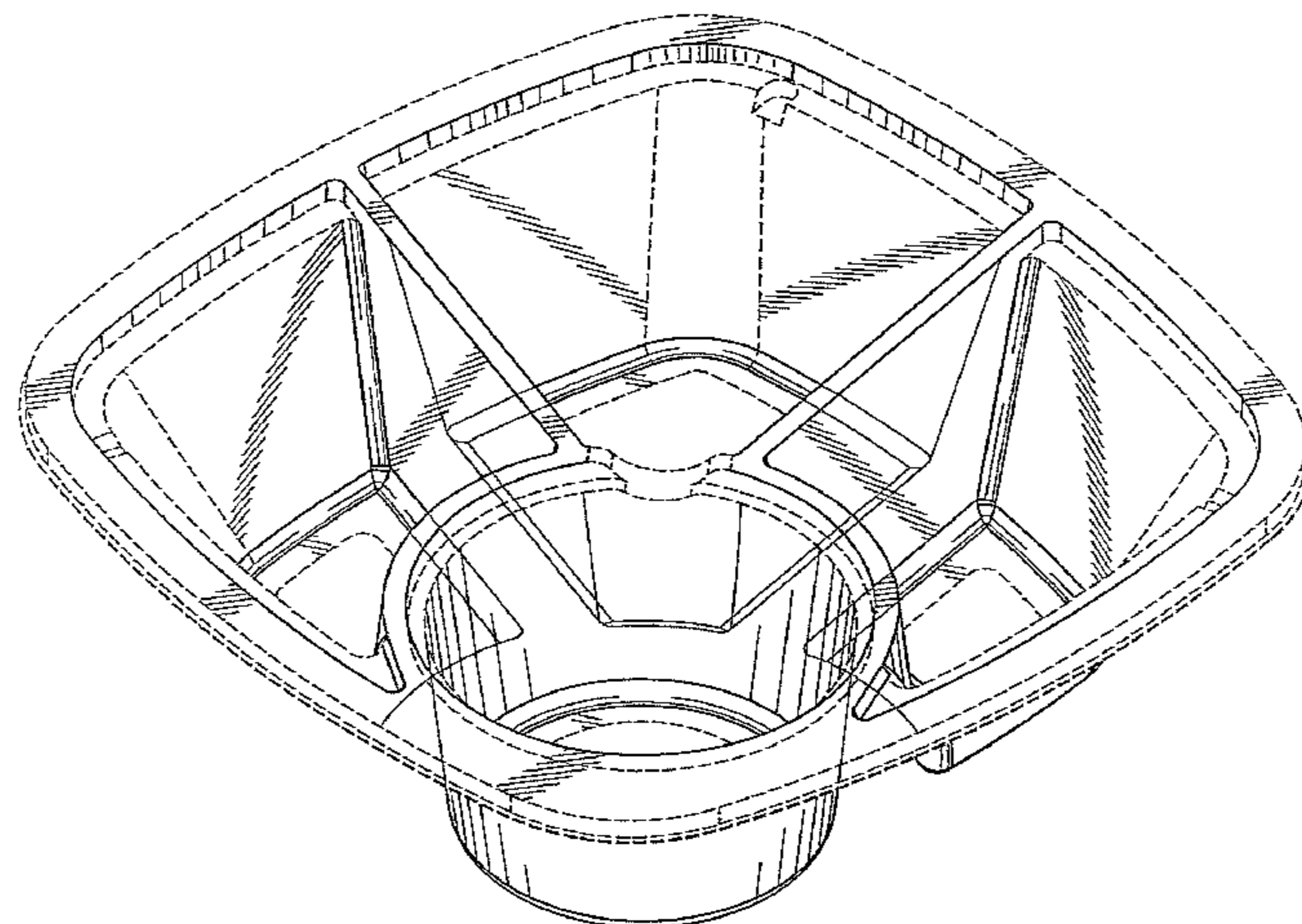
The protrusions, recesses, and other portions of the tray shown in broken lines are unclaimed environment, and form no part of the claimed design.

(56) **References Cited**

U.S. PATENT DOCUMENTS

5,421,459	A	*	6/1995	Mazzotti	206/549
6,036,020	A	*	3/2000	Distler	206/564
D426,110	S	*	6/2000	Schmidt	D7/553.4
D614,047	S	*	4/2010	Landry	D9/755

1 Claim, 8 Drawing Sheets



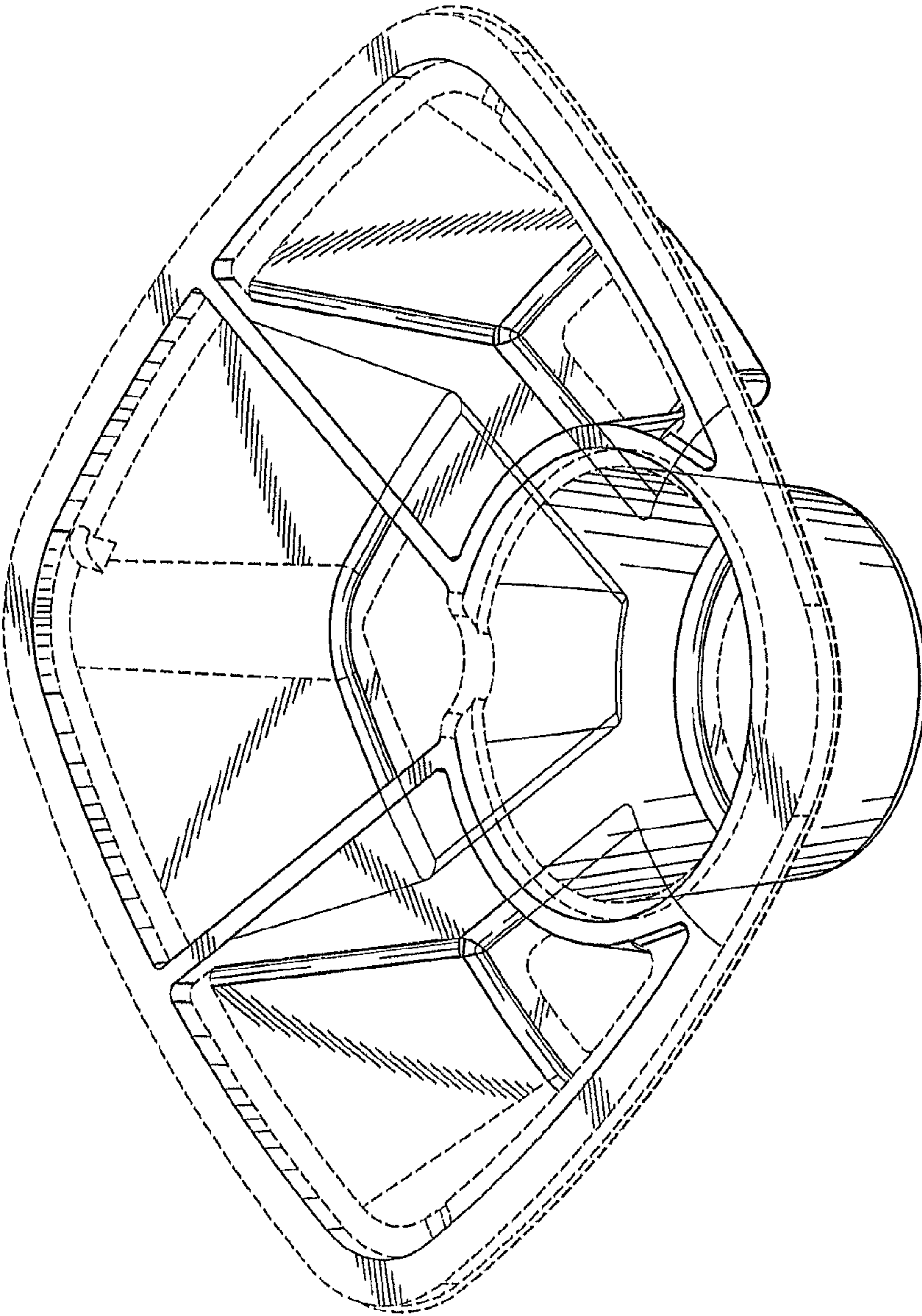


Fig.1

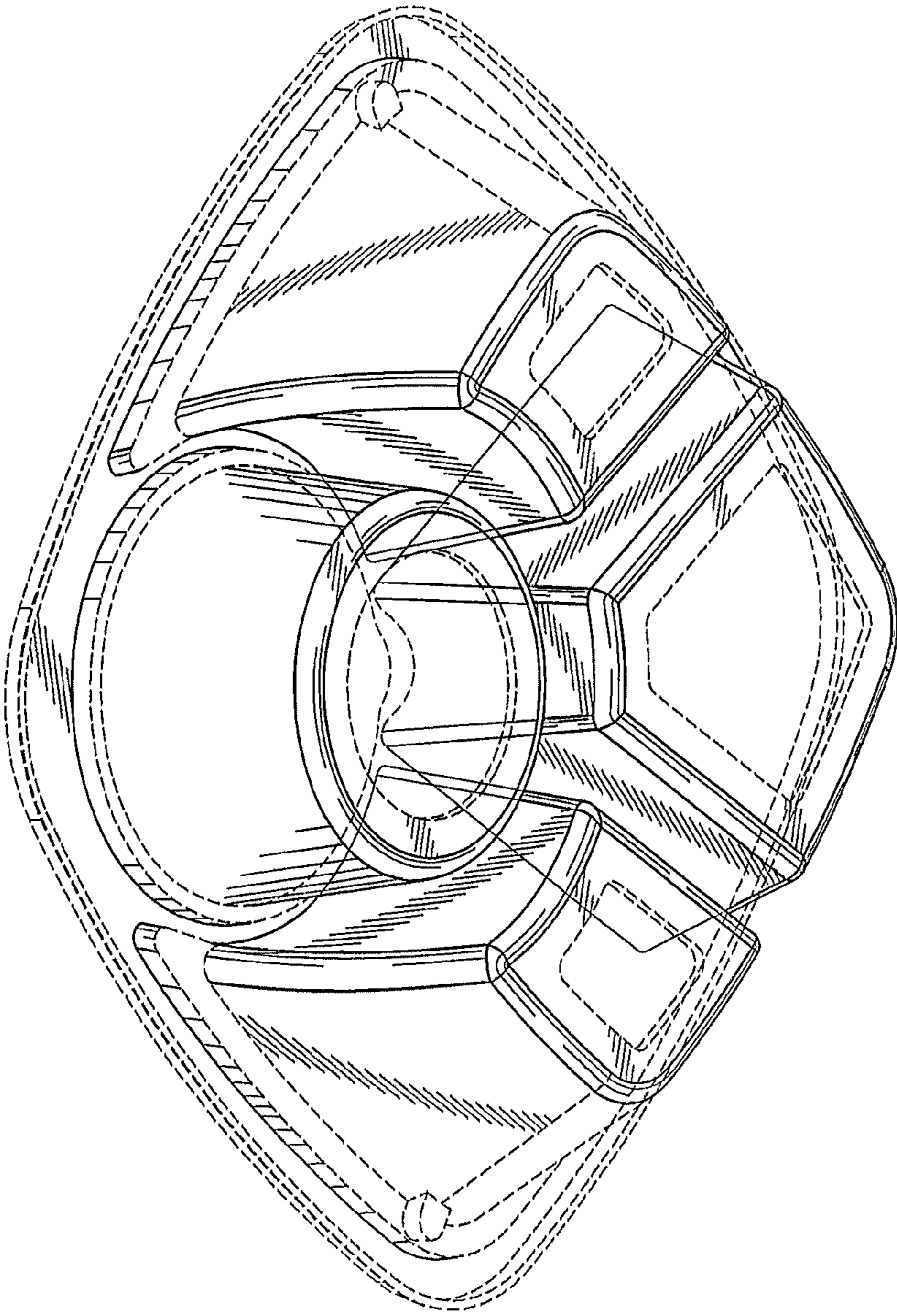


Fig. 2

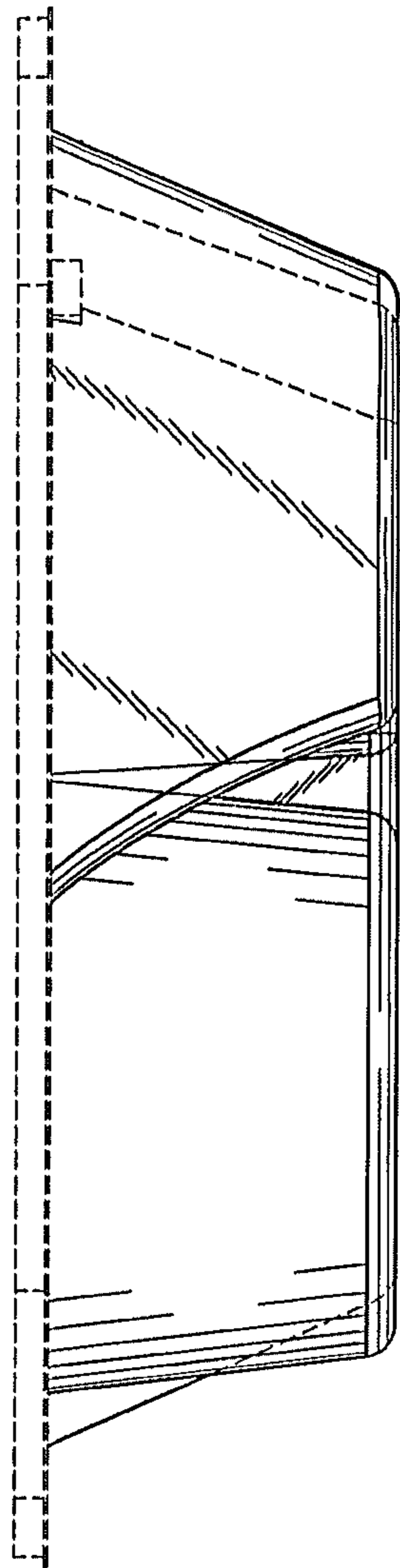


Fig. 3

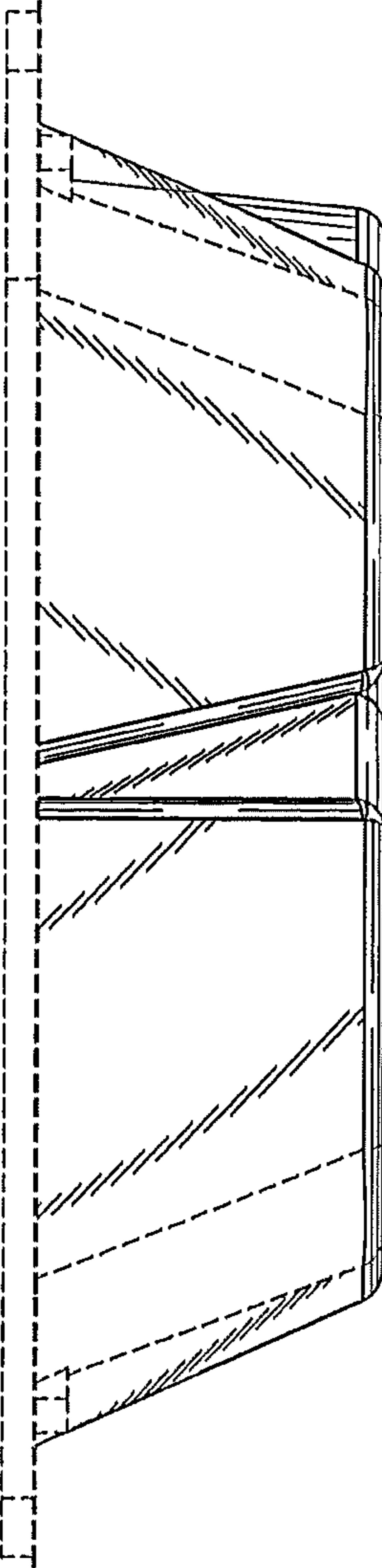


Fig. 4

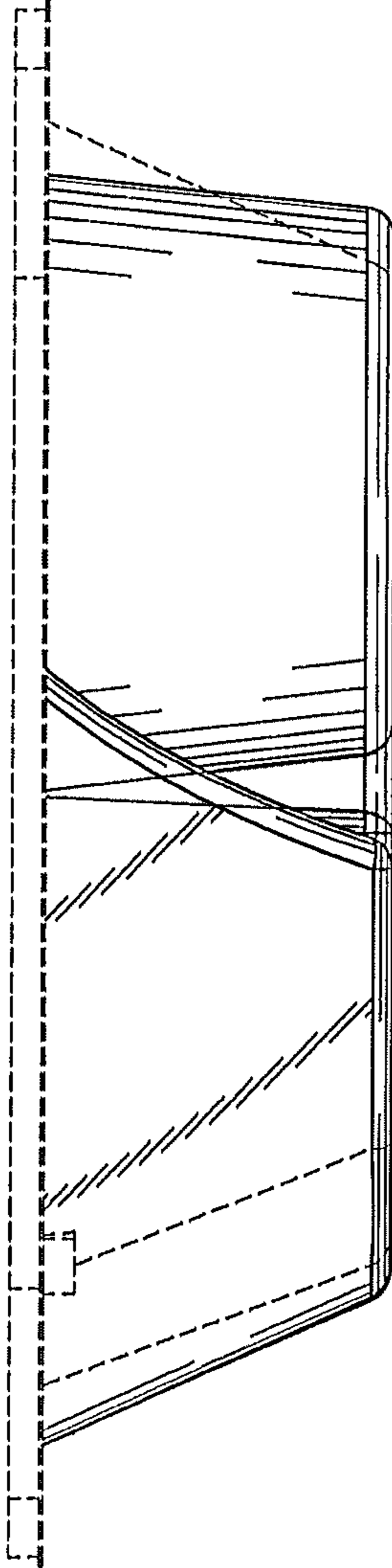


Fig.5

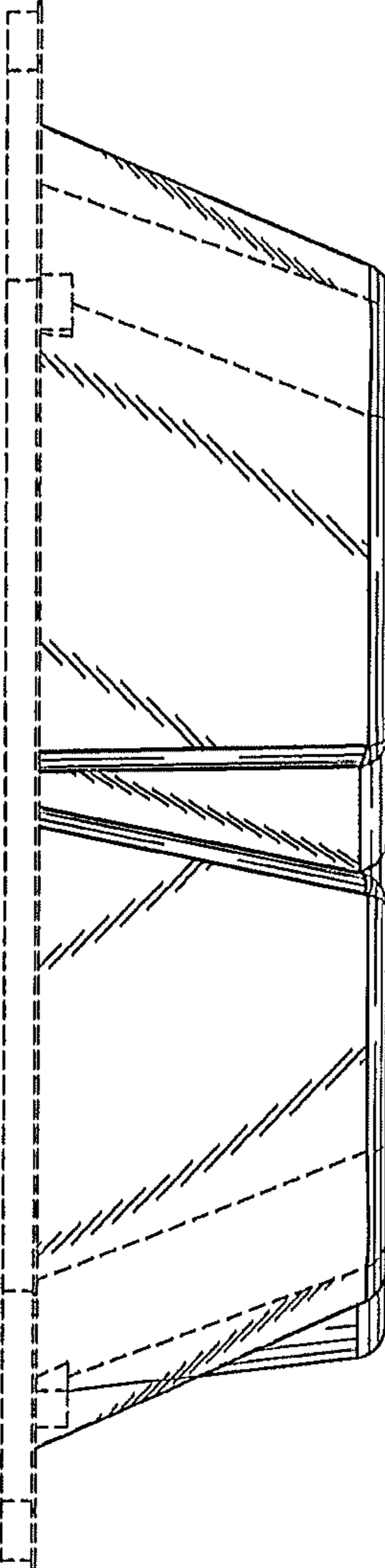


Fig. 6

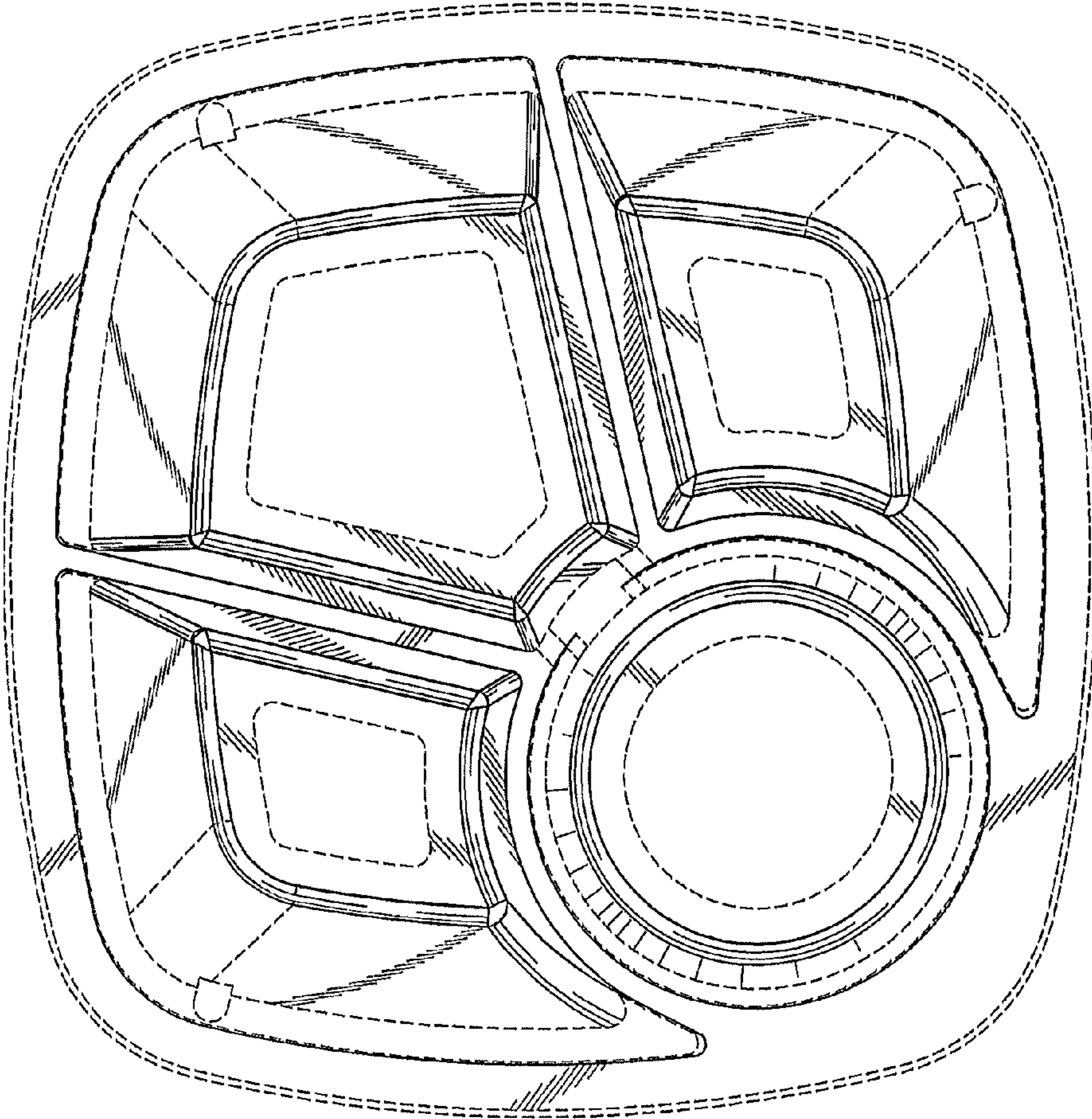


Fig. 7

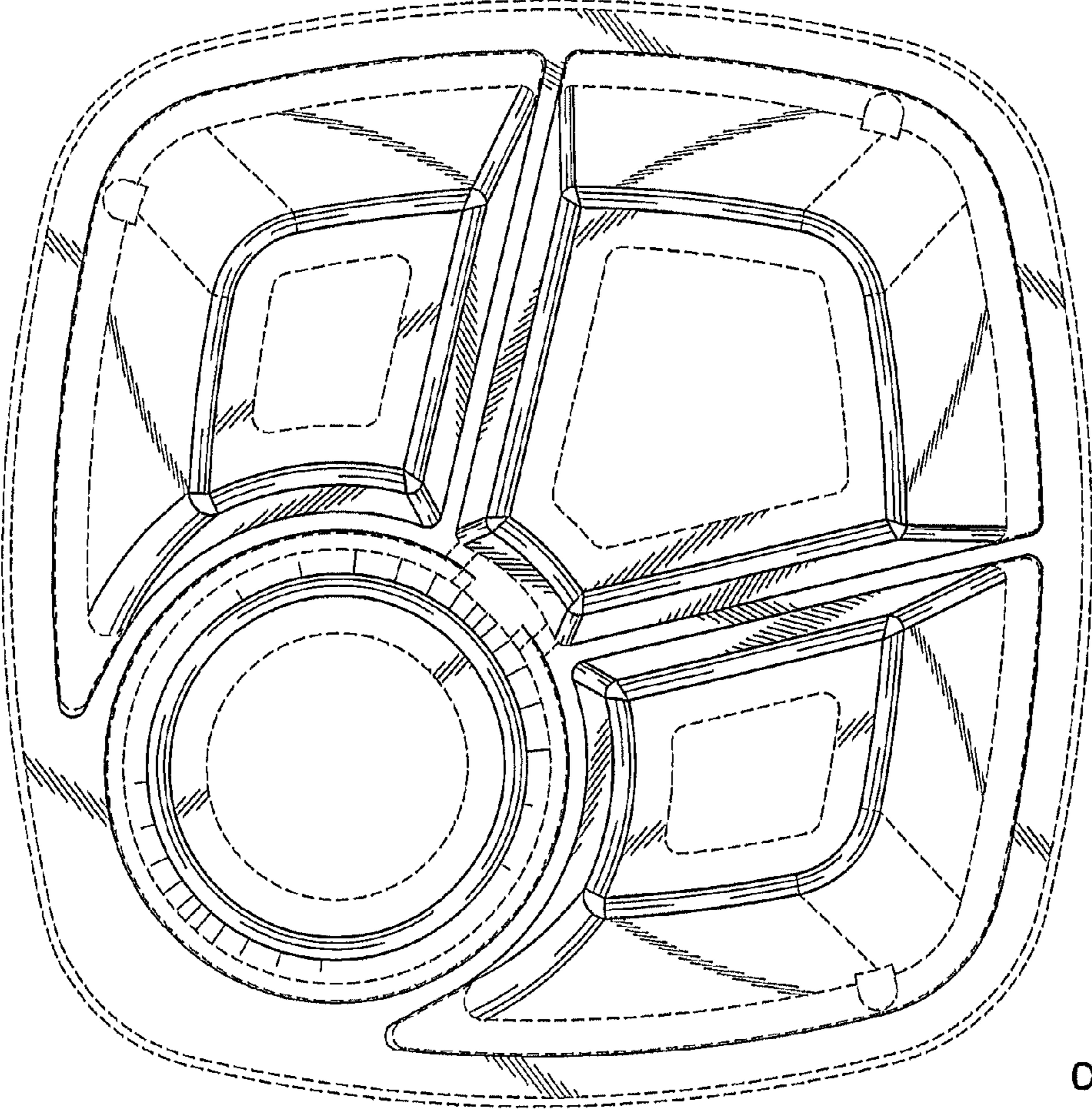


Fig. 8