



US00D740614S

(12) **United States Design Patent**
Rigsbee

(10) **Patent No.:** **US D740,614 S**

(45) **Date of Patent:** **** Oct. 13, 2015**

(54) **GROWLER BOTTLE**

(56) **References Cited**

(71) Applicant: **Jeffrey Brandon Rigsbee**, Leesburg, VA
(US)

U.S. PATENT DOCUMENTS

(72) Inventor: **Jeffrey Brandon Rigsbee**, Leesburg, VA
(US)

D140,903	S	*	4/1945	Crandall	D9/678
3,100,576	A	*	8/1963	Frank	215/382
D215,818	S	*	11/1969	Joaquim	D9/716
D235,971	S	*	7/1975	Visola	D9/536
D238,143	S	*	12/1975	Bay	D9/536
D258,564	S	*	3/1981	Hayes	D9/536
D643,300	S	*	8/2011	Beckerman	D9/536
D682,697	S	*	5/2013	Gonzalez Rodriguez	D9/500
D699,118	S	*	2/2014	Yourist	D9/531
D699,584	S	*	2/2014	Hall	D9/667
D721,964	S	*	2/2015	Rampley	D9/500

(**) Term: **14 Years**

* cited by examiner

(21) Appl. No.: **29/501,967**

(22) Filed: **Sep. 10, 2014**

(51) **LOC (10) Cl.** **09-01**

(52) **U.S. Cl.**

USPC **D7/536**; D7/300; D7/515; D9/531

(58) **Field of Classification Search**

USPC D7/310, 312, 314, 315, 316, 317, 318,
D7/319, 320, 591, 592, 598, 600, 622, 667,
D7/668, 392, 392.1, 396.6, 503, 507, 509,
D7/510, 511, 514, 515, 522, 513, 523, 533,
D7/559, 535, 532; D9/500, 678, 669, 715,
D9/719, 536, 528, 531, 534, 435, 440,
D9/443; 215/380, 382, 398, 396;
220/495.03, 23, 494; 206/217;
229/400, 402, 404

CPC A47J 31/14; A47J 36/14; A47J 31/005;
A47J 31/00; A47G 19/14; A47G 19/2272

See application file for complete search history.

Primary Examiner — Marianne Pandozzi

Assistant Examiner — Jae Liang

(74) *Attorney, Agent, or Firm* — Kevin Keener; Keener and Associates P.C.

(57) **CLAIM**

The ornamental design for a growler bottle, as shown and described.

DESCRIPTION

FIG. 1 is a perspective front view of a growler bottle showing my new design;

FIG. 2 is a left side elevational view thereof;

FIG. 3 is a top plan view thereof;

FIG. 4 is a rear elevational view thereof;

FIG. 5 is a right side elevational view thereof; and,

FIG. 6 is a bottom plan view thereof.

1 Claim, 2 Drawing Sheets

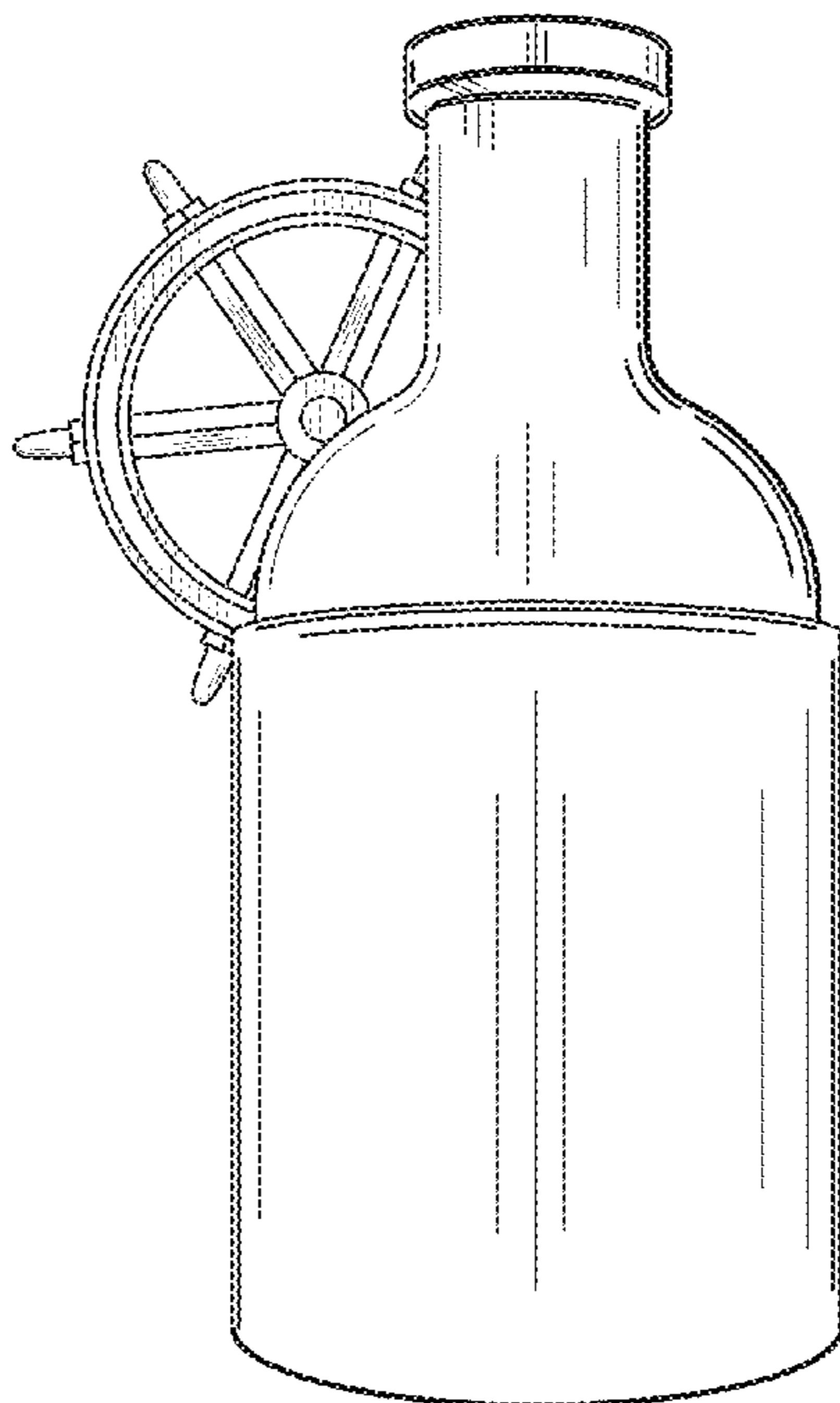


Fig. 1

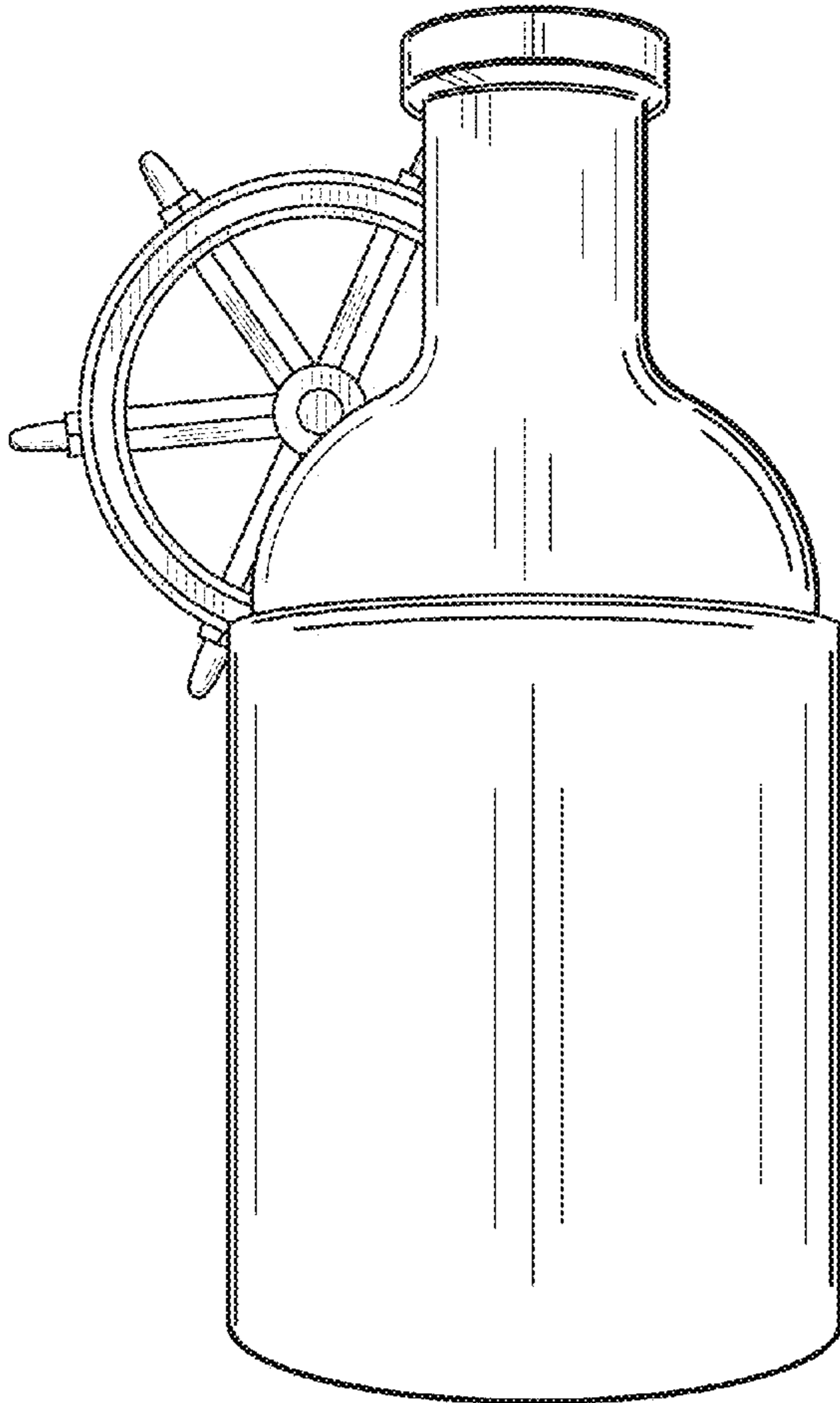


Fig. 2

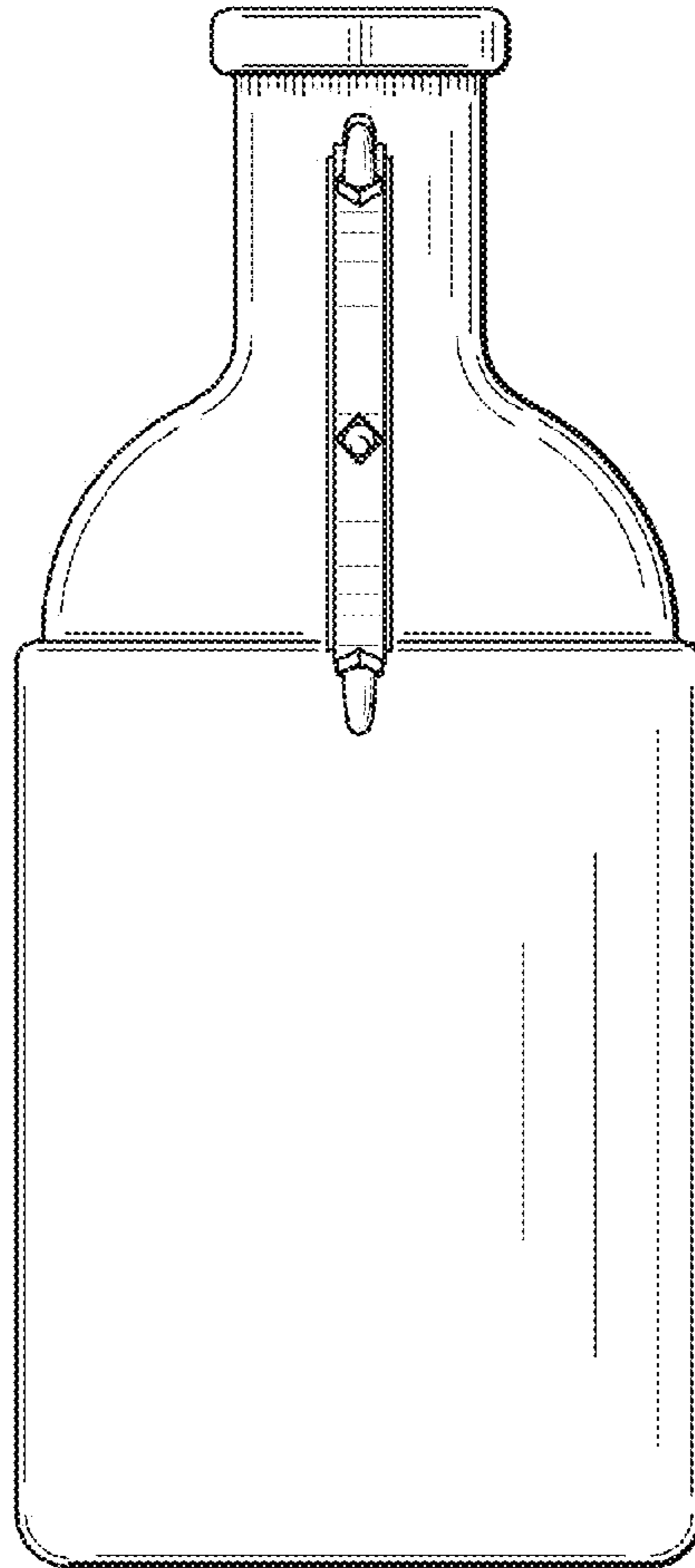


Fig. 3

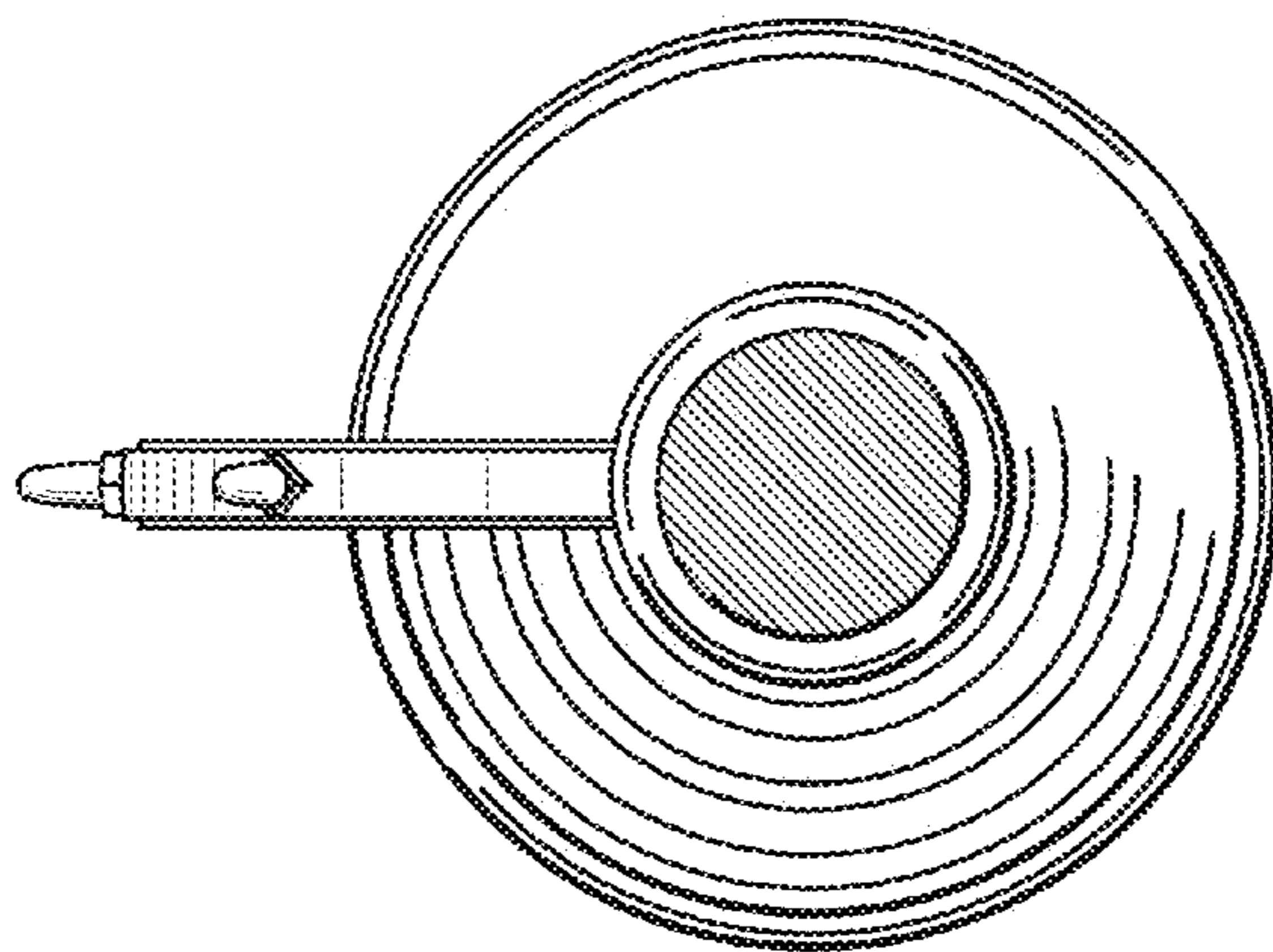


Fig. 4

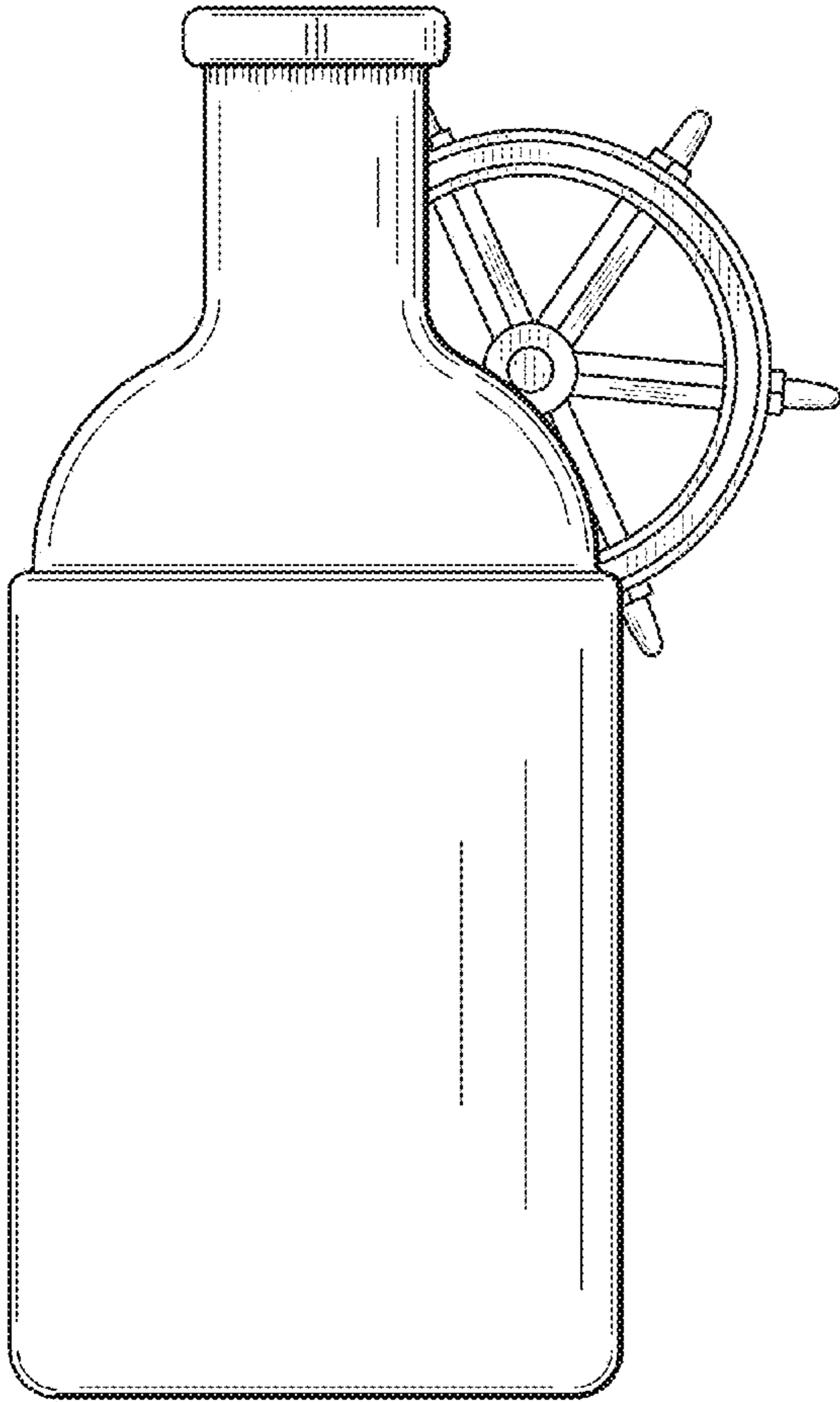


Fig. 5

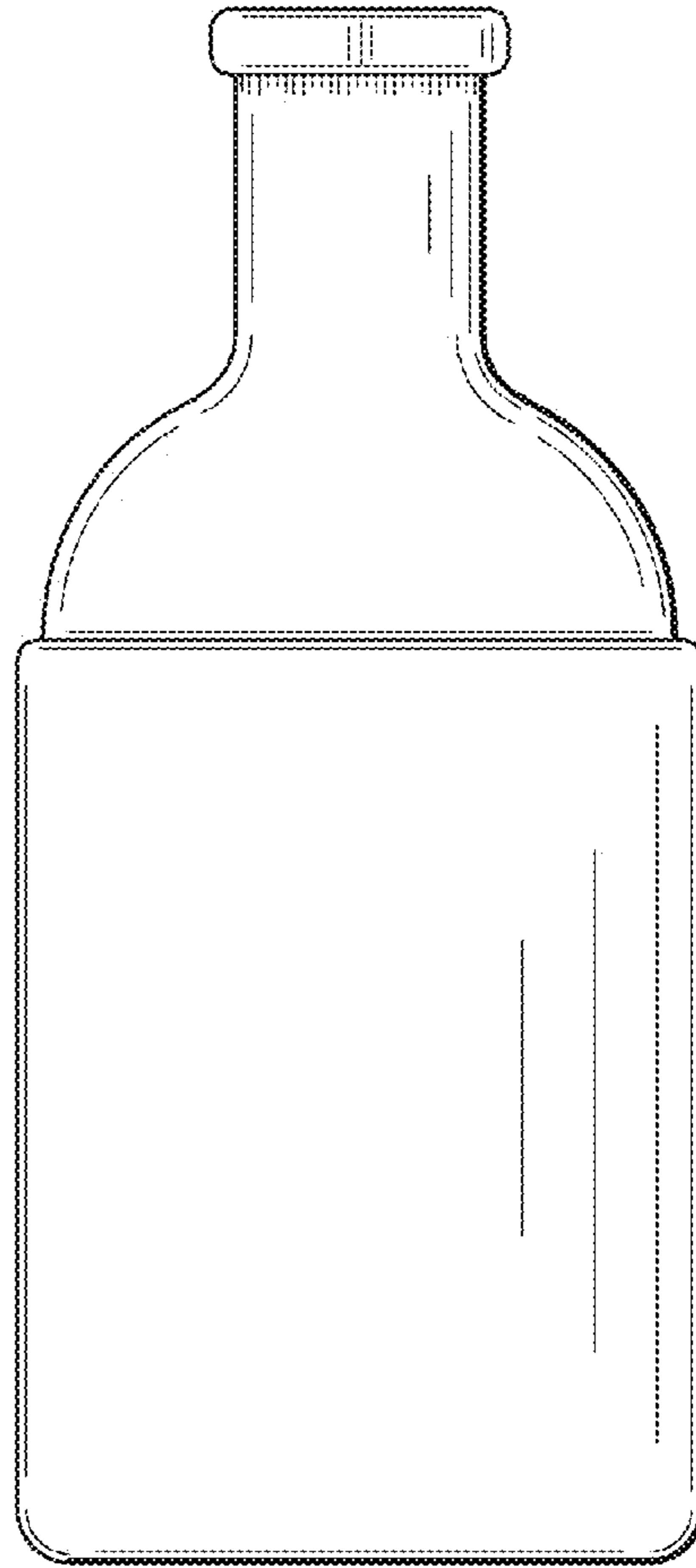


Fig. 6

