



US00D740608S

(12) **United States Design Patent**
Apel

(10) **Patent No.:** **US D740,608 S**

(45) **Date of Patent:** **** Oct. 13, 2015**

(54) **DRINKING GLASS**

(71) Applicant: **Nathaniel L. Apel**, Sheboygan Falls, WI
(US)

(72) Inventor: **Nathaniel L. Apel**, Sheboygan Falls, WI
(US)

(**) Term: **14 Years**

(21) Appl. No.: **29/493,922**

(22) Filed: **Jun. 16, 2014**

(51) **LOC (10) Cl.** **07-01**

(52) **U.S. Cl.**
USPC **D7/515; D7/536**

(58) **Field of Classification Search**
USPC D7/509, 507, 536, 533, 514; 220/713,
220/592.16

CPC A47G 19/2205
See application file for complete search history.

(56) **References Cited**

U.S. PATENT DOCUMENTS

D207,408 S *	4/1967	Levin	D7/515
D459,942 S *	7/2002	Miller	D7/394
6,471,390 B1 *	10/2002	Cuthbertson et al.	366/101
D505,298 S *	5/2005	Holt	D7/515

D639,608 S *	6/2011	Tohm, Sr.	D7/536
D682,032 S *	5/2013	Poppie	D7/509
D684,428 S *	6/2013	Spencer	D7/536
8,689,802 B2 *	4/2014	Schoenfeld	131/178
D729,008 S *	5/2015	Rankin	D7/507

* cited by examiner

Primary Examiner — Marianne Pandozzi

(74) *Attorney, Agent, or Firm* — Ziolkowski Patent Solutions Group, SC

(57) **CLAIM**

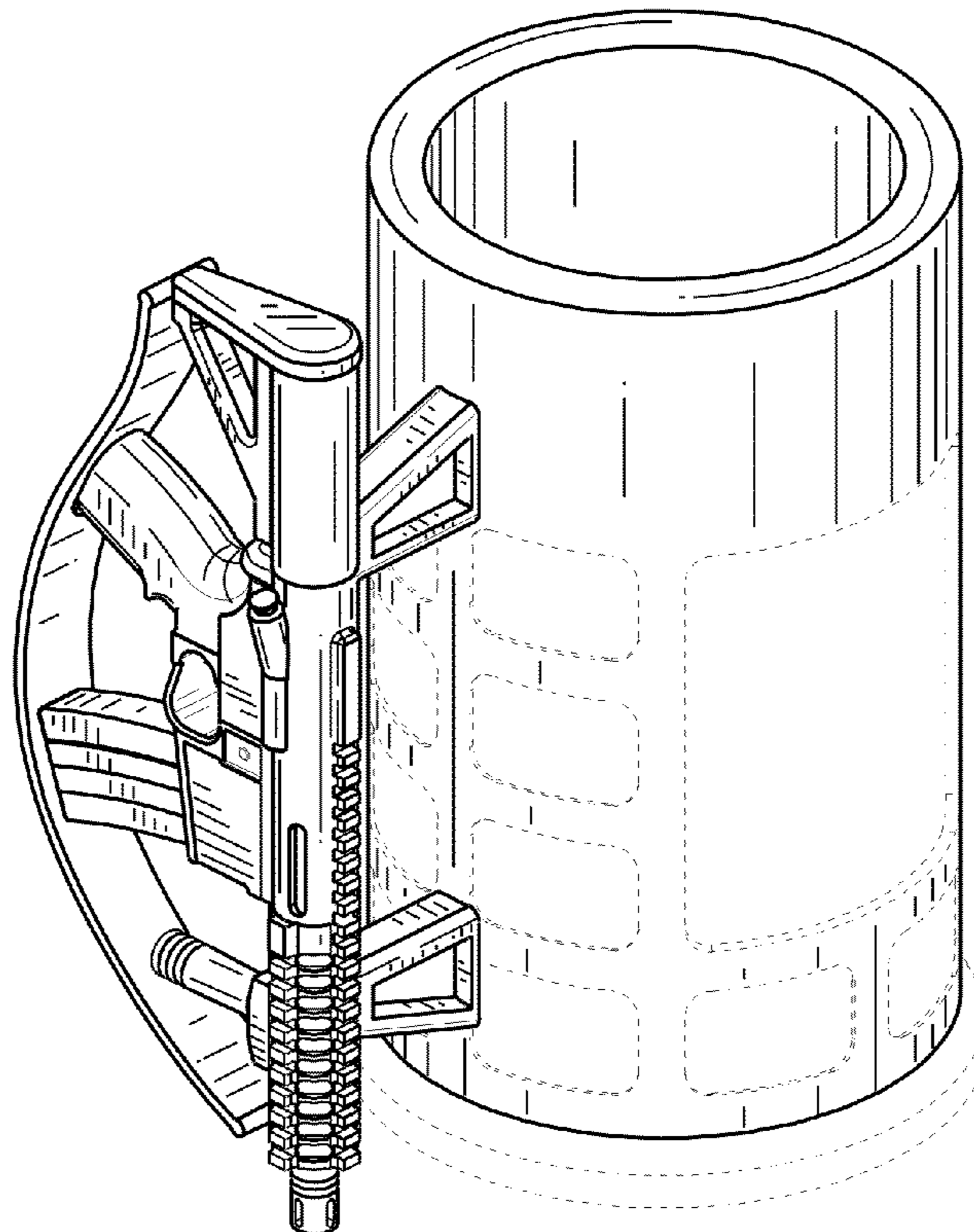
The ornamental design for a drinking glass, as shown and described.

DESCRIPTION

FIG. 1 is a perspective view of a drinking glass in accordance with the present invention;
FIG. 2 is a left side elevational thereof;
FIG. 3 is a right side elevational view thereof;
FIG. 4 is a front elevational view thereof;
FIG. 5 is a rear elevational view thereof;
FIG. 6 is a top view thereof; and,
FIG. 7 is a bottom view thereof.

The broken lines in the drawing views are included for the purpose of illustrating portions of the drinking glass that form no part of the claimed design.

1 Claim, 5 Drawing Sheets



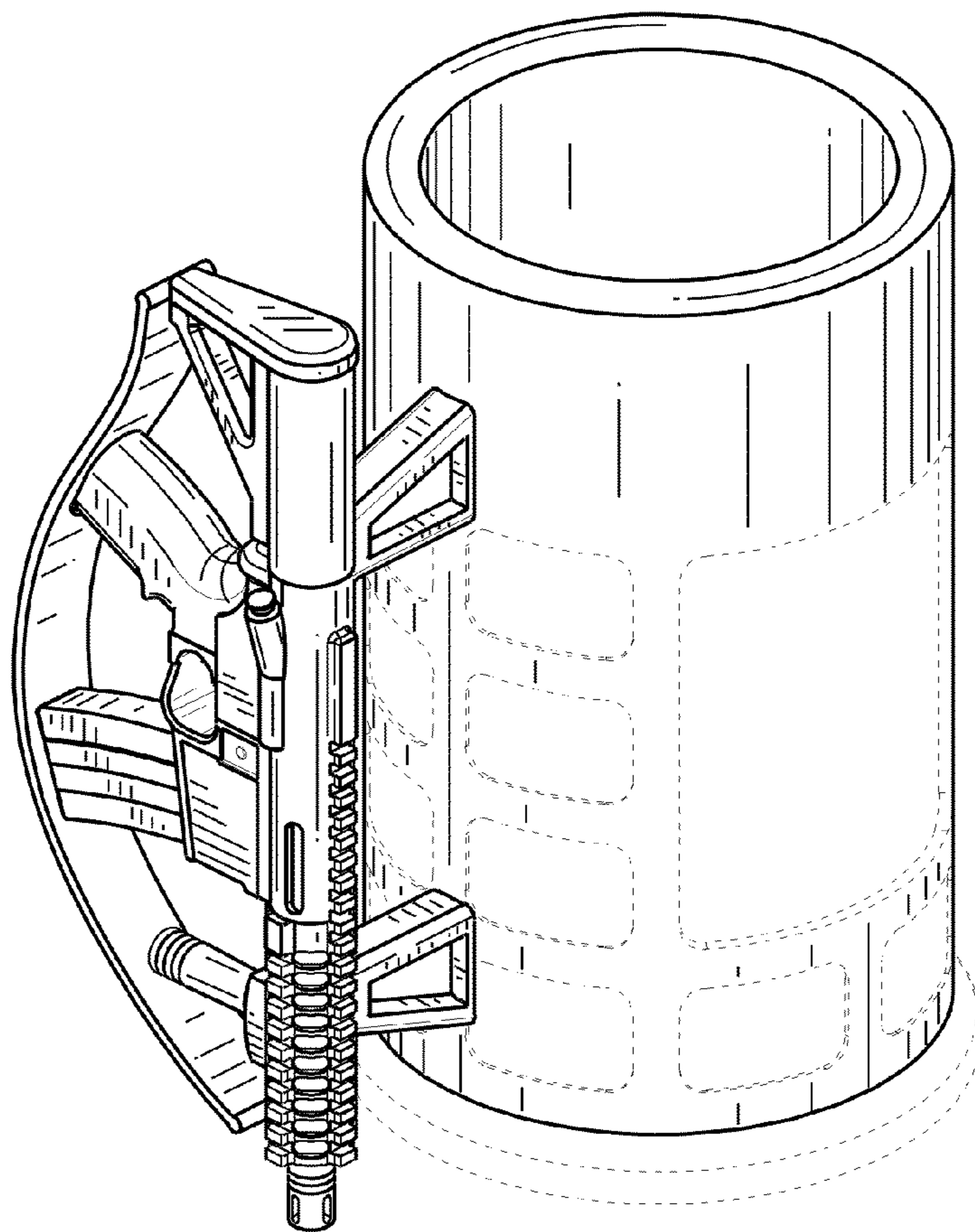


FIG. 1

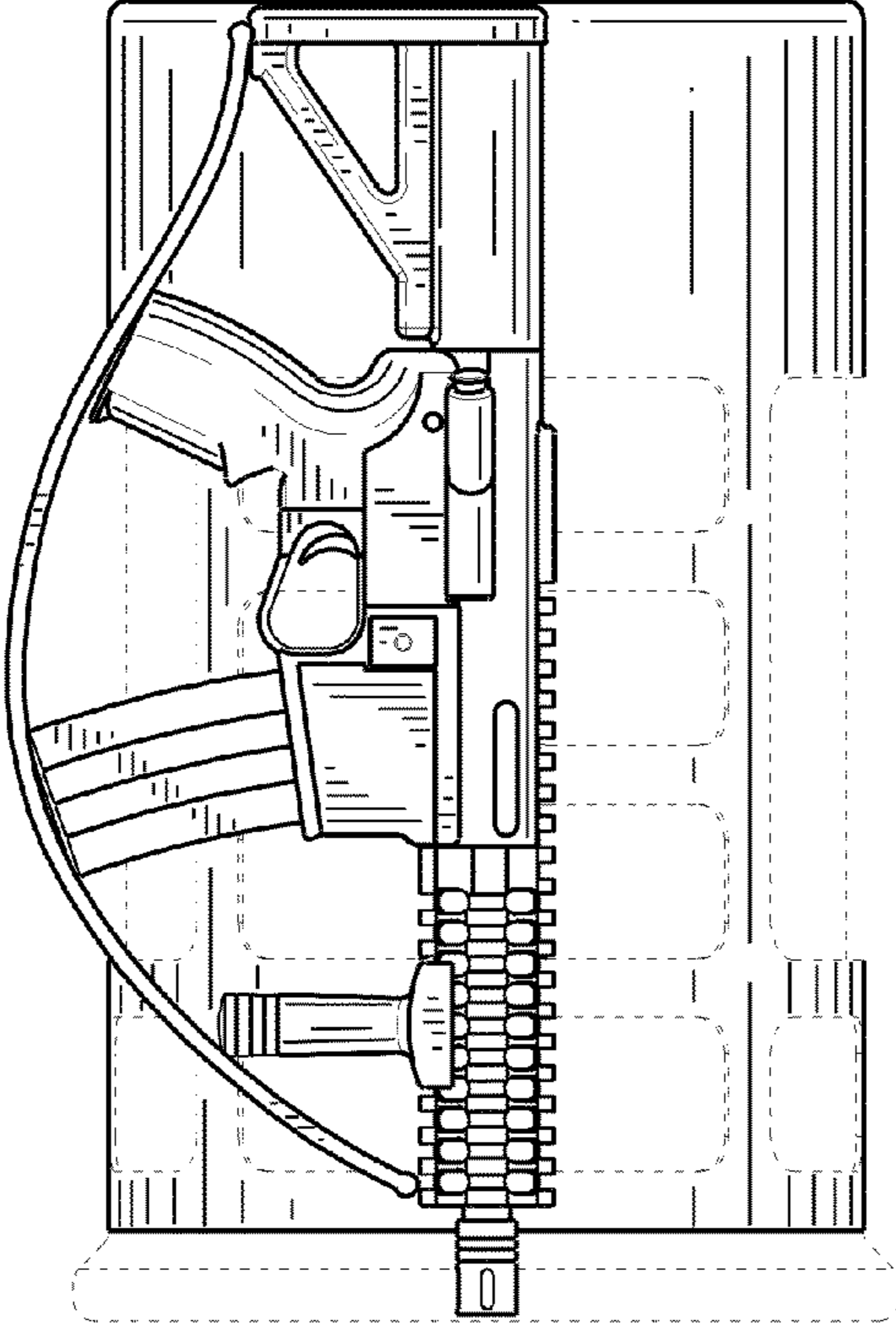


FIG. 2

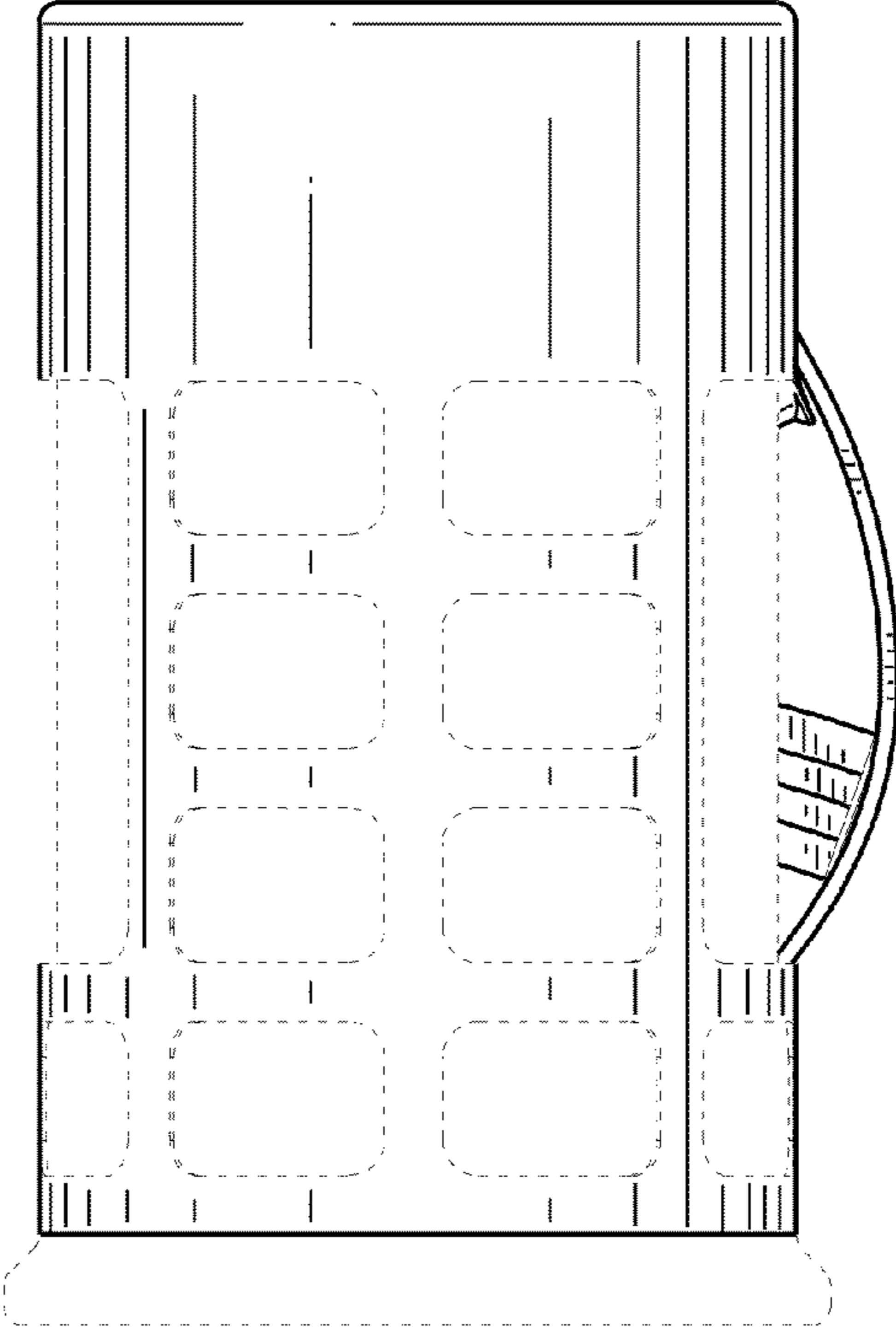


FIG. 3

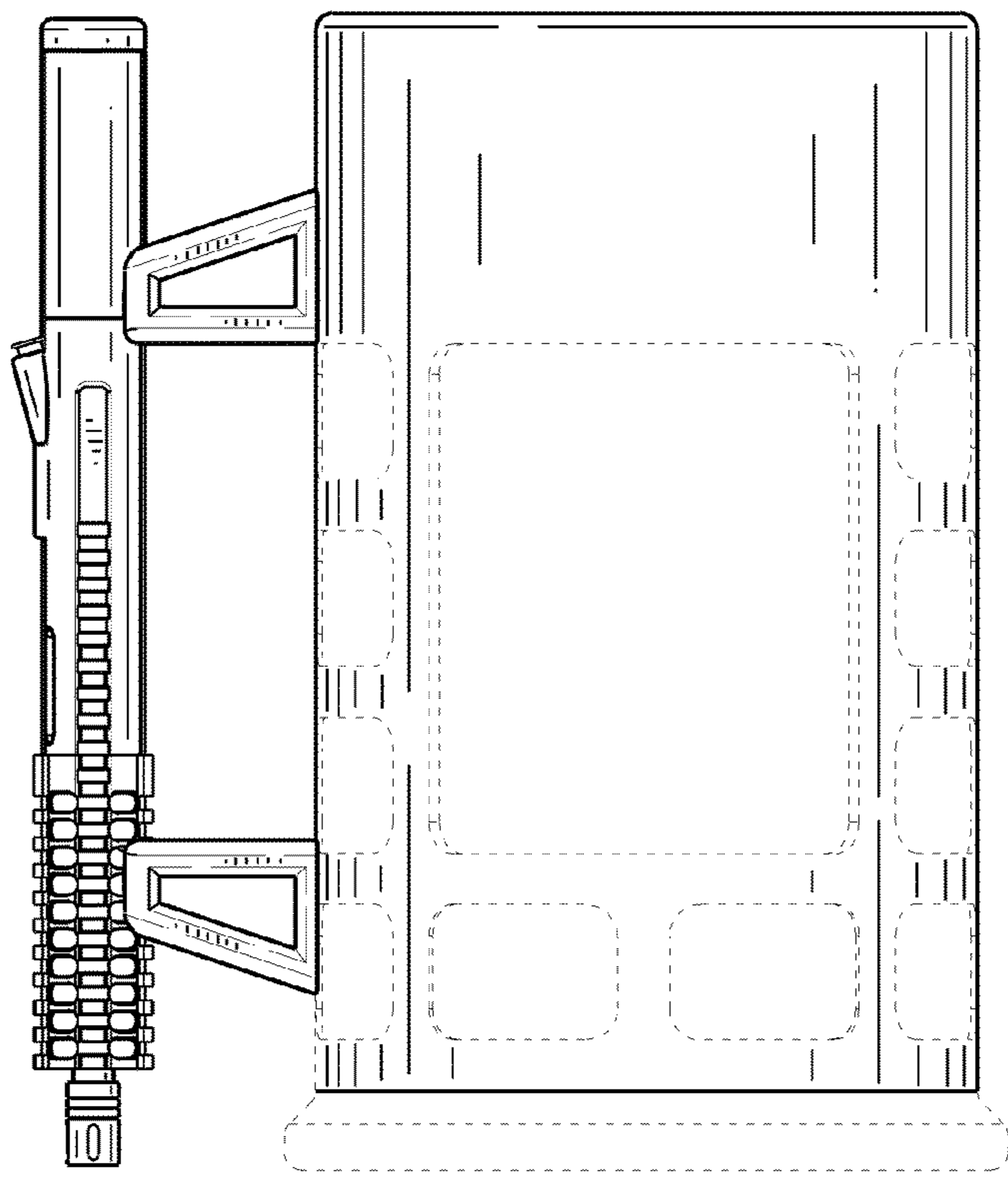


FIG. 4

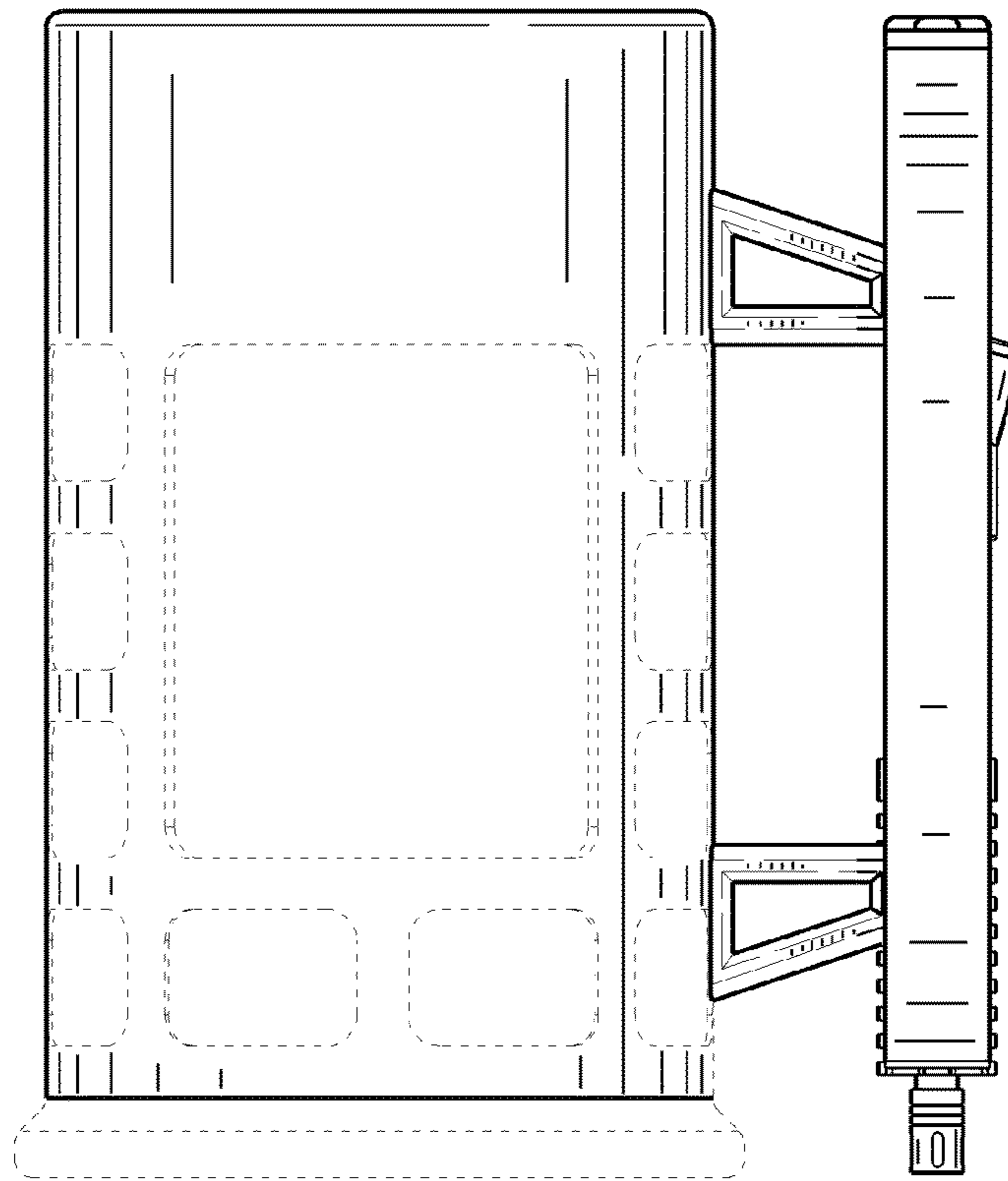


FIG. 5

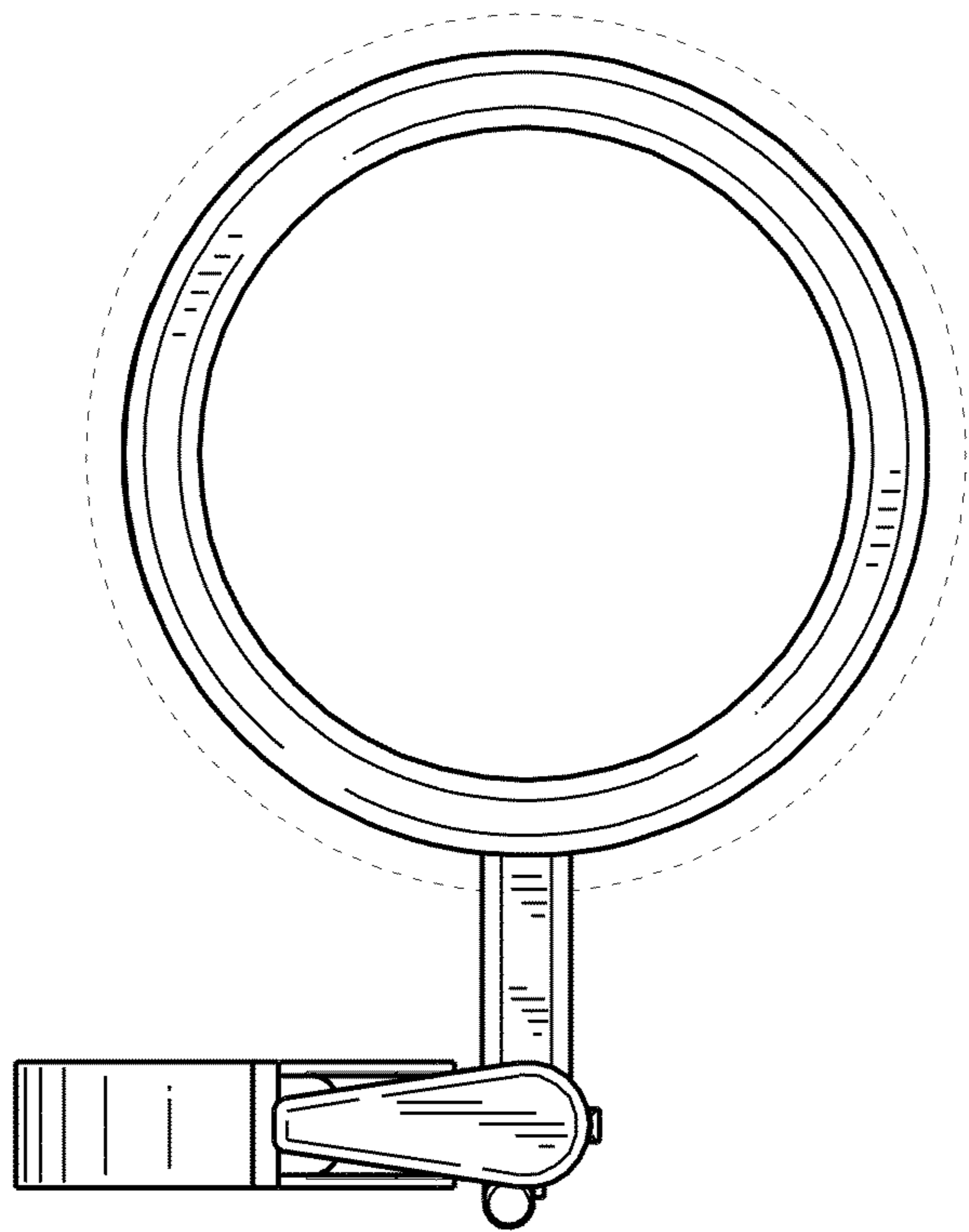


FIG. 6

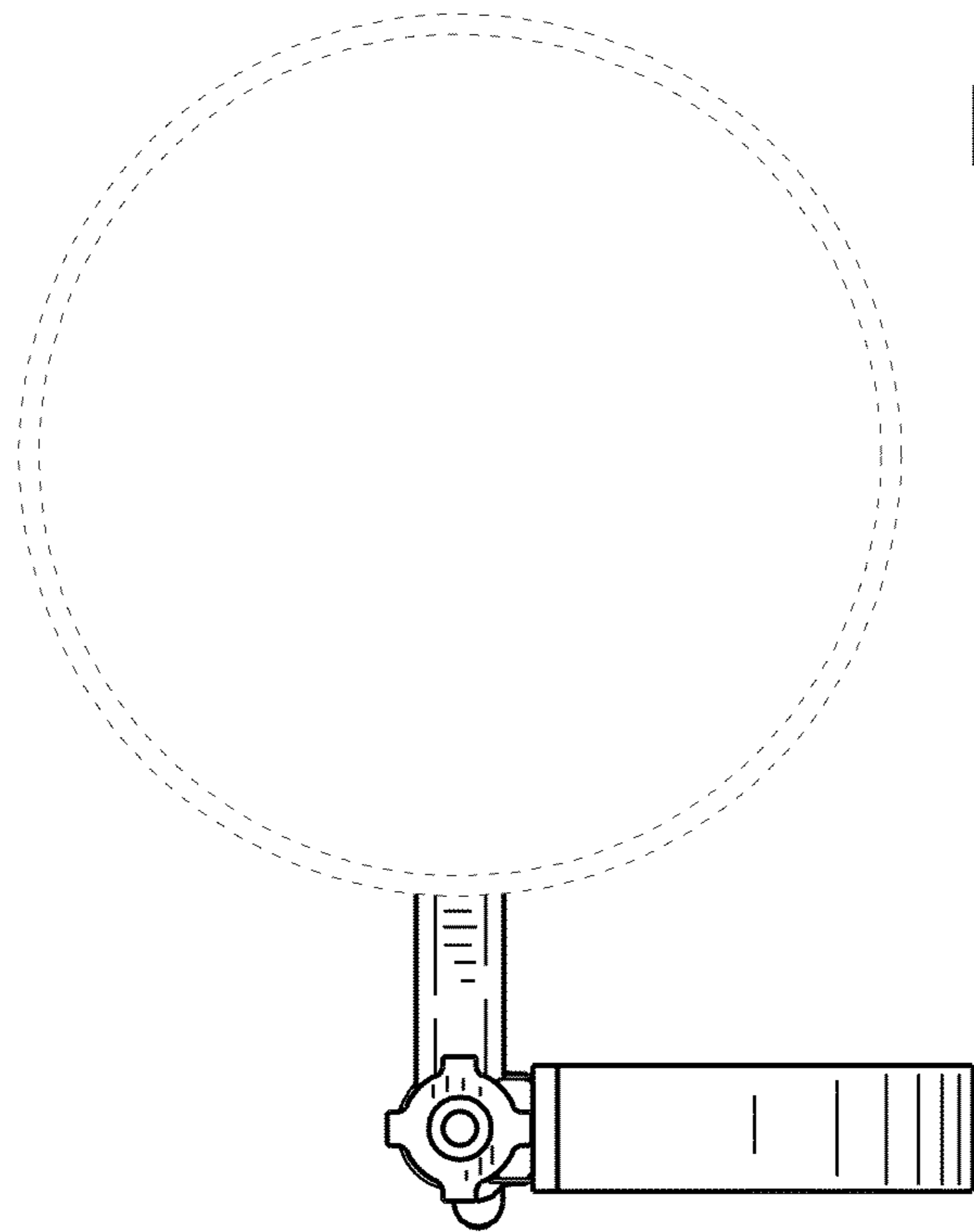


FIG. 7