



US00D740607S

(12) **United States Design Patent**
Nadal

(10) **Patent No.:** **US D740,607 S**

(45) **Date of Patent:** **** Oct. 13, 2015**

(54) **SOLID-FUEL COOKING DEVICE ASSEMBLY**

(71) Applicant: **FIRE BUTLER, LLC**, Beverly Hills,
FL (US)

(72) Inventor: **Vincent T. Nadal**, Beverly Hills, FL
(US)

(73) Assignee: **FIRE BUTLER, LLC**, Beverly Hills,
FL (US)

(**) Term: **14 Years**

(21) Appl. No.: **29/516,736**

(22) Filed: **Feb. 5, 2015**

Related U.S. Application Data

(63) Continuation-in-part of application No. 14/587,248,
filed on Dec. 31, 2014.

(51) **LOC (10) Cl.** **07-02**

(52) **U.S. Cl.**
USPC **D7/407**

(58) **Field of Classification Search**
USPC D7/332, 334, 335, 362, 402-404,
D7/407-409, 337, 339; 126/4, 38, 25 A,
126/25 R, 9 B, 41 R, 273.5, 59.5; 99/357,
99/339, 444, 446, 450, 467; 431/144, 344,
431/354, 247; 426/523; D23/335-336, 341
CPC F24C 11/00; F24C 3/14; F24C 1/205;
F24C 15/34; A47J 37/0713; A47J 37/0704;
A47J 37/0694; A47J 37/0786; A47J 37/044;
F24B 1/205; A01G 13/06; G07F 17/0078;
A21B 3/155; A23B 7/144; F23Q 25/00;
F23Q 2/163; F23D 11/44

See application file for complete search history.

(56) **References Cited**

U.S. PATENT DOCUMENTS

1,042,273 A	10/1912	Roe	
1,447,029 A	2/1923	Manchester	
2,894,448 A	7/1959	Henderson et al.	
3,217,634 A	11/1965	Fox	
3,688,758 A *	9/1972	Stephen et al.	126/25 A
3,765,397 A *	10/1973	Henderson	126/25 R
D229,277 S *	11/1973	Kong	D7/337
D244,985 S *	7/1977	Folke	D7/337
D249,448 S *	9/1978	Vache	D7/337
4,430,985 A	2/1984	Huneycutt	
4,592,334 A	6/1986	Logan, Jr.	
4,777,927 A	10/1988	Stephen et al.	
5,074,279 A	12/1991	Sainsbury	

(Continued)

Primary Examiner — T. Chase Nelson

Assistant Examiner — Mark Cavanna

(74) *Attorney, Agent, or Firm* — Allen, Dyer, Doppelt,
Milbrath & Gilchrist, P.A.

(57) **CLAIM**

The ornamental design for a solid-fuel cooking device assembly, as shown and described.

DESCRIPTION

FIG. 1 is a perspective view of a solid-fuel cooking device assembly with the cover portion attached showing my new design;

FIG. 2 is a perspective view of the solid-fuel cooking device assembly shown removed from the environmental structure for clarity of illustration;

FIG. 3 is a perspective view of the solid-fuel cooking device assembly with the cover portion removed;

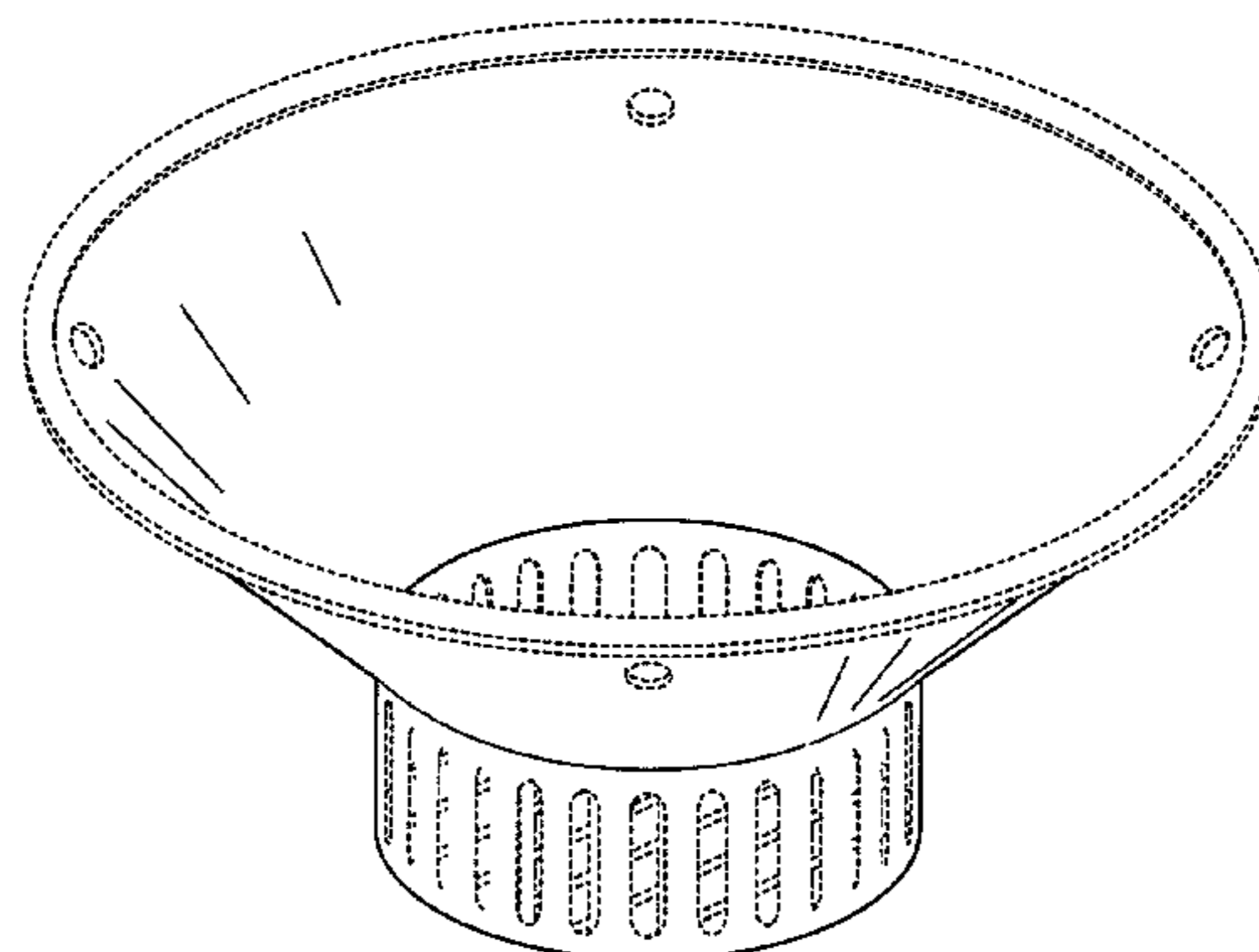
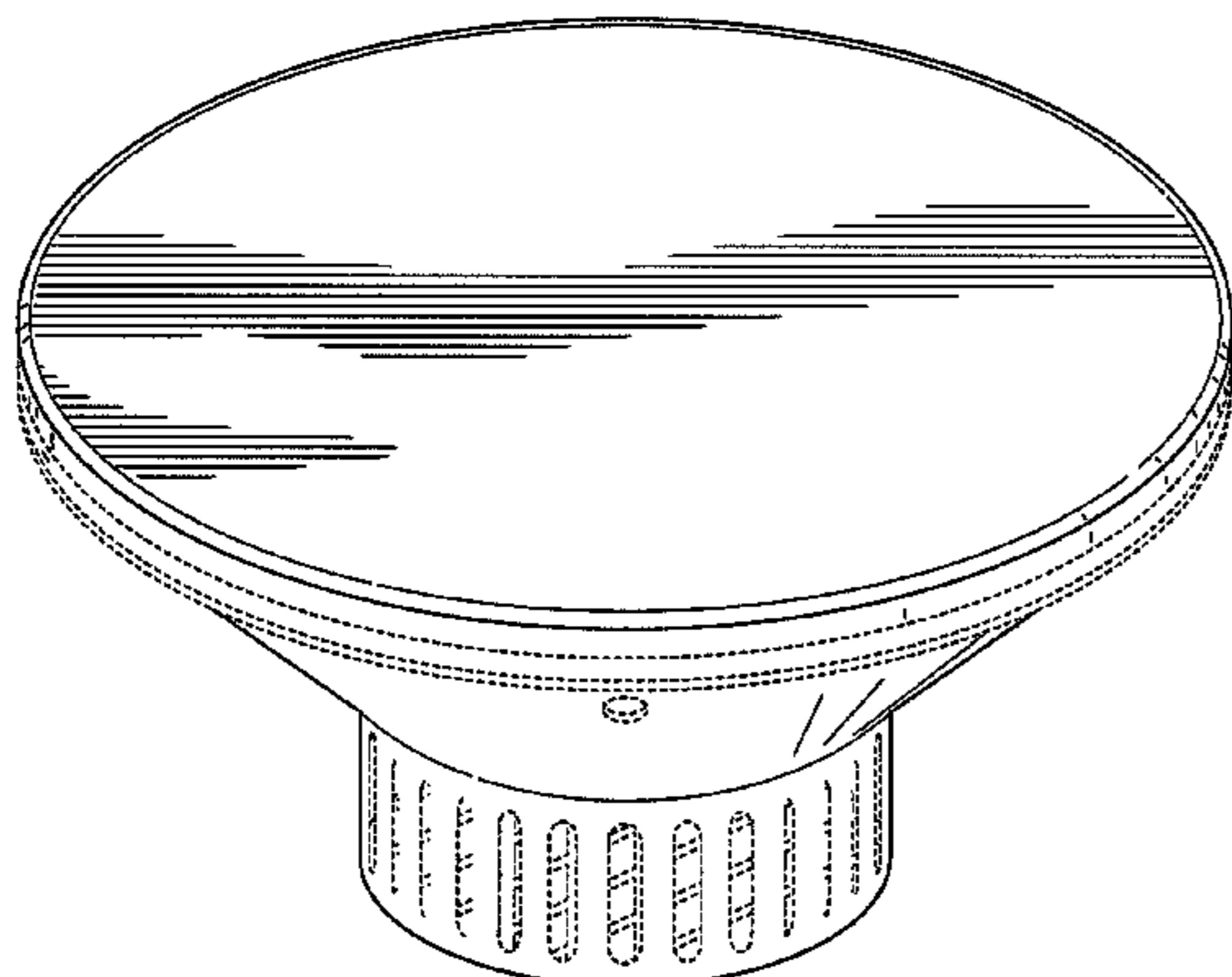
FIG. 4 is a side view of the solid-fuel cooking device assembly with the cover portion attached;

FIG. 5 is a top of the solid-fuel cooking device assembly with the cover removed; and,

FIG. 6 is a bottom view thereof.

The broken lines are included for the purpose of illustrating unclaimed portions of the solid-fuel cooking device assembly as well as unclaimed environmental structure. The broken lines in the drawings form no part of the claimed design.

1 Claim, 6 Drawing Sheets



(56)

References Cited

U.S. PATENT DOCUMENTS

5,094,221 A * 3/1992 Ho 126/4
 5,404,864 A * 4/1995 Kent, Jr. 126/9 B
 D379,900 S * 6/1997 Gillam et al. D7/337
 5,687,704 A 11/1997 Lerch et al.
 5,797,386 A 8/1998 Orr
 5,964,212 A * 10/1999 Thompson 126/25 R
 6,205,996 B1 * 3/2001 Ryan 126/41 R
 6,213,006 B1 4/2001 Reardon et al.
 6,302,096 B1 * 10/2001 Duncan 126/38
 6,598,598 B1 * 7/2003 Bratsikas 126/25 R

D479,941 S * 9/2003 Blanchette D7/339
 6,688,301 B1 2/2004 McNeill
 7,032,587 B2 4/2006 McNeill
 D544,753 S * 6/2007 Tseng D7/407
 7,241,466 B2 * 7/2007 Dellinger 426/523
 D627,591 S * 11/2010 Wade D7/337
 8,166,870 B2 * 5/2012 Badin 99/357
 D680,799 S * 4/2013 Chung D7/337
 8,578,927 B2 * 11/2013 Gustavsen 126/273.5
 2005/0039612 A1 2/2005 Denny
 2006/0042475 A1 3/2006 Craig
 2007/0087297 A1 * 4/2007 Long 431/247

* cited by examiner

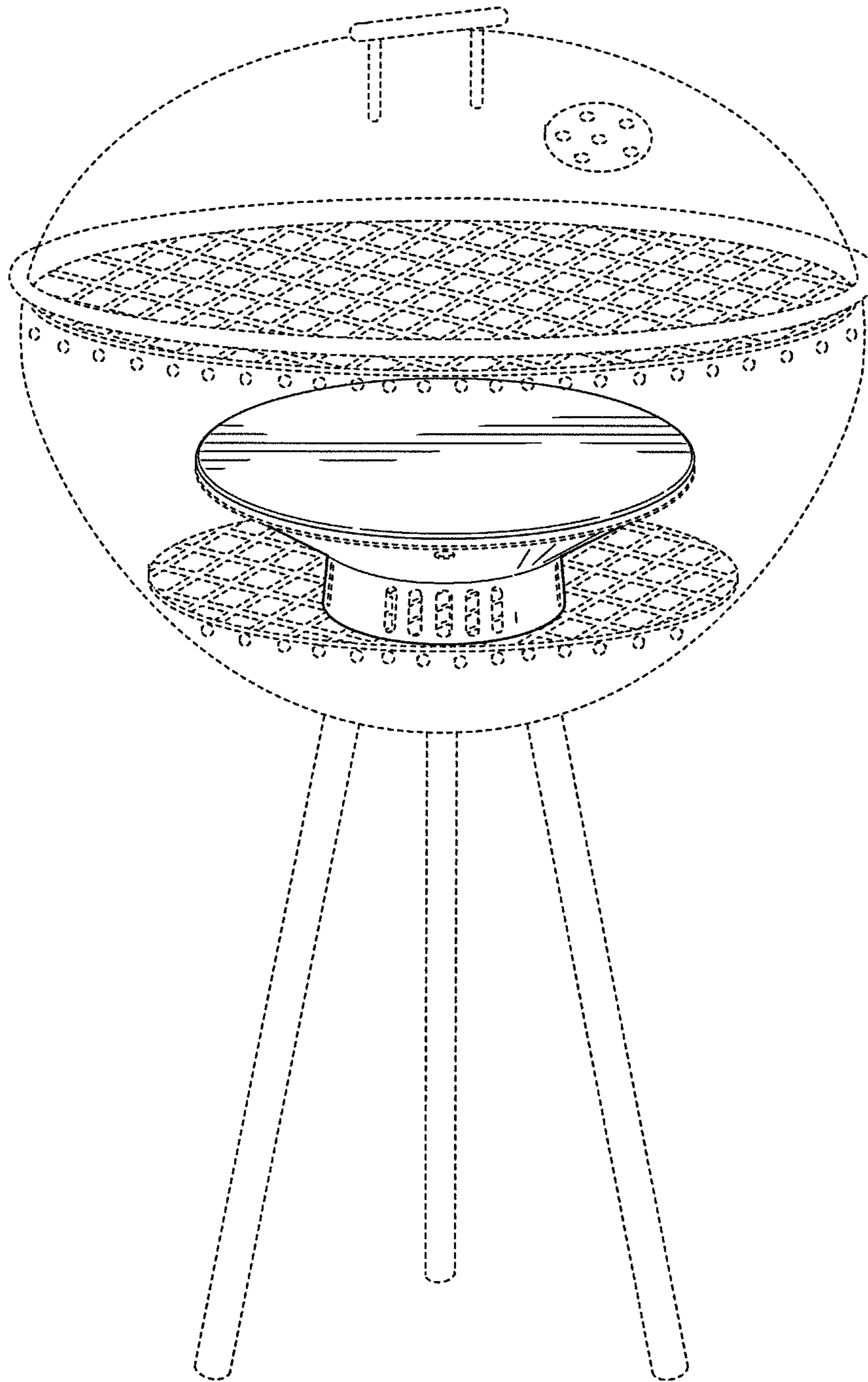


FIG. 1

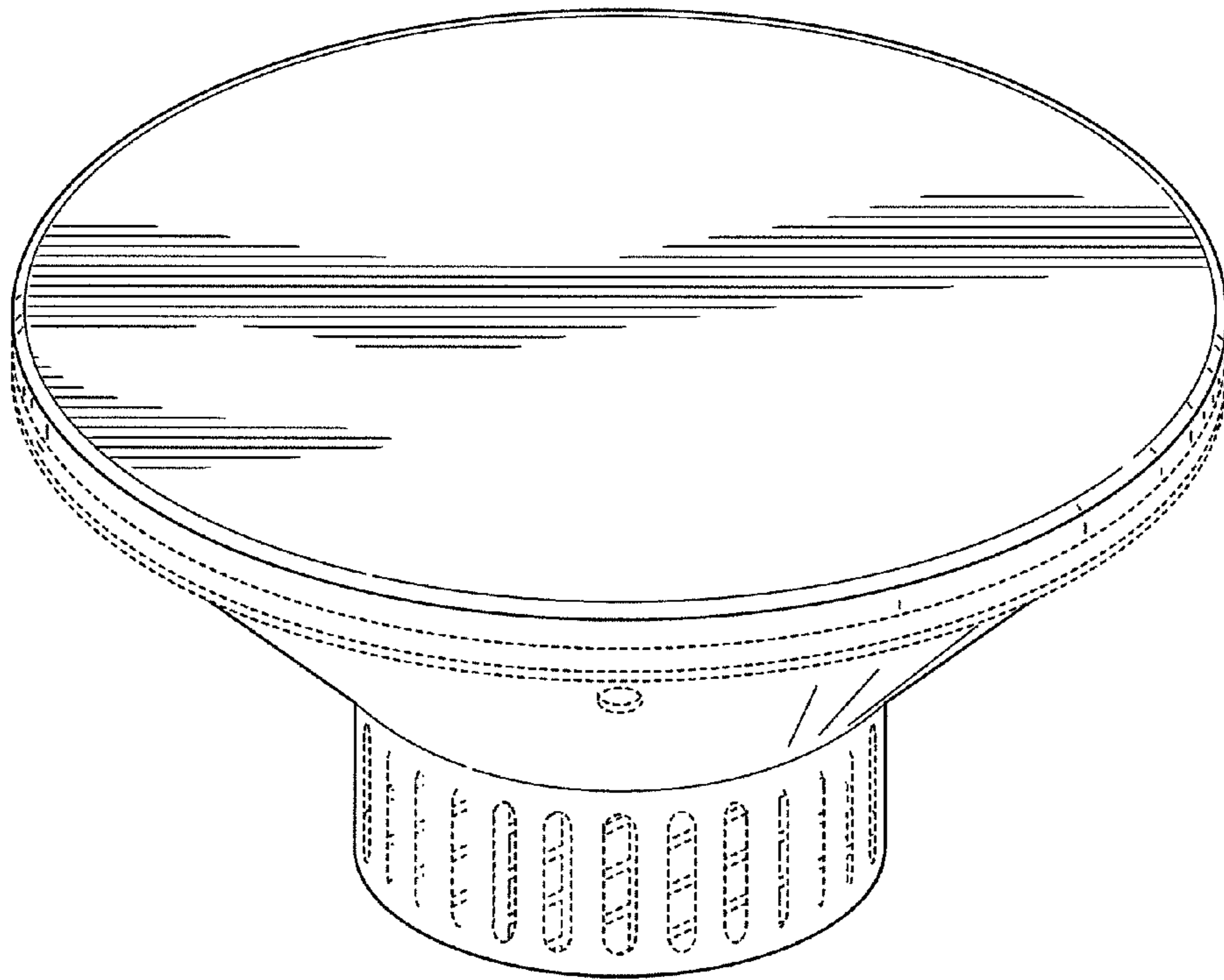


FIG. 2

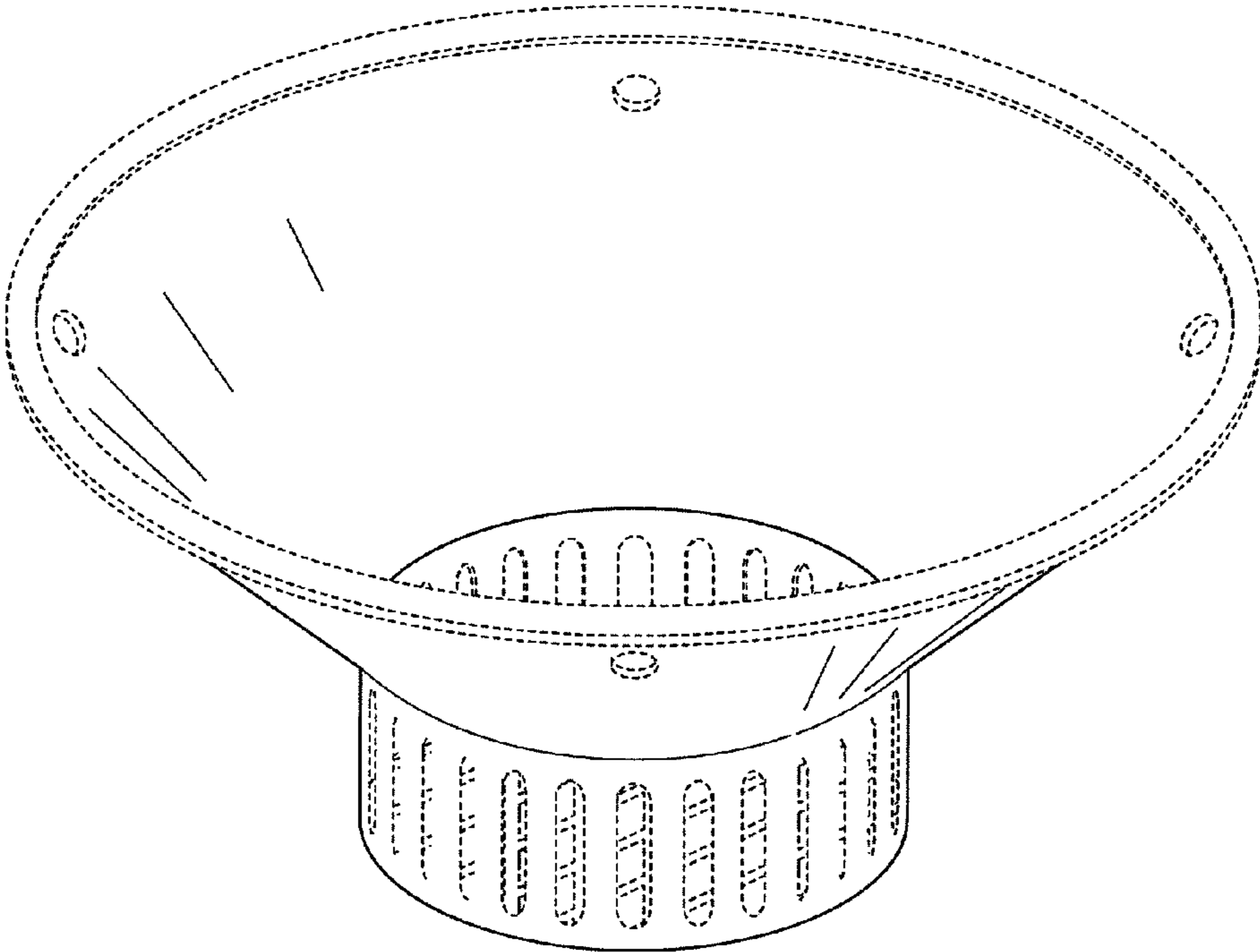


FIG. 3

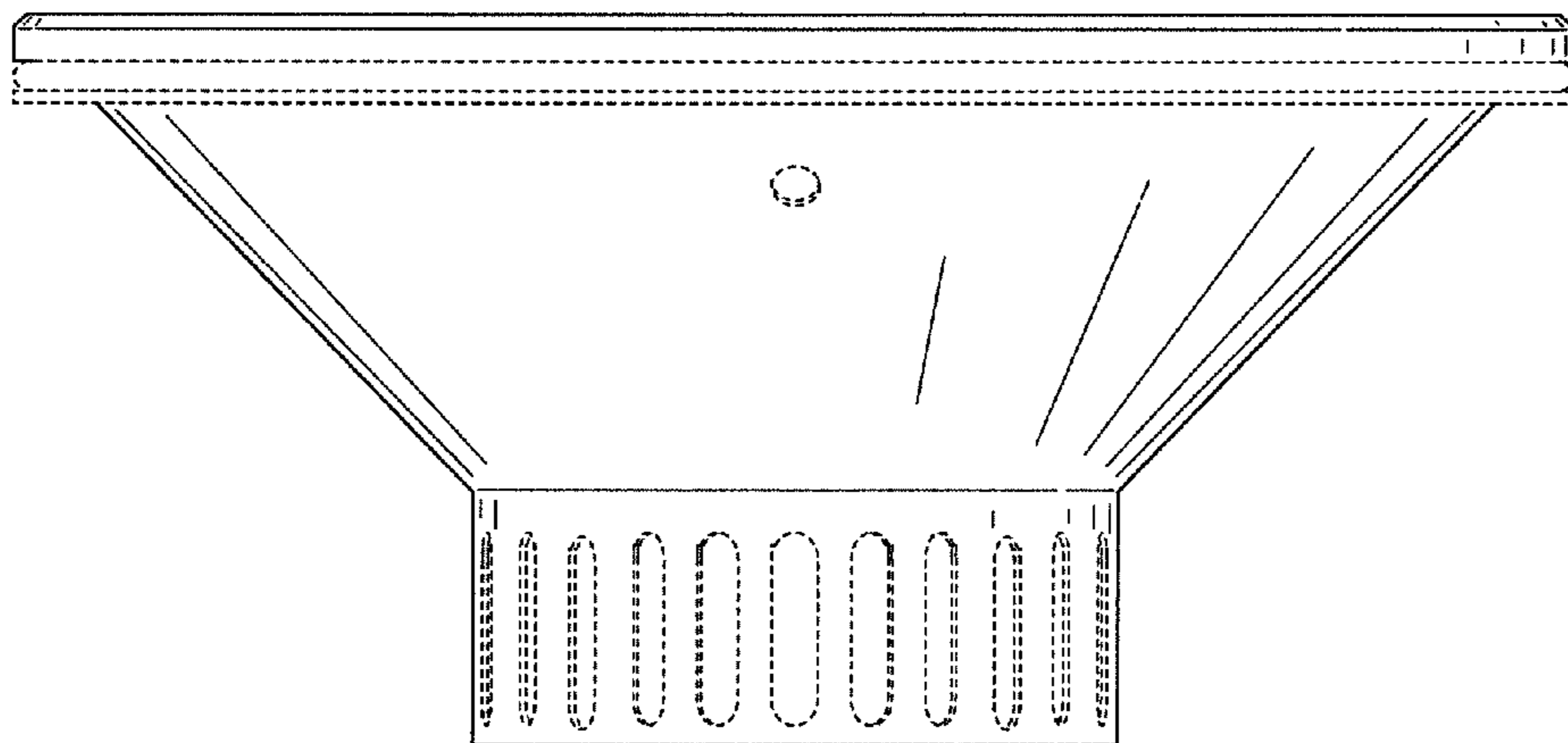


FIG. 4

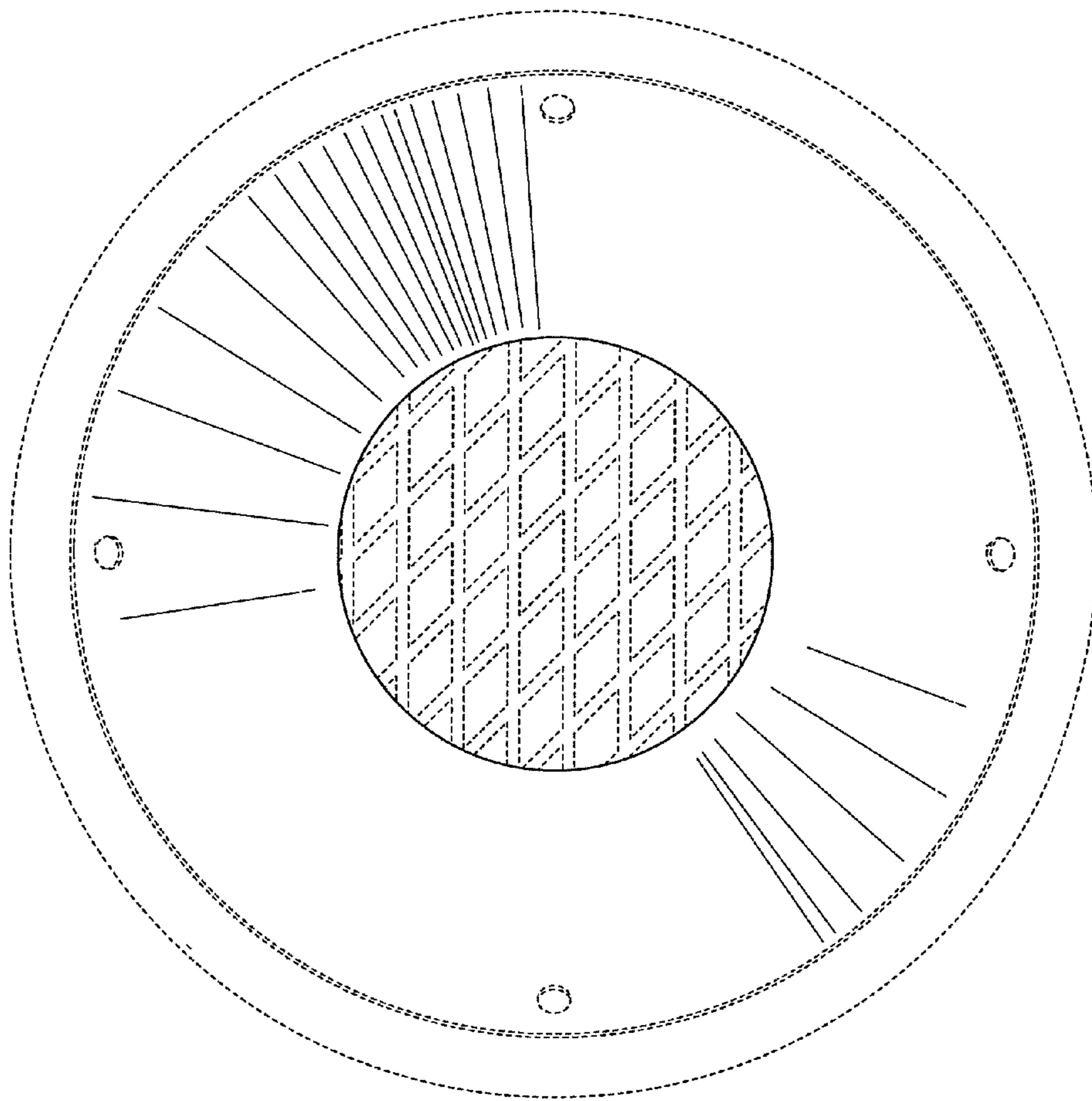


FIG. 5

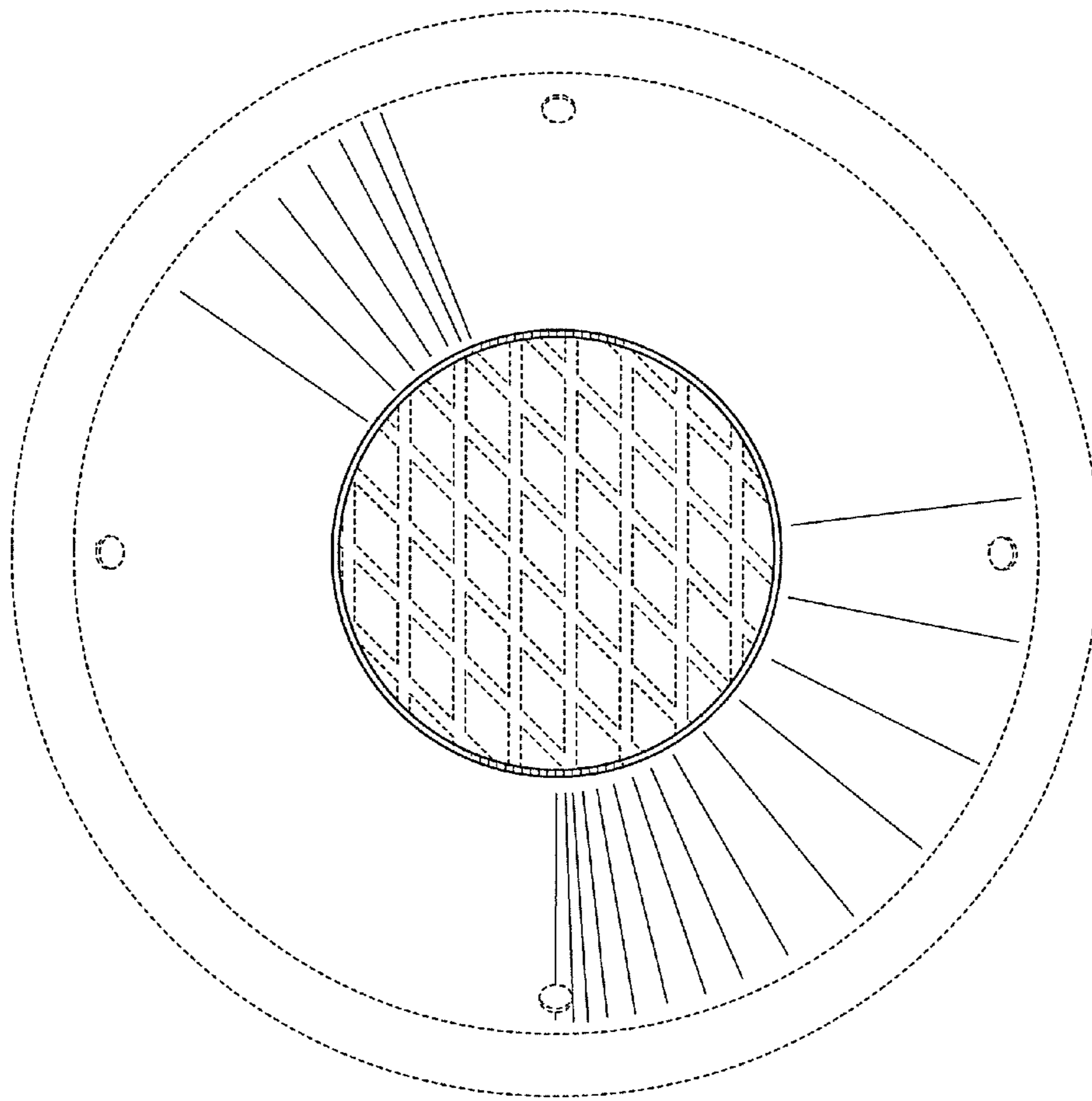


FIG. 6