



US00D740604S

(12) **United States Design Patent**  
**Barberi**

(10) **Patent No.:** **US D740,604 S**

(45) **Date of Patent:** **\*\* Oct. 13, 2015**

(54) **ELONGATED SIDE HANDLE FOR COOKWARE**

(71) Applicant: **Meyer Intellectual Properties Limited,**  
Kowloon (CN)

(72) Inventor: **Philip D. Barberi,** San Ramon, CA (US)

(73) Assignee: **Meyer Intellectual Properties Limited,**  
Kowloon (HK)

(\*\*) Term: **14 Years**

(21) Appl. No.: **29/497,935**

(22) Filed: **Jul. 30, 2014**

(51) **LOC (10) Cl.** ..... **07-02**

(52) **U.S. Cl.**  
USPC ..... **D7/395**

(58) **Field of Classification Search**  
USPC ..... D7/354-361, 393-395, 401.2, 664;  
D8/107, 300, 303, 307, 313, 321;  
D4/138, 129  
CPC ..... A47J 45/06; A47J 45/061; A47J 45/62;  
A47J 45/08; A47J 45/085; A47J 45/071;  
A47J 45/072; B65D 25/2802; B65D 25/2882;  
B65D 25/2885; B65D 25/2888; B65D  
25/2894; Y10S 220/912  
See application file for complete search history.

(56) **References Cited**

**U.S. PATENT DOCUMENTS**

D440,463 S \* 4/2001 Groll ..... D7/395  
D580,703 S \* 11/2008 Devries ..... D7/393

D644,486 S \* 9/2011 Groll ..... D7/395  
D682,022 S \* 5/2013 Rae ..... D7/395  
D693,638 S \* 11/2013 Sweet et al. .... D7/395  
D704,505 S \* 5/2014 Clabots ..... D7/395  
D705,003 S \* 5/2014 Rae et al. .... D7/395  
D711,685 S \* 8/2014 Delassus ..... D7/395  
D714,585 S \* 10/2014 Genatossio ..... D7/395  
D730,113 S \* 5/2015 Barberi ..... D7/395  
D730,114 S \* 5/2015 Barberi ..... D7/395

\* cited by examiner

*Primary Examiner* — Cynthia M Chin

(74) *Attorney, Agent, or Firm* — Akerman LLP

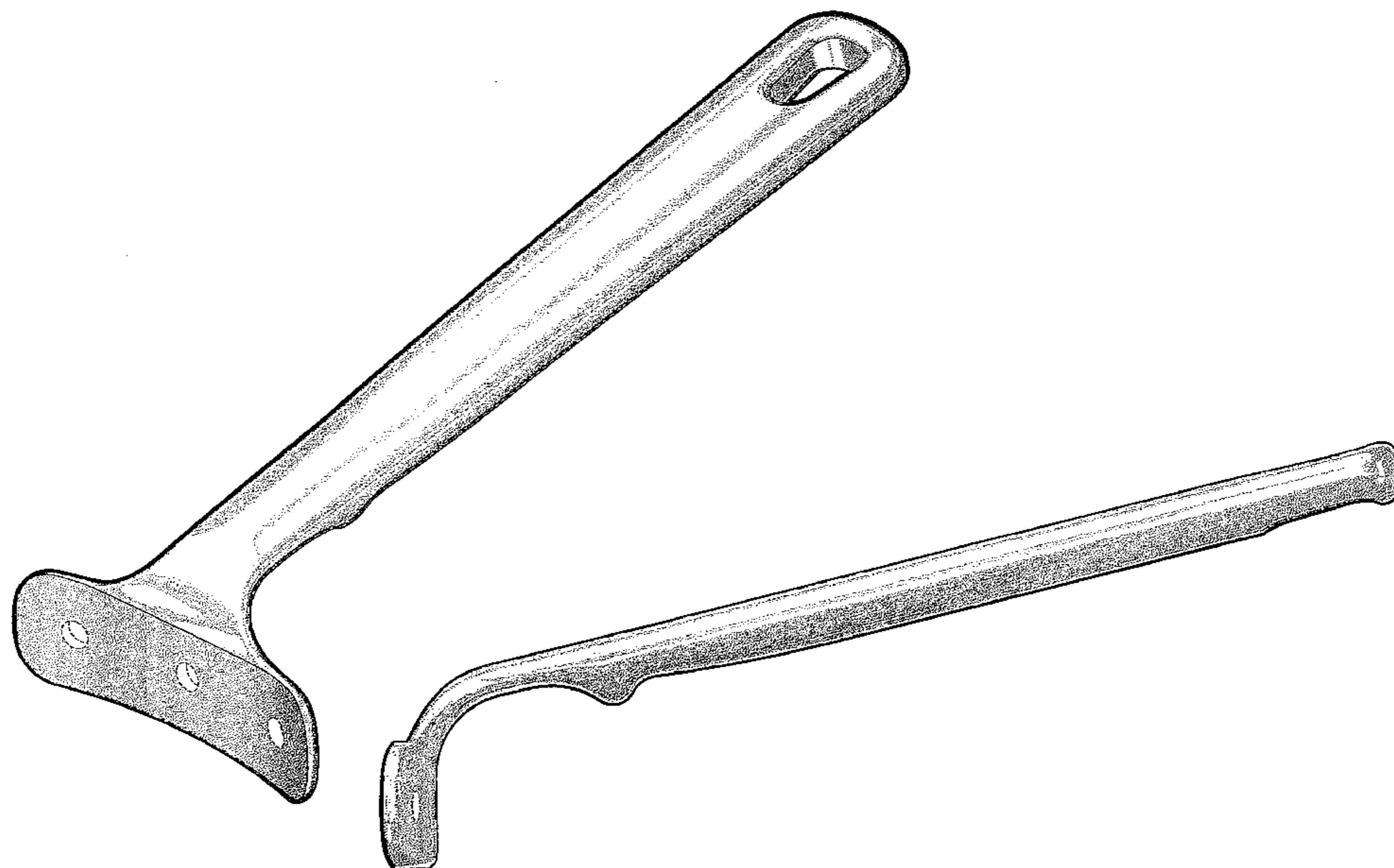
(57) **CLAIM**

The ornamental design for an elongated side handle for cookware, as shown and described.

**DESCRIPTION**

FIG. 1 is a perspective view of the elongated side handle for cookware showing my new design;  
FIG. 2 is a right side elevation view thereof; the left side elevation view being the mirror image thereof,  
FIG. 3 is a top plan view thereof;  
FIG. 4 is a bottom plan view thereof;  
FIG. 5 is a front elevation view thereof; and,  
FIG. 6 is a rear elevation view thereof.  
The broken lines in FIGS. 1, 2, 5 and 6 are for illustrative purposes only, depicting the environment of the new design, forming no part thereof as claimed.

**1 Claim, 3 Drawing Sheets**



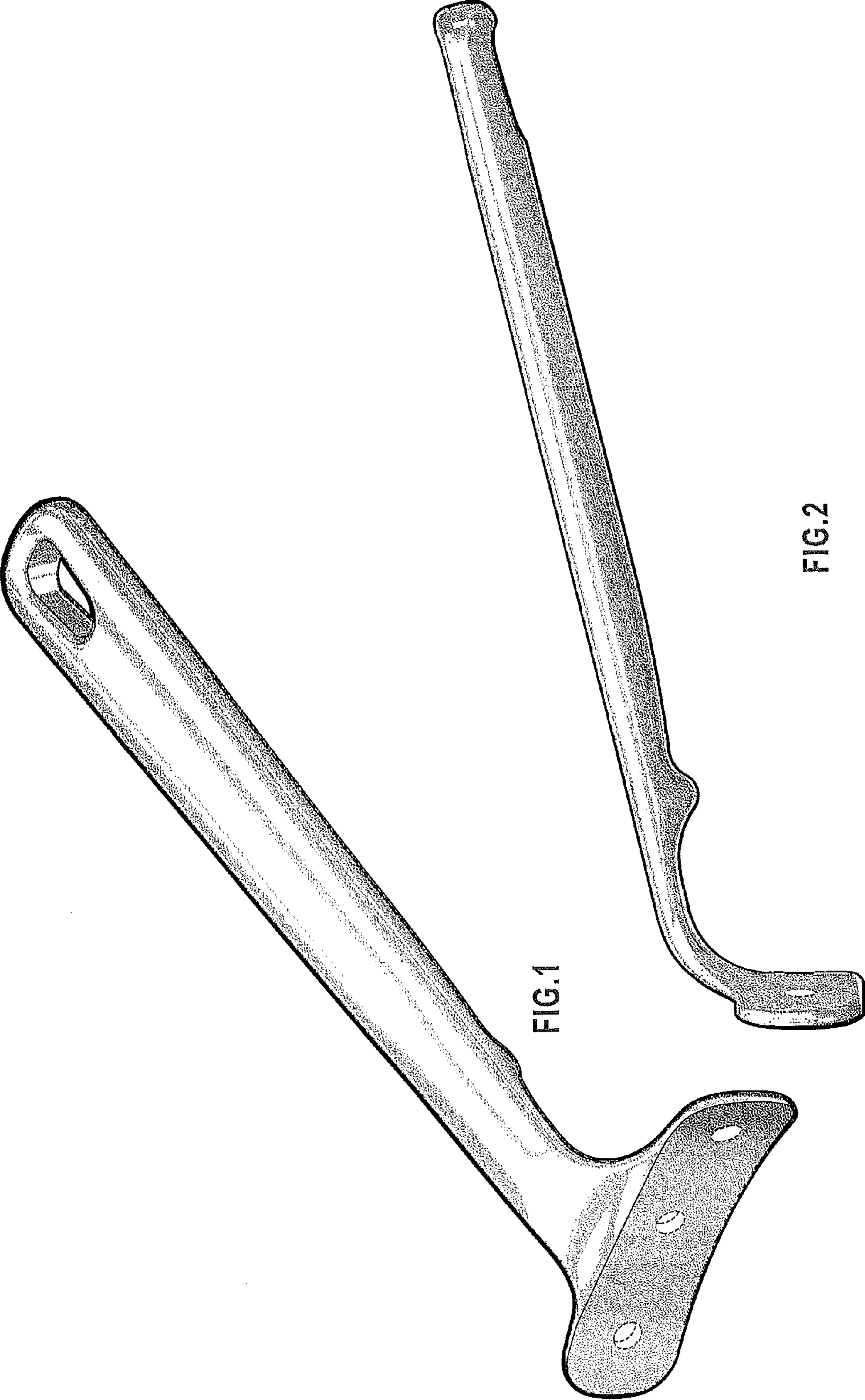


FIG.1

FIG.2

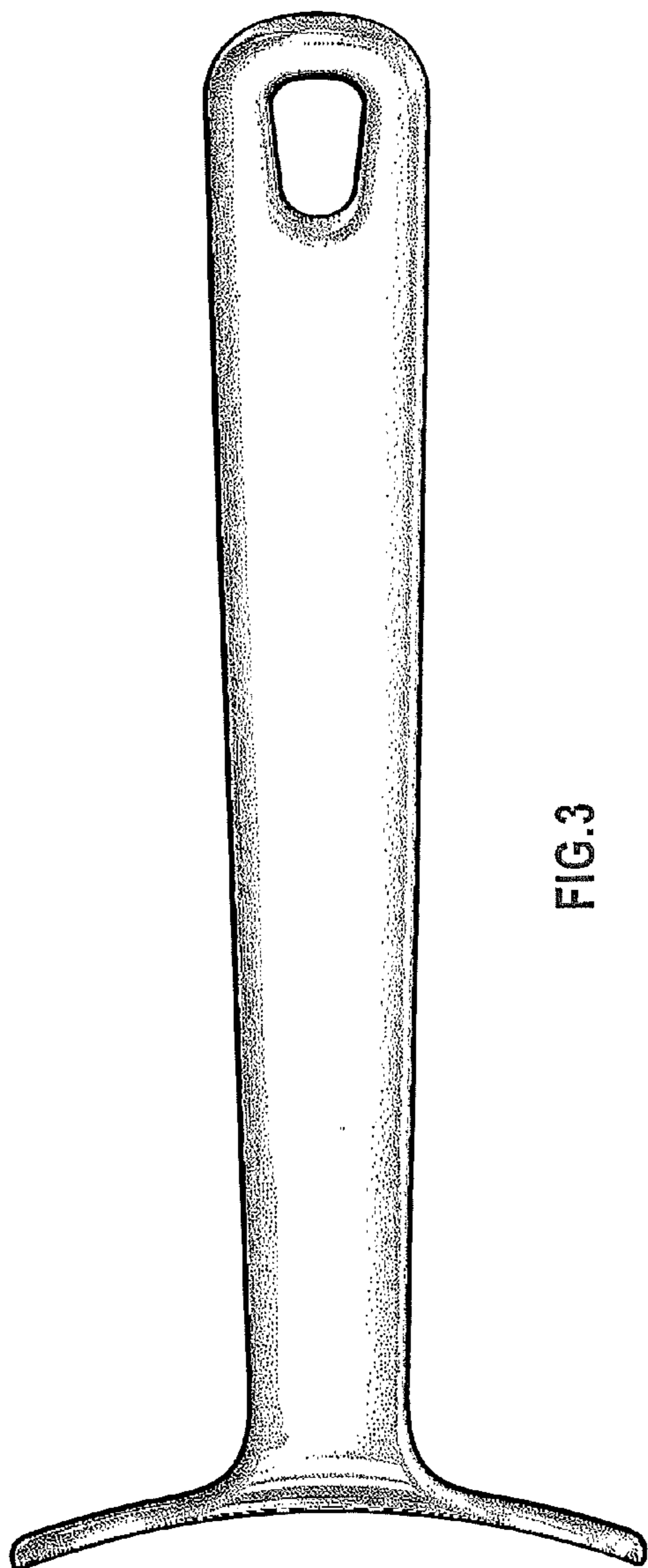


FIG.3

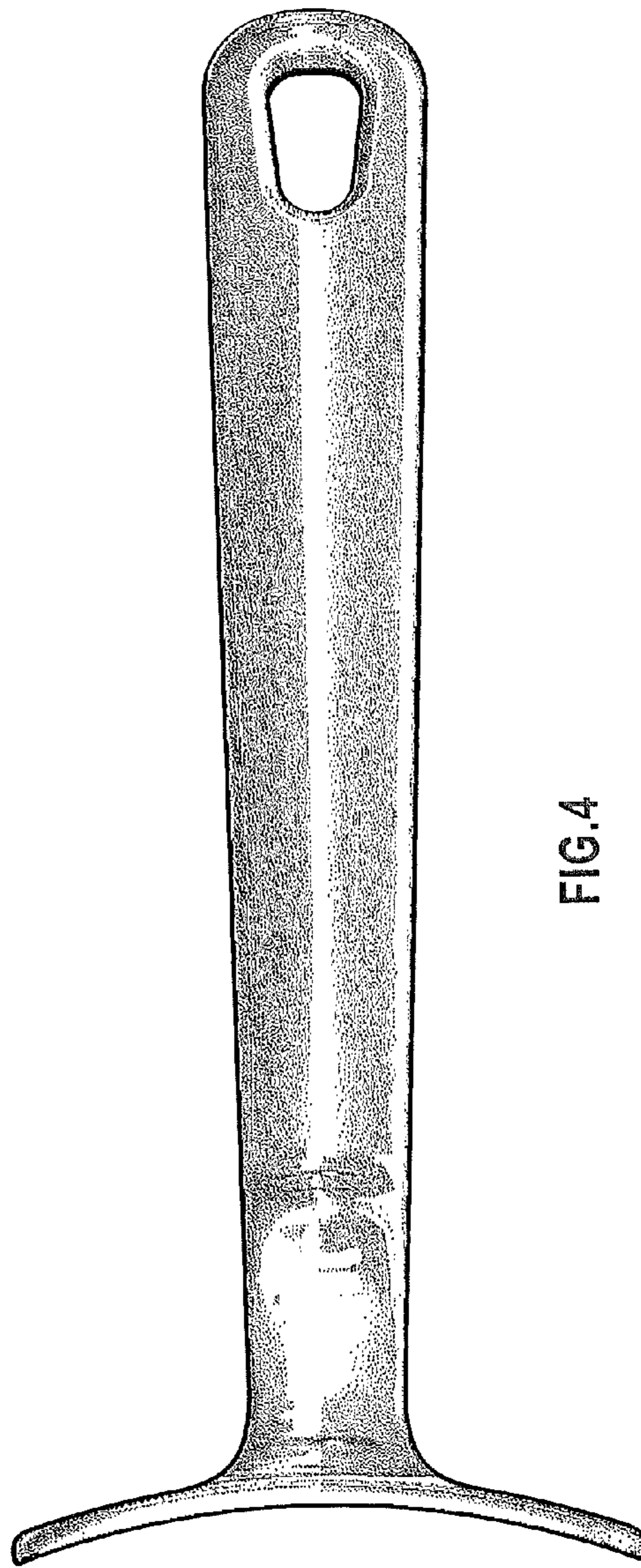


FIG.4

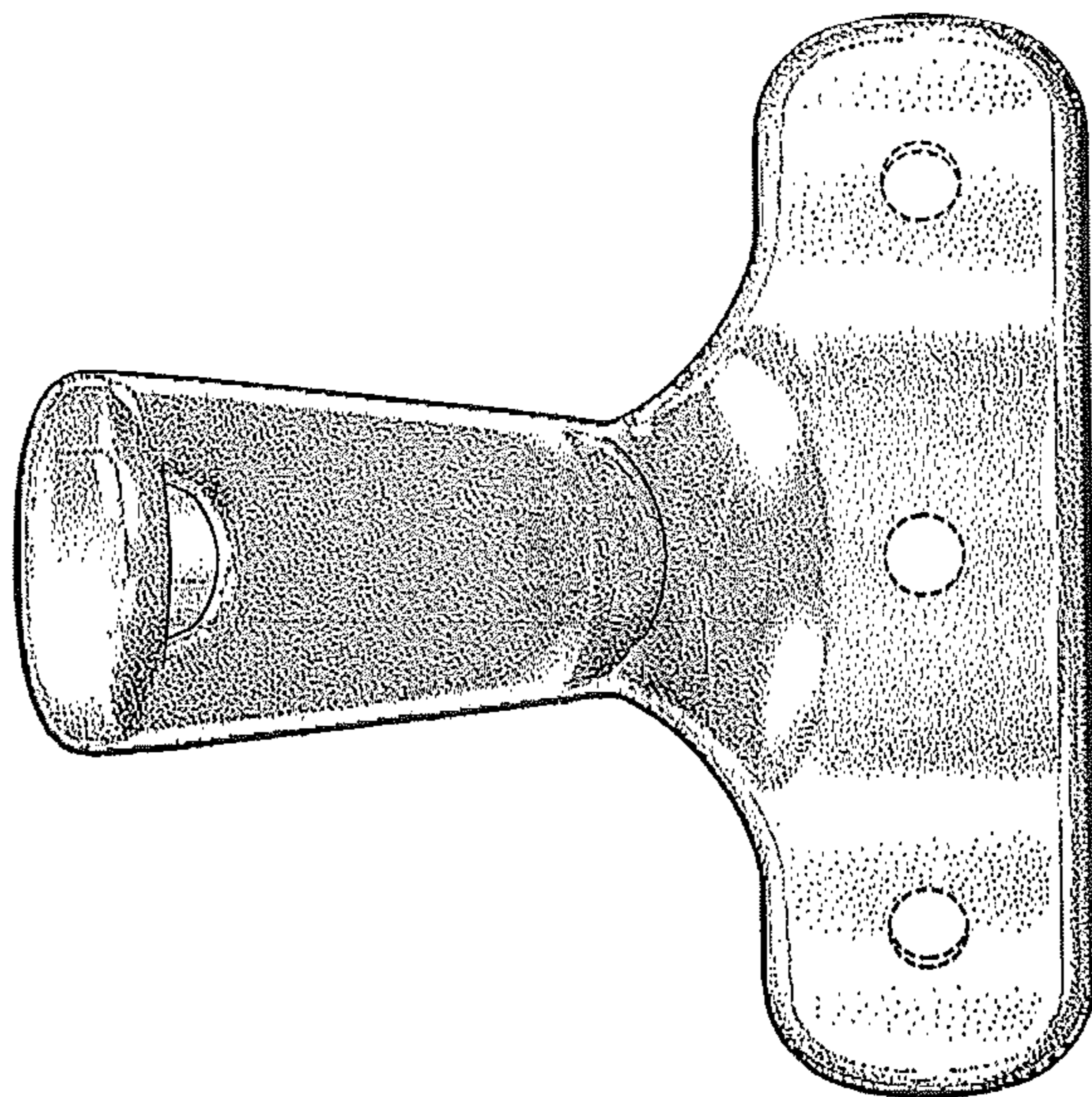


FIG. 6

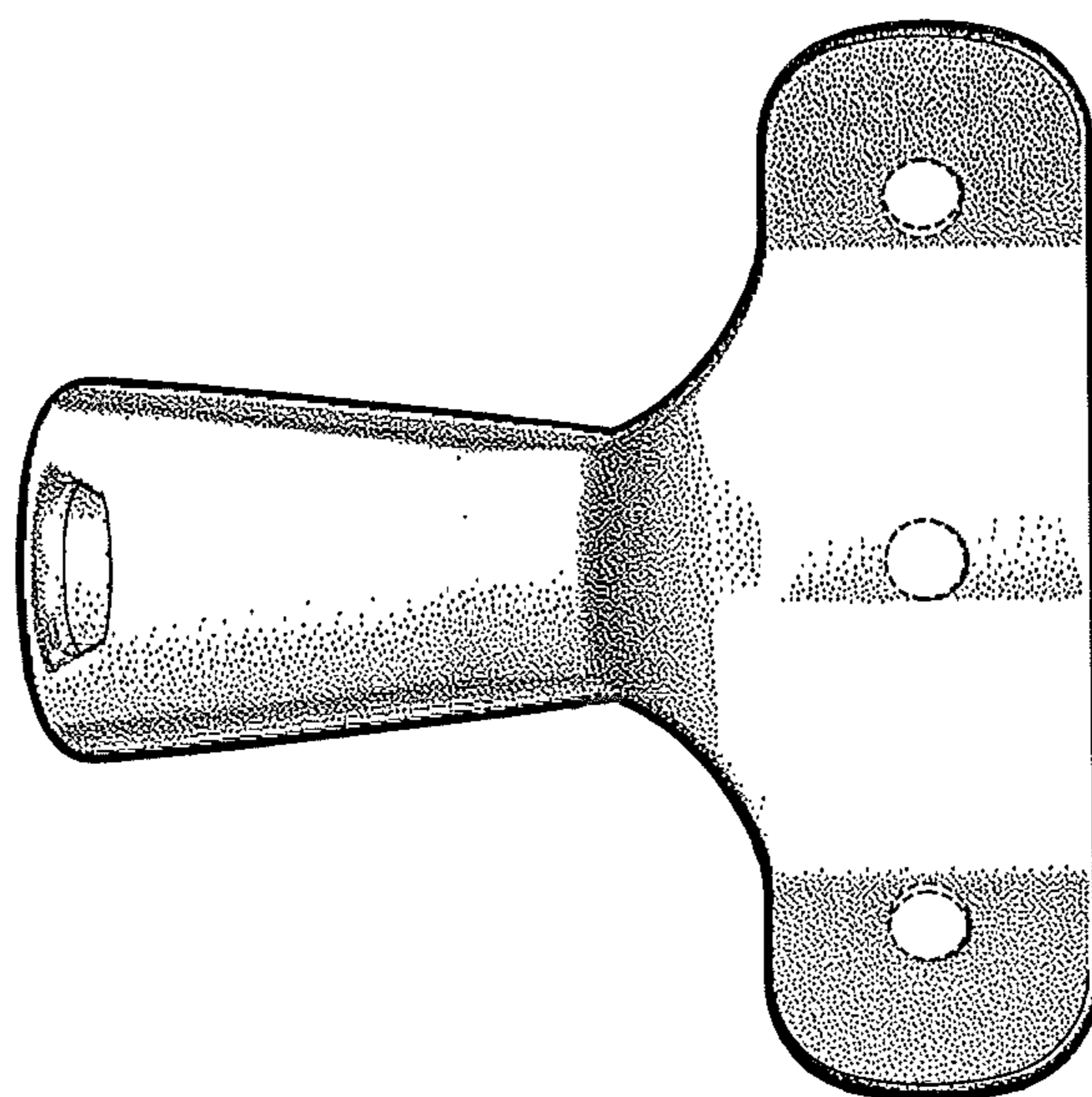


FIG. 5