



US00D740600S

(12) **United States Design Patent**
Damon

(10) **Patent No.:** **US D740,600 S**
(45) **Date of Patent:** **** Oct. 13, 2015**

- (54) **DRINK MACHINE**
- (71) Applicant: **Mars Drinks UK Ltd.**, Slough,
Berkshire (GB)
- (72) Inventor: **Jonas Damon**, New York, NY (US)
- (73) Assignee: **MARS DRINKS UK LTD.**, Slough,
Berkshire (GB)
- (**) Term: **14 Years**
- (21) Appl. No.: **29/486,828**
- (22) Filed: **Apr. 2, 2014**
- (51) **LOC (10) Cl.** **07-01**
- (52) **U.S. Cl.**
USPC **D7/307; D7/308**
- (58) **Field of Classification Search**
USPC D7/306-311, 305, 300, 313; 99/279,
99/284, 290, 280, 299, 307, 323.1;
222/23, 129.1; 62/395; D20/1
CPC A47J 31/44; B67D 1/0041; B67D 3/00
See application file for complete search history.

D395,975	S	*	7/1998	Munoz	D7/308
5,813,318	A	*	9/1998	Zanin et al.	99/291
6,862,978	B1	*	3/2005	Fogagnolo	99/279
D550,498	S	*	9/2007	Vicente Seguer	D7/309
D674,231	S	*	1/2013	Wilder et al.	D7/306
D682,001	S	*	5/2013	Verhaagen et al.	D7/309
D695,052	S	*	12/2013	Ottavi	D7/309
D699,066	S	*	2/2014	Arora et al.	D7/307
D699,501	S	*	2/2014	Arora et al.	D7/307
D707,485	S	*	6/2014	Thul et al.	D7/306

* cited by examiner

Primary Examiner — Marianne Pandozzi
(74) *Attorney, Agent, or Firm* — Arent Fox LLP

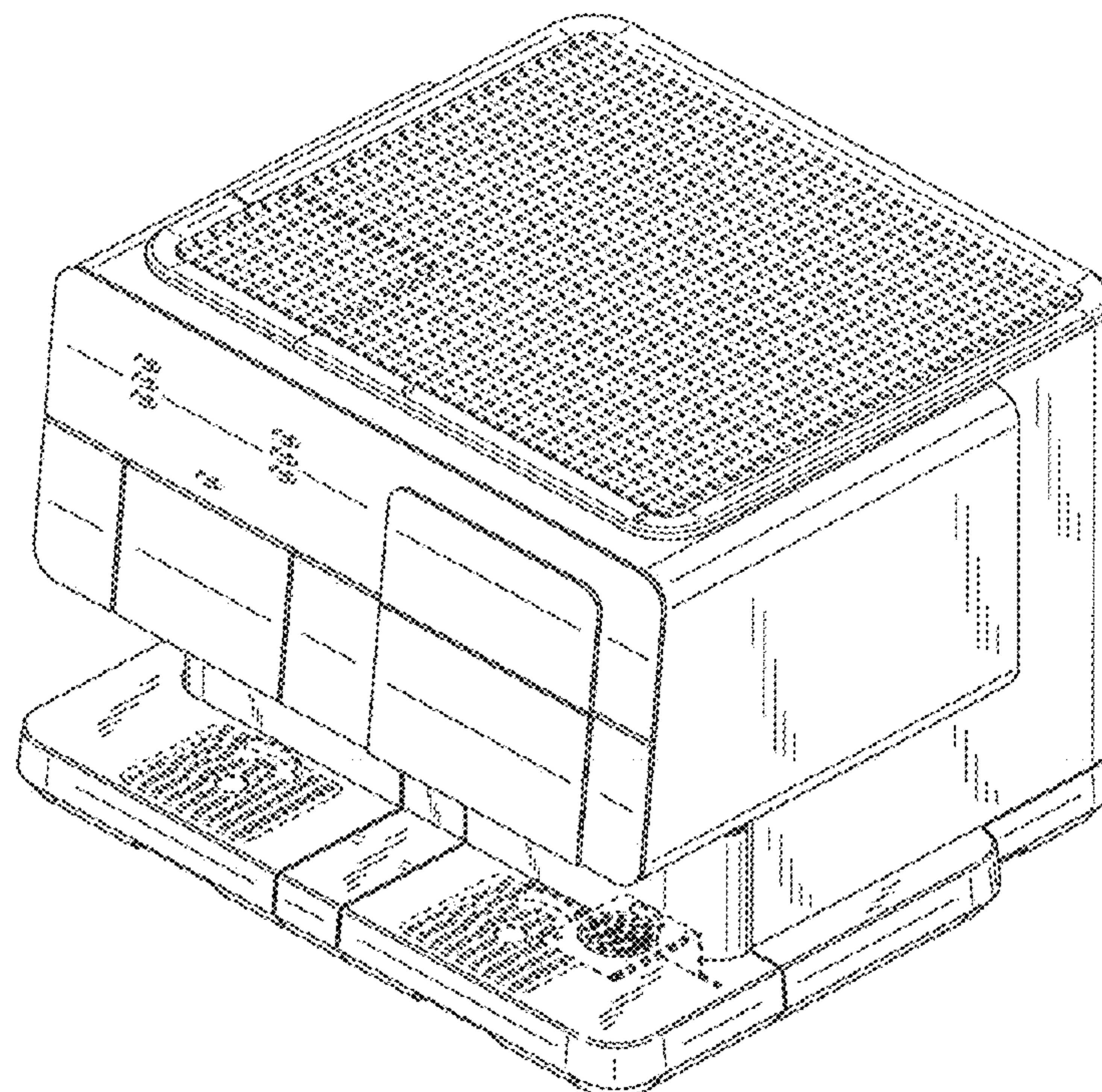
(57) **CLAIM**
The ornamental design for a drink machine, as shown and described.

DESCRIPTION

FIG. 1 is a perspective view of a drink machine showing my new design;
FIG. 2 is a front view of the design shown in FIG. 1;
FIG. 3 is a back view of the design shown in FIG. 1;
FIG. 4 is a left side view of the design shown in FIG. 1;
FIG. 5 is a right side view of the design shown in FIG. 1;
FIG. 6 is a top view of the design shown in FIG. 1; and,
FIG. 7 is a bottom view of the design shown in FIG. 1.
The broken lines shown in the drawings represent unclaimed portions of the drink machine and form no part of the claimed design.

1 Claim, 7 Drawing Sheets

- (56) **References Cited**
U.S. PATENT DOCUMENTS
- | | | | | | | |
|-----------|---|---|---------|----------------|-------|--------|
| 4,550,652 | A | * | 11/1985 | Da Silva | | 99/279 |
| D310,002 | S | * | 8/1990 | Rossio et al. | | D7/308 |
| D324,464 | S | * | 3/1992 | Credle et al. | | D7/308 |
| D337,018 | S | * | 7/1993 | Groover et al. | | D7/305 |
| D365,490 | S | * | 12/1995 | Pomeroy | | D7/309 |
| D389,693 | S | * | 1/1998 | Hawkins et al. | | D7/308 |



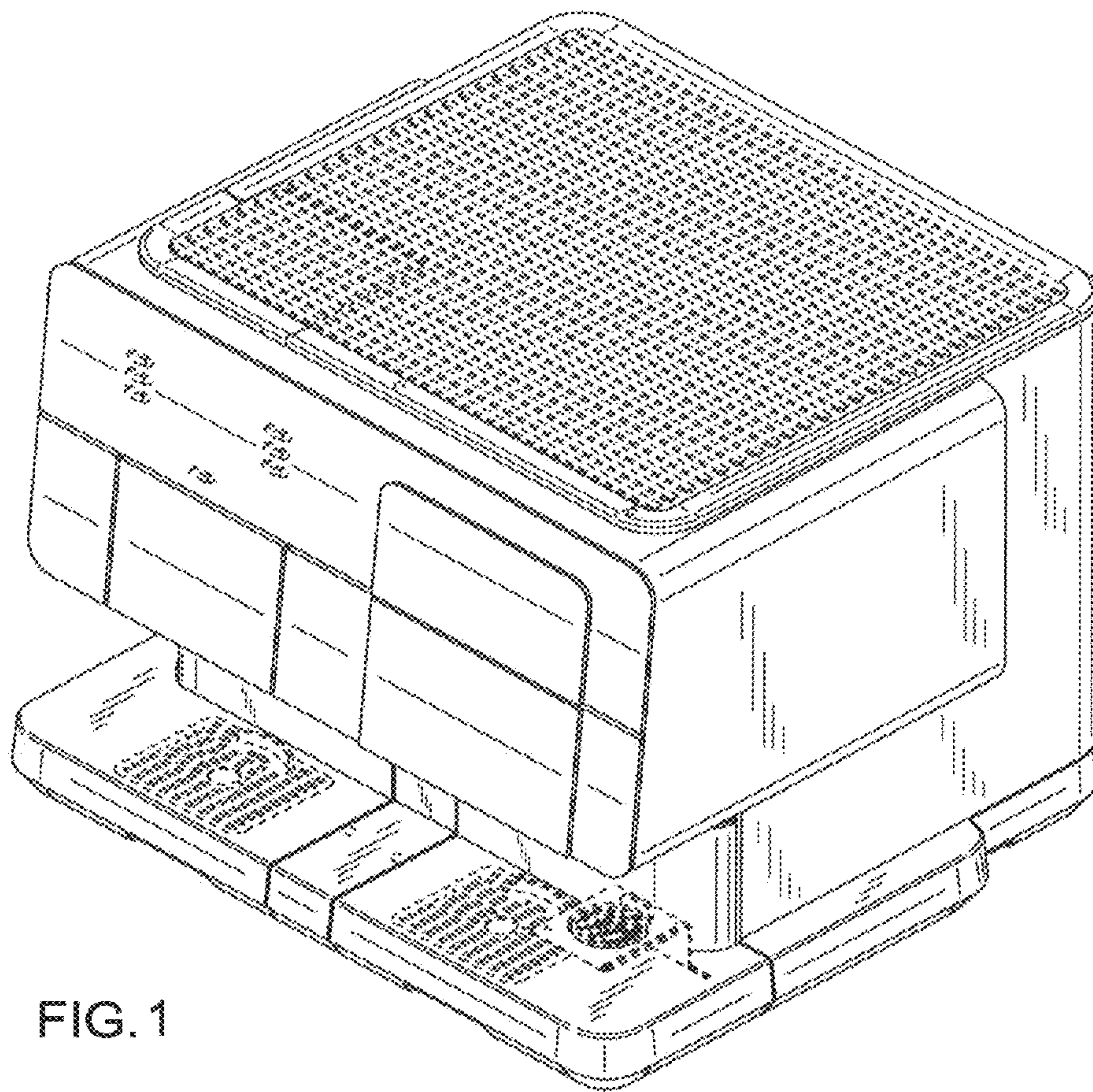


FIG. 1

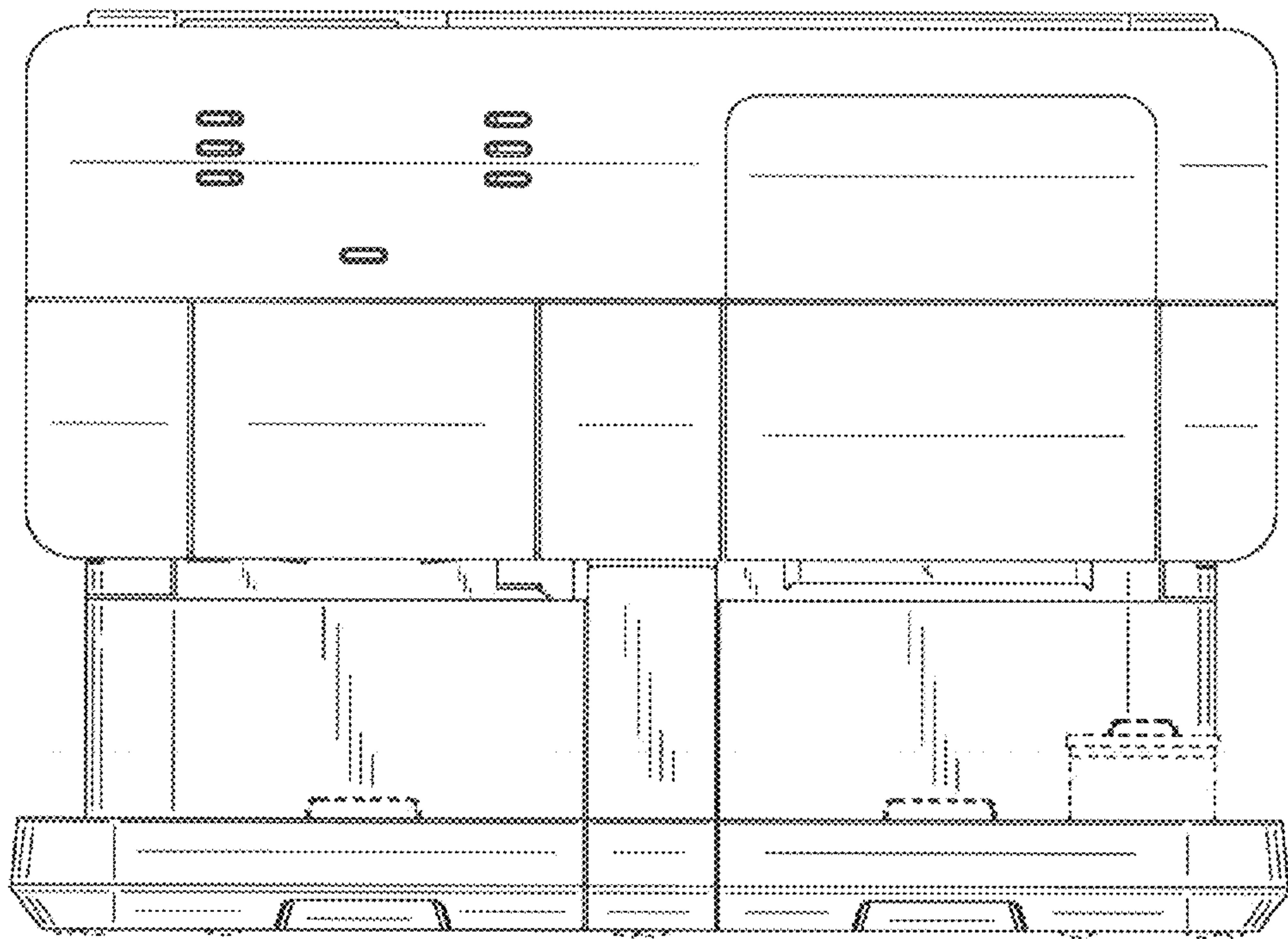


FIG. 2

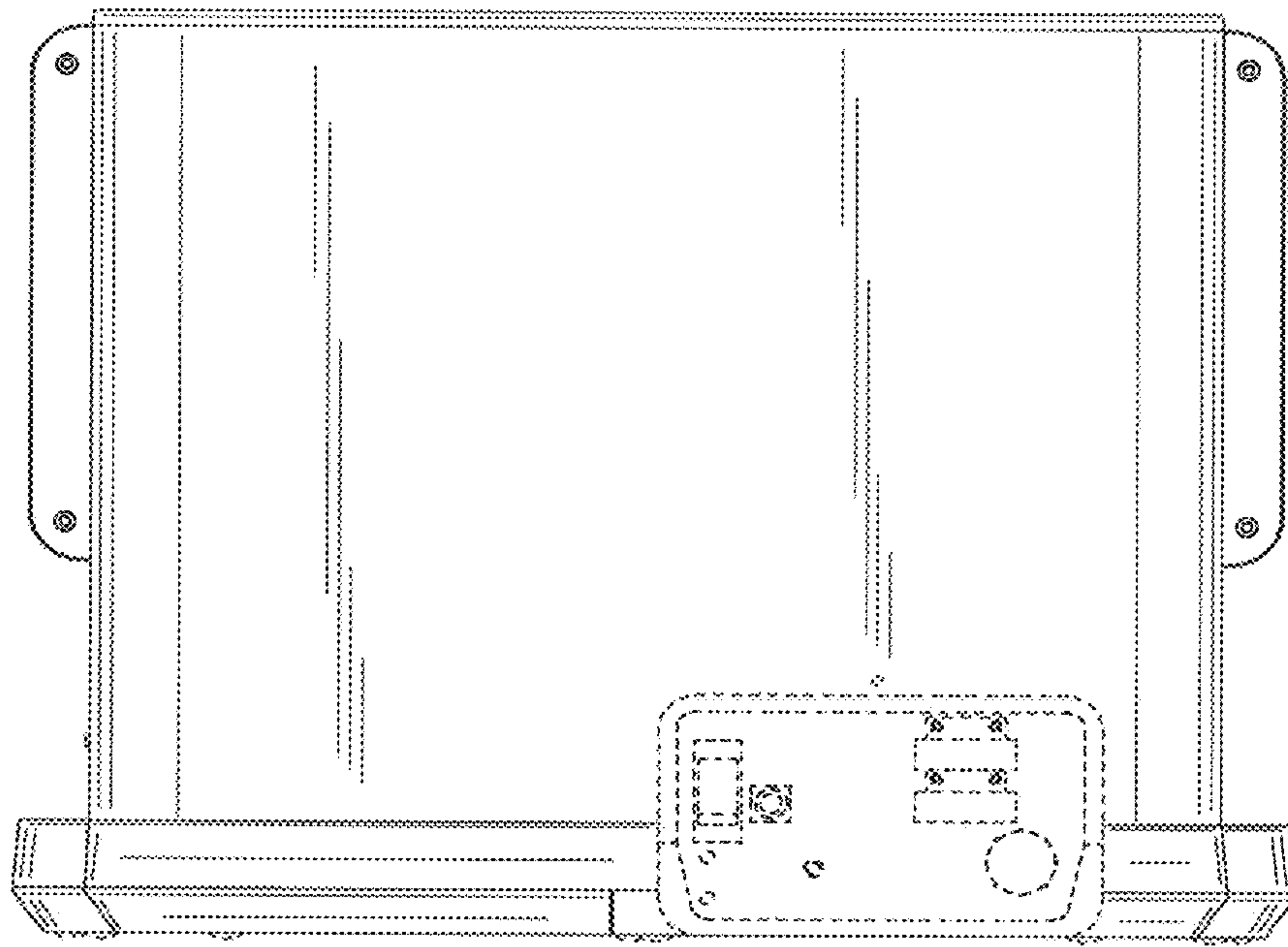


FIG. 3

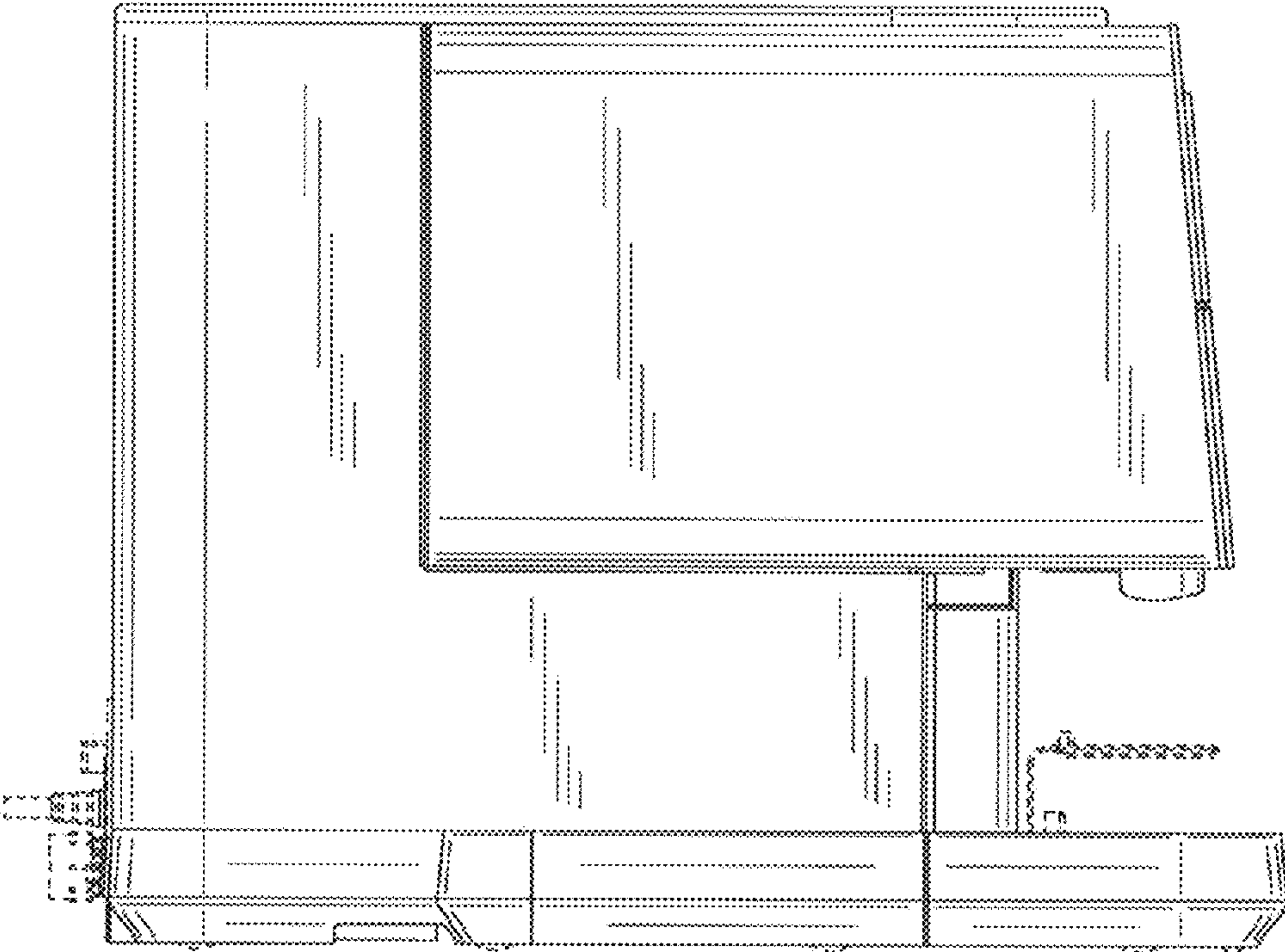


FIG. 4

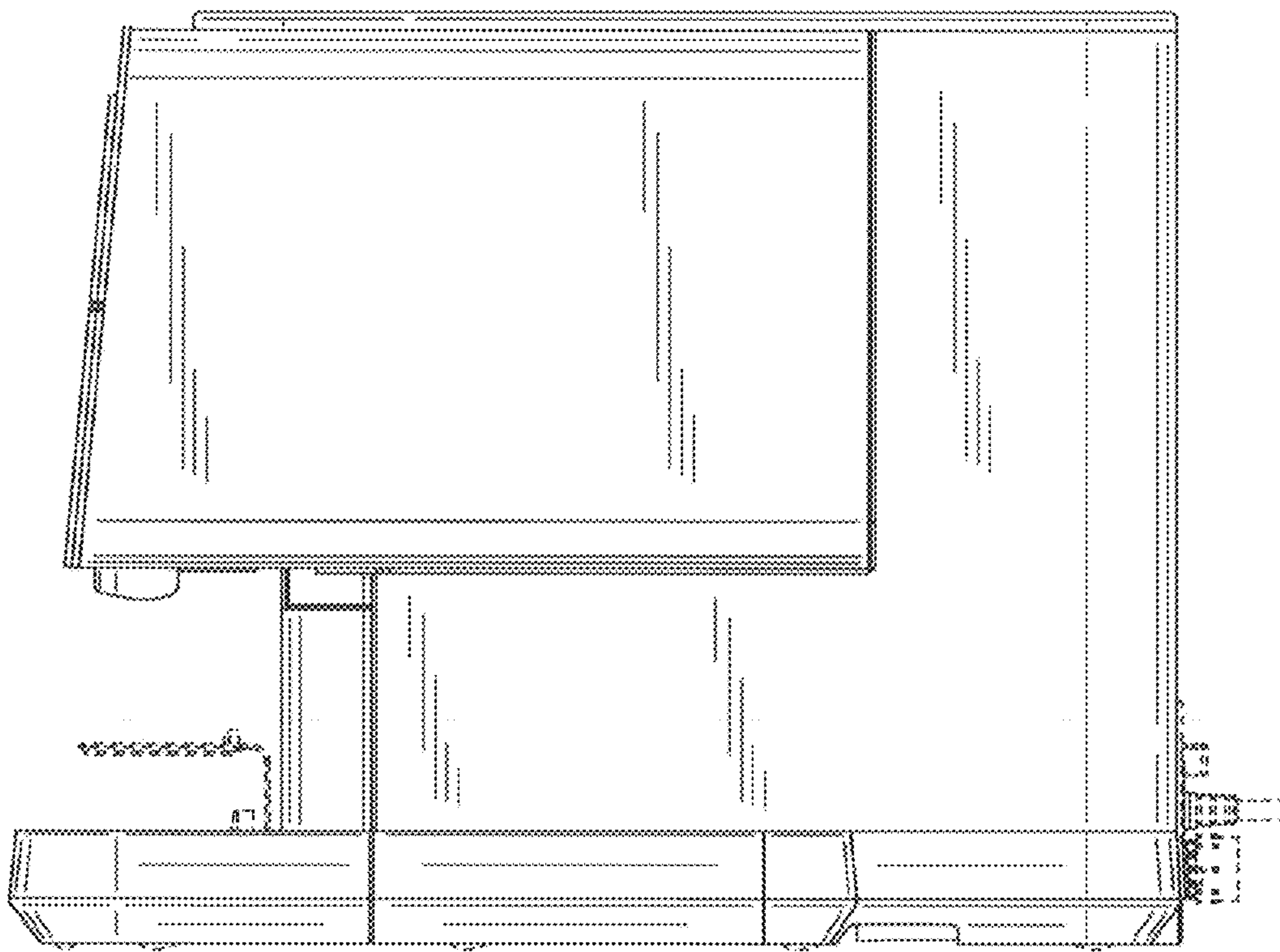


FIG. 5

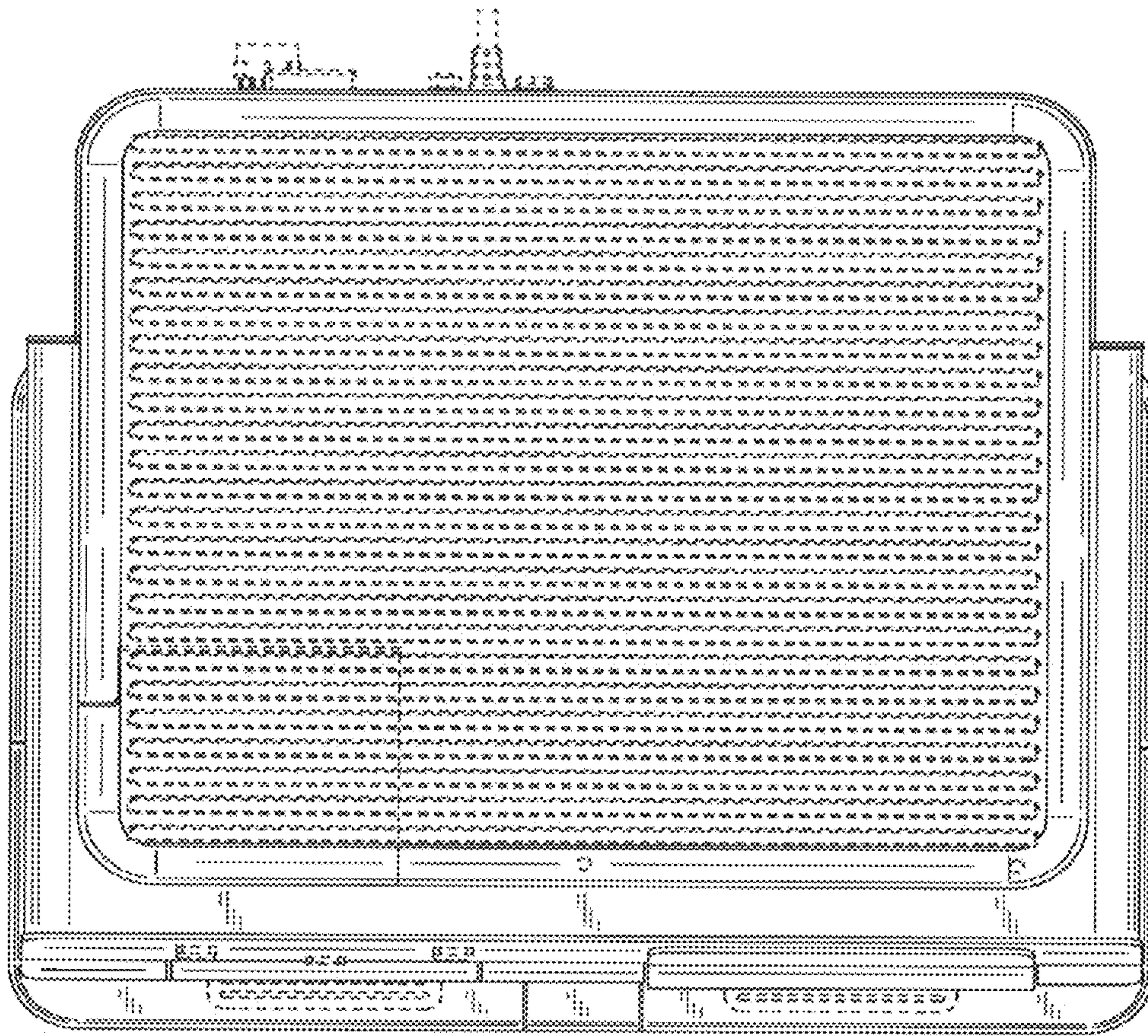


FIG. 6

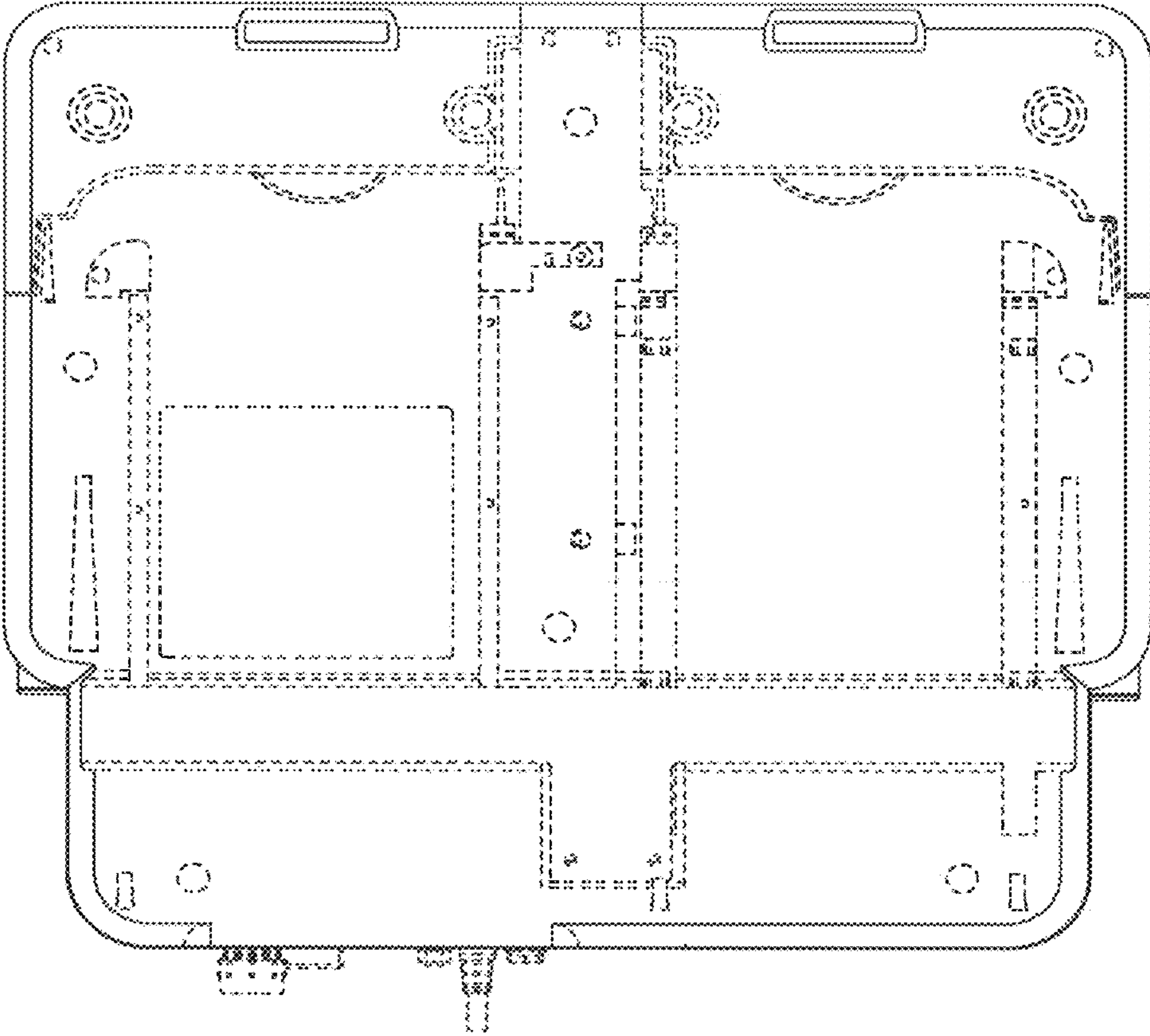


FIG. 7