



US00D740598S

(12) **United States Design Patent**  
**Toh**

(10) **Patent No.:** **US D740,598 S**

(45) **Date of Patent:** **\*\* Oct. 13, 2015**

(54) **SOFA BACK**

(71) Applicant: **HTL International Holdings Ltd,**  
Singapore (SG)

(72) Inventor: **Chye Seng Toh,** Singapore (SG)

(73) Assignee: **HTL International Holdings, Ltd.,**  
Singapore (SG)

(\*\*) Term: **14 Years**

(21) Appl. No.: **29/509,617**

(22) Filed: **Nov. 19, 2014**

(51) **LOC (10) Cl.** ..... **06-01**

(52) **U.S. Cl.**  
USPC ..... **D6/716.4**

(58) **Field of Classification Search**  
USPC ..... 22/334–338, 349, 355, 361, 368–370,  
22/376, 379–381, 716, 716.1, 716.2, 340,  
22/354, 377, 709, 710, 716.4, 367, 716.5;  
297/16.1, 42, 94, 135, 175, 232, 233,  
297/350, 351, 445.1, 448.1, 448.2, 451.9,  
297/452.1, DIG. 7; 5/12.1, 12.2  
CPC ..... A47C 1/02; A47C 1/024; A47C 7/18;  
A47C 7/24; A47C 17/00; A47C 17/02;  
A47C 17/175

See application file for complete search history.

(56) **References Cited**

U.S. PATENT DOCUMENTS

835,770 A *	11/1906	Williams	.....	5/47
D258,328 S *	2/1981	Williams	.....	D6/358
D385,122 S *	10/1997	Hutton	.....	D6/381
D504,030 S *	4/2005	Ricci	.....	D6/381
D512,847 S *	12/2005	Ricci	.....	D6/381
D543,049 S *	5/2007	Gibson	.....	D6/381
D544,246 S *	6/2007	Ricci	.....	D6/381
D587,479 S *	3/2009	Thompson	.....	D6/381
D616,664 S *	6/2010	Natuzzi	.....	D6/381
D677,493 S *	3/2013	Masson	.....	D6/381
D683,158 S *	5/2013	Banda	.....	D6/381
D718,951 S *	12/2014	Hughes	.....	D6/381
D725,929 S *	4/2015	Liu	.....	D6/381
D725,930 S *	4/2015	Liu	.....	D6/381

\* cited by examiner

*Primary Examiner* — Sandra Snapp

(74) *Attorney, Agent, or Firm* — Maier & Maier, PLLC

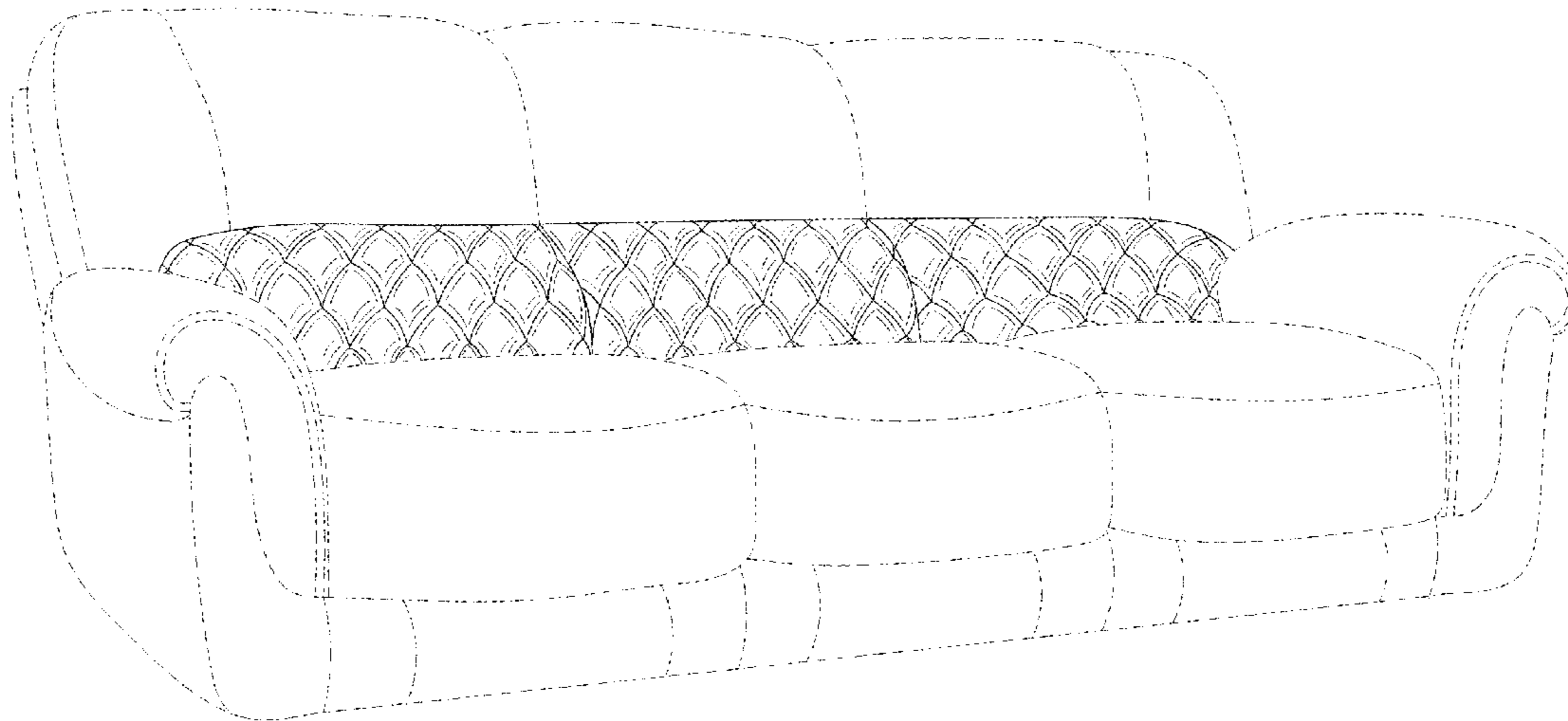
(57) **CLAIM**

The ornamental design for a sofa back, as shown and described.

**DESCRIPTION**

FIG. 1 is a front perspective view of an exemplary sofa back;  
FIG. 2 is a front elevation view thereof;  
FIG. 3 is a top plan view thereof;  
FIG. 4 is a left side view thereof; and,  
FIG. 5 is a right side view thereof.  
The dashed broken line showing in the Figures is for illustrative purposes only and forms no part of the claimed design.

**1 Claim, 4 Drawing Sheets**



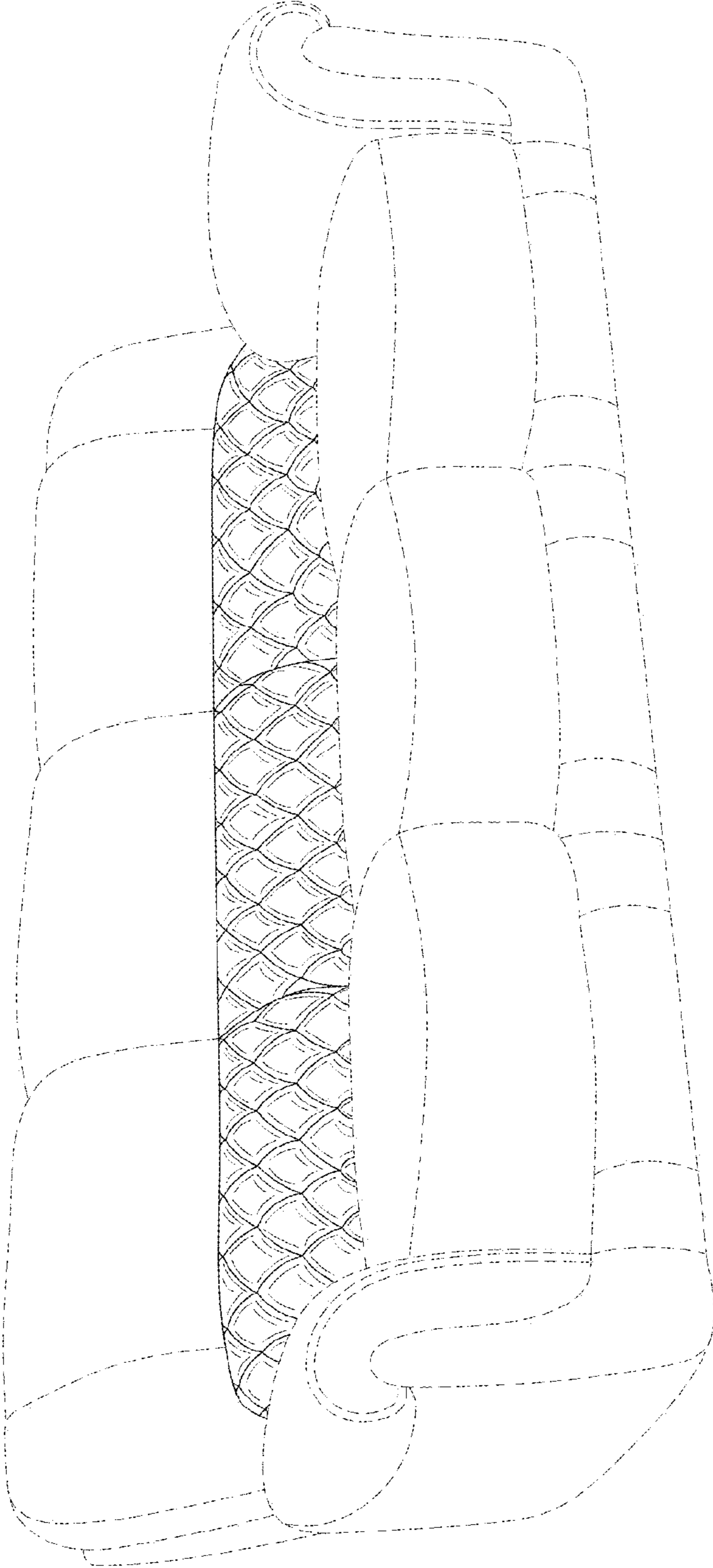


FIG. 1

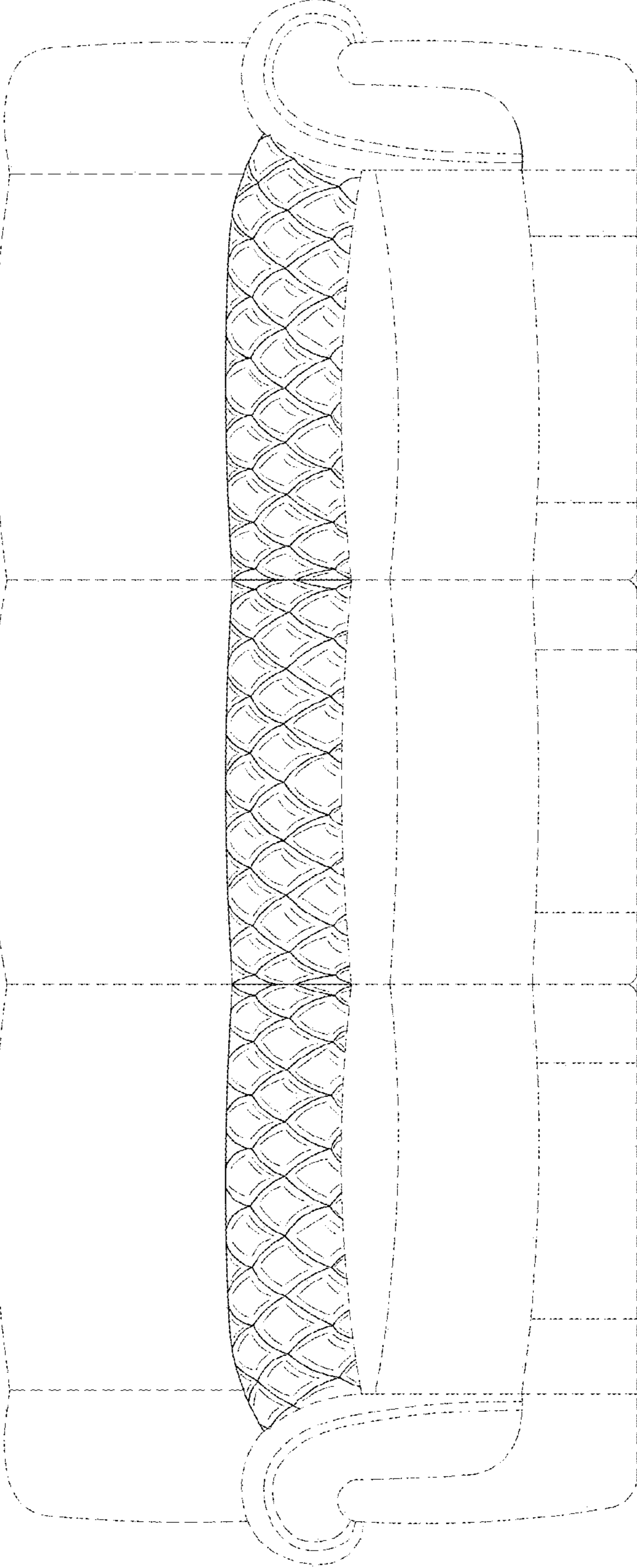


FIG. 2

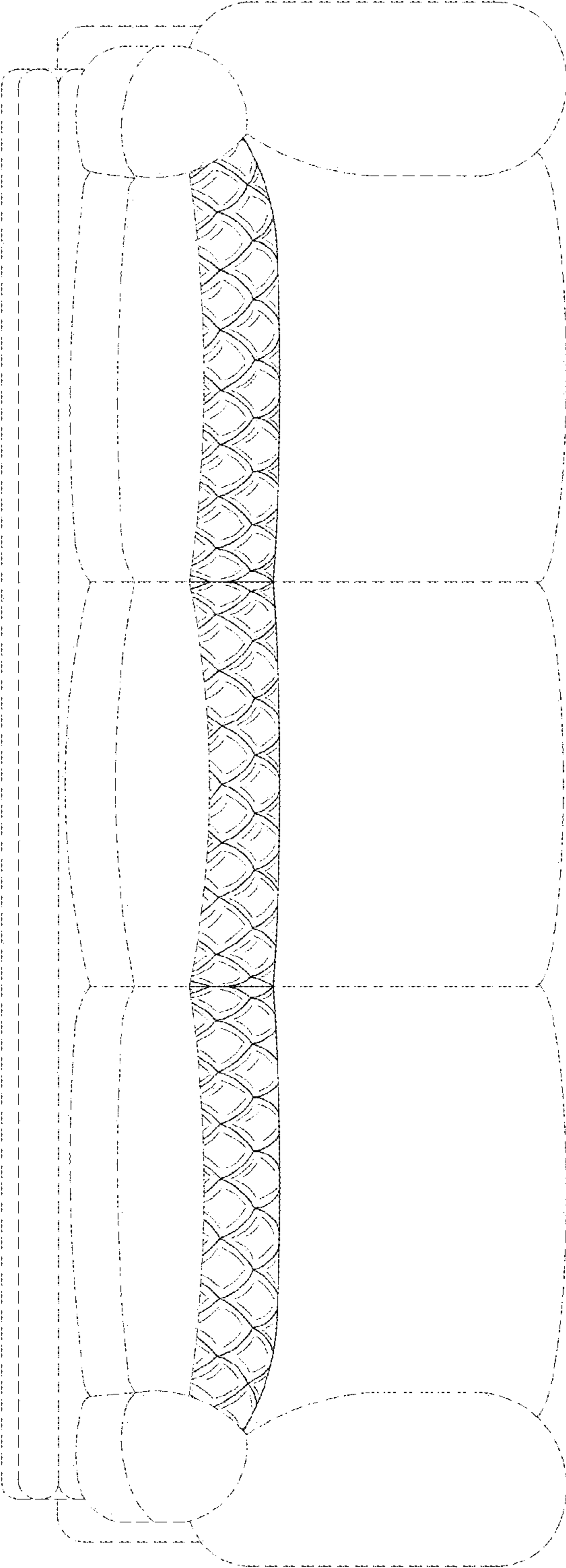


FIG. 3

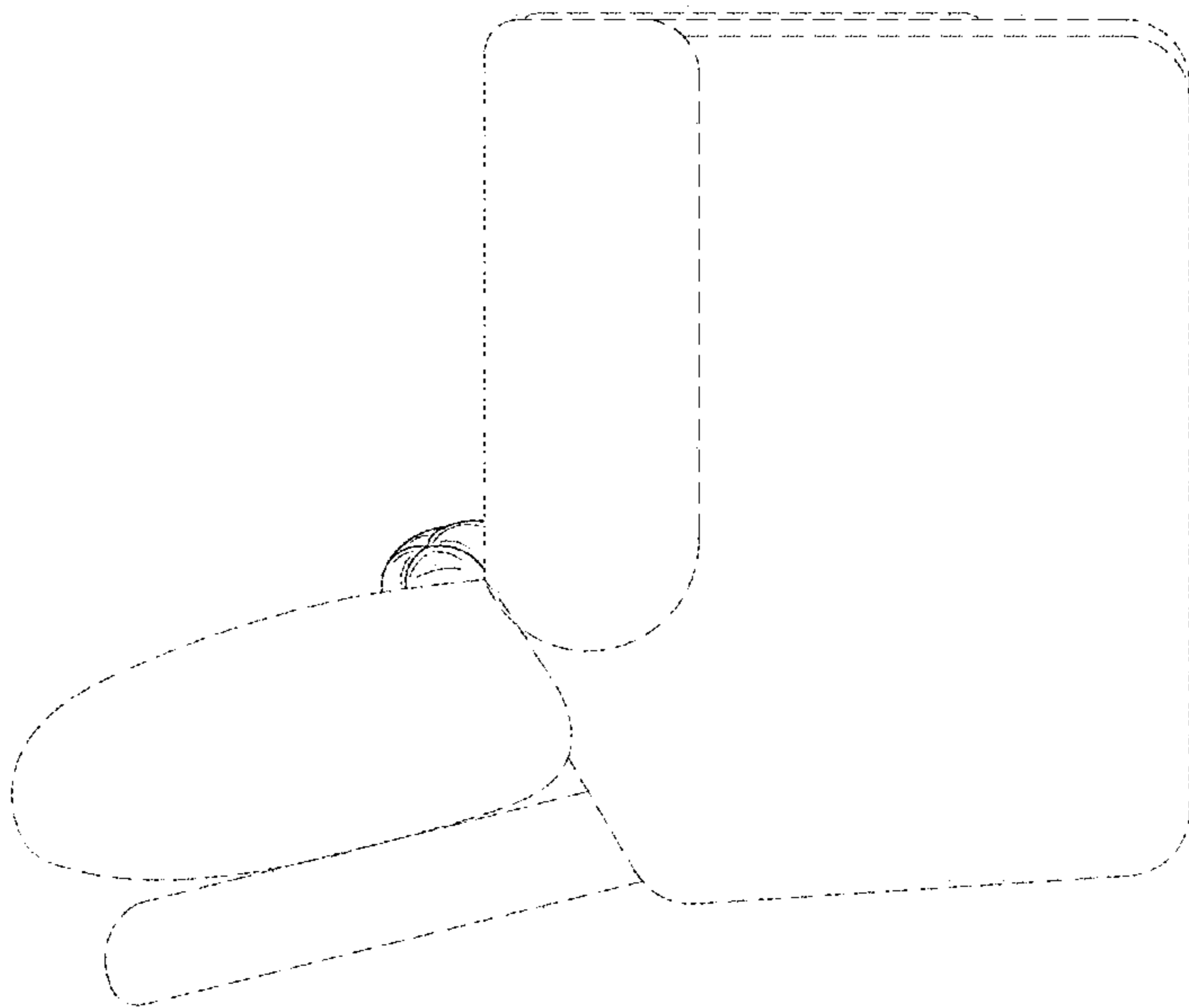


FIG. 5

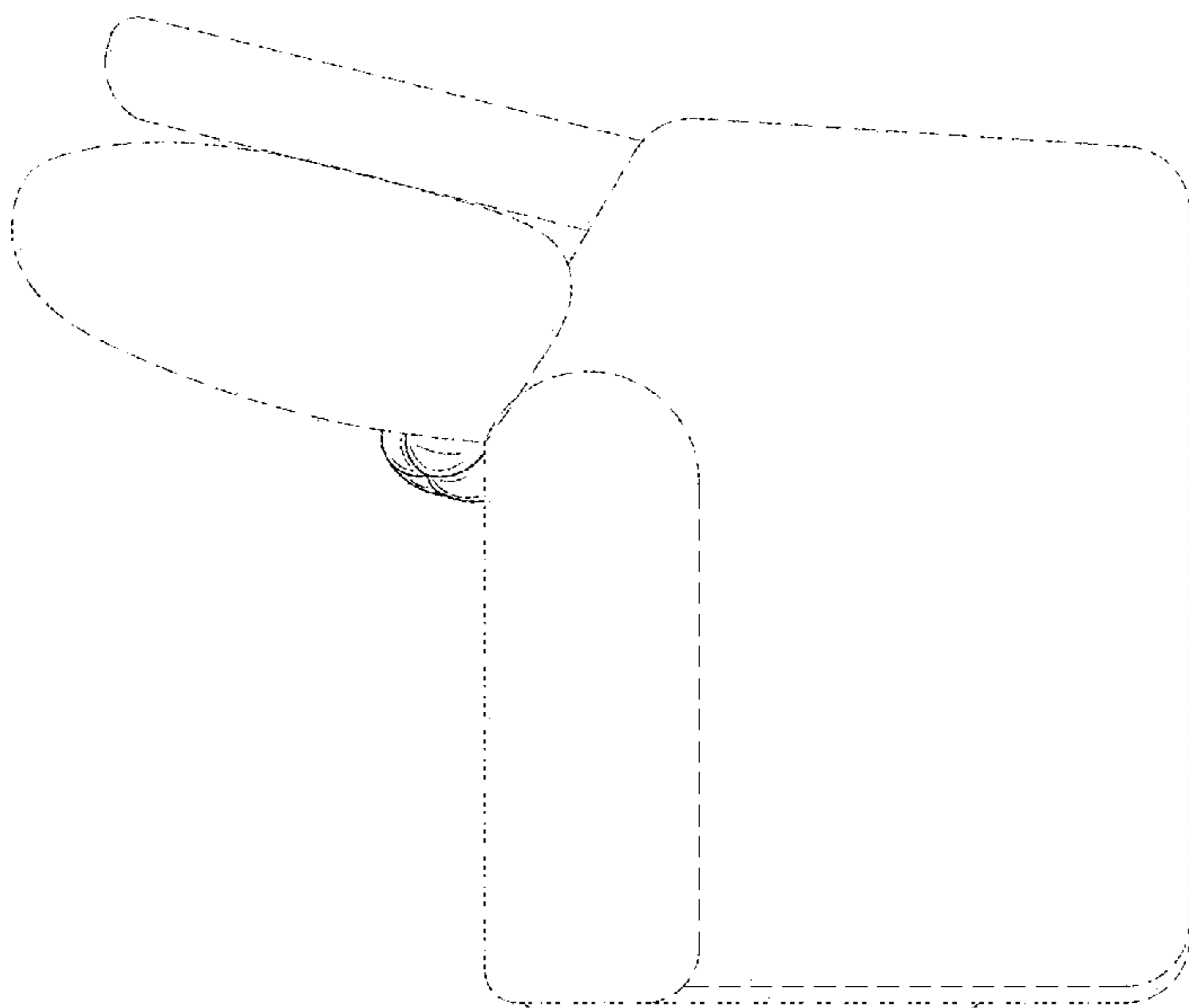


FIG. 4