



US00D740596S

(12) **United States Design Patent**
Toh

(10) **Patent No.:** **US D740,596 S**
(45) **Date of Patent:** **** Oct. 13, 2015**

(54) **SOFA PIPING**

(56) **References Cited**

(71) Applicant: **HTL International Holdings Ltd,**
Singapore (SG)

U.S. PATENT DOCUMENTS

(72) Inventor: **Chye Seng Toh,** Singapore (SG)

D376,265	S	*	12/1996	Lewis et al.	D6/334
D390,372	S	*	2/1998	Lewis et al.	D6/381
D430,738	S	*	9/2000	Zaidman	D6/334
D540,563	S	*	4/2007	Natuzzi	D6/381
D613,959	S	*	4/2010	Crockett	D6/381
D634,941	S	*	3/2011	Crockett	D6/381

(73) Assignee: **HTL International Holdings, Ltd.,**
Singapore (SG)

* cited by examiner

(**) Term: **14 Years**

Primary Examiner — Sandra Snapp

(21) Appl. No.: **29/509,602**

(74) *Attorney, Agent, or Firm* — Maier & Maier, PLLC

(22) Filed: **Nov. 19, 2014**

(57) **CLAIM**

(51) **LOC (10) Cl.** **06-01**

The ornamental design for sofa piping, as shown and described.

(52) **U.S. Cl.**

DESCRIPTION

USPC **D6/716**

(58) **Field of Classification Search**

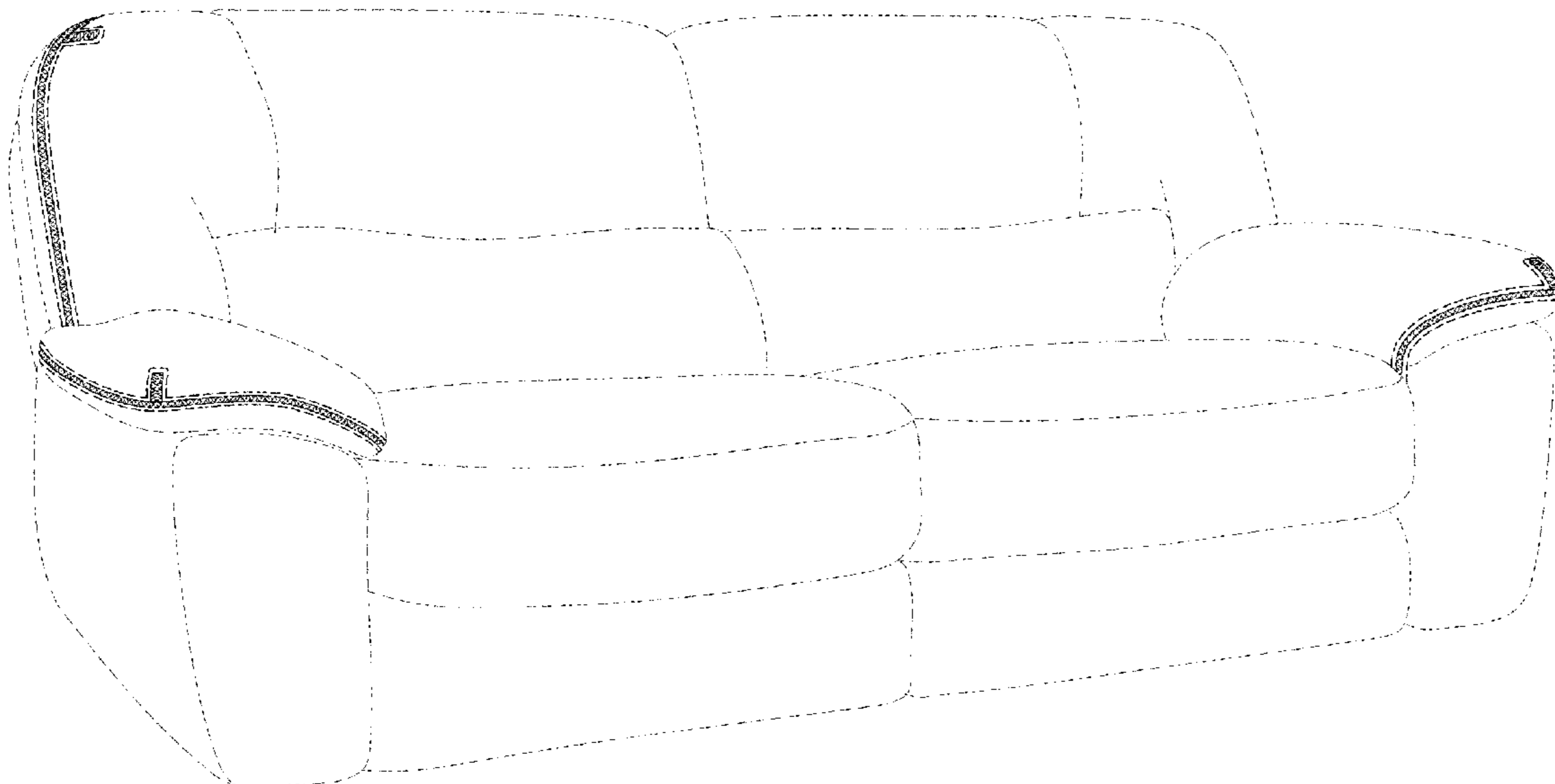
USPC 22/334–338, 349, 355, 361, 368–370,
22/376, 379–381, 716, 716.1, 716.2, 340,
22/354, 377, 709, 710, 716.4, 367, 716.5;
297/16.1, 42, 94, 135, 175, 232, 233,
297/350, 351, 445.1, 448.1, 448.2, 451.9,
297/452.1, DIG. 7; 5/12.1, 12.2
CPC A47C 1/02; A47C 1/024; A47C 7/18;
A47C 7/24; A47C 17/00; A47C 17/02;
A47C 17/175

FIG. 1 is a front perspective view of exemplary sofa piping;
FIG. 2 is a front elevation view thereof;
FIG. 3 is a top plan view thereof;
FIG. 4 is a rear elevation view thereof;
FIG. 5 is a bottom plan view thereof;
FIG. 6 is a left side view thereof; and,
FIG. 7 is a right side view thereof.

The dashed broken line showing in the Figures is for illustrative purposes only and forms no part of the claimed design.

See application file for complete search history.

1 Claim, 6 Drawing Sheets



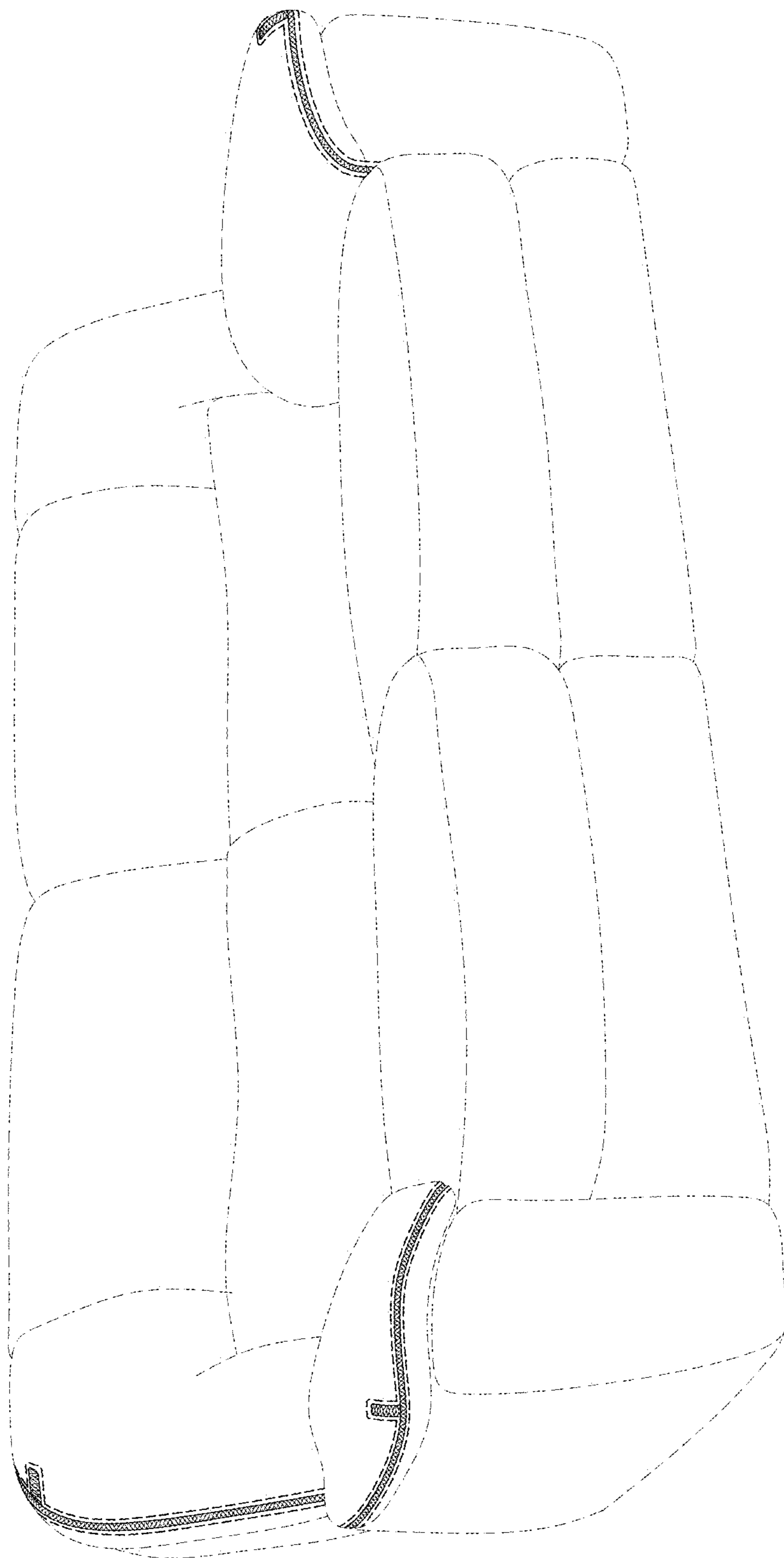


FIG. 1

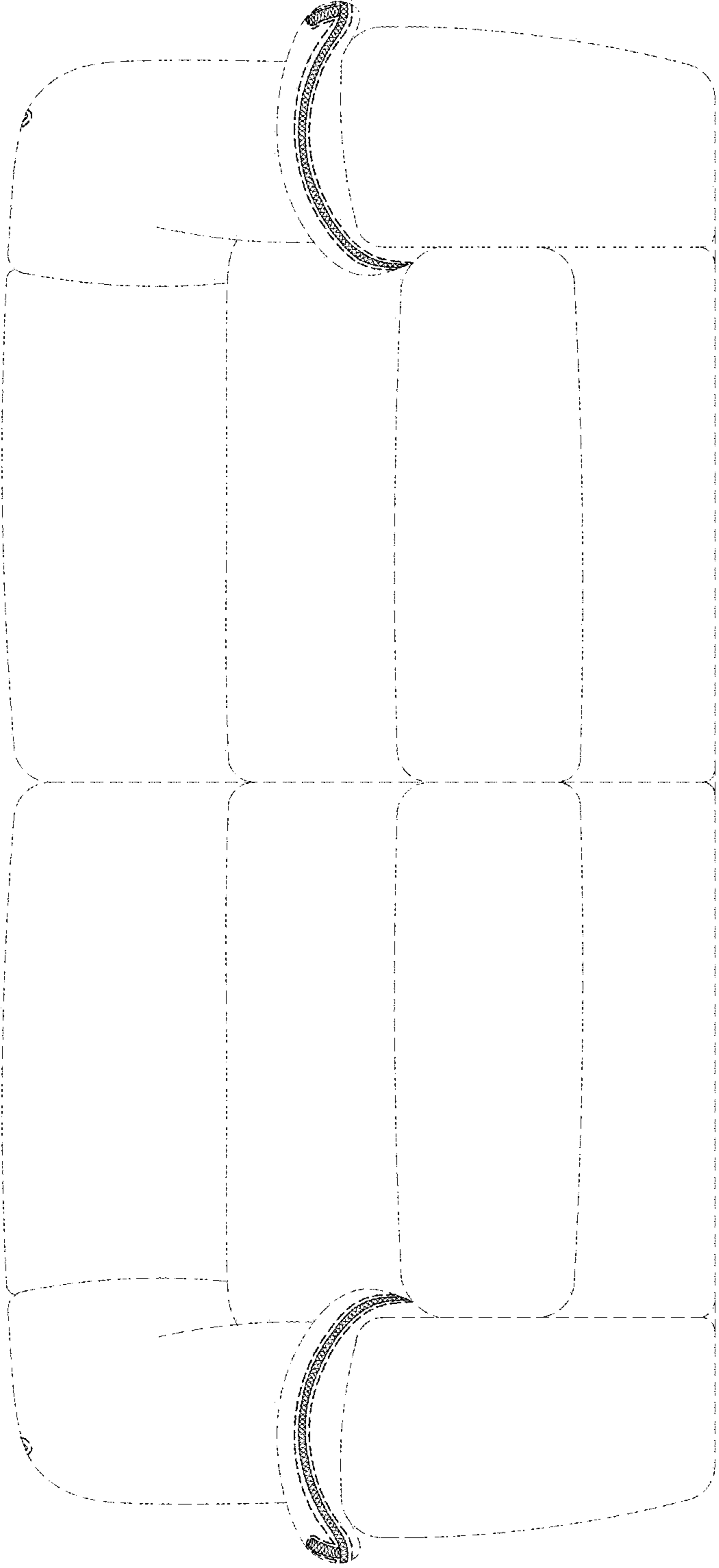


FIG. 2

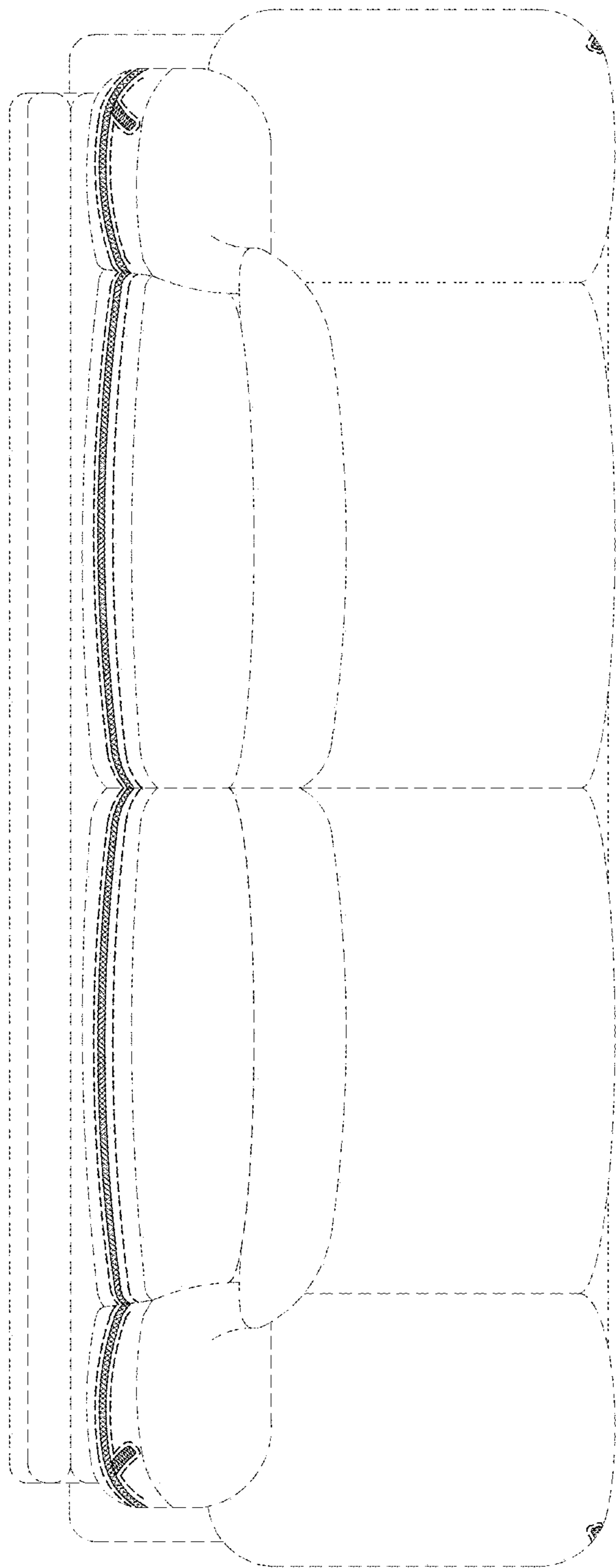


FIG. 3

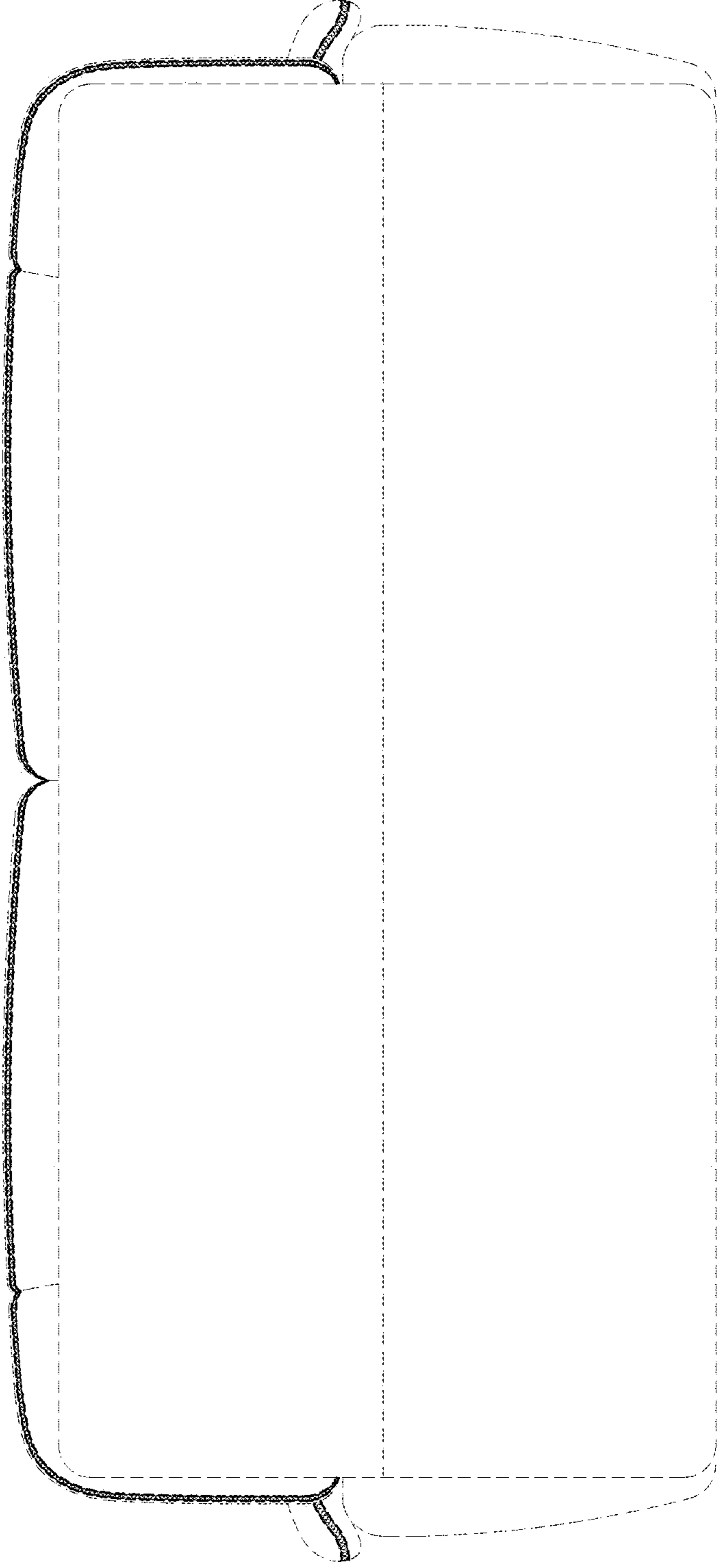


FIG. 4

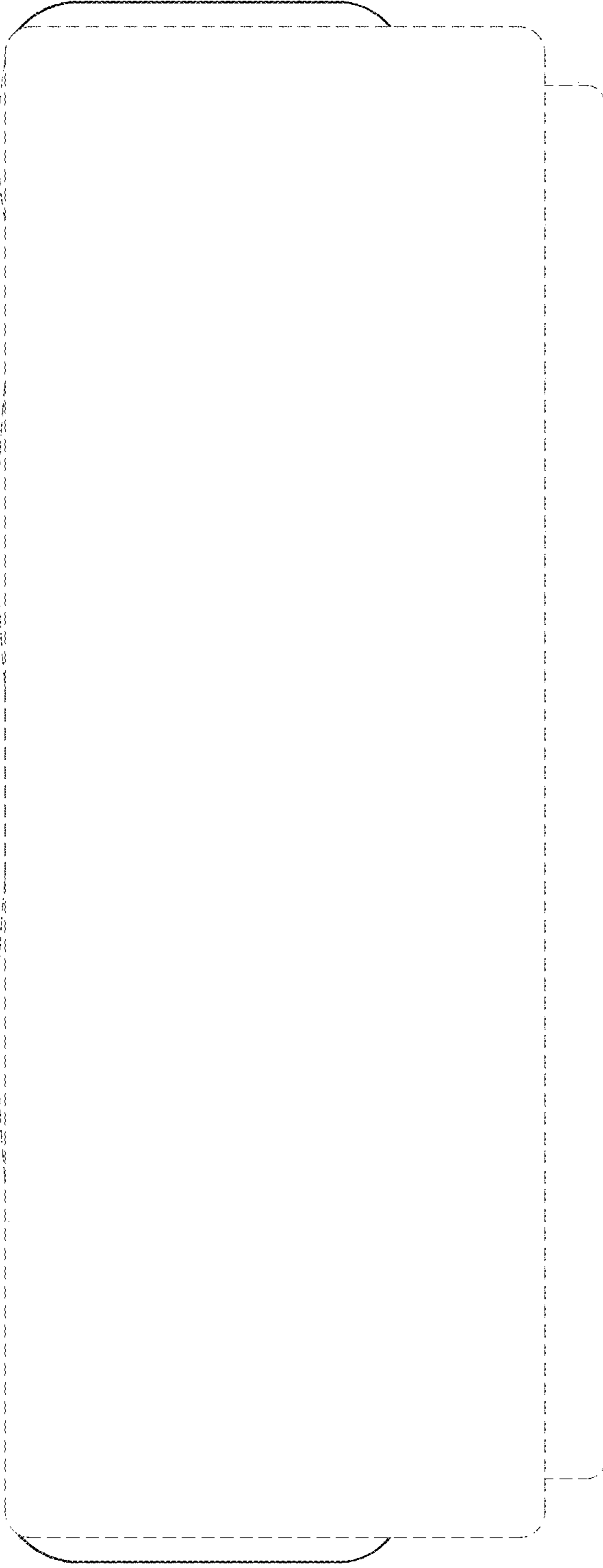


FIG. 5

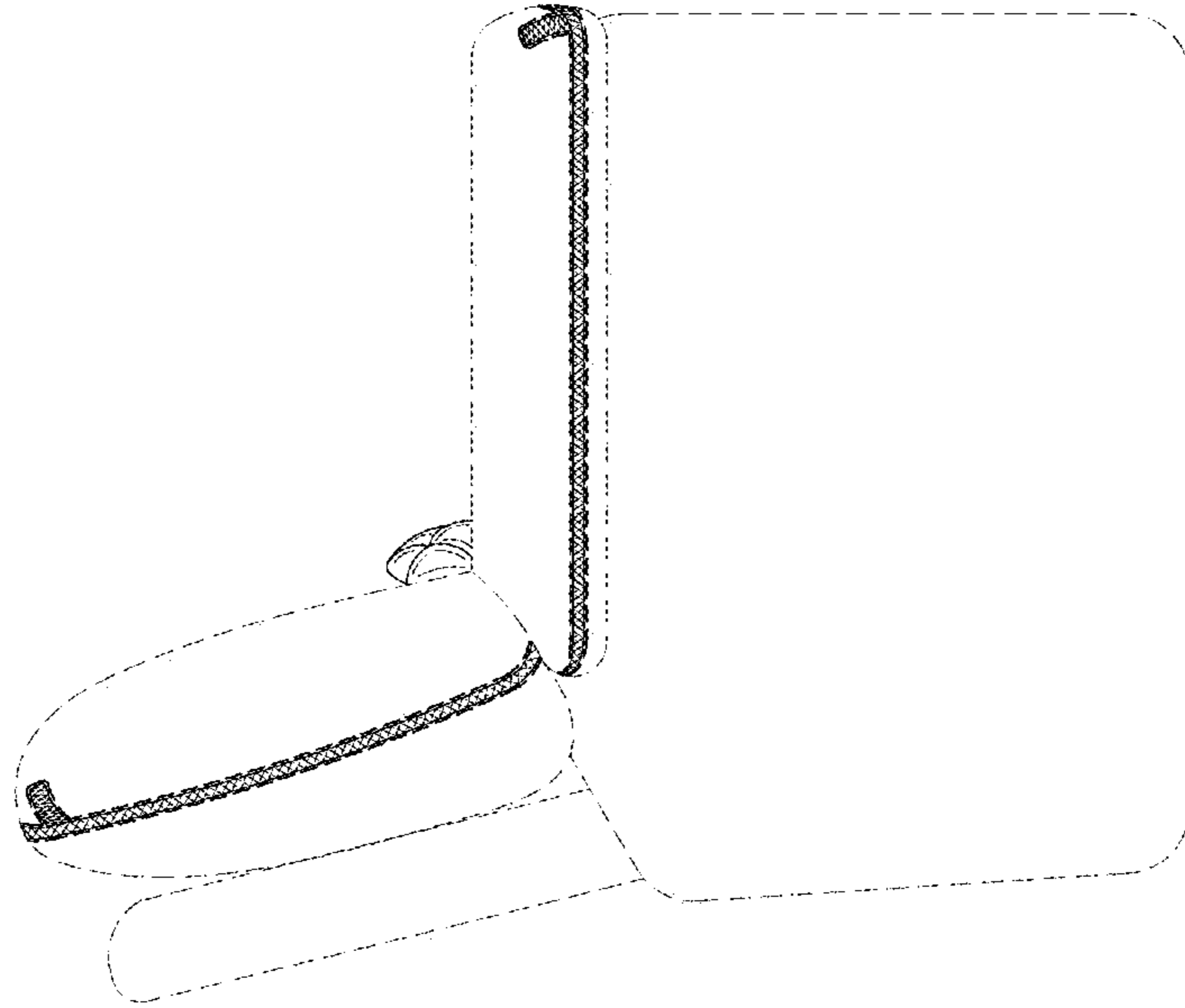


FIG. 6

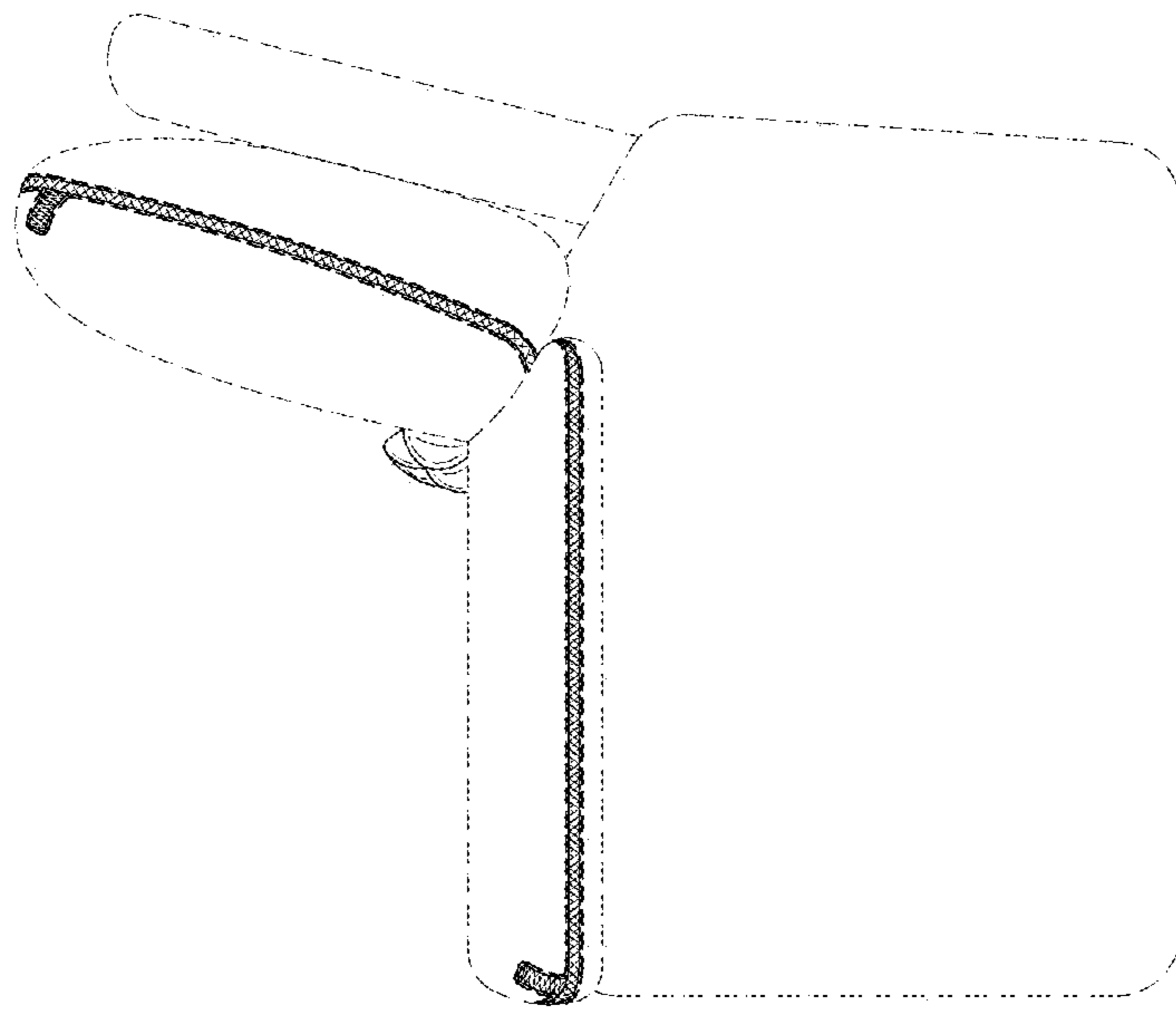


FIG. 7