



US00D740595S

(12) **United States Design Patent**
Kim et al.

(10) **Patent No.:** **US D740,595 S**
(45) **Date of Patent:** **** Oct. 13, 2015**

(54) **DISPLAY BOOTH**

(71) Applicant: **Samsung Electronics Co., Ltd.**,
Suwon-si (KR)
(72) Inventors: **Sangtae Kim**, Sungnam-si (KR);
Chi-won Kim, Kunpo-si (KR); **Aeran**
Park, Suwon-si (KR); **Anna Jung**, Seoul
(KR)
(73) Assignee: **Samsung Electronics Co., Ltd.**,
Suwon-si (KR)

(**) Term: **14 Years**
(21) Appl. No.: **29/489,266**
(22) Filed: **Apr. 29, 2014**

(30) **Foreign Application Priority Data**

Nov. 6, 2013 (KR) 30-2013-0055891

(51) **LOC (10) Cl.** **06-04**

(52) **U.S. Cl.**
USPC **D6/672**

(58) **Field of Classification Search**

USPC D6/332, 342, 352, 362, 391, 514, 519,
D6/543, 552, 556, 570, 573, 576, 627, 630,
D6/633.14, 633.21, 635, 641, 652, 661.2,
D6/662, 664, 668.2, 670, 672, 673, 674,
D6/675, 675.1, 675.3, 675.4, 677.3, 677.4,
D6/678.3, 680.2, 681, 683.1, 685, 691.5,
D6/698, 699.1, 699.2, 700, 707.2, 718.28;
D7/305, 307, 334, 339, 341; D13/162,
D13/184; D14/133, 304, 451, 447, 900,
D14/902; D21/385, 419, 506, 509, 521,
D21/797; D24/185, 233; D25/1-35; 52/33,
52/36.1, 79.1-79.6, 80.1, 80.2, 90.1, 90.2,
52/91.1-91.3, 92.1-92.3, 93.1, 93.2,
52/169.6, 220.7, 239; 99/331, 483;
108/50.02; 312/198
CPC .. A47B 83/001; A47B 21/06; A47B 2200/01;
A47B 2037/005; E04B 2002/7483; E04B
2002/7488; H02G 3/288

See application file for complete search history.

(56) **References Cited**

U.S. PATENT DOCUMENTS

D246,407 S * 11/1977 Holdam, Jr. D6/656.11
D258,789 S * 4/1981 Verdesca D6/655.17
D289,035 S * 3/1987 Lepoix D13/184
D306,664 S * 3/1990 Pouch D6/699
D399,834 S * 10/1998 Calfee D14/451
D456,643 S * 5/2002 Harner D6/691.5

(Continued)

FOREIGN PATENT DOCUMENTS

KR 300704943.0000 * 8/2013

Primary Examiner — Thomas Johannes
Assistant Examiner — Catherine Posthauer
(74) *Attorney, Agent, or Firm* — NSIP Law

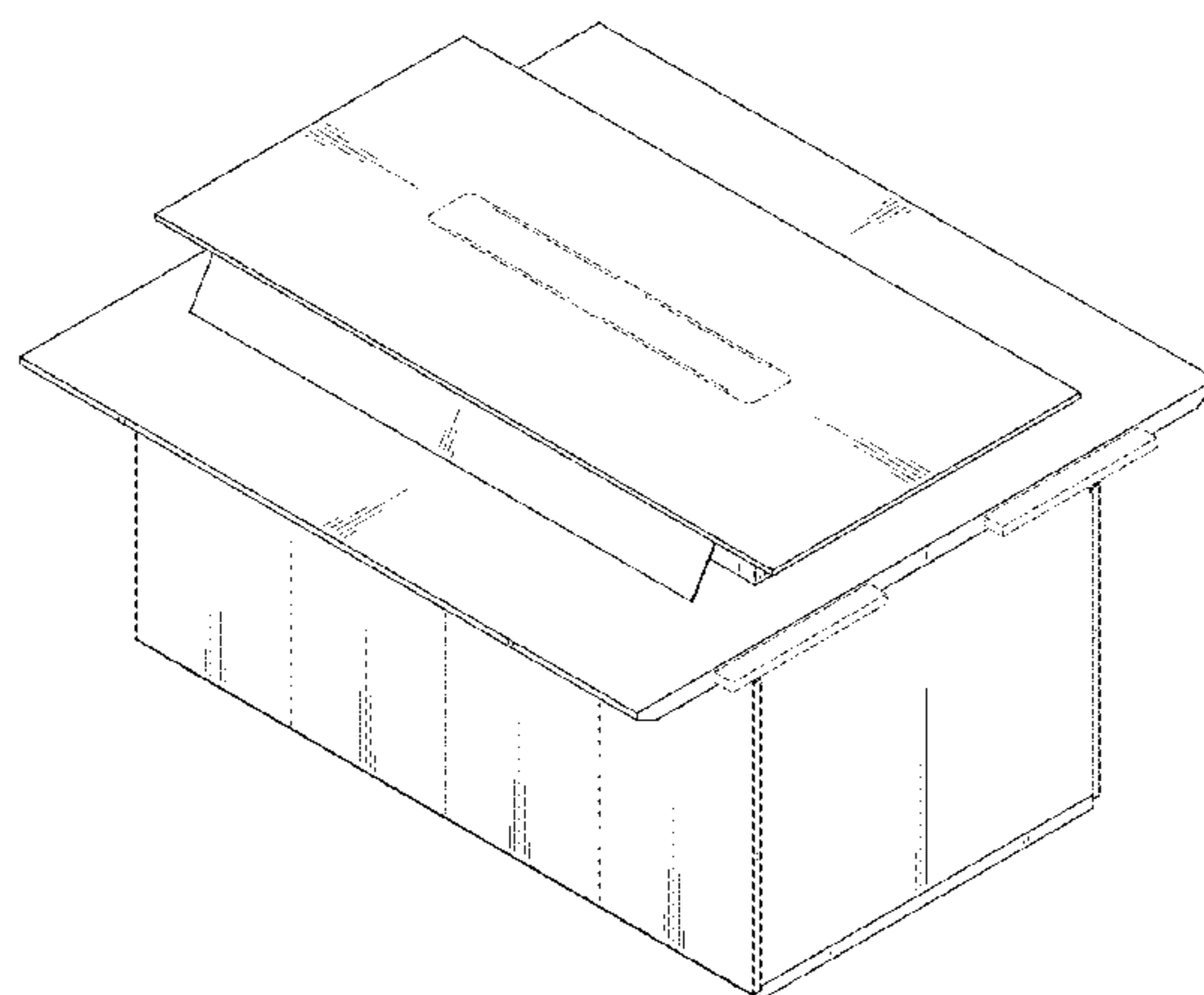
(57) **CLAIM**

We claim the ornamental design for a display booth, as shown and described.

DESCRIPTION

FIG. 1 is a front perspective view of a display booth showing our new design;
FIG. 2 is a front view thereof;
FIG. 3 is a rear view thereof;
FIG. 4 is a left-side view thereof;
FIG. 5 is a right-side view thereof;
FIG. 6 is a top view thereof;
FIG. 7 is a bottom view thereof;
FIG. 8 is a front perspective view thereof, shown in a usage condition; and,
FIG. 9 is a front perspective view thereof, shown in a second usage condition.
The broken lines are shown for the purpose of illustrating unclaimed portions of the display booth and unclaimed environmental structure and form no part of the claimed design.

1 Claim, 9 Drawing Sheets



US D740,595 S

Page 2

(56)

References Cited

U.S. PATENT DOCUMENTS

D570,422 S * 6/2008 Beirne et al. D21/385
D591,083 S * 4/2009 Singler et al. D6/672
D640,484 S * 6/2011 Albert D6/675

D646,508 S * 10/2011 Parizek et al. D6/698
D654,290 S * 2/2012 Ernst et al. D6/691.5
D677,655 S * 3/2013 Sirolich D14/305
2009/0050028 A1* 2/2009 Liao Fang 108/26

* cited by examiner

FIG. 1

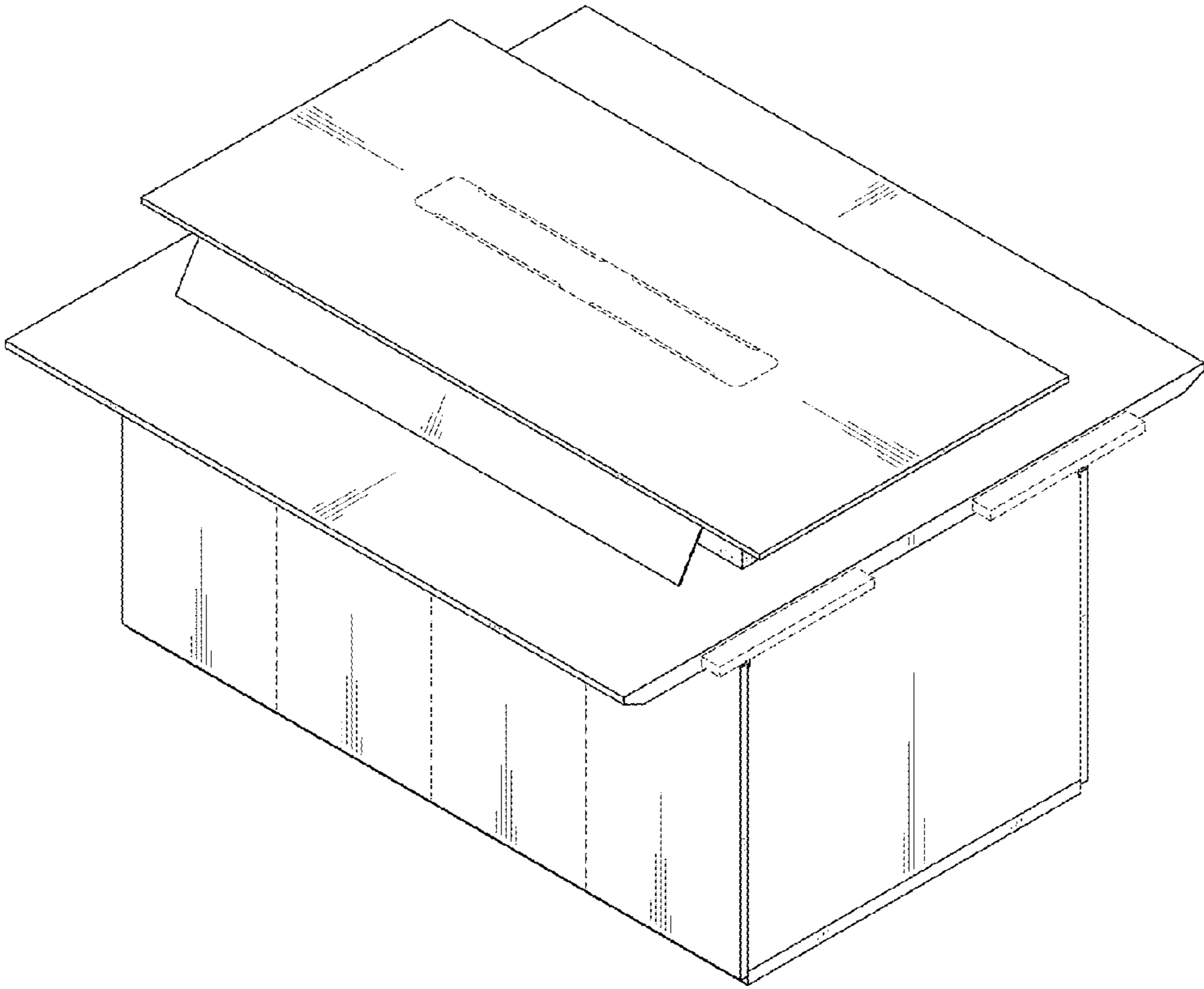


FIG. 2

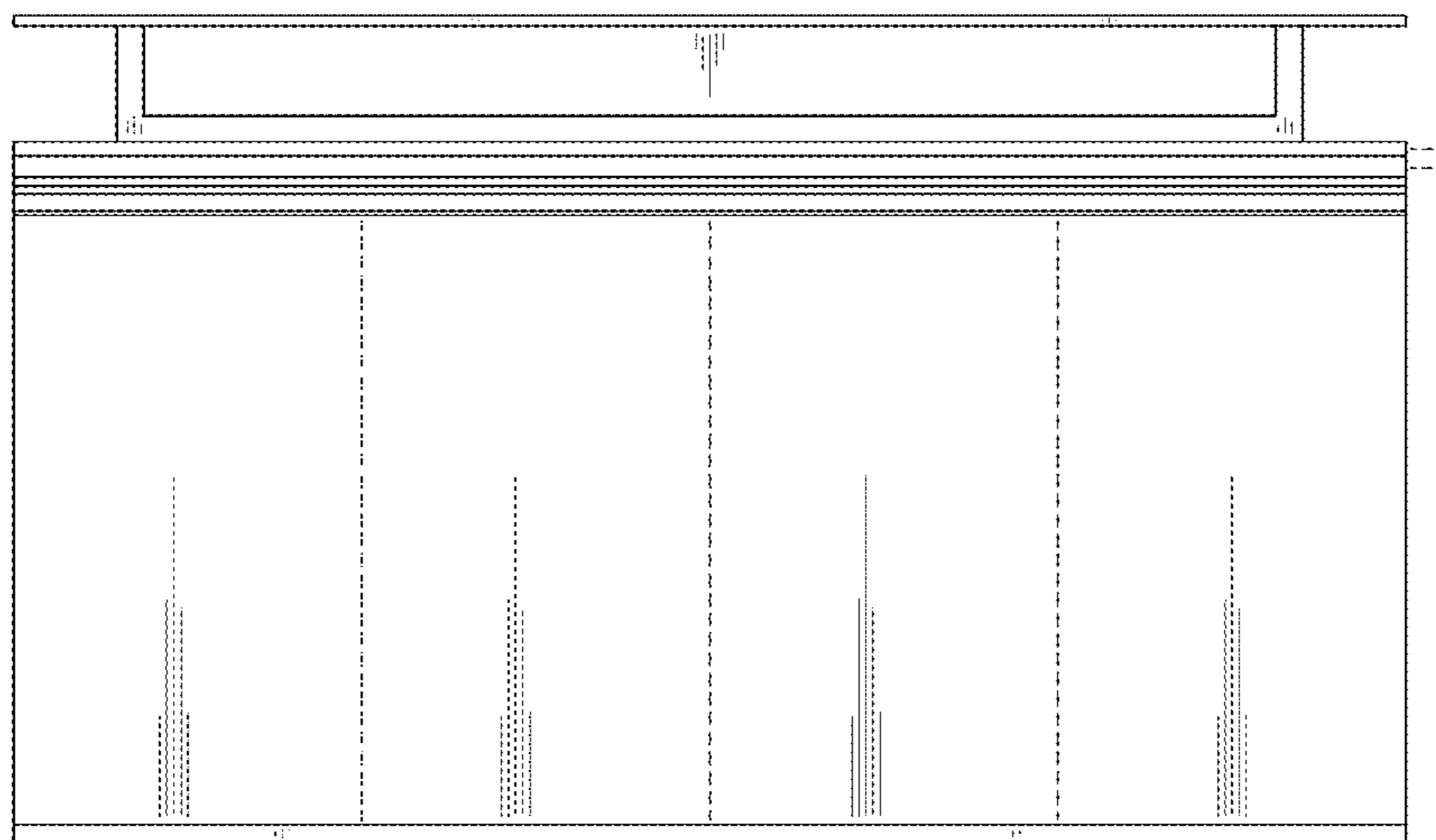


FIG. 3

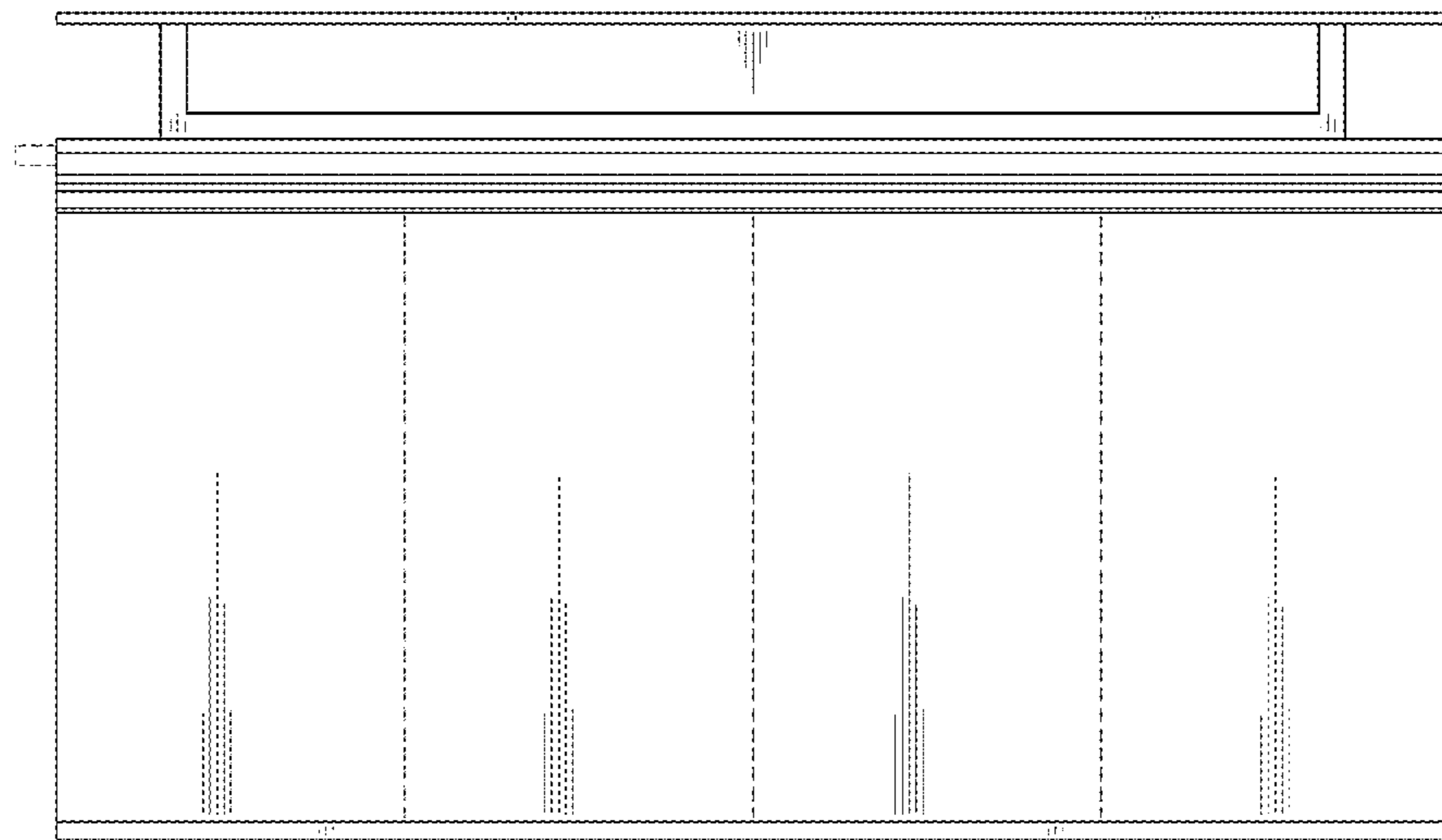


FIG. 4

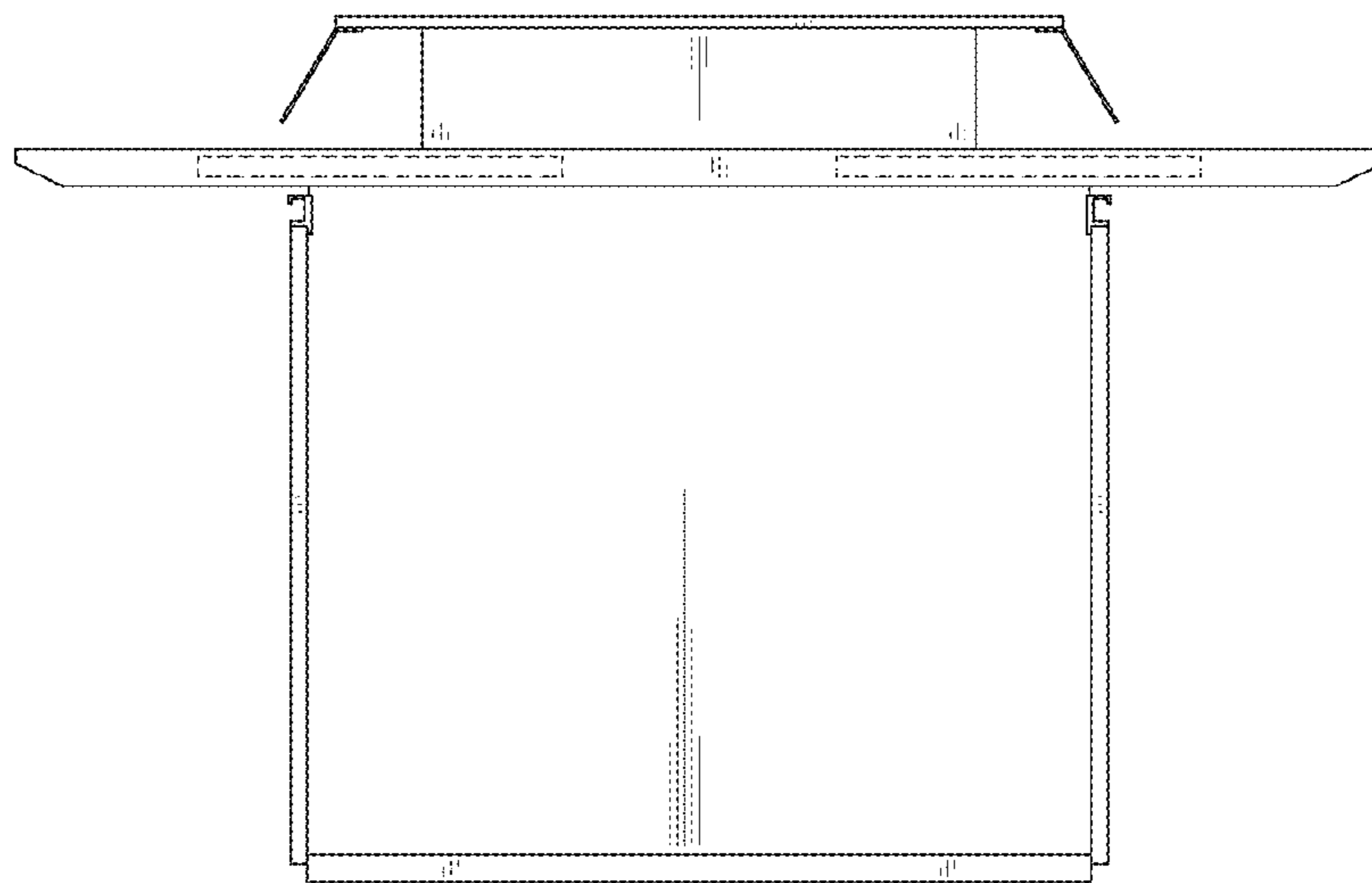


FIG. 5

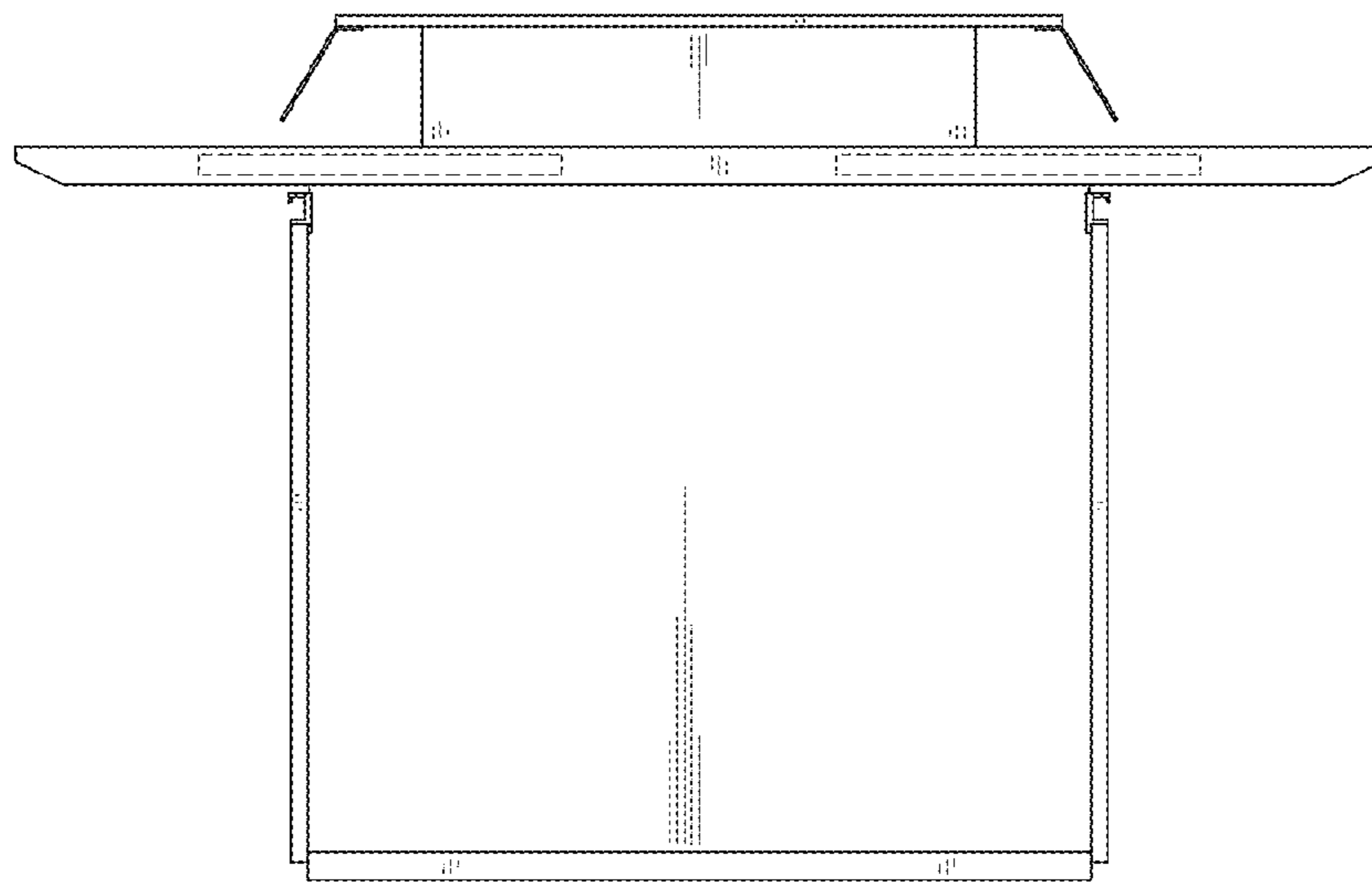


FIG. 6

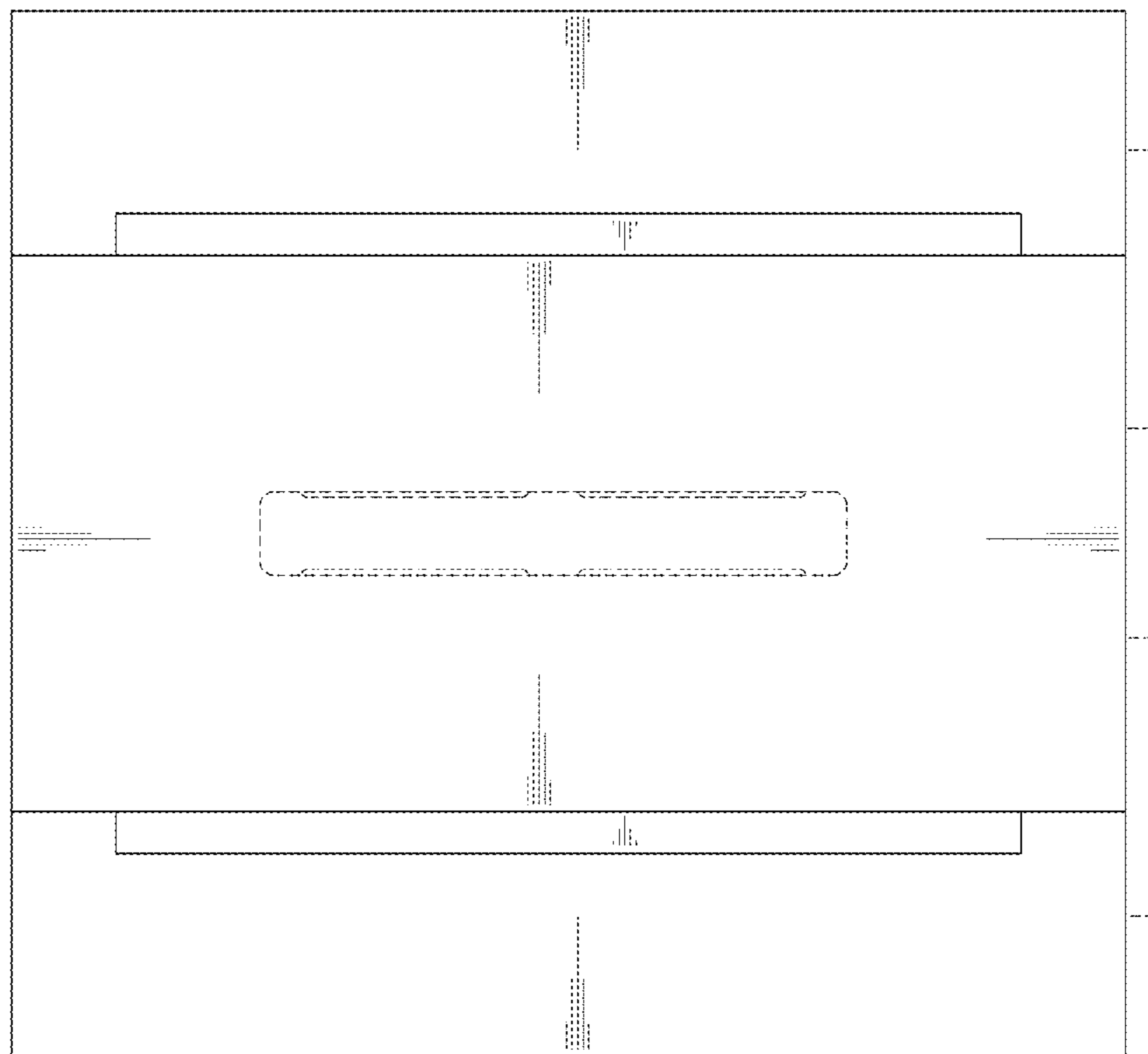


FIG. 7

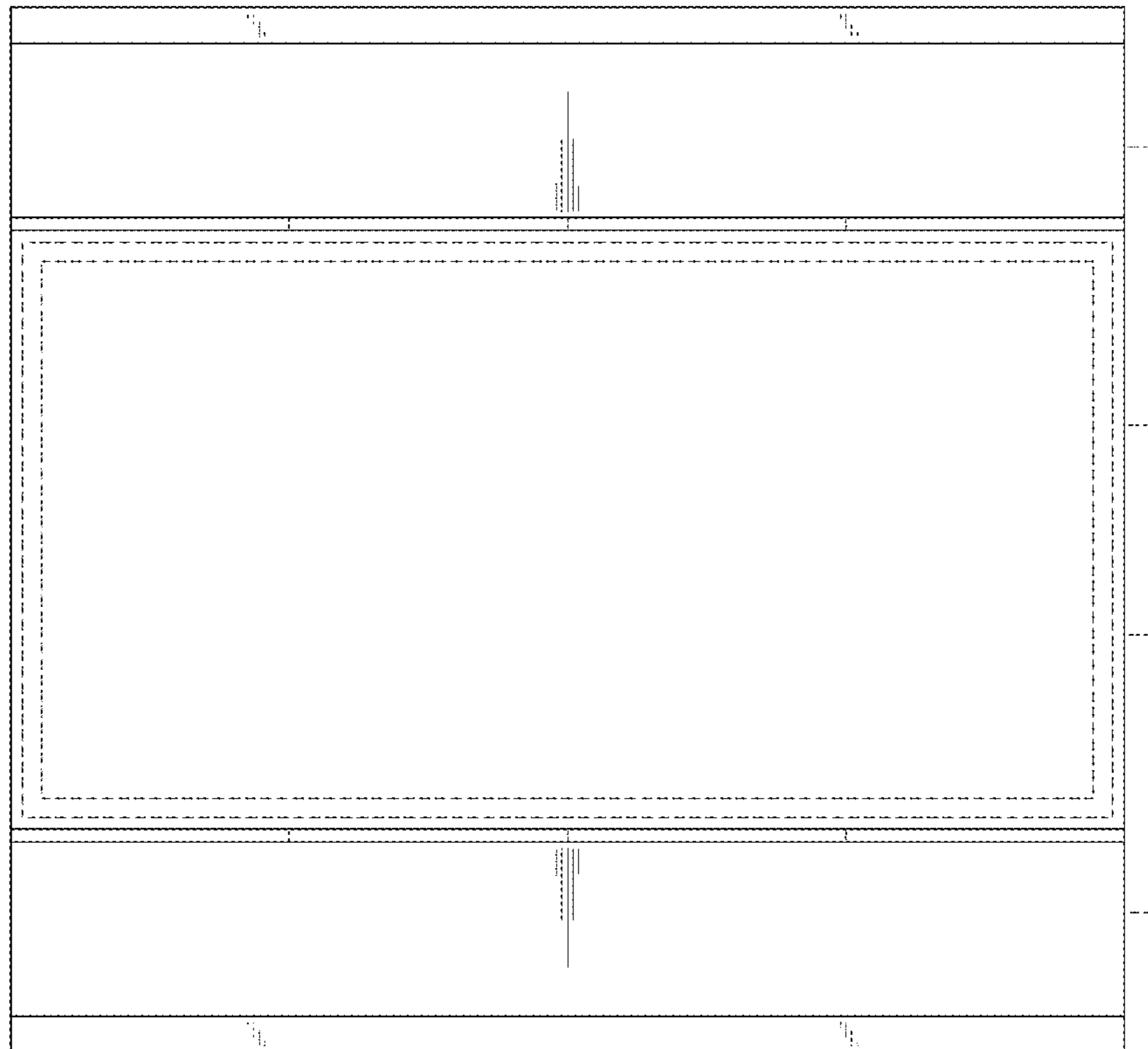


FIG. 8

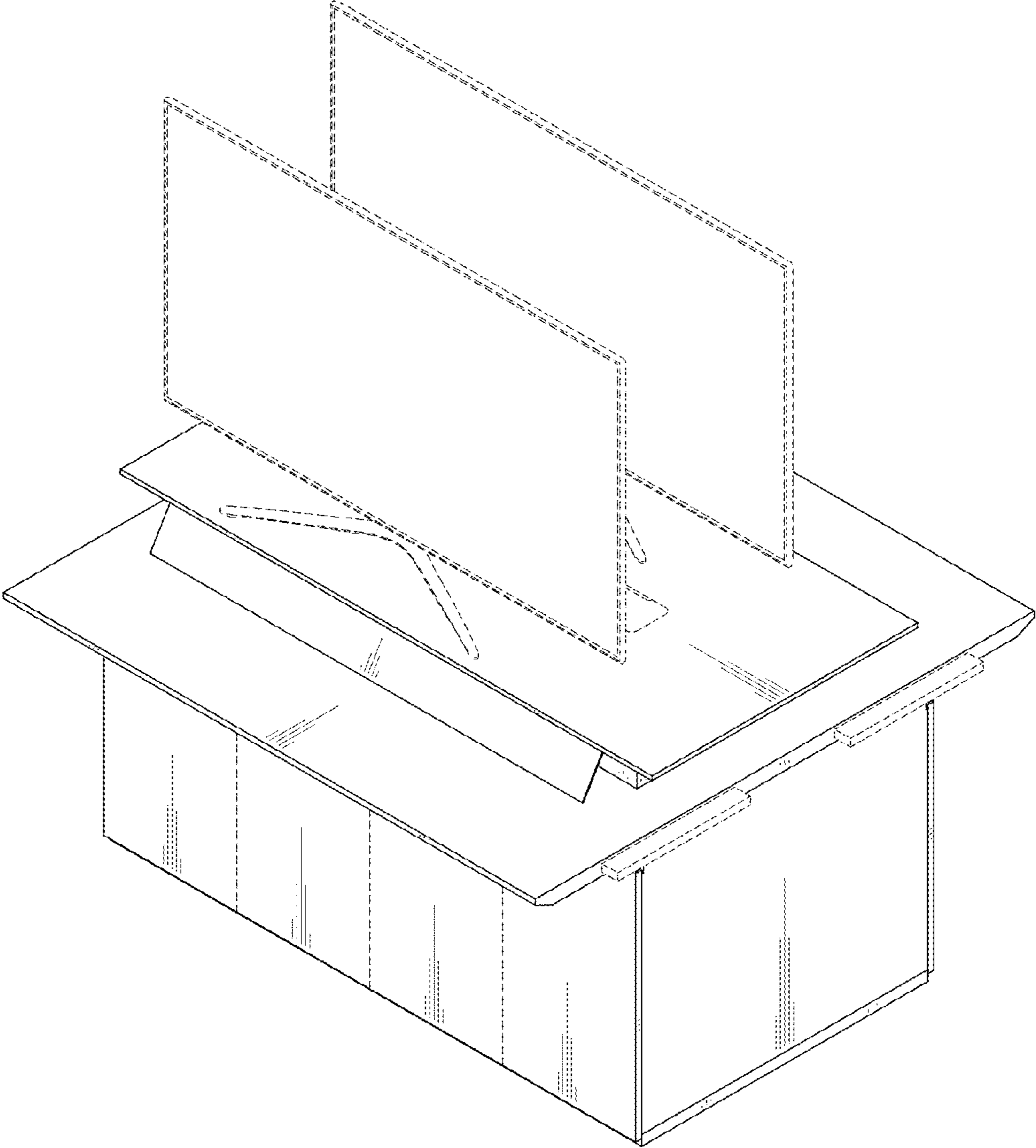


FIG. 9

