



US00D740593S

(12) **United States Design Patent**
Tapper

(10) **Patent No.:** **US D740,593 S**
(45) **Date of Patent:** **** Oct. 13, 2015**

(54) **24 COUNT CUPCAKE DISPLAY WITH SIDE
PIECES**

(71) Applicant: **Simply Social, LLC**, Dallas, TX (US)

(72) Inventor: **Laura J. Tapper**, Dallas, TX (US)

(73) Assignee: **Simply Social, LLC**, Dallas, TX (US)

(**) Term: **14 Years**

(21) Appl. No.: **29/467,258**

(22) Filed: **Sep. 17, 2013**

Related U.S. Application Data

(63) Continuation-in-part of application No. 29/409,727,
filed on Dec. 28, 2011, now Pat. No. Des. 690,123,
which is a continuation-in-part of application No.
29/355,176, filed on Feb. 3, 2010, now abandoned.

(51) **LOC (10) Cl.** **06-04**

(52) **U.S. Cl.**
USPC **D6/672**

(58) **Field of Classification Search**
USPC D6/672; D7/610, 357, 354, 553.1,
D7/553.2, 553.8; D9/414, 456, 754, 756,
D9/418; 426/115, 124; 206/493, 499, 223,
206/769, 497
CPC B65D 2543/00296; B65D 85/36;
B65D 43/162; B65D 2543/00537; B65D
25/108; B65D 1/36; C08L 2666/04; A21B
3/134; A21B 3/132; A21B 3/13; A47J 47/14

See application file for complete search history.

(56) **References Cited**

U.S. PATENT DOCUMENTS

D255,085	S	*	5/1980	Free et al.	D7/368
5,912,033	A	*	6/1999	Ferguson	426/124
5,967,323	A	*	10/1999	Siragusa	206/499
6,003,671	A	*	12/1999	McDonough et al.	206/493
D423,864	S	*	5/2000	Chang et al.	D7/323
6,146,673	A	*	11/2000	Ferguson	426/115
6,186,351	B1	*	2/2001	Coyle	220/23.83
6,318,030	B1	*	11/2001	McClure et al.	52/136
6,450,341	B1	*	9/2002	Krupa et al.	206/497
6,450,343	B1	*	9/2002	Arnaldi	206/769
6,905,017	B1	*	6/2005	Sarnoff et al.	206/223
D515,363	S	*	2/2006	Driggers et al.	D7/610
D553,902	S	*	10/2007	Barber	D7/357
D559,613	S	*	1/2008	DeMirjian, III	D7/357
D569,677	S	*	5/2008	Poon	D7/357
D574,182	S	*	8/2008	Shannon et al.	D7/357
D596,447	S	*	7/2009	Cubillos	D7/357

* cited by examiner

Primary Examiner — Phillip S Hyder

(74) *Attorney, Agent, or Firm* — Chainey P. Singleton

(57) **CLAIM**

The ornamental design for a 24 count cupcake display with side pieces, as shown and described.

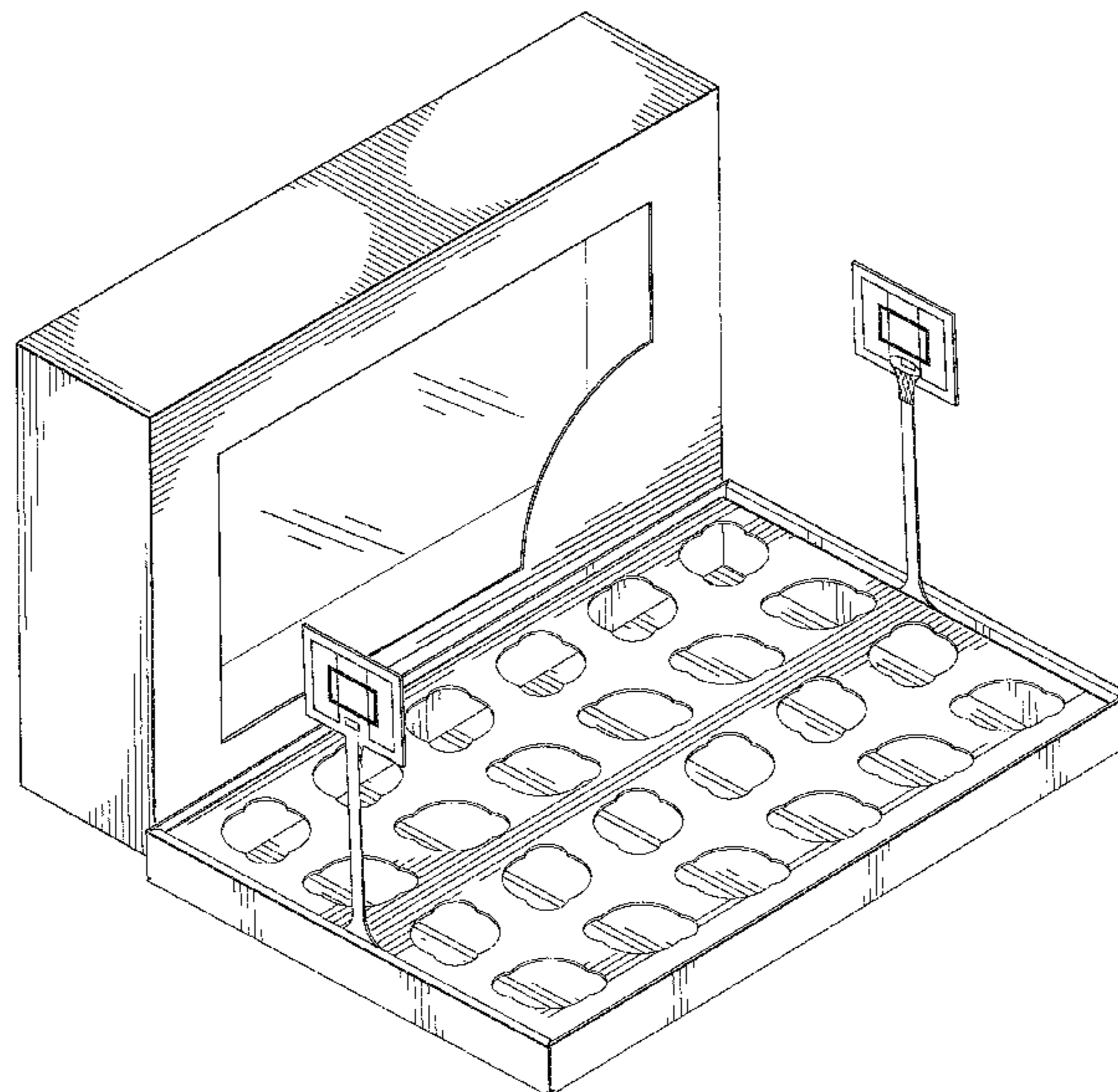
DESCRIPTION

FIG. 1 is a perspective view of a 24 count cupcake display with decorative side pieces; wherein the box top is omitted; and,

FIG. 2 is a perspective view of the 24 count cupcake display with decorative side pieces, wherein the box top is positioned along side the base.

The nature and intended use of the article in which the design is embodied is a cupcake display. The cupcake display includes a low cupcake insert configured to hold 24 cupcakes and of a height to display the cupcakes. The low cupcake insert is positioned in a low cupcake tray.

1 Claim, 2 Drawing Sheets



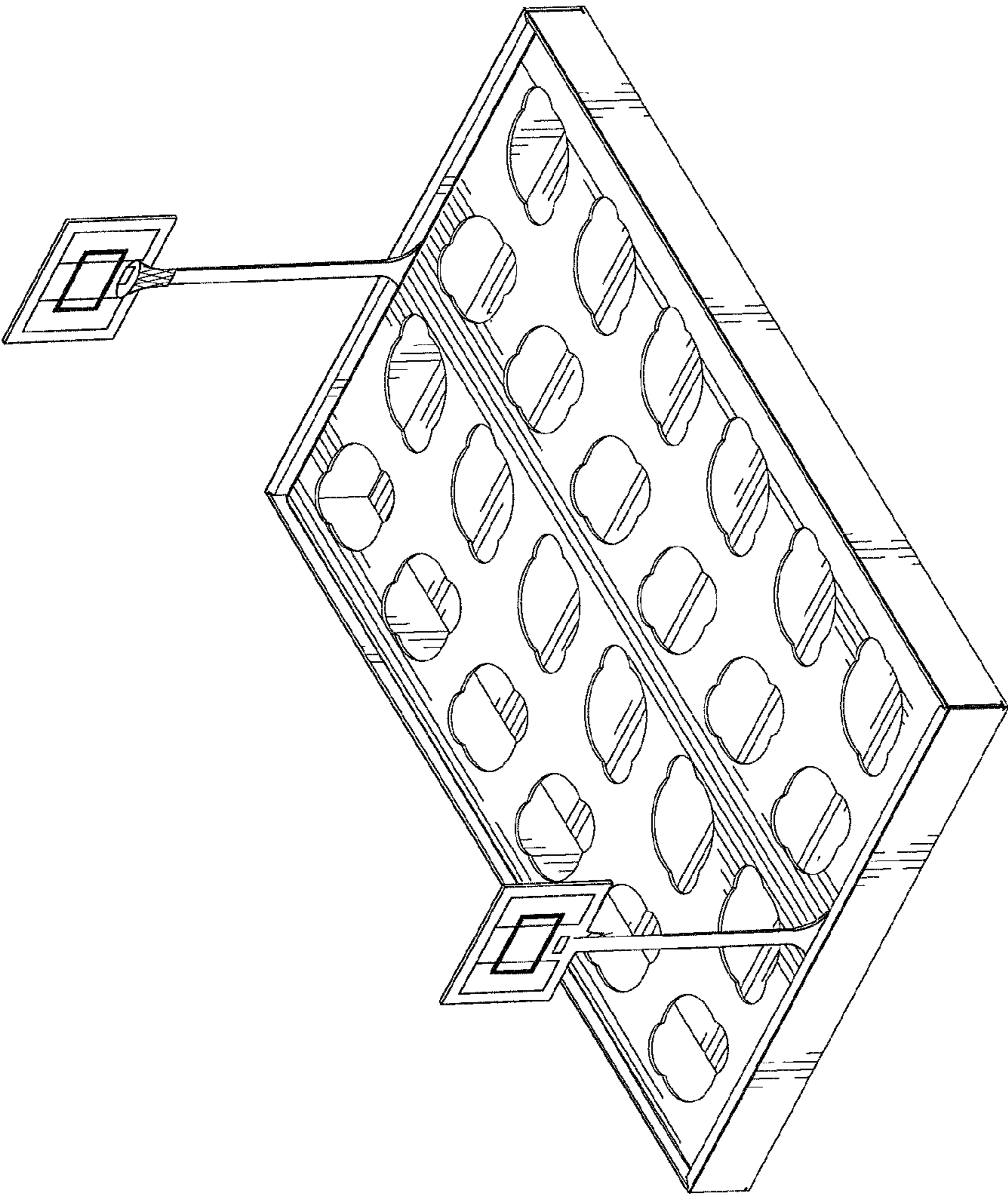


FIG. 1

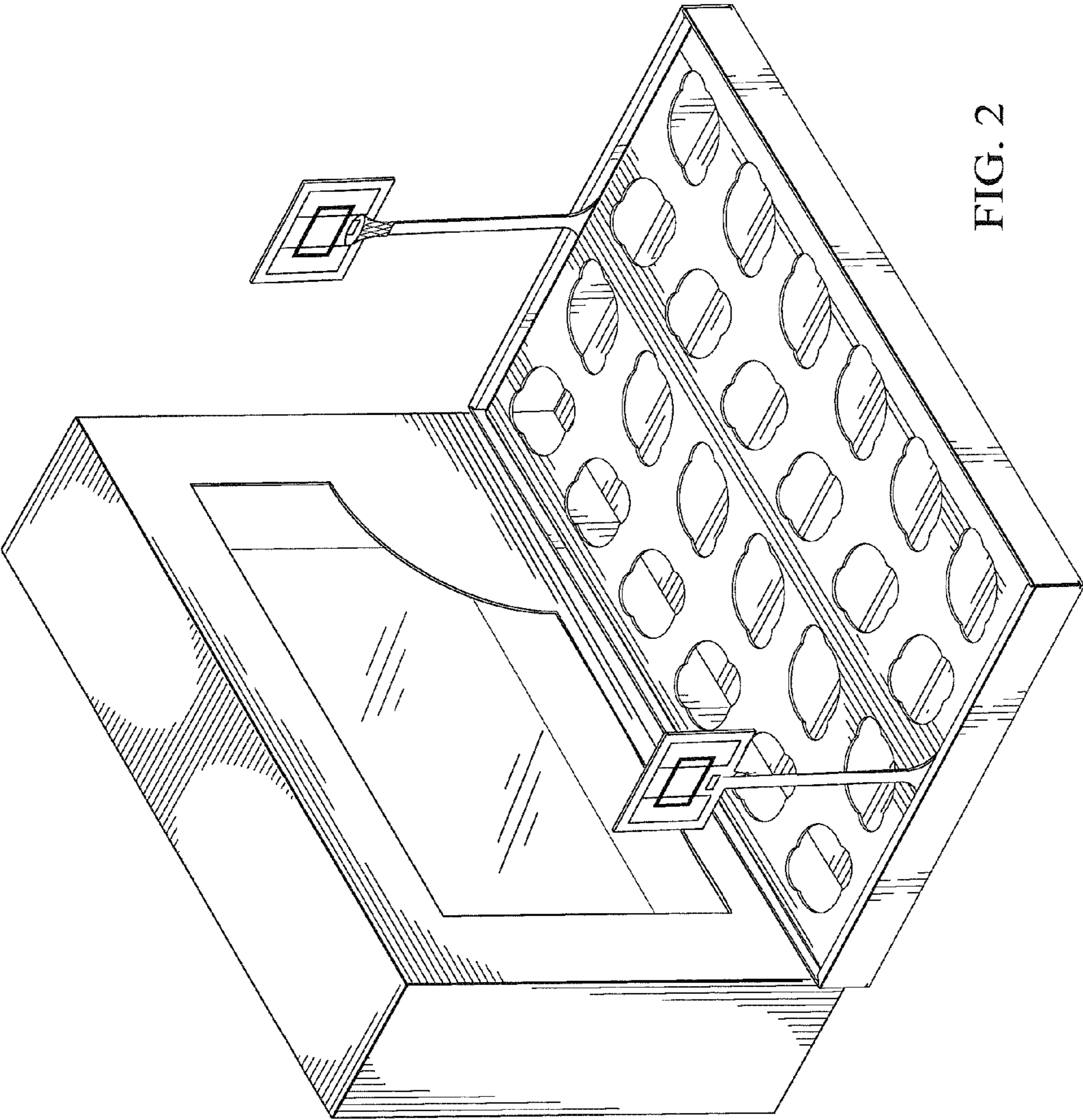


FIG. 2