



US00D740589S

(12) **United States Design Patent**
Ng

(10) **Patent No.:** **US D740,589 S**
(45) **Date of Patent:** **** Oct. 13, 2015**

(54) **END BRACKET FOR ROLLER SHADE**
(71) Applicant: **ZMC METAL COATING INC.,**
Woodbridge (CA)
(72) Inventor: **Philip Ng, Thornhill (CA)**
(73) Assignee: **ZMC Metal Coating Inc. (CA)**
(**) Term: **14 Years**
(21) Appl. No.: **29/514,935**

D438,045	S	*	2/2001	Liu	D6/580
D467,792	S	*	12/2002	Zadak et al.	D8/373
D560,674	S	*	1/2008	Wohlford et al.	D14/451
D628,539	S	*	12/2010	Tezak et al.	D13/152
D708,124	S	*	7/2014	Ilzhoefer	D13/102
D731,876	S	*	6/2015	Di Stefano	D8/363
D732,382	S	*	6/2015	Zalanca et al.	D8/394
D732,932	S	*	6/2015	Ng et al.	D8/354
2007/0120031	A1	*	5/2007	Rasmussen	248/266
2009/0152422	A1	*	6/2009	Ng et al.	248/265
2011/0048657	A1	*	3/2011	Tung et al.	160/319
2013/0192773	A1	*	8/2013	Wills et al.	160/323.1
2014/0251558	A1	*	9/2014	Chou	160/323.1

* cited by examiner

(22) Filed: **Jan. 19, 2015**
(30) **Foreign Application Priority Data**

Primary Examiner — Karen S Acker
Assistant Examiner — Amy Wierenga
(74) *Attorney, Agent, or Firm* — Price Heneveld LLP

Oct. 6, 2014 (CA) 159005
(51) **LOC (10) Cl.** **06-10**
(52) **U.S. Cl.**
USPC **D6/580**

(57) **CLAIM**
The ornamental design for an end bracket for roller shade, as shown and described.

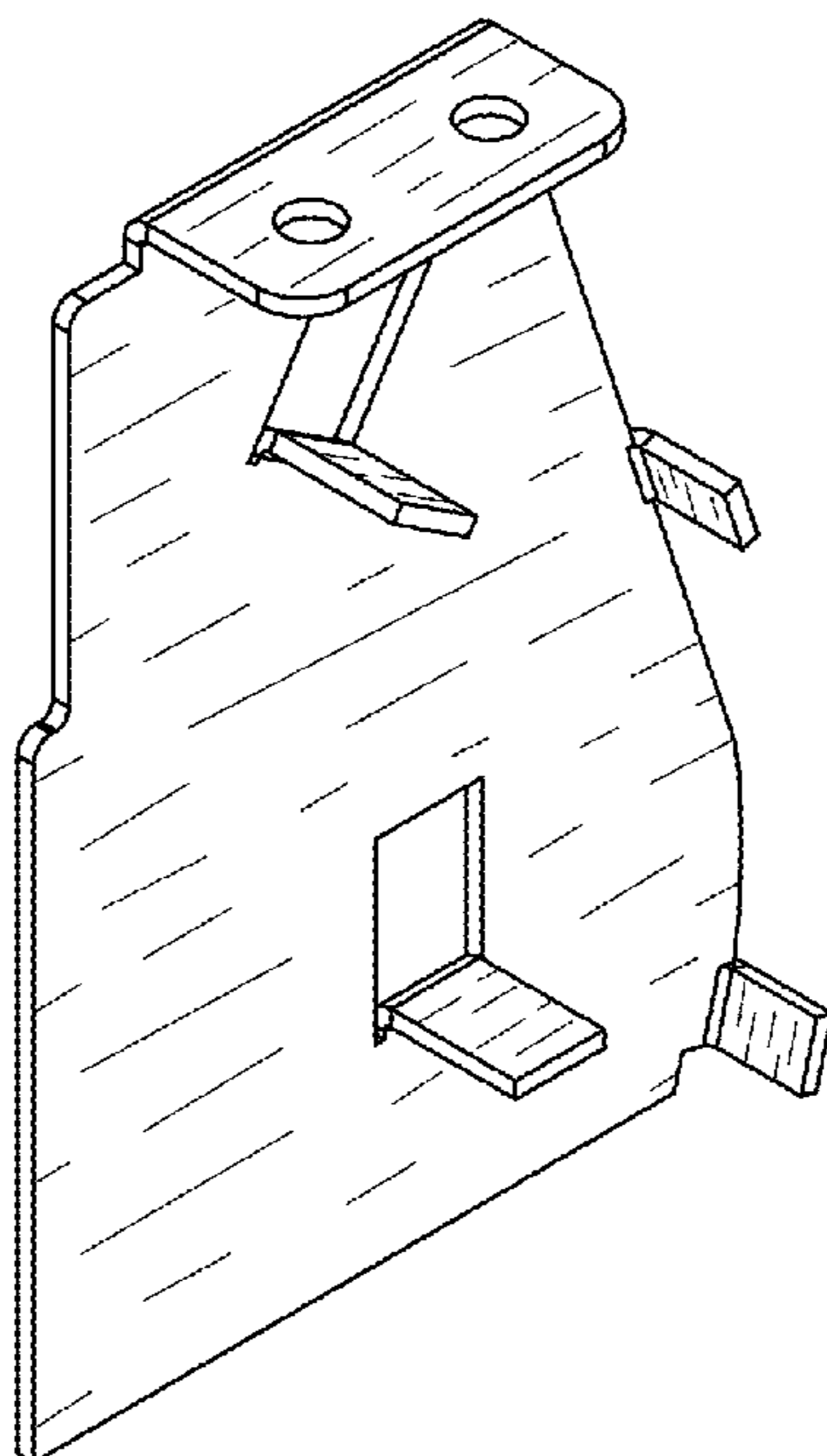
(58) **Field of Classification Search**
USPC D6/577-579, 580, 581; D8/349, 354,
D8/366, 367, 368, 373, 374, 380, 394,
D8/396; D25/119, 130, 133
CPC A47H 15/04; A47H 1/06; Y10T 16/353;
Y10T 16/354; Y10T 16/356; Y10T 16/357;
E06B 9/42; E06B 9/50; E06B 9/7007
See application file for complete search history.

DESCRIPTION

FIG. 1 is an upper left side perspective view of an end bracket for roller shade;
FIG. 2 is a left side view of an end bracket for roller shade;
FIG. 3 is a right side view of an end bracket for roller shade;
FIG. 4 is a front elevational view of an end bracket for roller shade;
FIG. 5 is a rear elevational view of an end bracket for roller shade;
FIG. 6 is a top view of an end bracket for roller shade; and,
FIG. 7 is a bottom view of an end bracket for roller shade.

(56) **References Cited**
U.S. PATENT DOCUMENTS
2,549,905 A * 4/1951 Jablon 248/264
D331,186 S * 11/1992 Sachs D8/380

1 Claim, 7 Drawing Sheets



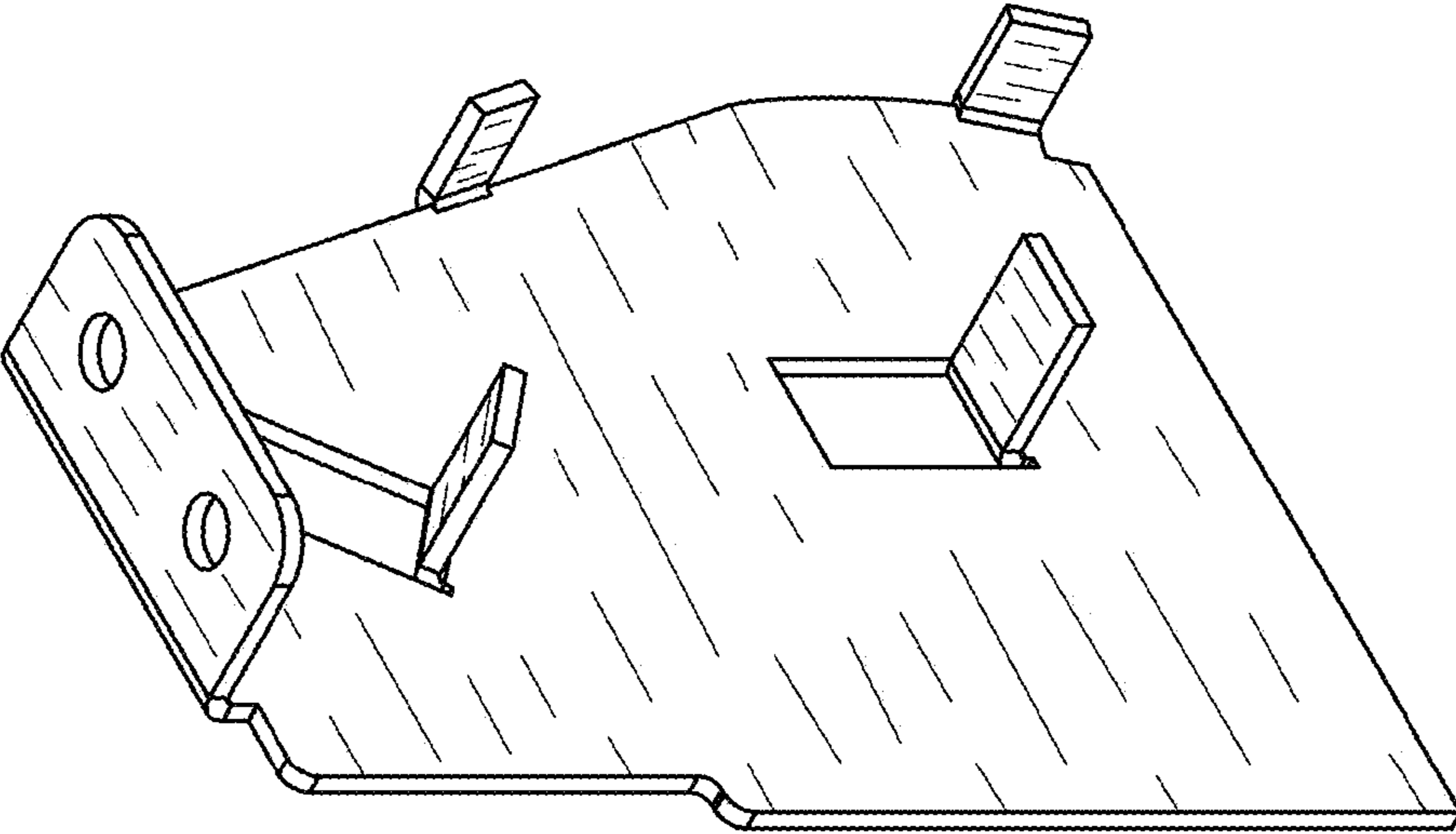


FIG. 1

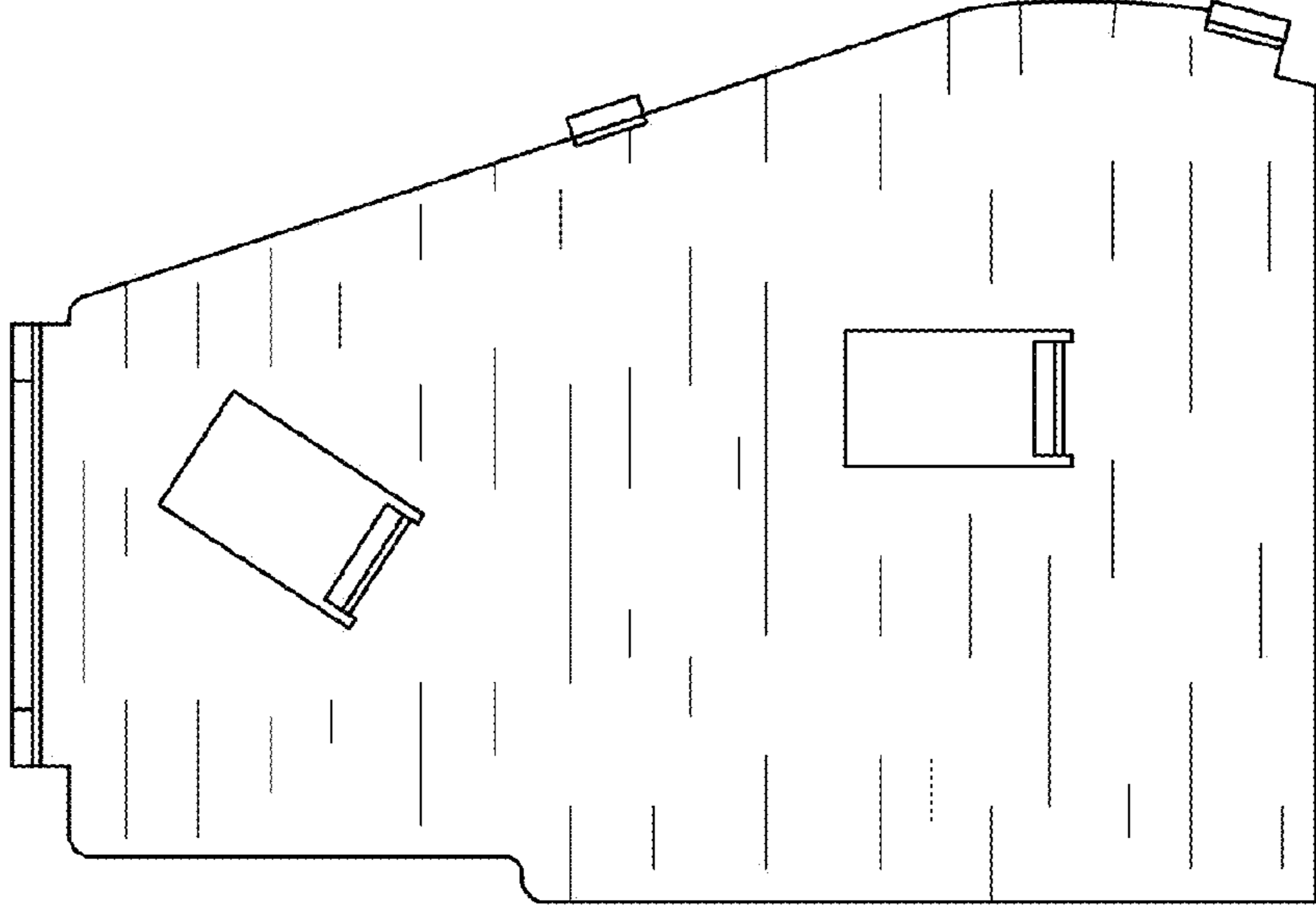


FIG. 2

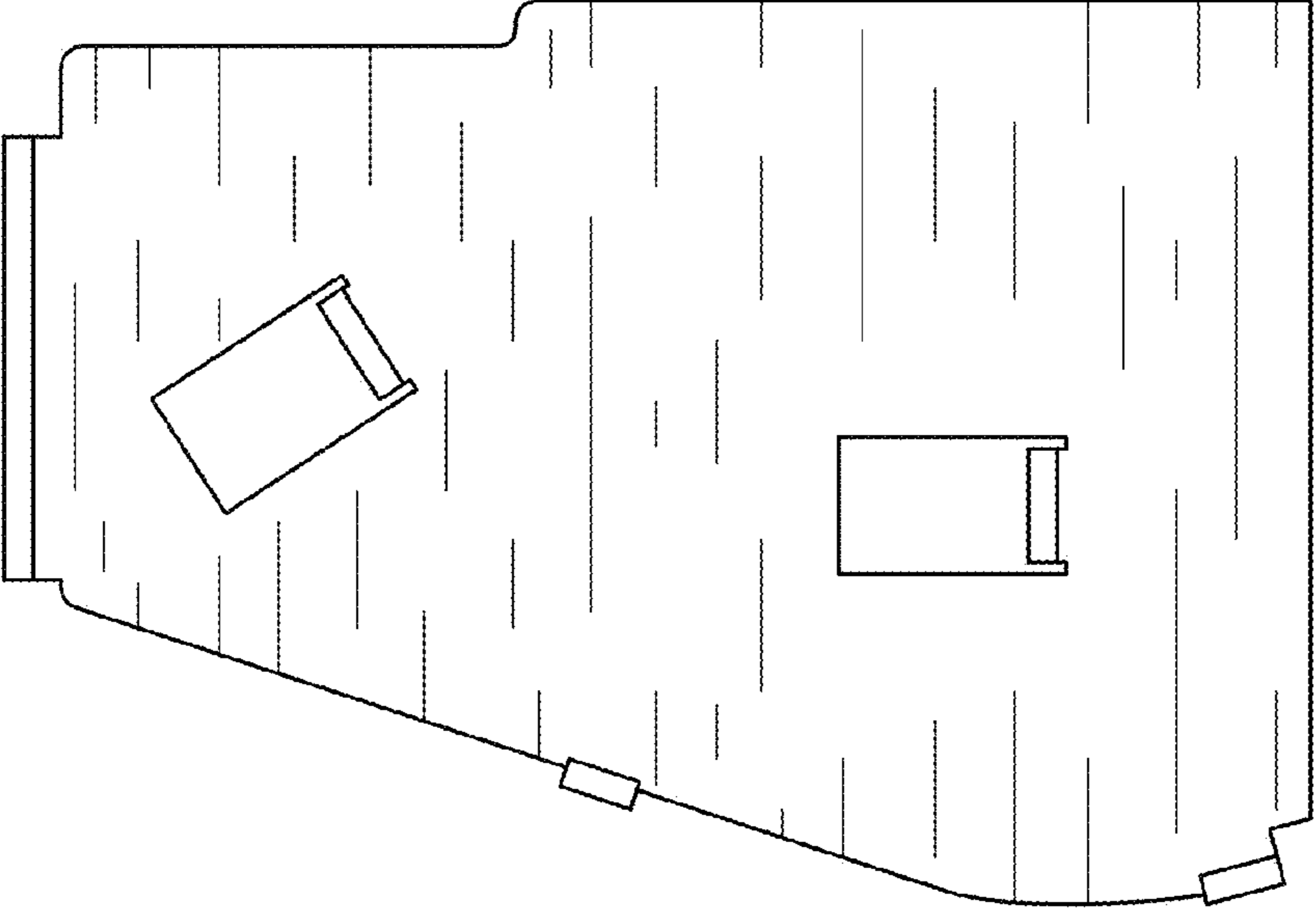


FIG. 3

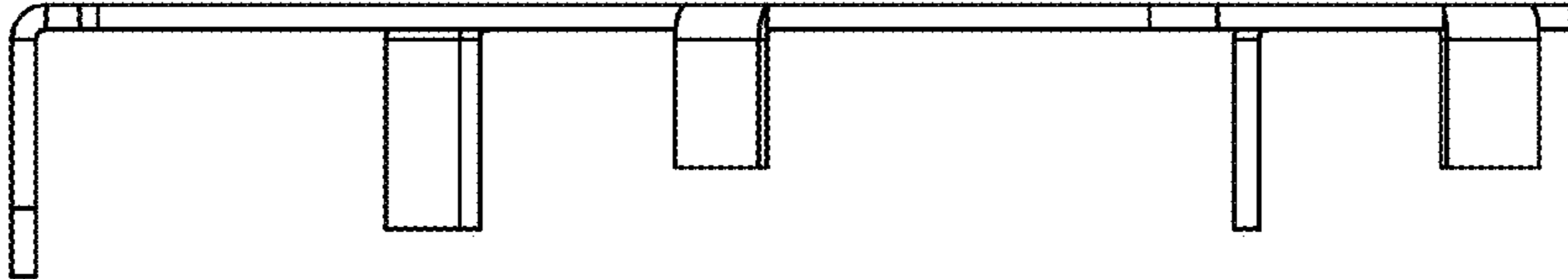


FIG. 4

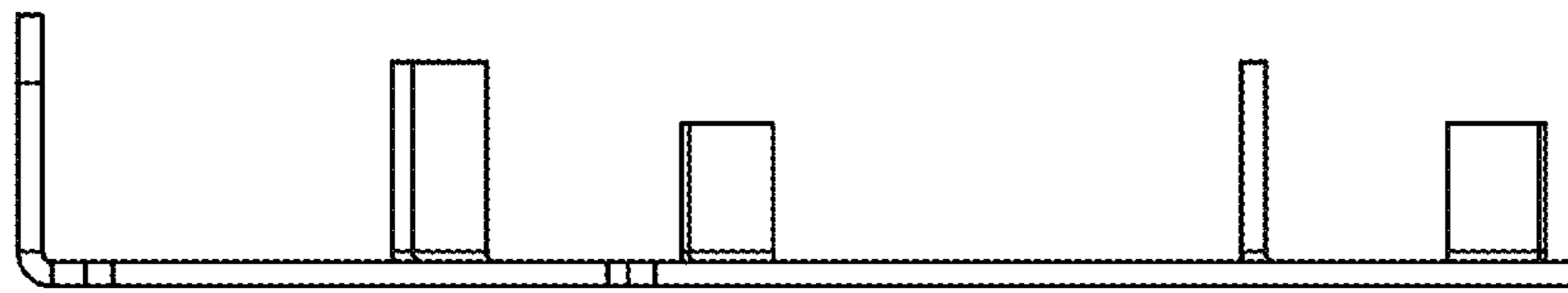


FIG. 5

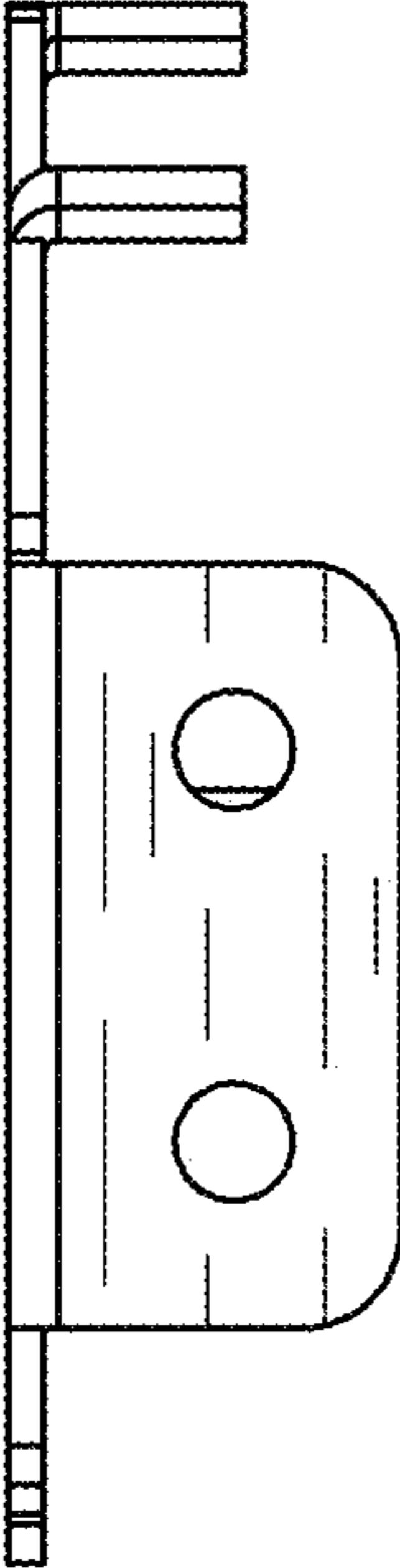


FIG. 6

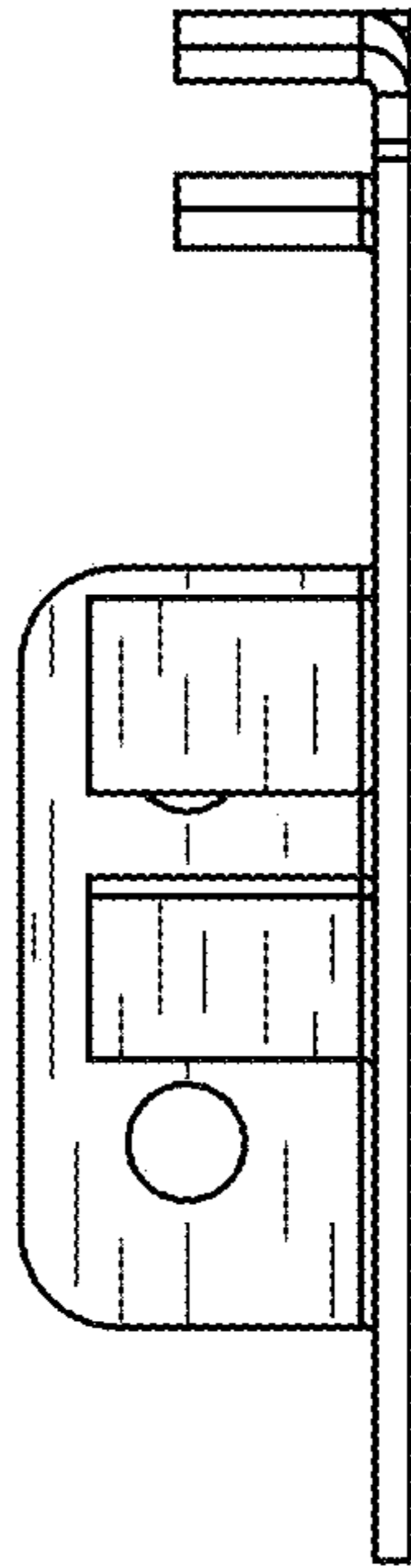


FIG. 7