



US00D740581S

(12) **United States Design Patent**
Le et al.

(10) **Patent No.:** **US D740,581 S**
(45) **Date of Patent:** **** Oct. 13, 2015**

(54) **MASSAGE CHAIR**

(71) Applicants: **Kevin Le**, Richland Hills, TX (US);
Thanh Le, Grand Prairie, TX (US)

(72) Inventors: **Kevin Le**, Richland Hills, TX (US);
Thanh Le, Grand Prairie, TX (US)

(73) Assignee: **LURACO Technologies, Inc.**,
Arlington, TX (US)

(**) Term: **14 Years**

(21) Appl. No.: **29/498,806**

(22) Filed: **Aug. 8, 2014**

(51) **LOC (10) Cl.** **06-01**

(52) **U.S. Cl.**
USPC **D6/367**

(58) **Field of Classification Search**
USPC D6/334-336, 361, 367, 371, 373, 379,
D6/716, 716.1, 716.2, 716.3, 716.4
CPC A47C 1/0352; A47C 1/0355; A47C 7/50;
A47C 7/506; A61G 2005/128; A61G 5/12;
A61H 1/003; A61H 2201/1669; A61H
15/0078; A61H 7/001; A61H 23/04
See application file for complete search history.

(56) **References Cited**

U.S. PATENT DOCUMENTS

D288,505	S	*	3/1987	Yamasaki	D6/360
D372,800	S	*	8/1996	Yamasaki	D6/367
D442,375	S	*	5/2001	Stammberger	D6/335
D541,064	S	*	4/2007	Miller et al.	D6/367
D551,869	S	*	10/2007	Zambelli	D6/367
D571,110	S	*	6/2008	Potter	D6/335
D586,138	S	*	2/2009	Potter	D6/367
D622,516	S	*	8/2010	Delmestri	D6/367
D654,708	S	*	2/2012	Figueras Mitjans	D6/336
D699,960	S	*	2/2014	Potter	D6/367
2005/0088028	A1	*	4/2005	Wan et al.	A47C 1/0355

* cited by examiner

Primary Examiner — Mimosa De

(74) *Attorney, Agent, or Firm* — Hoang Steve Ngo

(57) **CLAIM**

The ornamental design for a massage chair, as shown and described.

DESCRIPTION

FIG. 1 is a front elevational view of a massage chair showing our new design, wherein a foot rest of the massage chair is in a first position;

FIG. 2 is a rear elevational view thereof, wherein the foot rest of the massage chair is in the first position;

FIG. 3 is a right side view thereof, wherein the foot rest of the massage chair is in the first position;

FIG. 4 is a left side view thereof, wherein the foot rest of the massage chair is in the first position;

FIG. 5 is a front, right side perspective view thereof, wherein the foot rest of the massage chair is in the first position;

FIG. 6 is a front, left side perspective view thereof, wherein the foot rest of the massage chair is in the first position;

FIG. 7 is a front elevational view thereof, wherein the foot rest of the massage chair is in a second position;

FIG. 8 is a rear elevational view thereof, wherein the foot rest of the massage chair is in the second position;

FIG. 9 is a right side view thereof, wherein the foot rest of the massage chair is in the second position;

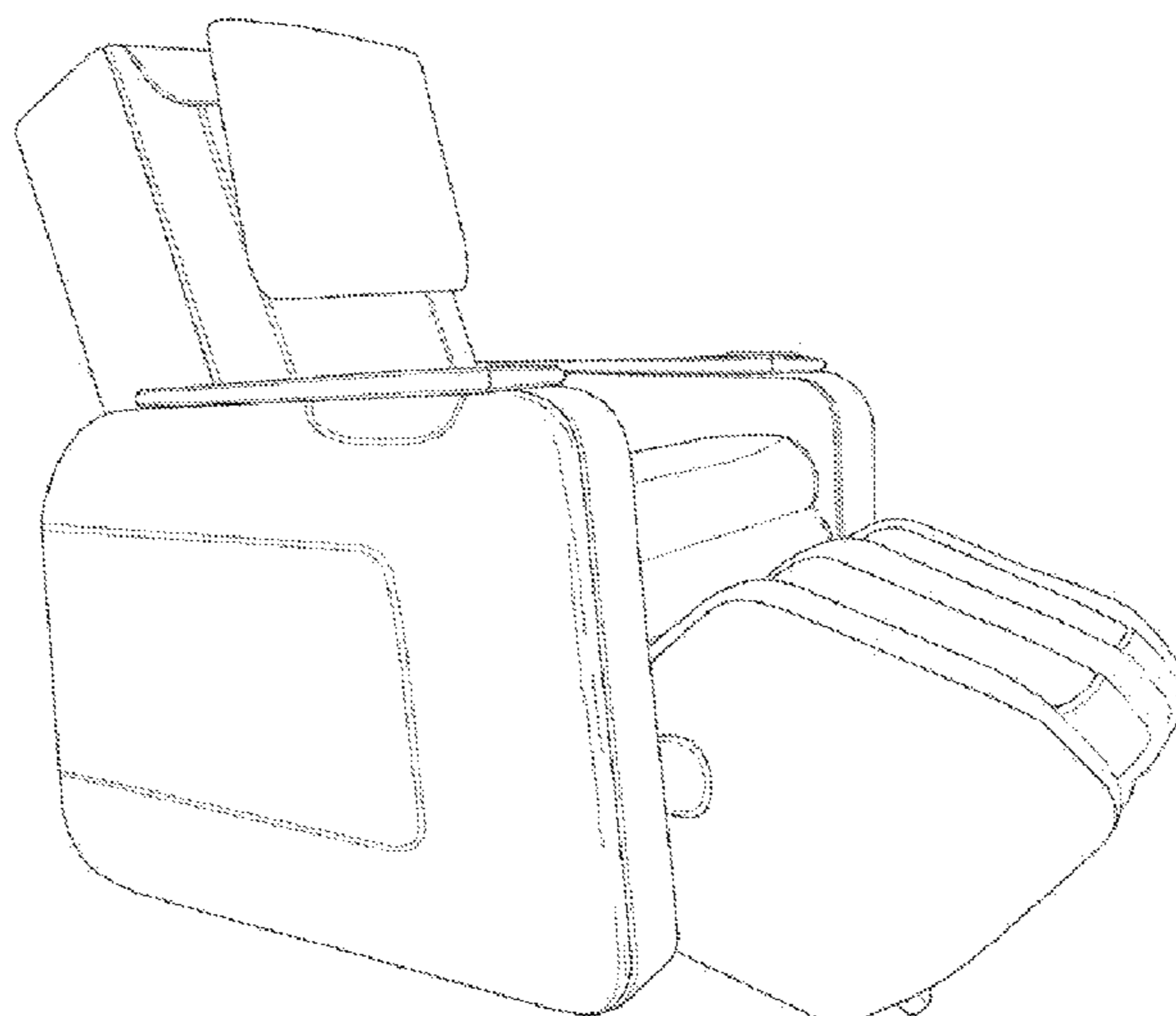
FIG. 10 is a left side view thereof, wherein the foot rest of the massage chair is in the second position;

FIG. 11 is a front, right side perspective view thereof, wherein the foot rest of the massage chair is in the second position; and,

FIG. 12 is a front, left side perspective view thereof, wherein the foot rest of the massage chair is in the second position.

The broken lines shown in the drawing views are included for illustrative purposes only, and form no part of the claimed design.

1 Claim, 6 Drawing Sheets



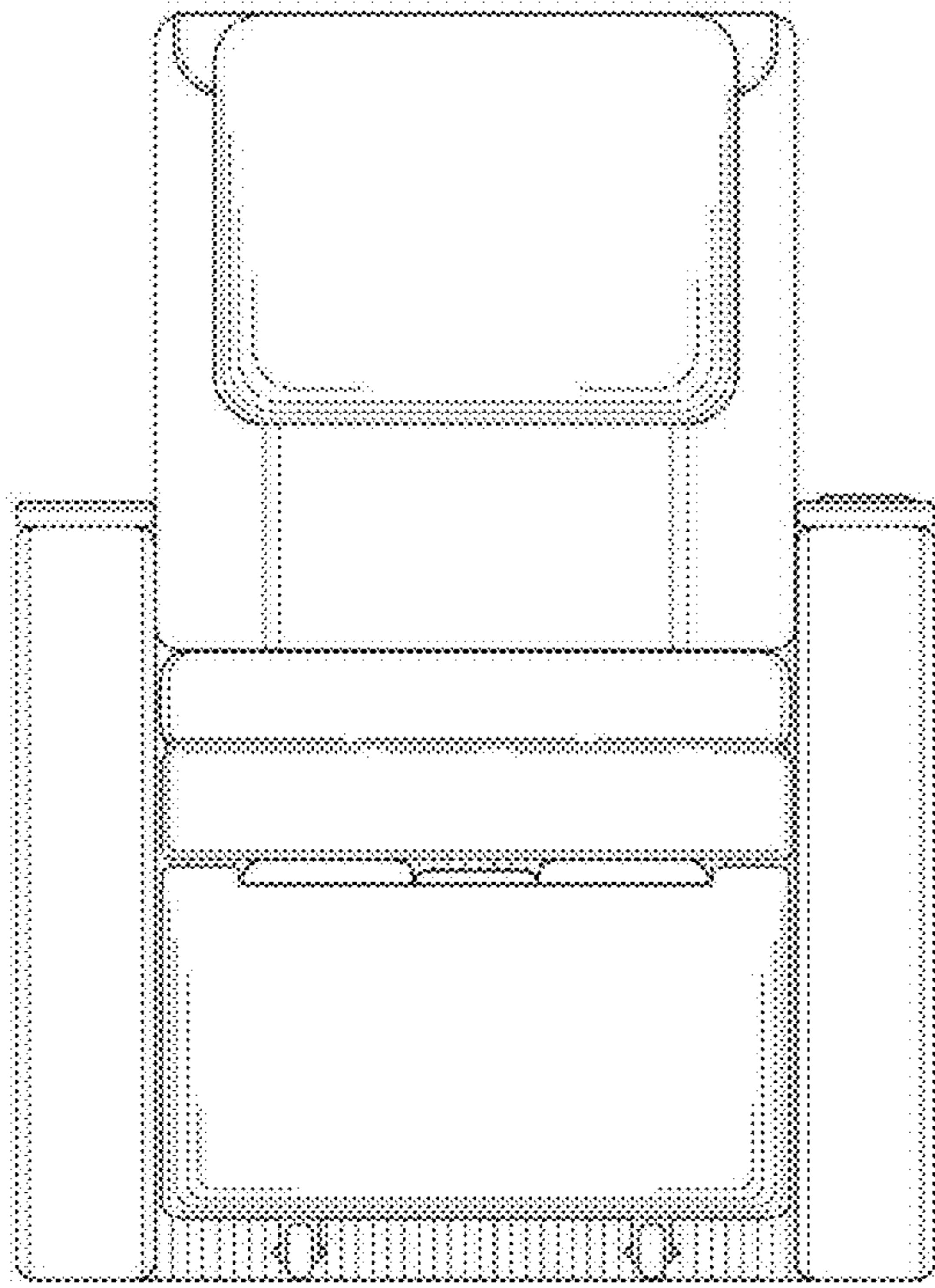


FIG. 1

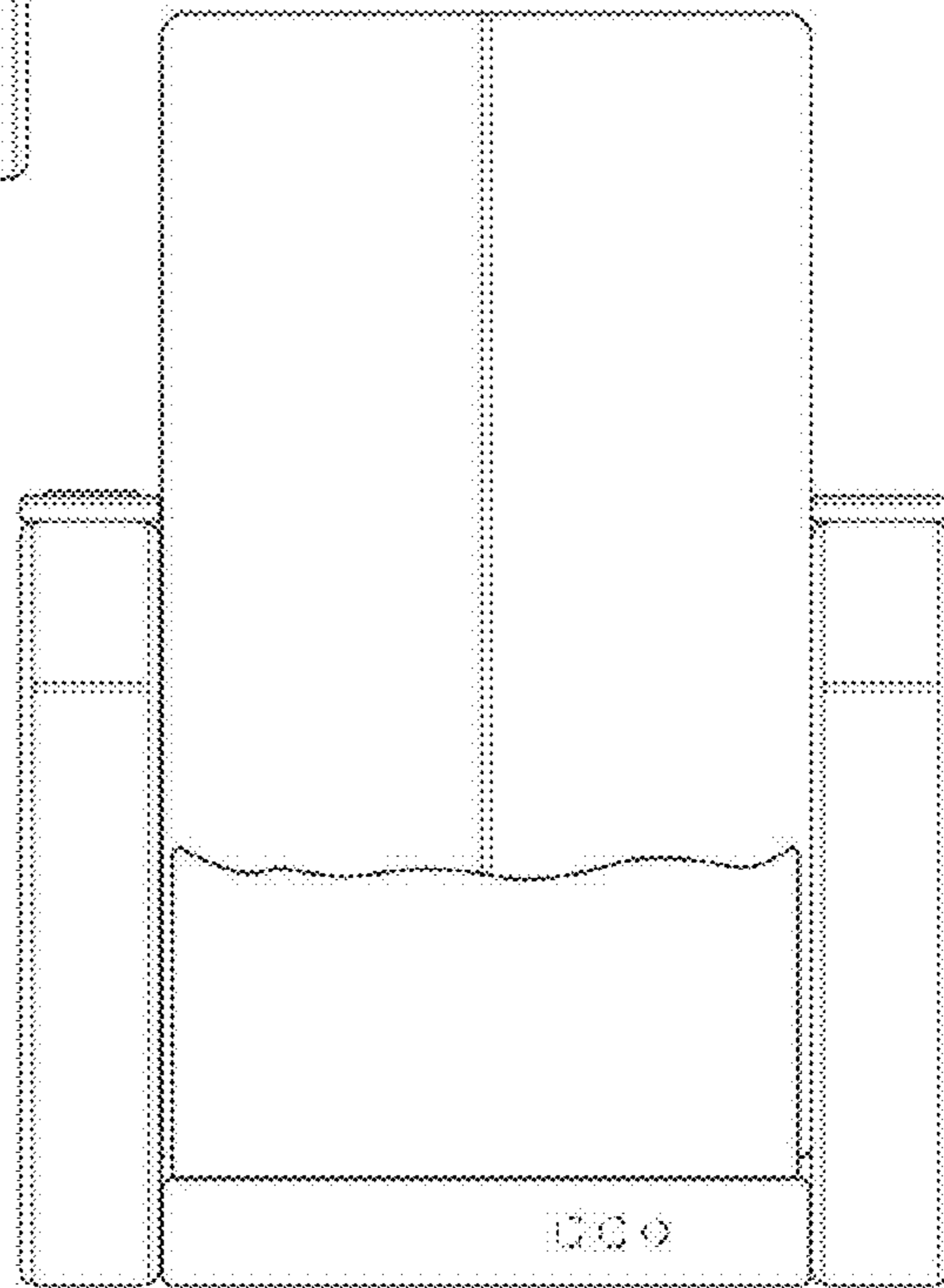


FIG. 2

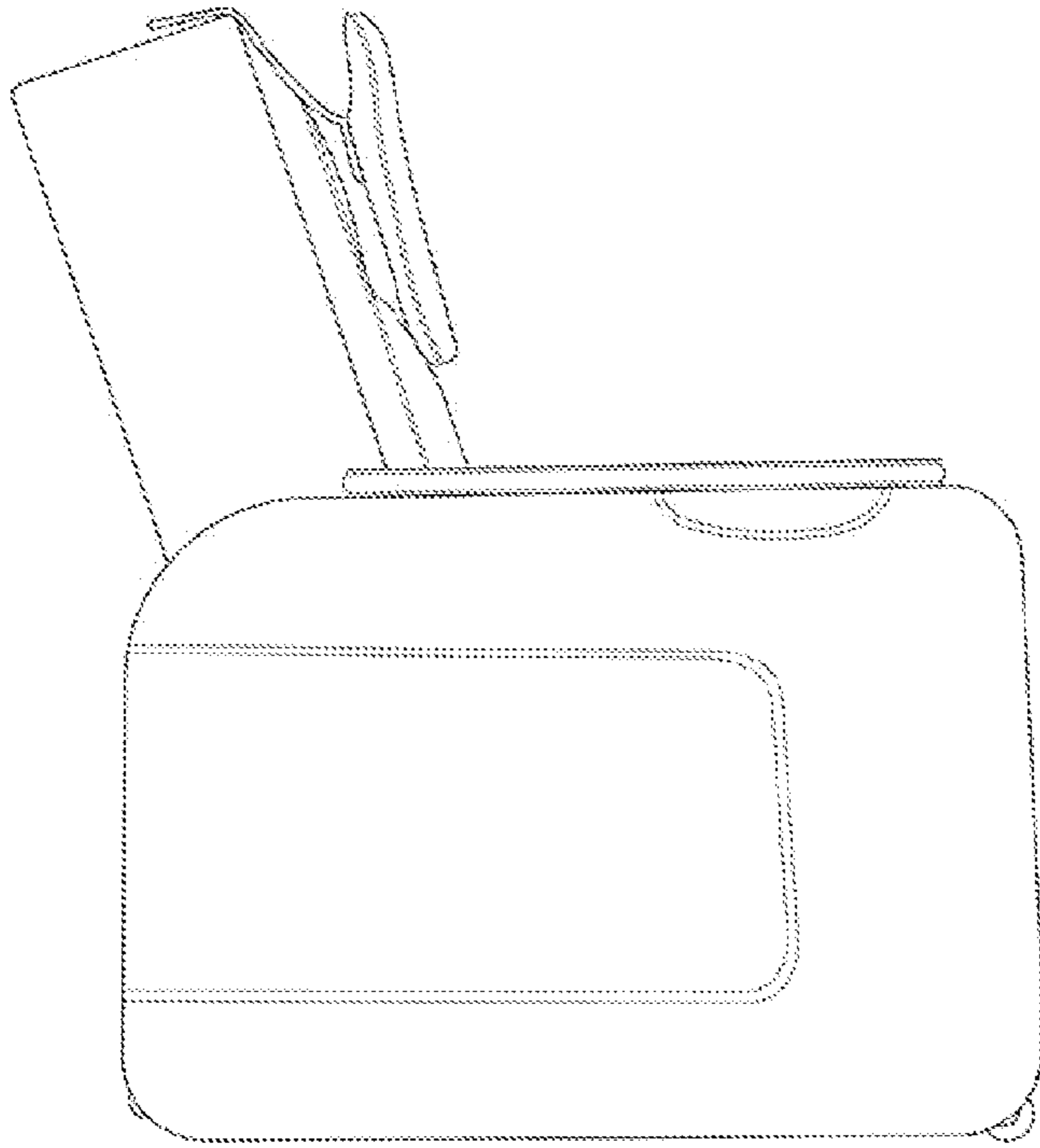


FIG. 3

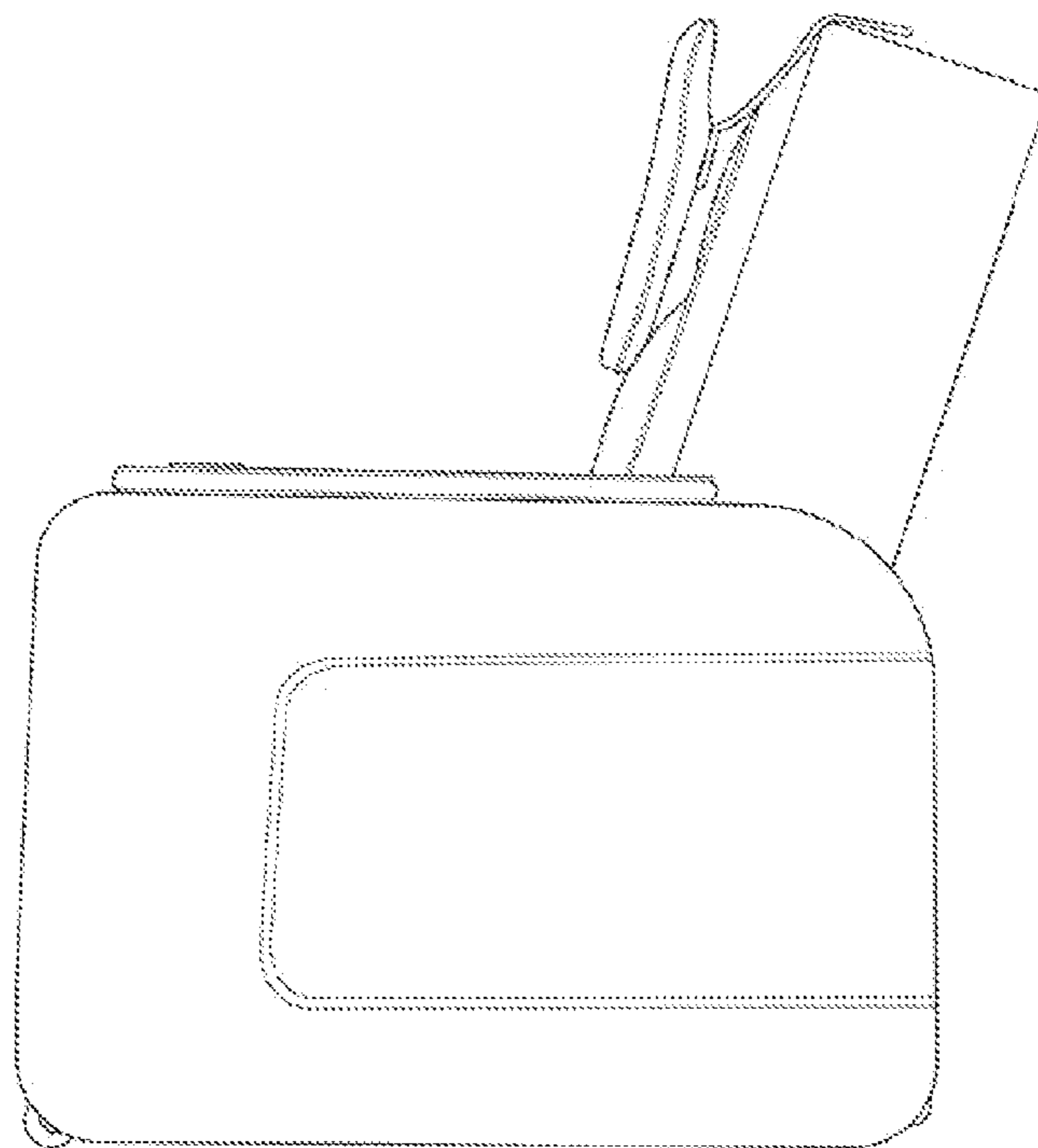


FIG. 4

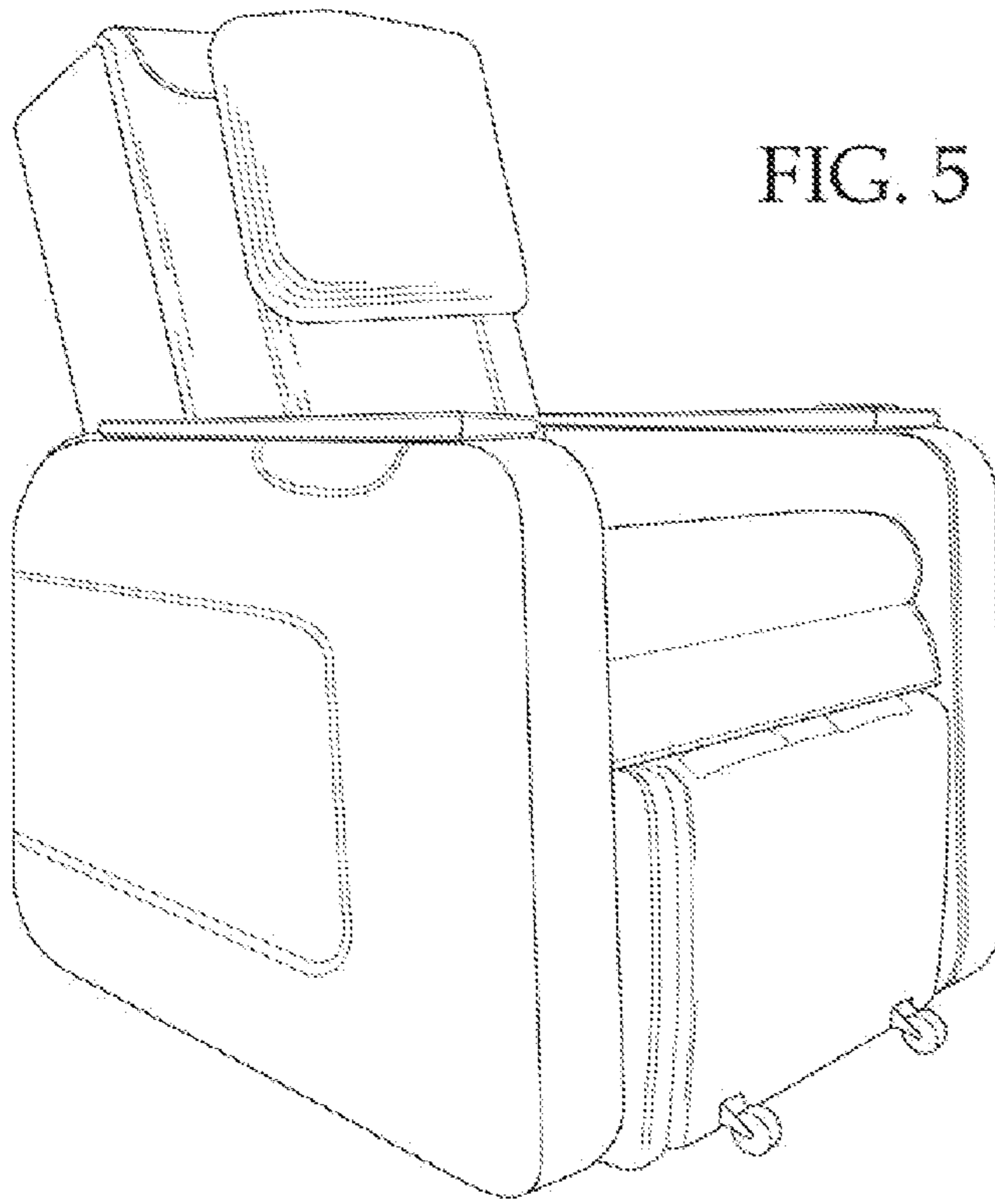
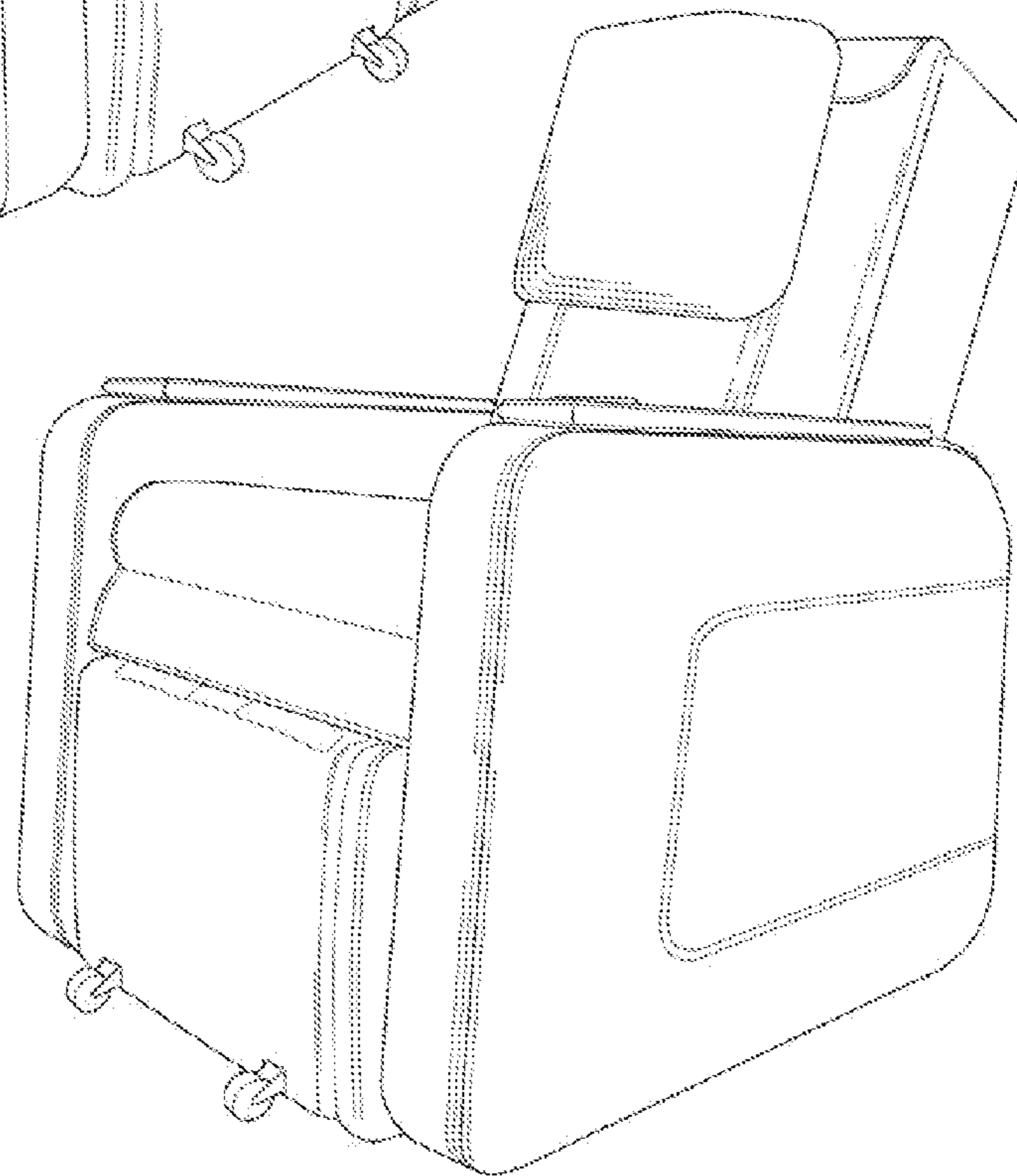


FIG. 5

FIG. 6



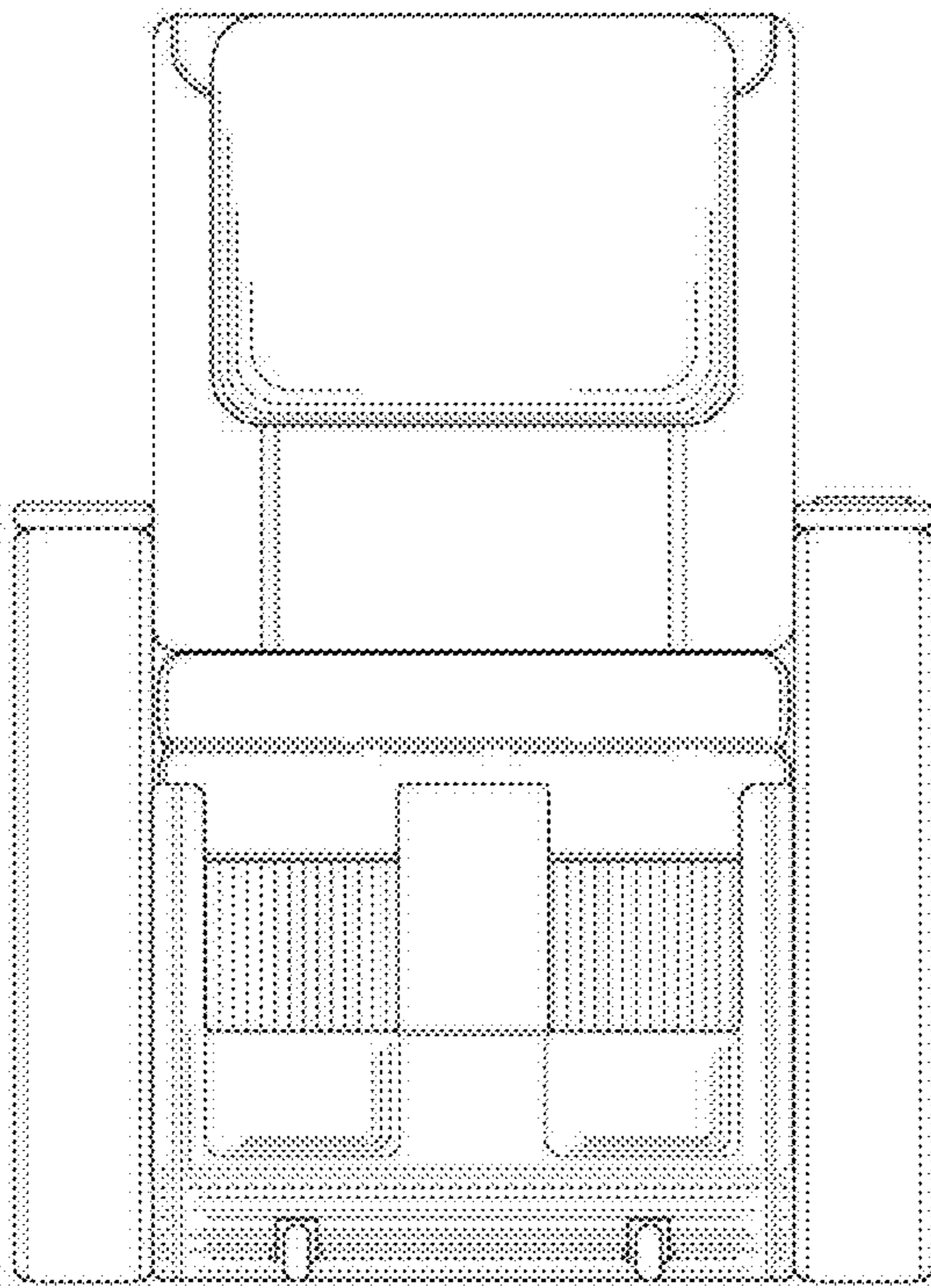


FIG. 7

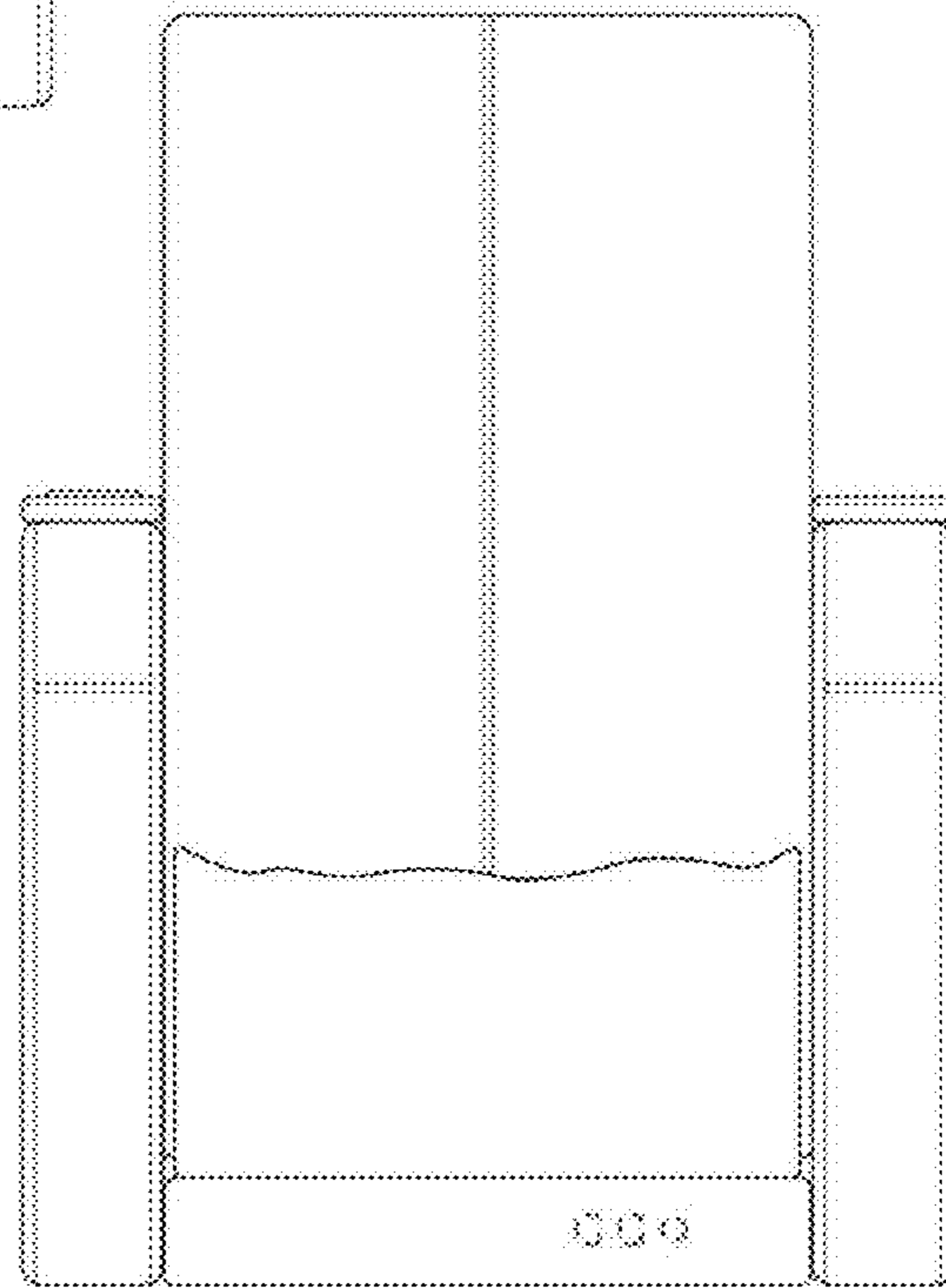


FIG. 8

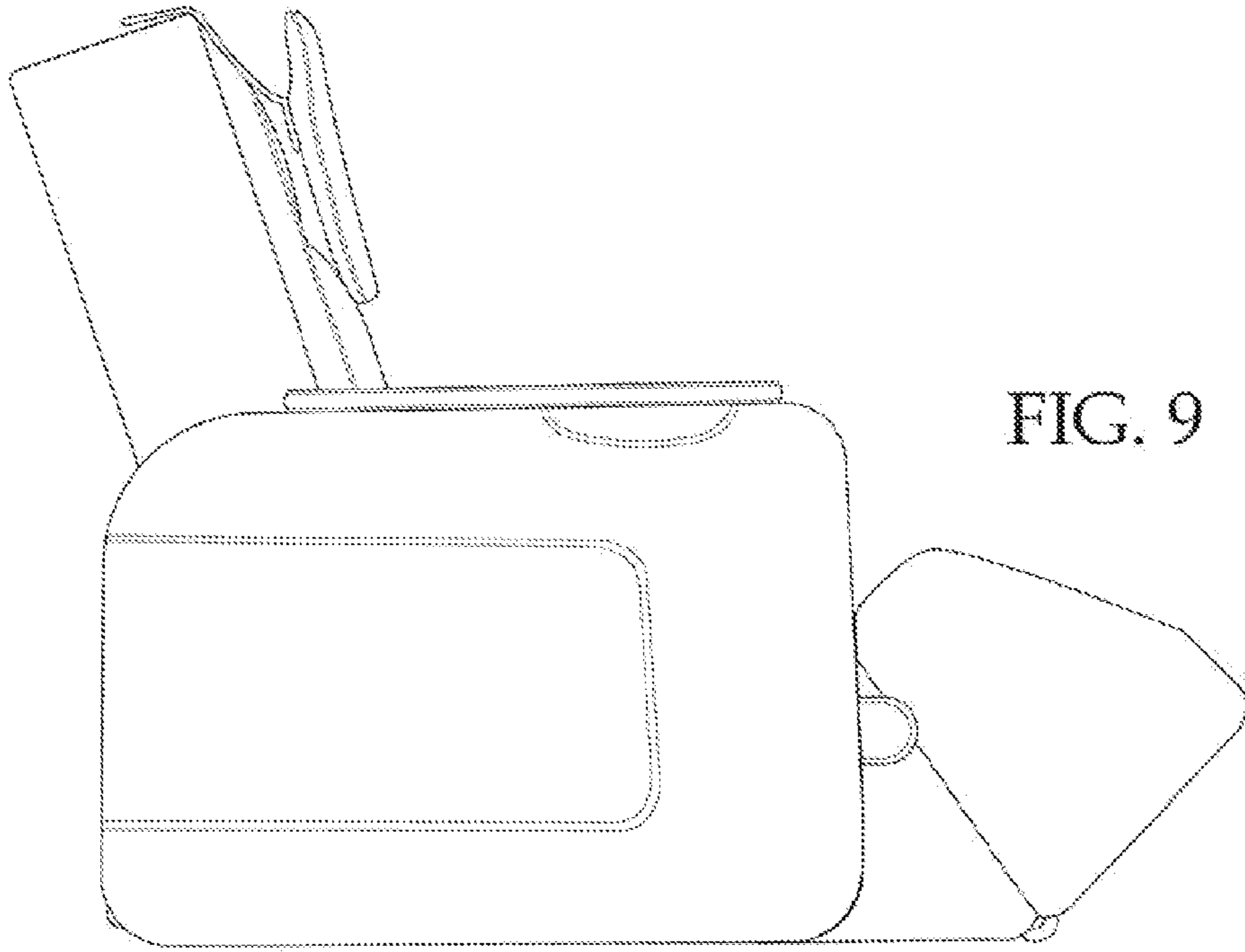


FIG. 9

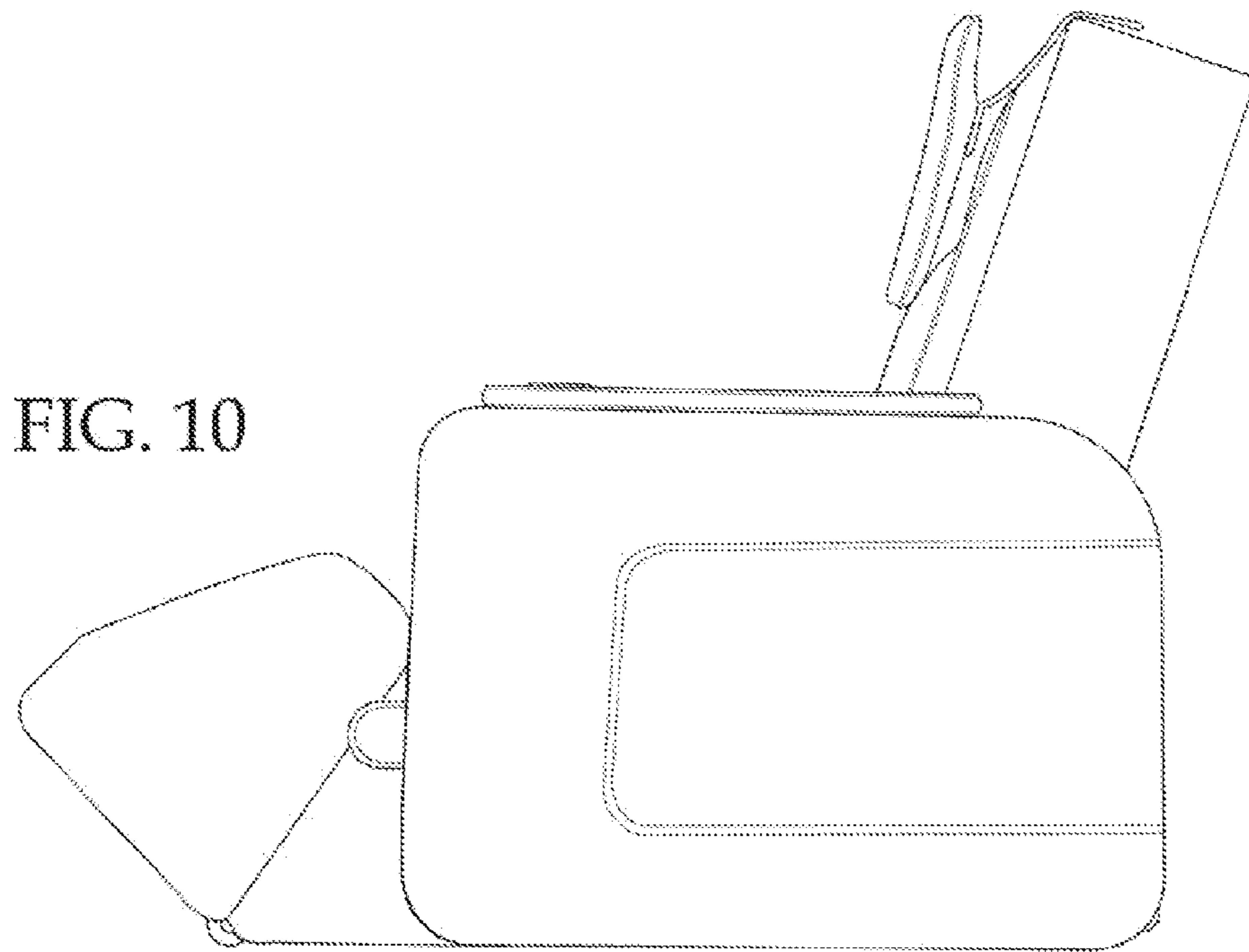


FIG. 10

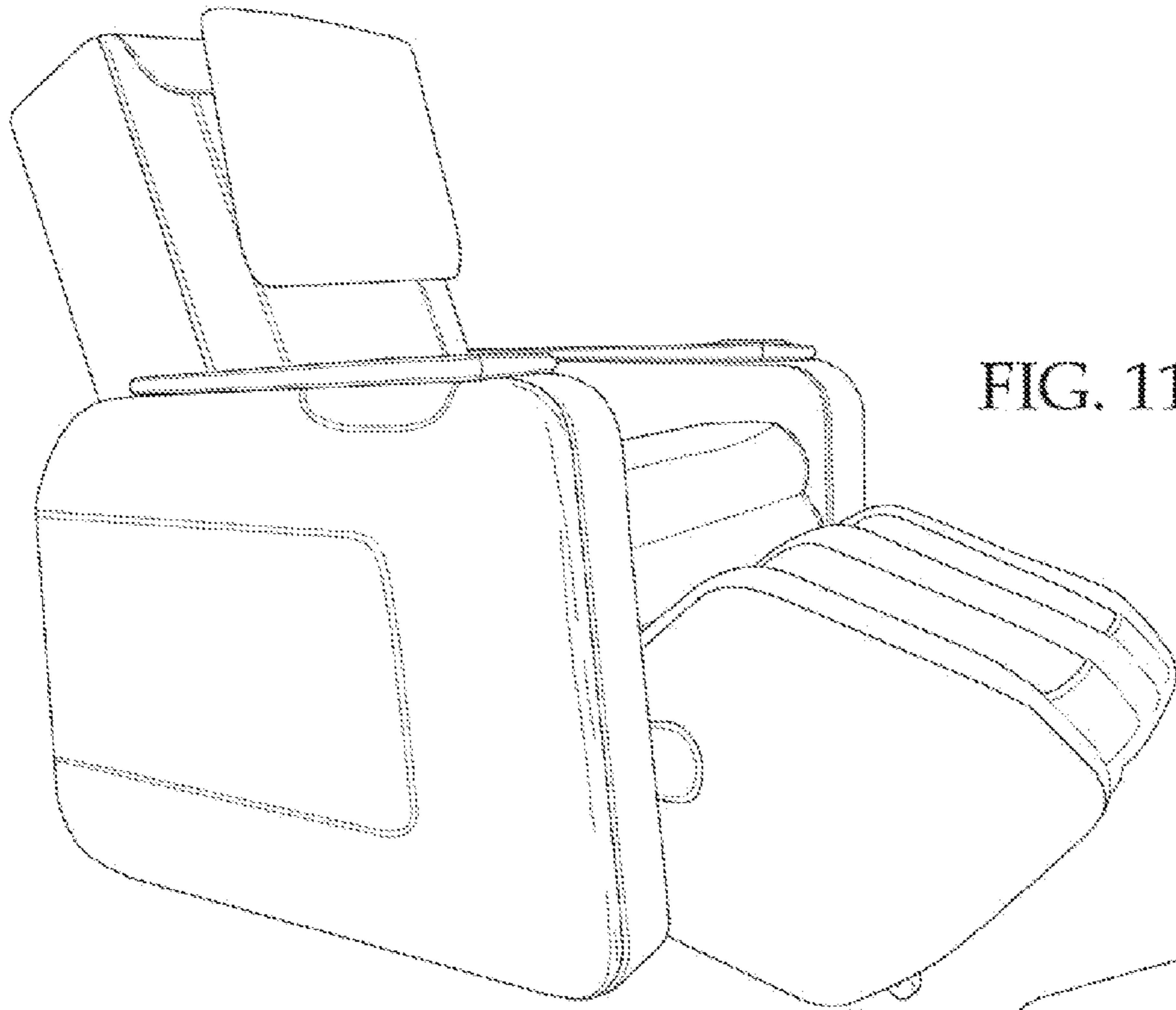


FIG. 11

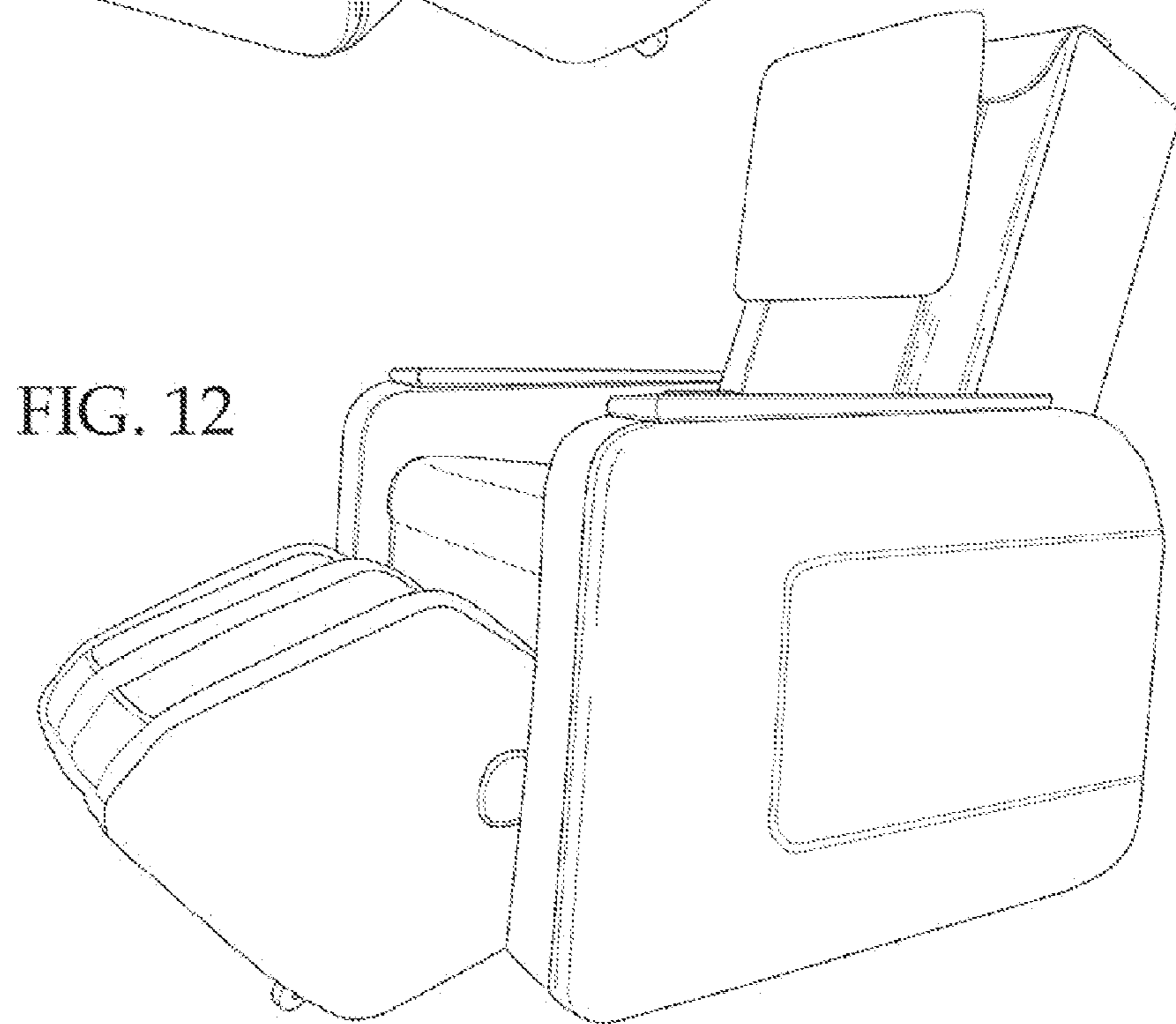


FIG. 12