



US00D740577S

(12) **United States Design Patent**
Cohen

(10) **Patent No.:** **US D740,577 S**
(45) **Date of Patent:** **** Oct. 13, 2015**

- (54) **STOOL**
- (71) Applicant: **Howard Cohen**, Indialantic, FL (US)
- (72) Inventor: **Howard Cohen**, Indialantic, FL (US)
- (**) Term: **14 Years**
- (21) Appl. No.: **29/507,061**
- (22) Filed: **Oct. 23, 2014**
- (51) **LOC (10) Cl.** **06-01**
- (52) **U.S. Cl.**
USPC **D6/349**; D6/692.1
- (58) **Field of Classification Search**
USPC D6/333, 335, 340, 344, 347, 349–355,
D6/358, 360, 363–365, 381, 596, 662.1,
D6/677, 685, 687, 688.15, 688.27, 690,
D6/691, 6, 92.1–92.3, 695.1, 708.16,
D6/708.2, 709, 709.2, 709.22, 711,
D6/716–716.7, 717; D25/63–65
CPC A47C 1/14; A47C 3/16–3/20; A47C 4/00;
A47C 4/28; A47C 5/02; A47C 5/04; A47C
5/043; A47C 7/00; A47C 7/006; A47C 7/02;
A47C 9/00; A47C 9/02; A47C 9/002; A47C
9/007; A47C 9/025; A47C 9/10; A47C 11/00;
A47C 12/00; A47C 13/00; A47C 16/02;
A47B 7/00–7/02; A47B 45/00; A47B
47/04–47/045; A47B 3/12
See application file for complete search history.

(56) **References Cited**

U.S. PATENT DOCUMENTS

- D280,371 S * 9/1985 Bayly D6/692.1
- D400,741 S * 11/1998 Schubert D6/692
- D412,254 S * 7/1999 Gower D6/692.1
- D450,941 S * 11/2001 Spitler D6/349

- D461,342 S * 8/2002 Spitler D6/688
- D547,571 S * 7/2007 Goldstein D6/692.1
- D606,337 S * 12/2009 Lee D6/692.4

OTHER PUBLICATIONS

Round counter height teak bar stool. [online] Retrieved Jul. 22, 2015 from URL: <<http://paradiseteak.com/san-leandro-teak/round-counter-height-teak-bar-stool/>>.*

The Original 18" Omega Round Teak Shower Bench. [online] Retrieved from URL: <http://www.amazon.com/ORIGINAL-OMEGA-Round-Teak-Shower/dp/B00OV5B2OS/ref=sr_1_3?ie=UTF8&qid=1437582933&sr=8-3&keywords=aqua%E2%80%A6>.*

Country Casual, Seneca Spa Stool, Website downloaded Mar. 20, 2015, <http://www.countrycasual.com/teak-spa-stool-seneca-8535#details>.

* cited by examiner

Primary Examiner — Susan Bennett Hattan
Assistant Examiner — Vy Koenig
 (74) *Attorney, Agent, or Firm* — Stephen C. Thomas

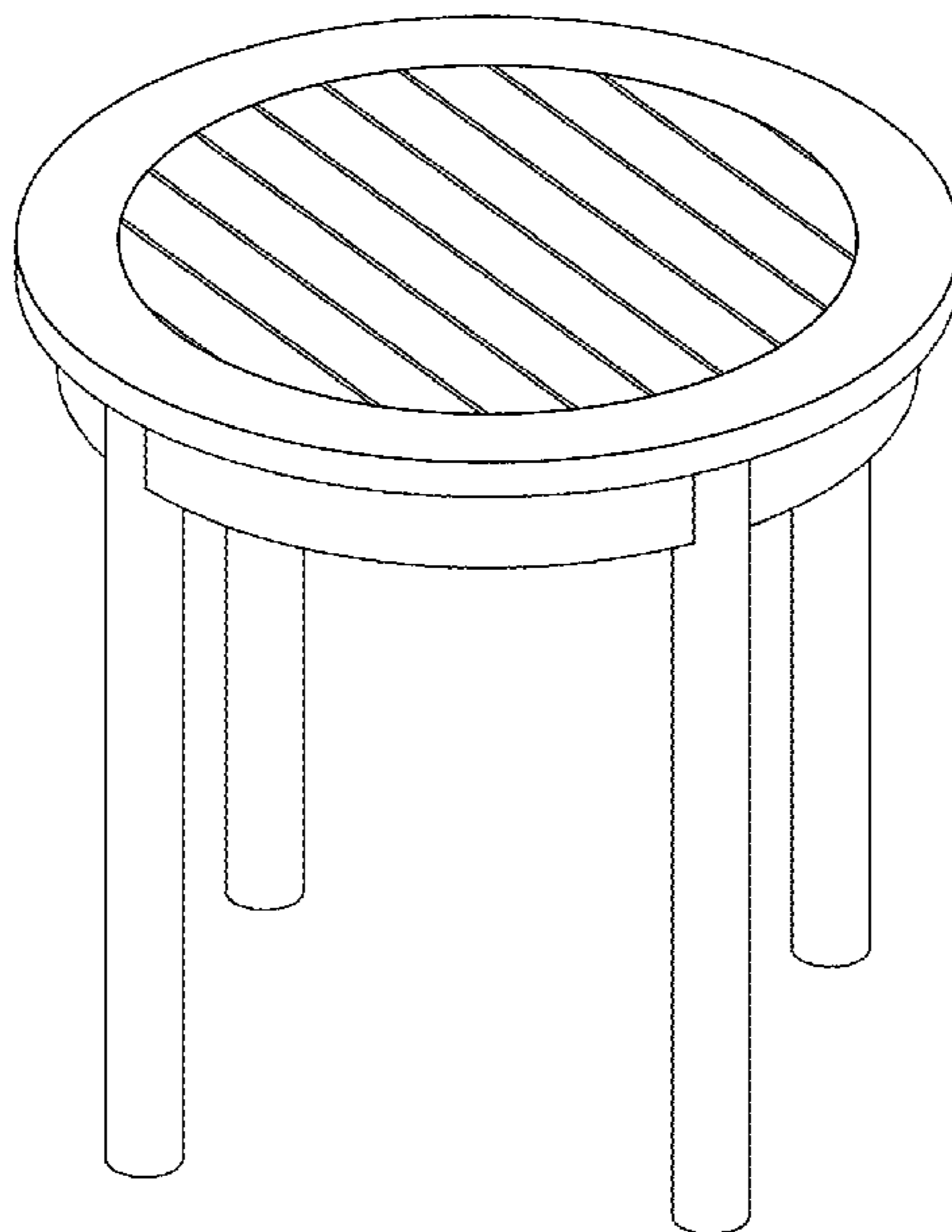
(57) **CLAIM**

The ornamental design for a stool, as shown and described.

DESCRIPTION

FIG. 1 depicts a perspective view of the stool of the invention. FIG. 2 depicts a front view of the stool of the invention. FIG. 3 depicts a left side view of the stool of the invention. FIG. 4 depicts a right side view of the stool of the invention. FIG. 5 depicts a top view of the stool of the invention; and, FIG. 6 depicts a bottom view of the stool of the invention. The broken lines in the drawings depict portions of the stool that form no part of the claimed design.

1 Claim, 6 Drawing Sheets



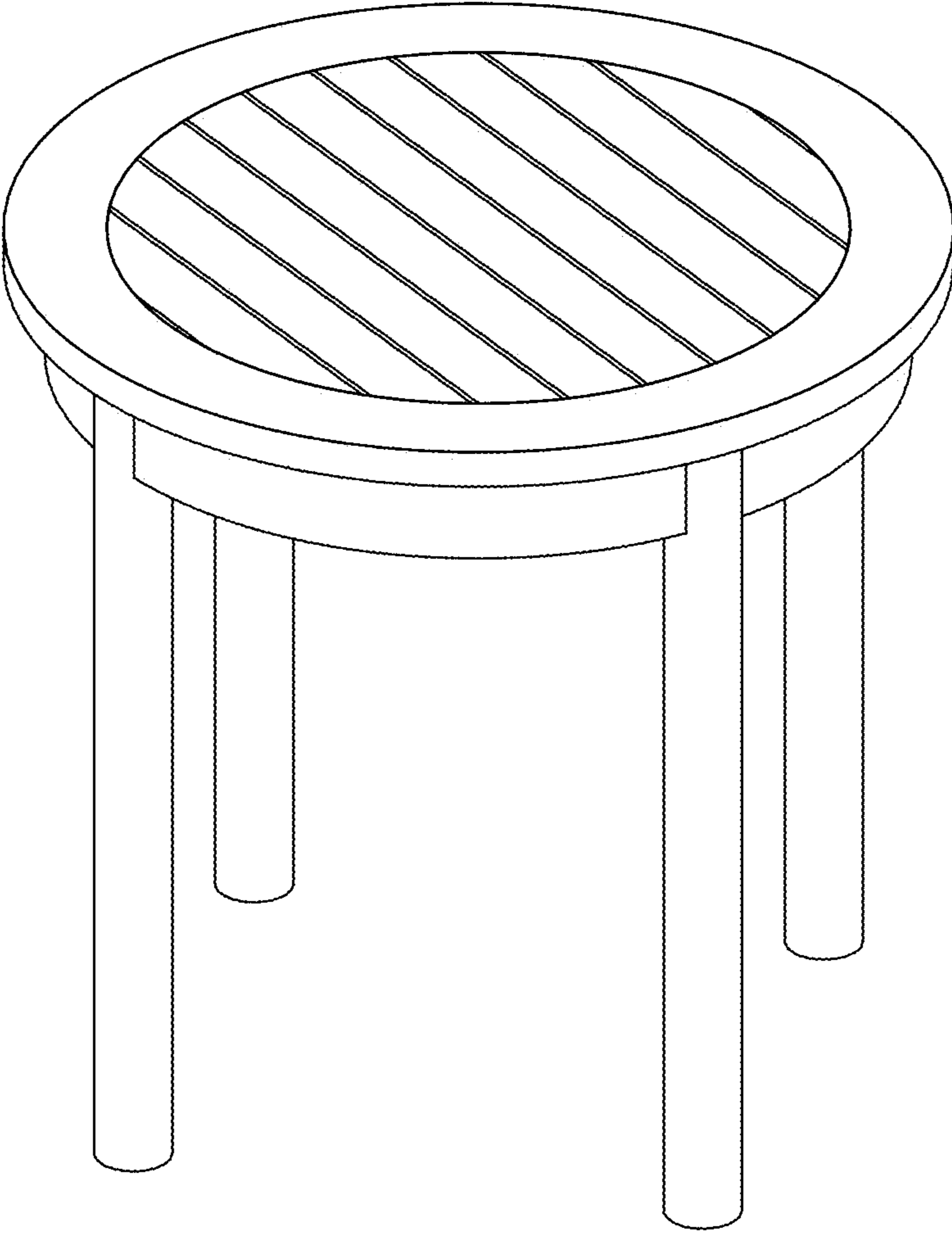


Fig. 1

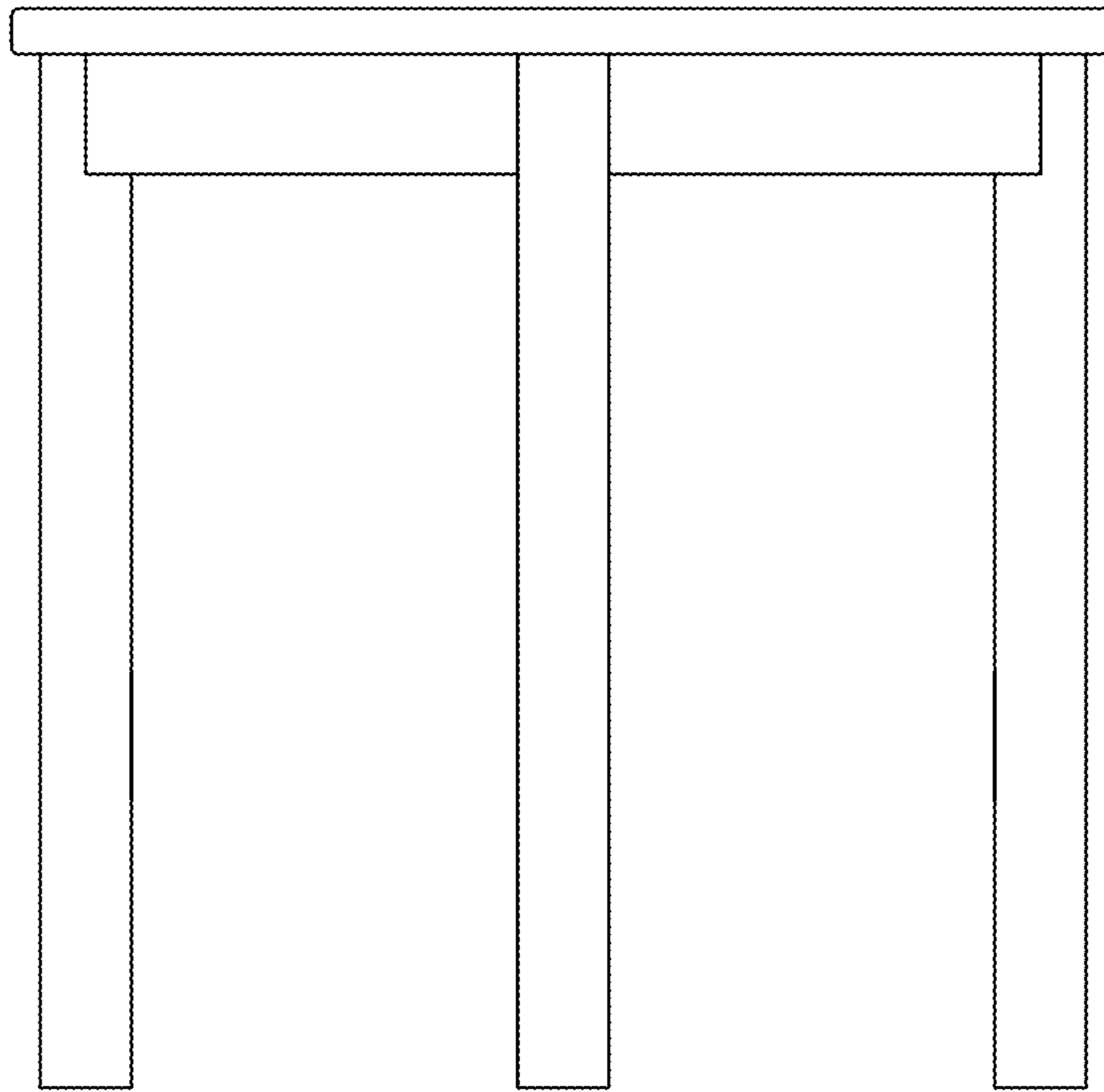


Fig. 2

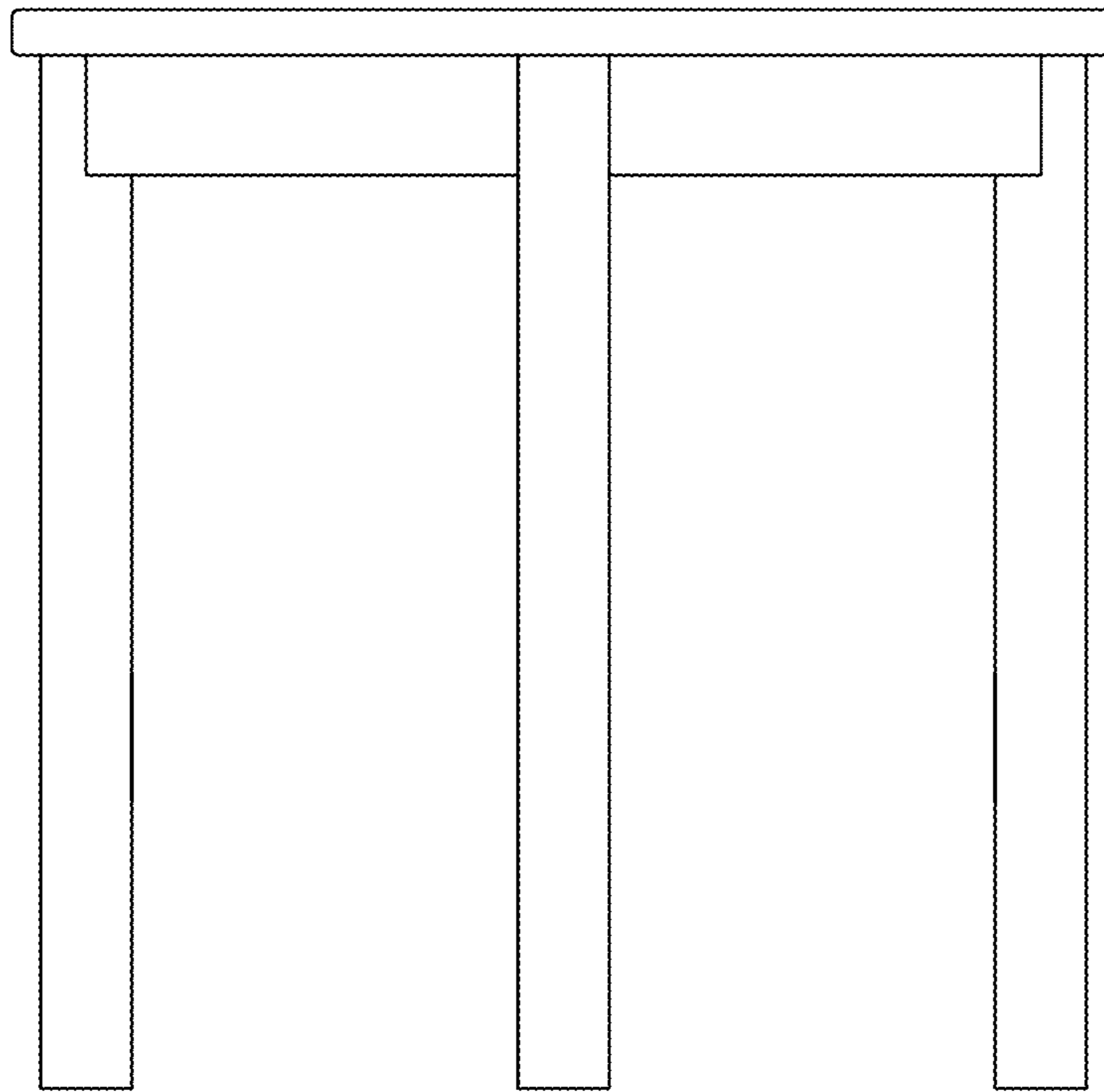


Fig. 3

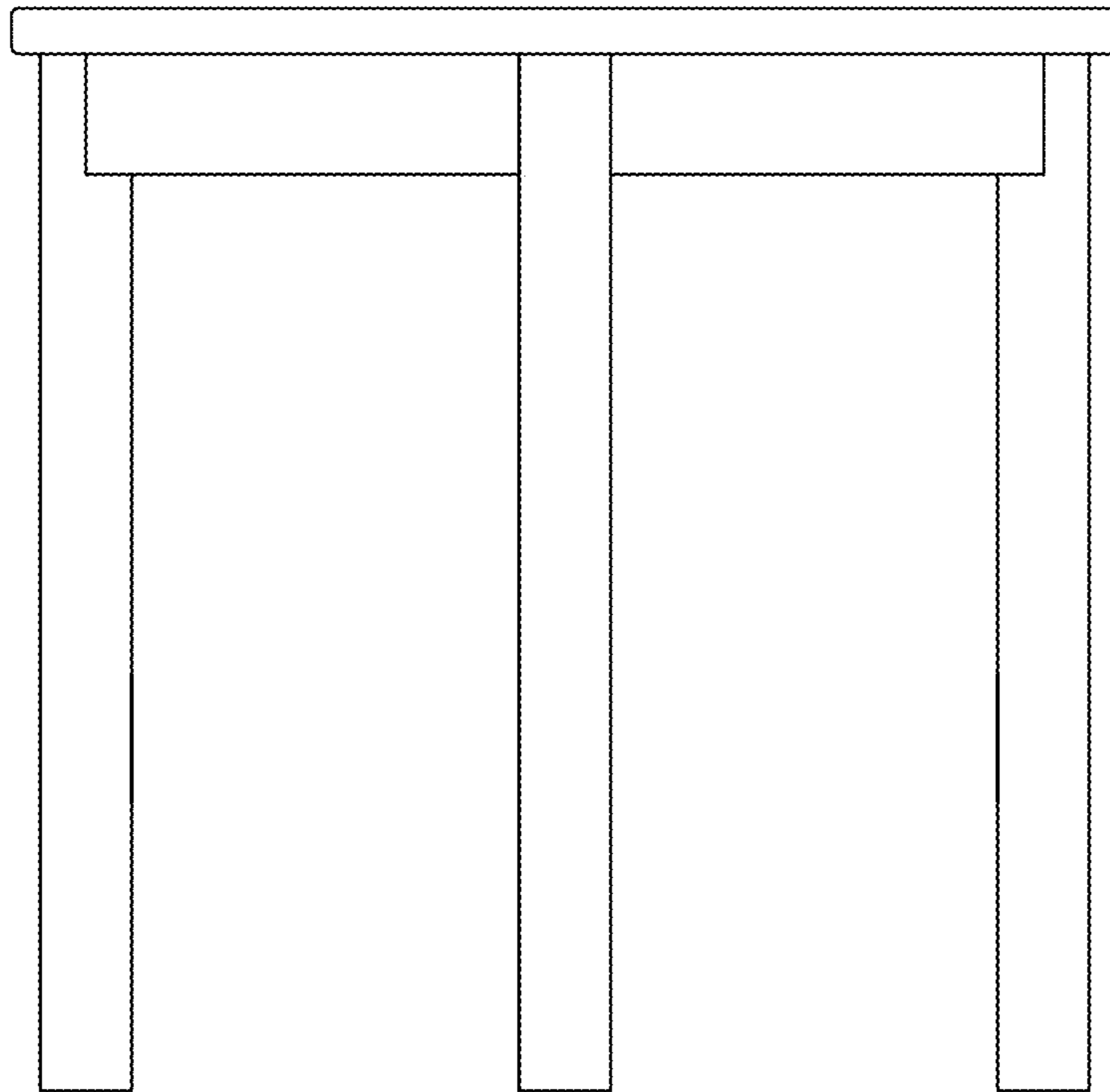


Fig. 4

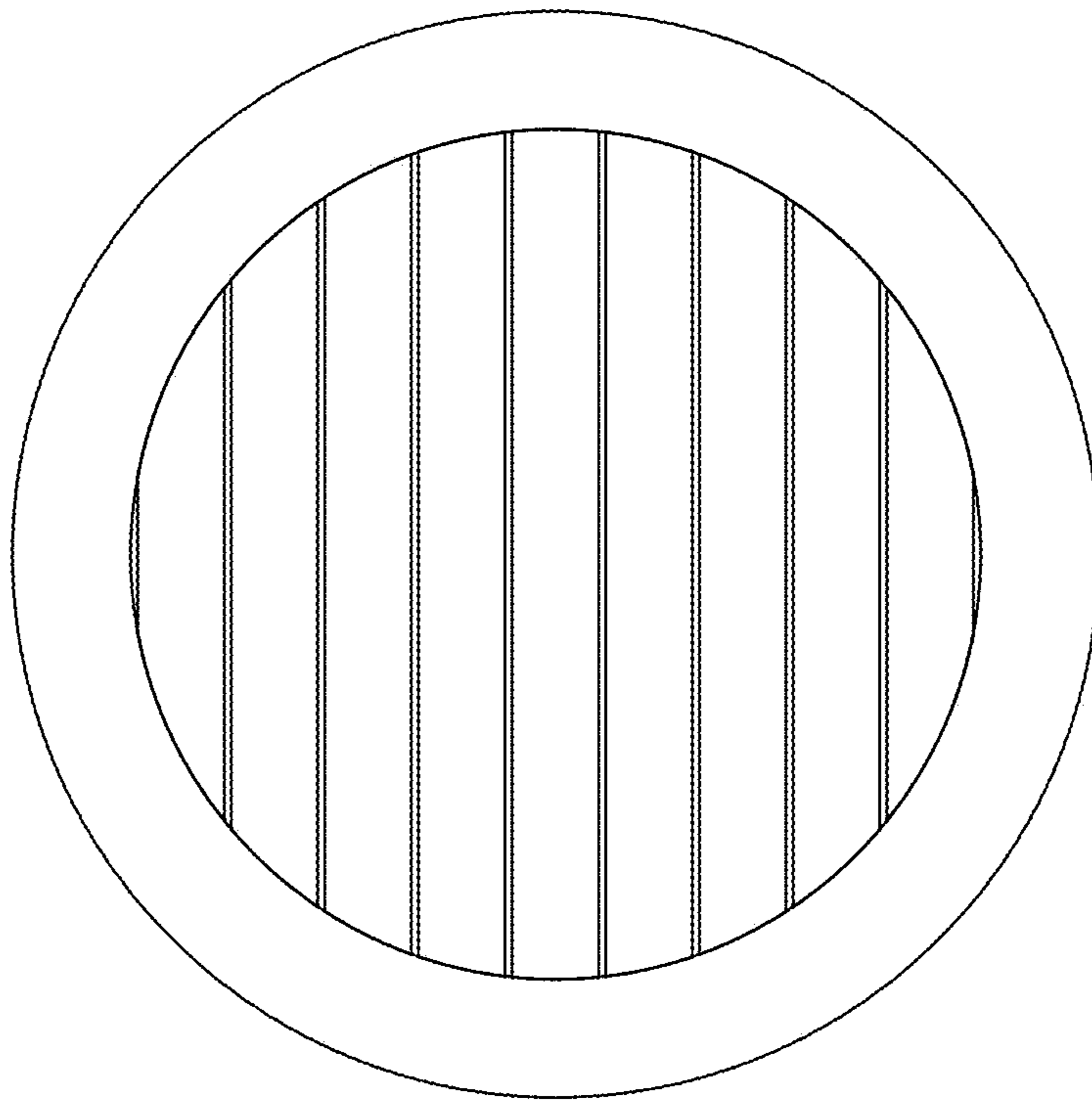


Fig. 5

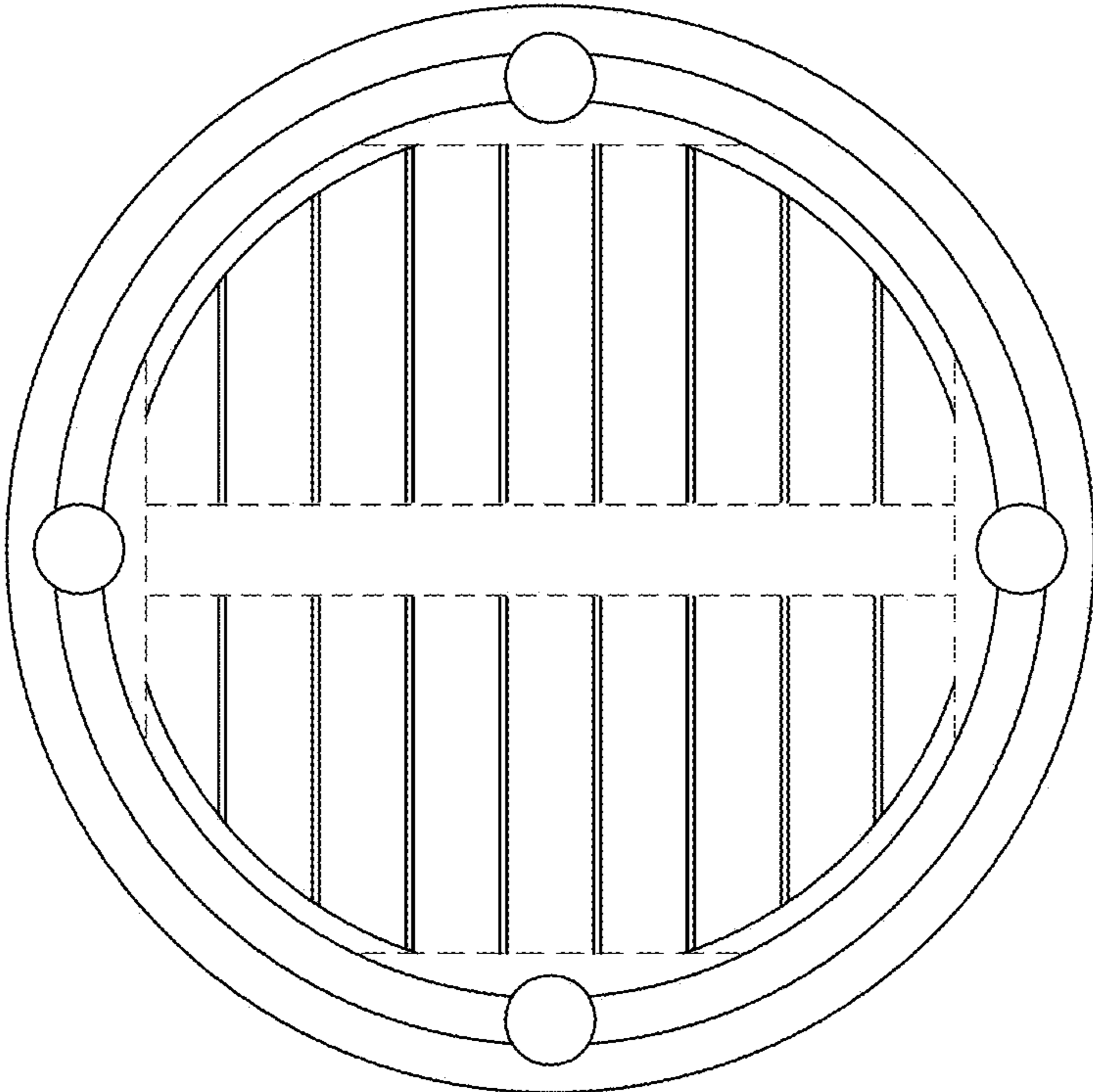


Fig. 6