



US00D740576S

(12) **United States Design Patent**  
**Cohen**

(10) **Patent No.:** **US D740,576 S**

(45) **Date of Patent:** **\*\* Oct. 13, 2015**

(54) **BENCH**

(71) Applicant: **Howard Cohen**, Indialantic, FL (US)

(72) Inventor: **Howard Cohen**, Indialantic, FL (US)

(\*\*) Term: **14 Years**

(21) Appl. No.: **29/460,027**

(22) Filed: **Jul. 6, 2013**

(51) **LOC (10) Cl.** ..... **06-01**

(52) **U.S. Cl.**

USPC ..... **D6/349**; D6/370

(58) **Field of Classification Search**

USPC ..... D6/330, 336, 337, 341, 346, 349-355,  
D6/357, 362, 364-373, 376, 377, 381, 555,  
D6/645, 656, 658, 665, 674, 675.5, 676,  
D6/682.4, 685-692, 694, 694.2, 704, 705,  
D6/707, 707.8, 707.19, 708, 708.2, 708.23,  
D6/716.1-716.6, 717, 717.2

CPC ..... A47C 3/18-3/20; A47C 5/02; A47C 9/00;  
A47C 11/00; A47C 13/00; A47C 9/06;  
A47C 7/16

See application file for complete search history.

(56) **References Cited**

**U.S. PATENT DOCUMENTS**

D239,352 S *	3/1976	Petrick .....	D6/479
D239,684 S *	4/1976	Robertson .....	D6/485
D350,452 S *	9/1994	Ward .....	D6/480
D393,381 S *	4/1998	Santoro .....	D6/465
6,062,401 A *	5/2000	Hall et al. ....	211/187
D439,443 S *	3/2001	Nadon .....	D6/465
D442,391 S *	5/2001	Wu .....	D6/436

D460,880 S *	7/2002	Ferrer Beltran .....	D6/480
D552,890 S *	10/2007	Domack et al. ....	D6/480
D713,156 S *	9/2014	Cohen .....	D6/349
D718,942 S *	12/2014	Cohen .....	D6/349

**OTHER PUBLICATIONS**

Spa Teak Shower Bench with Shelf. [online] Retrieved Mar. 18, 2015 from URL: <<http://www.frontgate.com/spa-teak-shower-bench-with-shelf/bed-bath/bathroom-accessories/shower-accessories/26904>>.\*

AquaTeak, 341 Spa Shower Bench with Shelf 24", Date Published May 4, 2011, [www.aquateak.com](http://www.aquateak.com).

AquaTeak, 341 Spa Shower Bench with Shelf 24", Date Downloaded Jun. 24, 2013, [www.aquateak.com](http://www.aquateak.com).

\* cited by examiner

*Primary Examiner* — Susan Bennett Hattan

*Assistant Examiner* — Vy Koenig

(74) *Attorney, Agent, or Firm* — Stephen C. Thomas

(57) **CLAIM**

The ornamental design for a bench, as shown and described.

**DESCRIPTION**

FIG. 1 depicts a perspective view of the bench of the invention.

FIG. 2 depicts a front view of the bench of the invention.

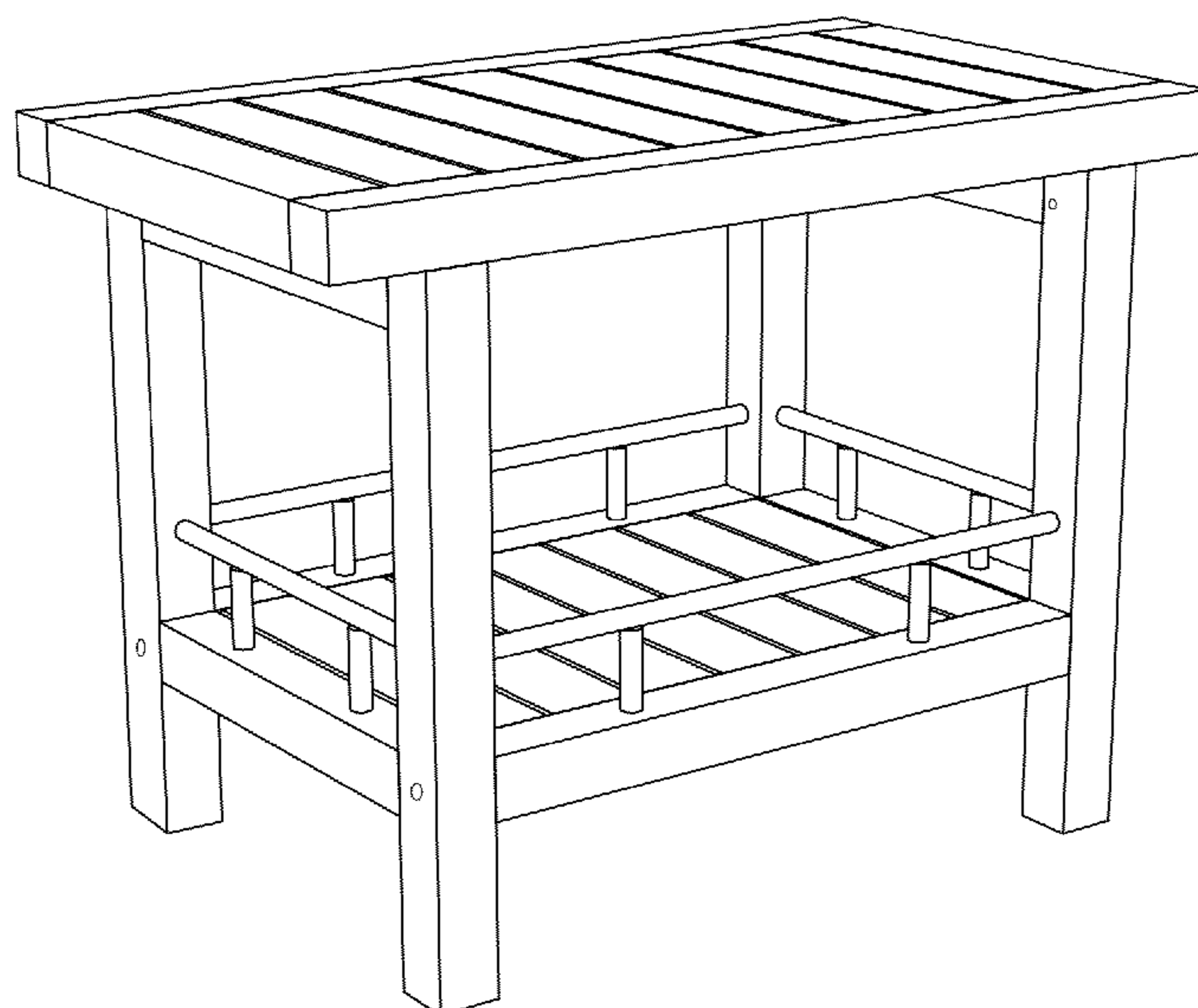
FIG. 3 depicts a perspective left side view of the bench of the invention.

FIG. 4 depicts a perspective right side view of the bench of the invention.

FIG. 5 depicts a top view of the bench of the invention; and,

FIG. 6 depicts a bottom view of the bench of the invention.

**1 Claim, 6 Drawing Sheets**



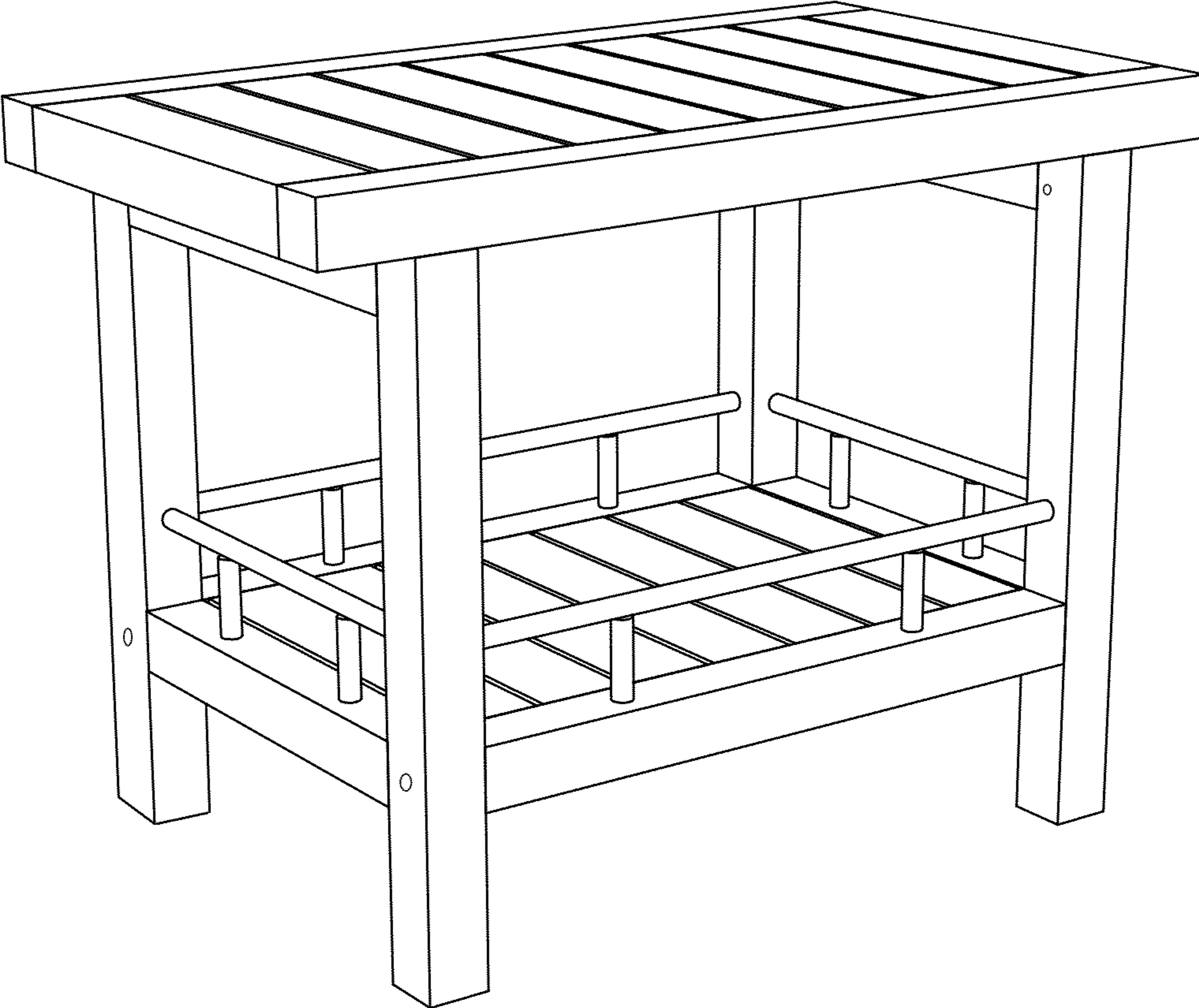


Fig.1

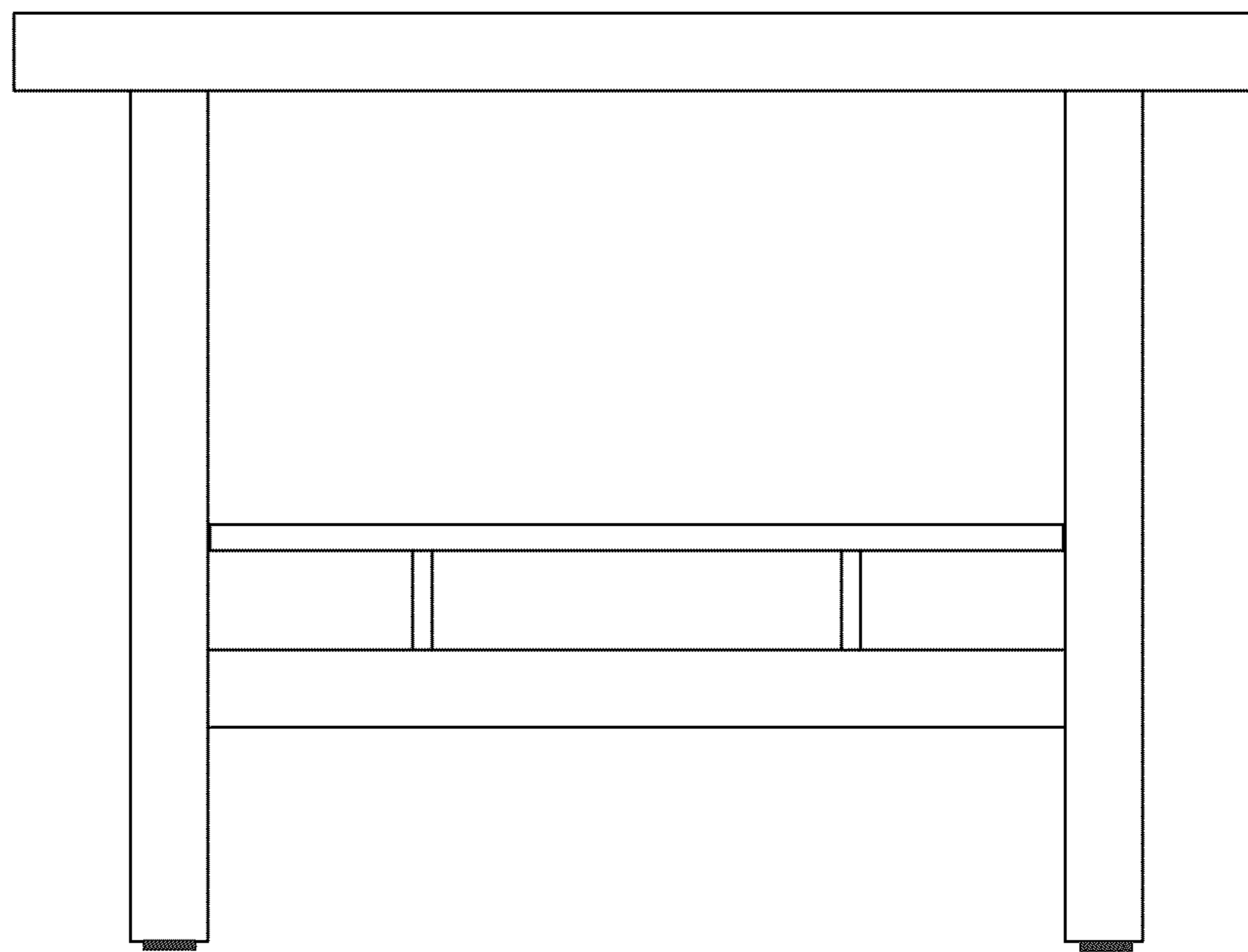


Fig.2

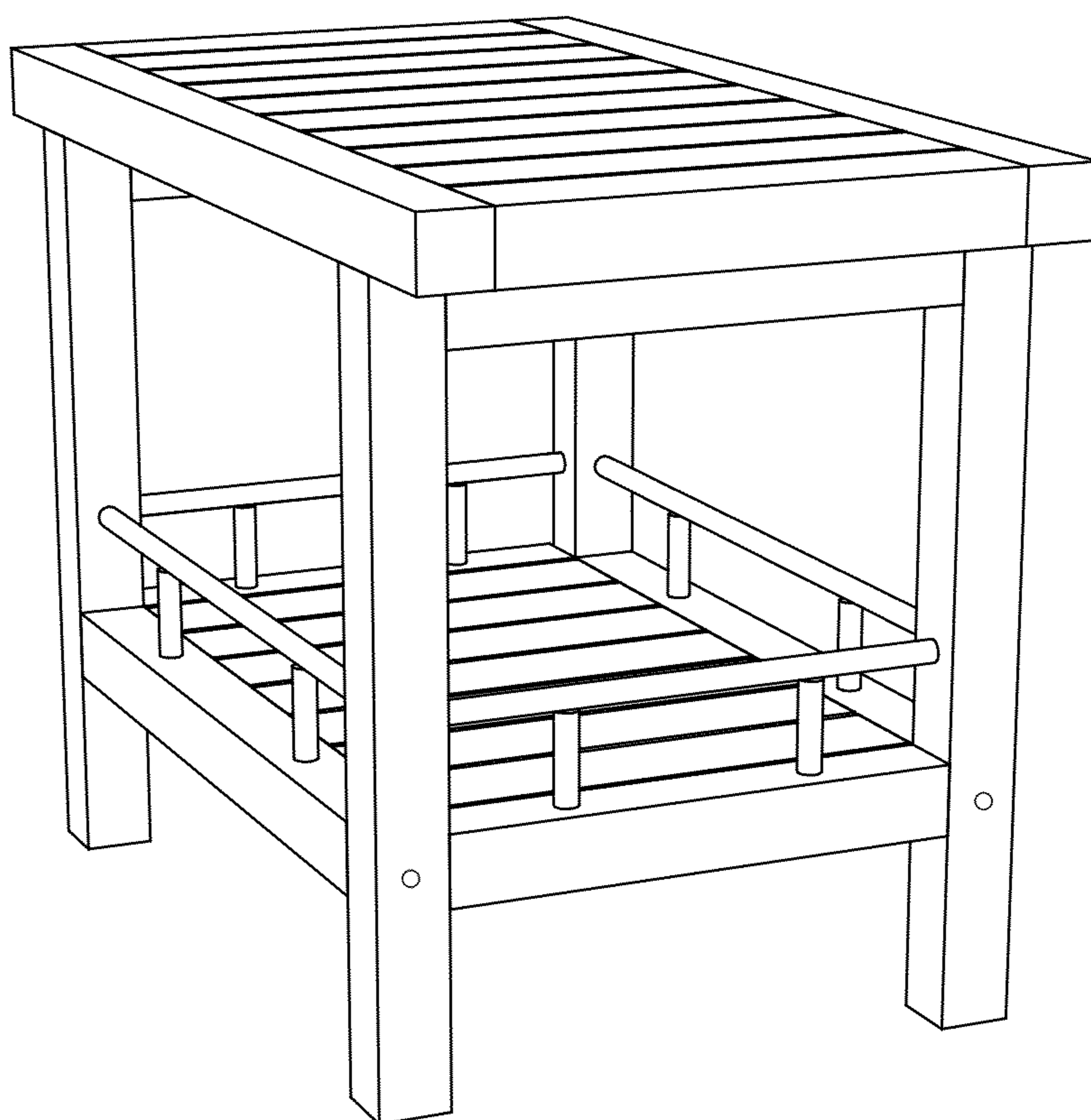


Fig.3

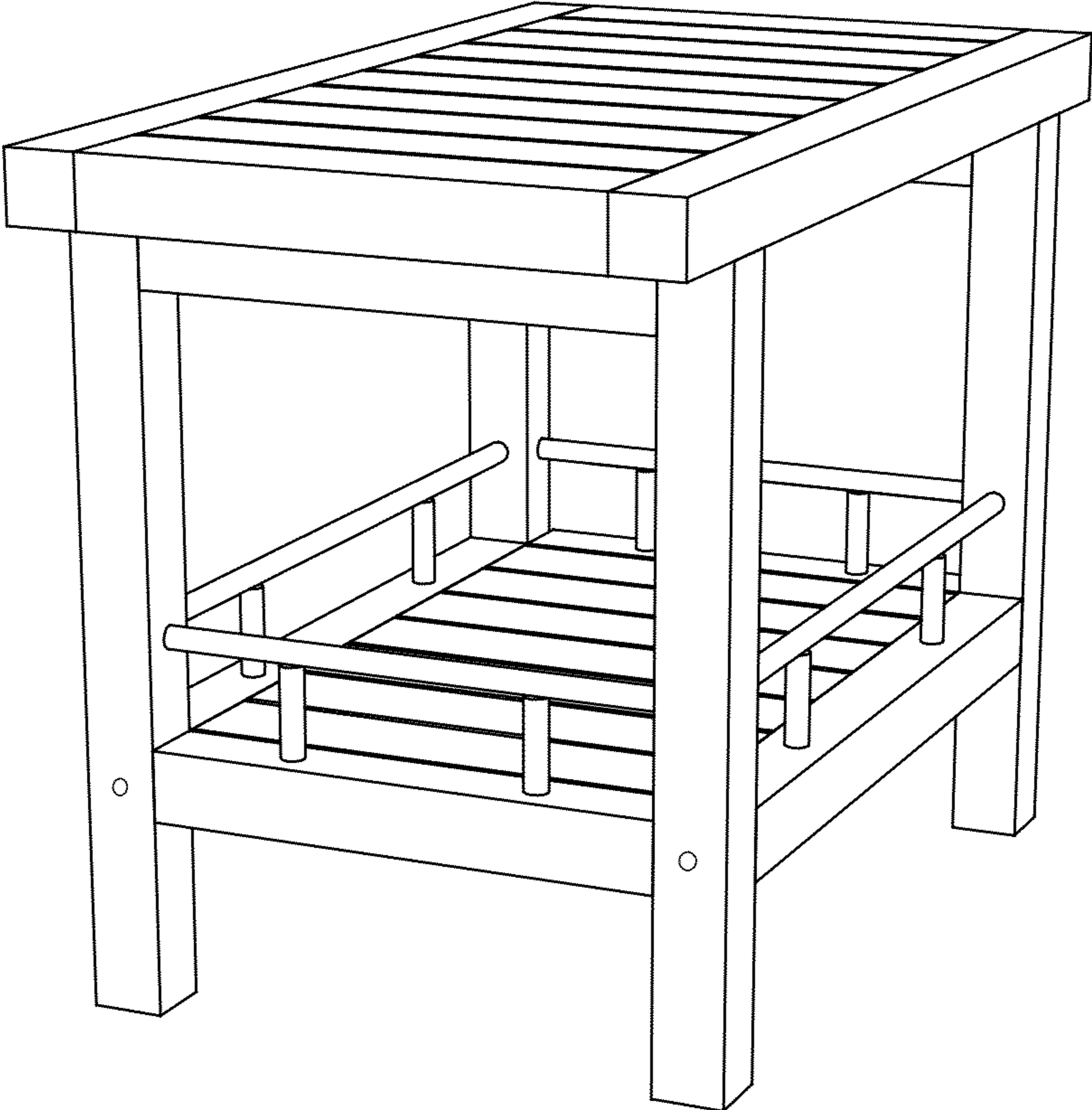


Fig.4

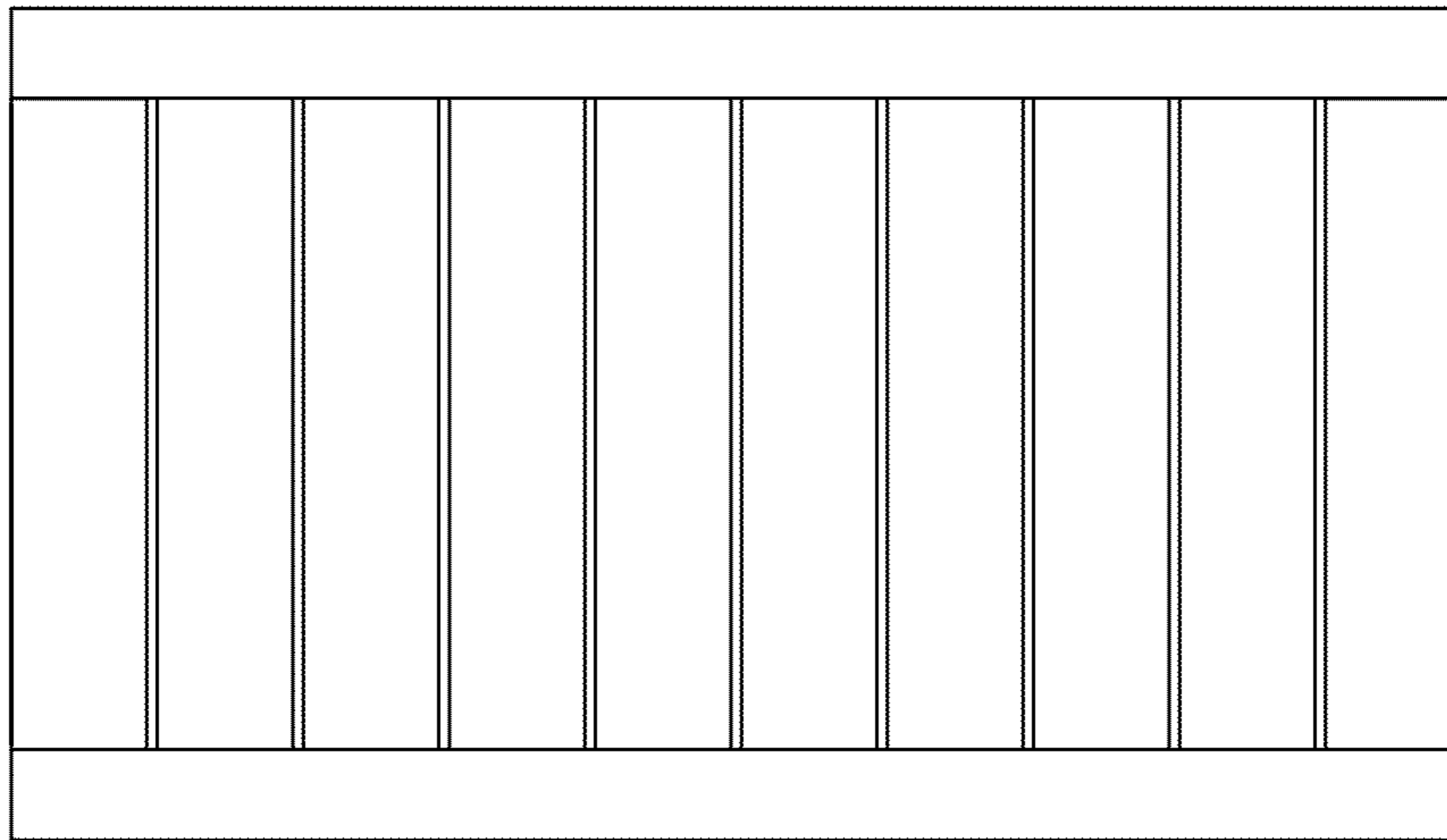


Fig. 5

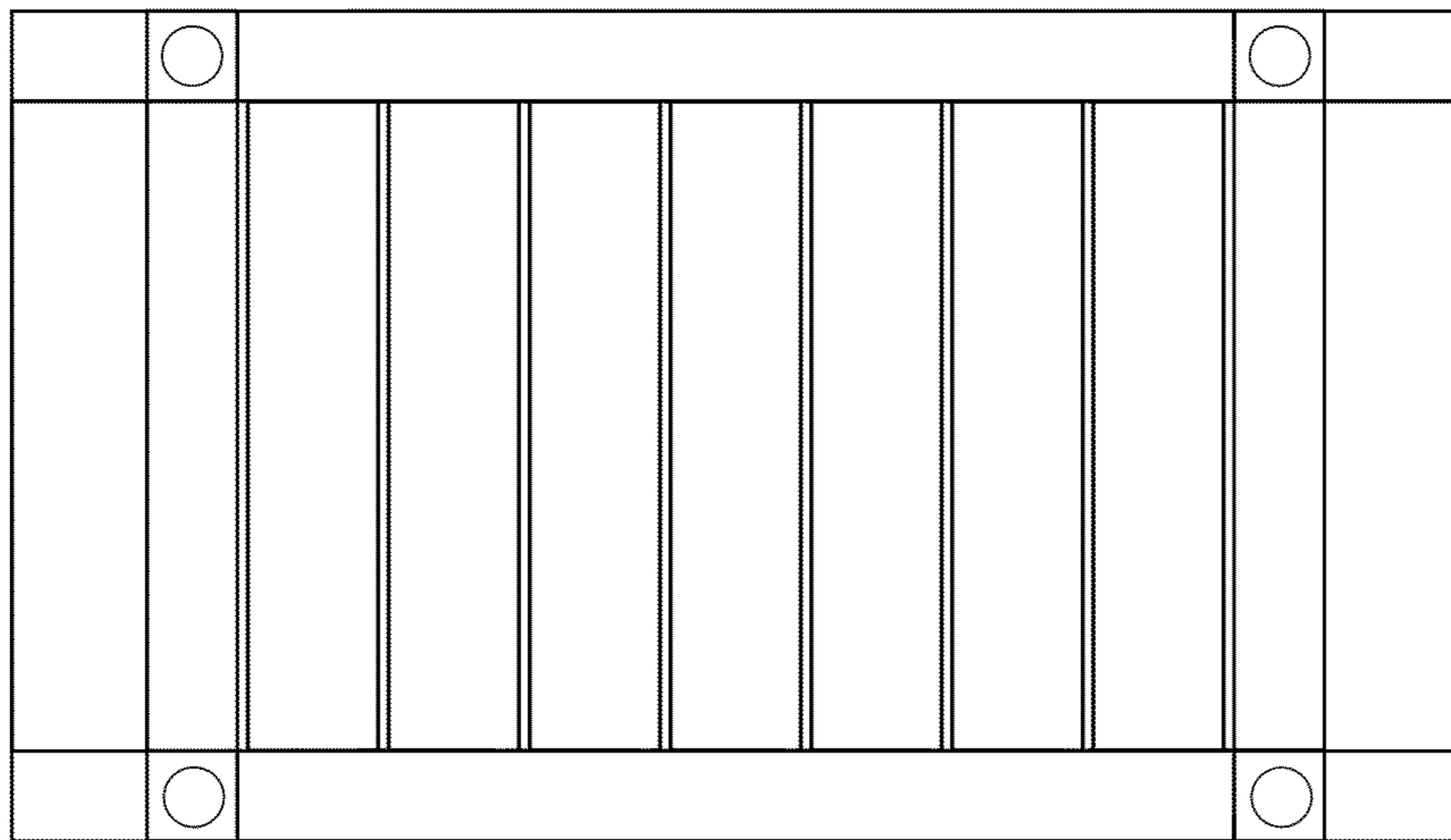


Fig. 6