



US00D740575S

(12) **United States Design Patent**  
**Scott**

(10) **Patent No.:** **US D740,575 S**  
(45) **Date of Patent:** **\*\* Oct. 13, 2015**

(54) **CHAIR FOR GAMING**  
(71) Applicant: **TOD Gaming**, North Bend, OR (US)  
(72) Inventor: **Deana Scott**, North Bend, OR (US)  
(73) Assignee: **TOD Gaming**, North Bend, OR (US)  
(\*\*) Term: **14 Years**  
(21) Appl. No.: **29/456,854**  
(22) Filed: **Jun. 4, 2013**  
(51) **LOC (10) Cl.** ..... **06-01**  
(52) **U.S. Cl.**  
USPC ..... **D6/334**  
(58) **Field of Classification Search**  
USPC ..... 22/334–338, 349, 355, 361, 368–370,  
22/376, 379–381, 716, 716.1, 716.2, 340,  
22/354, 377; 297/16.1, 42, 94, 135, 175,  
297/232, 233, 350, 351, 445.1, 448.1,  
297/448.2, 451.9; 5/12.1, 12.2; D21/809  
CPC ..... A47C 17/00; A47C 17/02; A47C 17/12;  
A47C 17/18; A47C 7/021; A47C 31/00;  
A47C 3/16  
See application file for complete search history.

D505,276 S *	5/2005	Cronk et al.	.....	D6/334
D506,323 S *	6/2005	White, III	.....	D6/334
D533,365 S *	12/2006	Martin	.....	D6/334
D539,561 S *	4/2007	Martin	.....	D6/381
D550,972 S *	9/2007	Caywood	.....	D6/334
D569,111 S *	5/2008	Swanson	.....	D6/334
D572,916 S *	7/2008	Galardo et al.	.....	D6/334
D580,664 S *	11/2008	Cramer et al.	.....	D6/334
D586,131 S *	2/2009	Cramer et al.	.....	D6/334
D650,605 S *	12/2011	Haimoff et al.	.....	D6/369
D702,051 S *	4/2014	Rasenberg et al.	.....	D6/334
D716,567 S *	11/2014	George et al.	.....	D6/334

\* cited by examiner

*Primary Examiner* — Sandra Snapp

(74) *Attorney, Agent, or Firm* — Marger Johnson

(57) **CLAIM**

The ornamental design for a chair for gaming, as shown and described.

**DESCRIPTION**

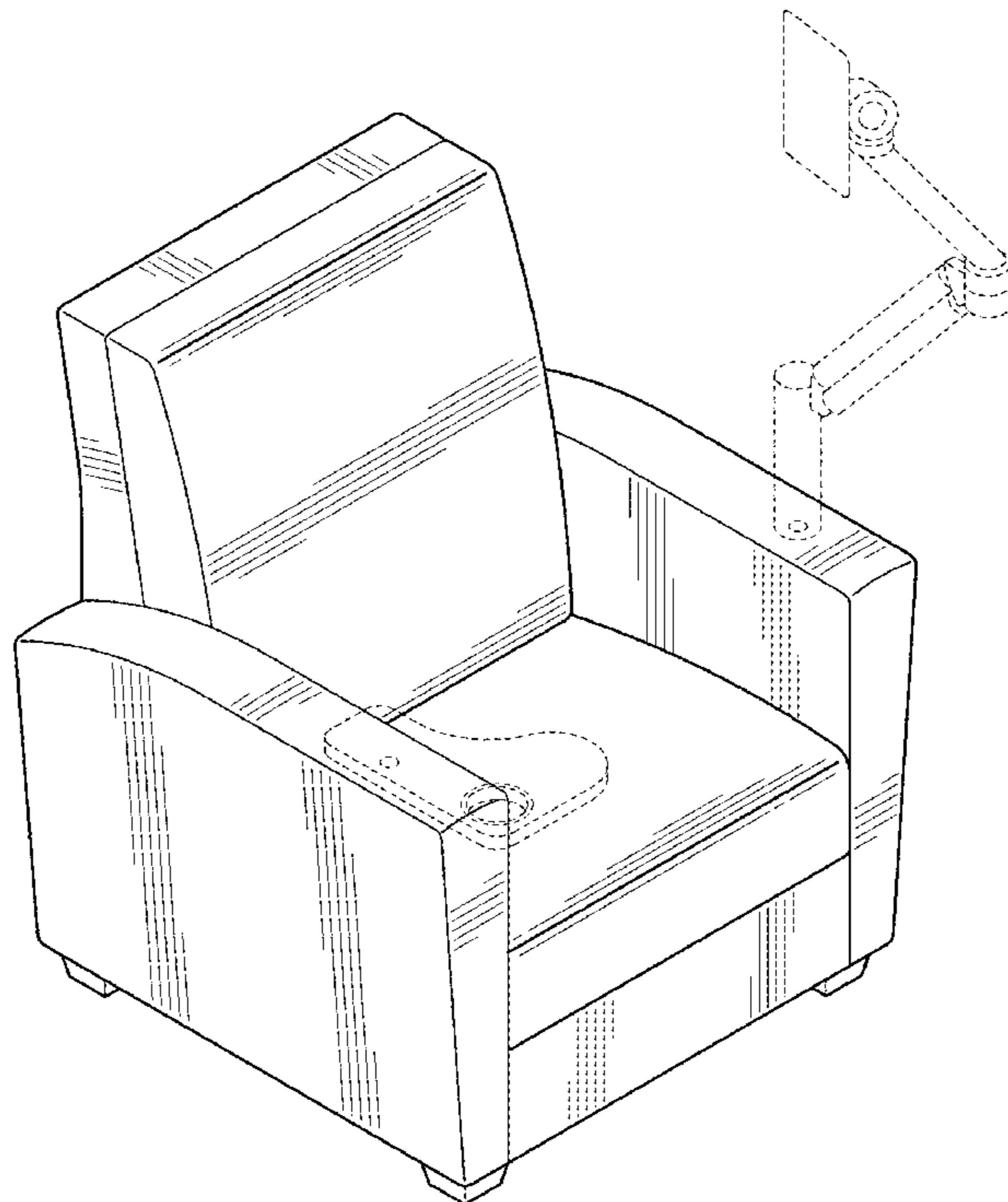
FIG. 1 is a perspective view of a first embodiment of my chair for gaming;  
FIG. 2 is a front elevation view thereof;  
FIG. 3 is a back elevation view thereof;  
FIG. 4 is a right side elevation view thereof; and,  
FIG. 5 is a top plan view thereof.  
The bottom side of the chair is unornamented.  
The broken lines are for illustrative purposes only and form no part of the claimed design.

**1 Claim, 3 Drawing Sheets**

(56) **References Cited**

U.S. PATENT DOCUMENTS

D422,422 S *	4/2000	Black	.....	D6/369
D486,652 S *	2/2004	Nemeth	.....	D6/334
D489,908 S *	5/2004	Ricci	.....	D6/334
D498,598 S *	11/2004	Schweikarth et al.	.....	D6/334



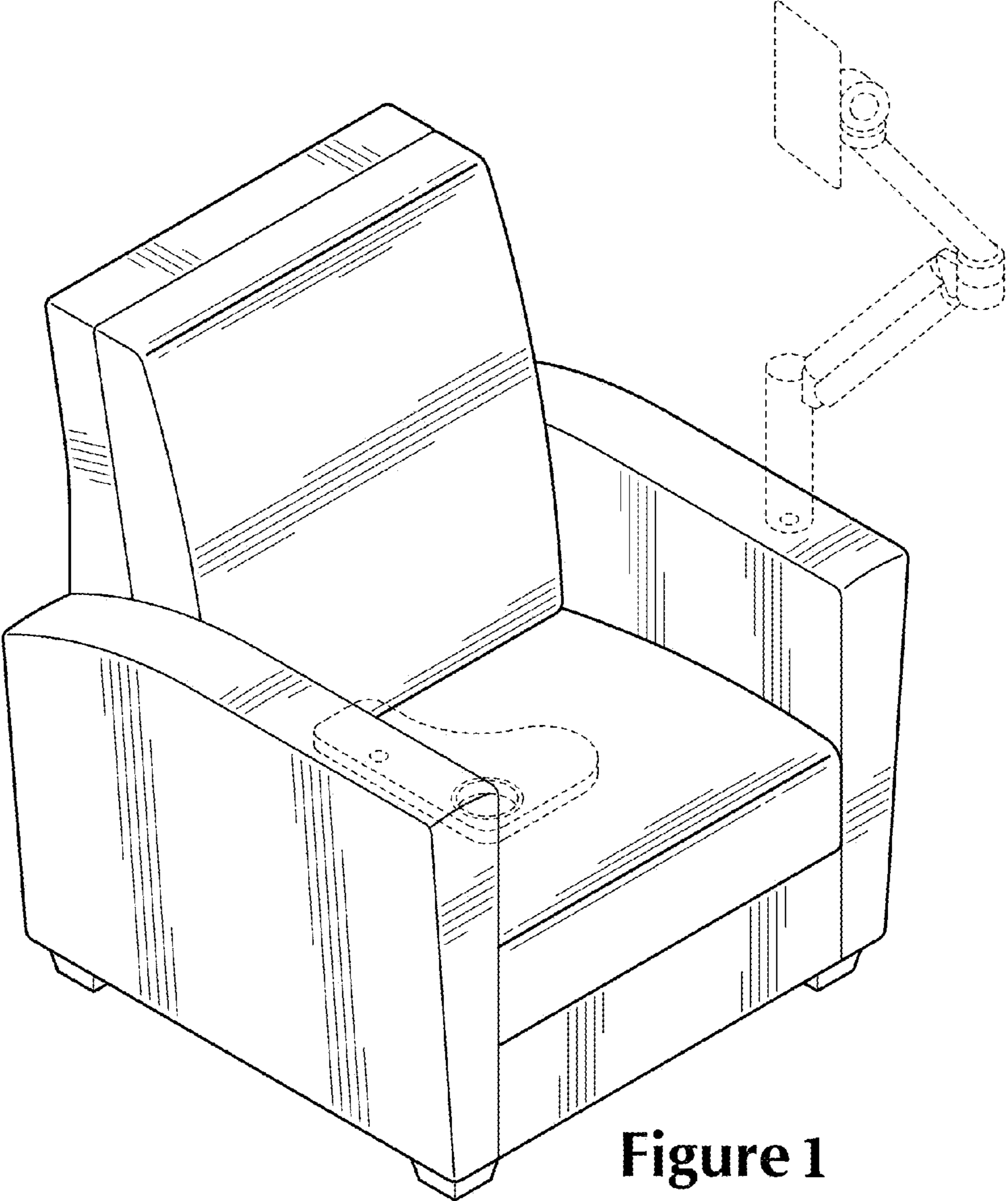


Figure 1

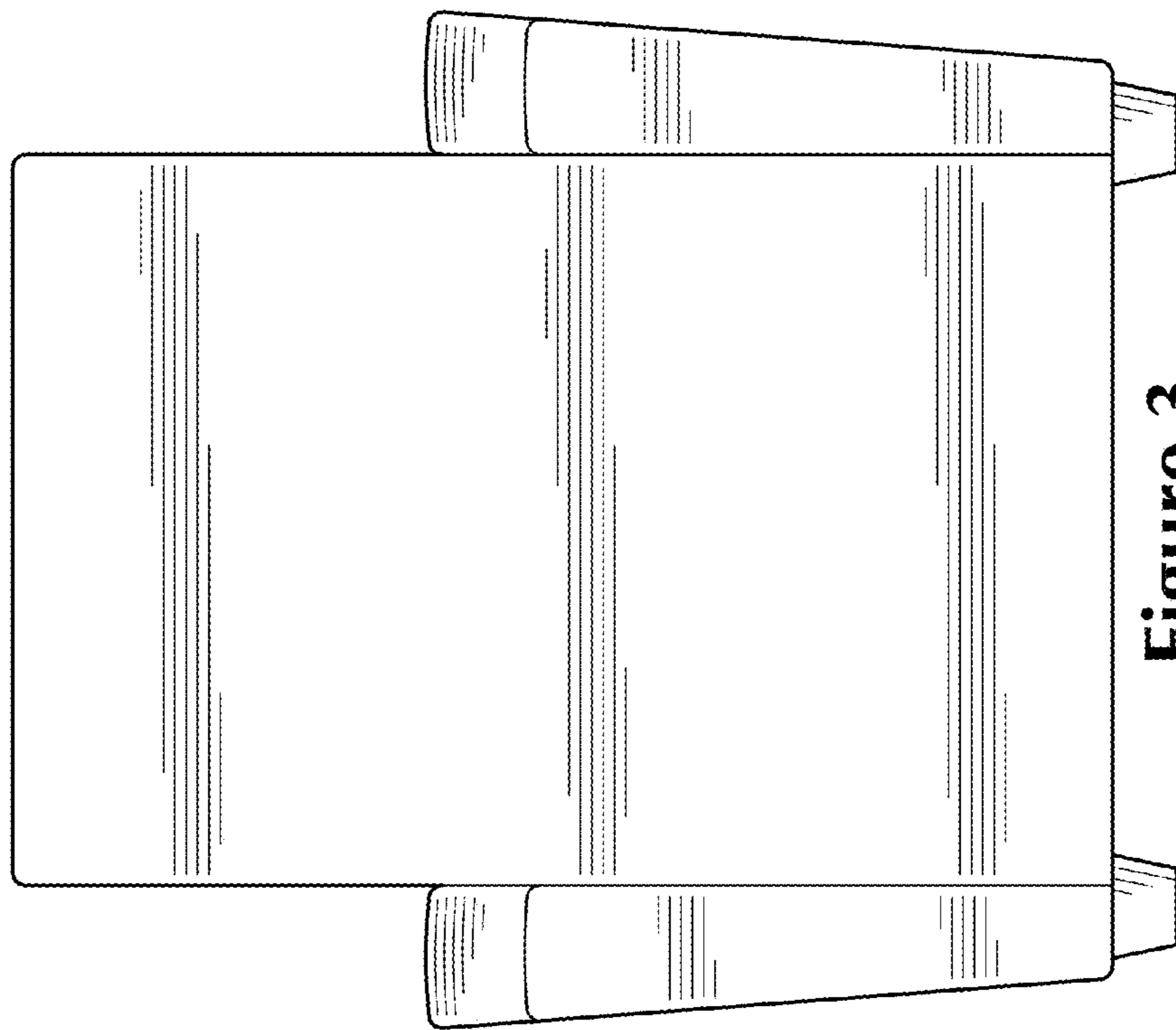


Figure 3

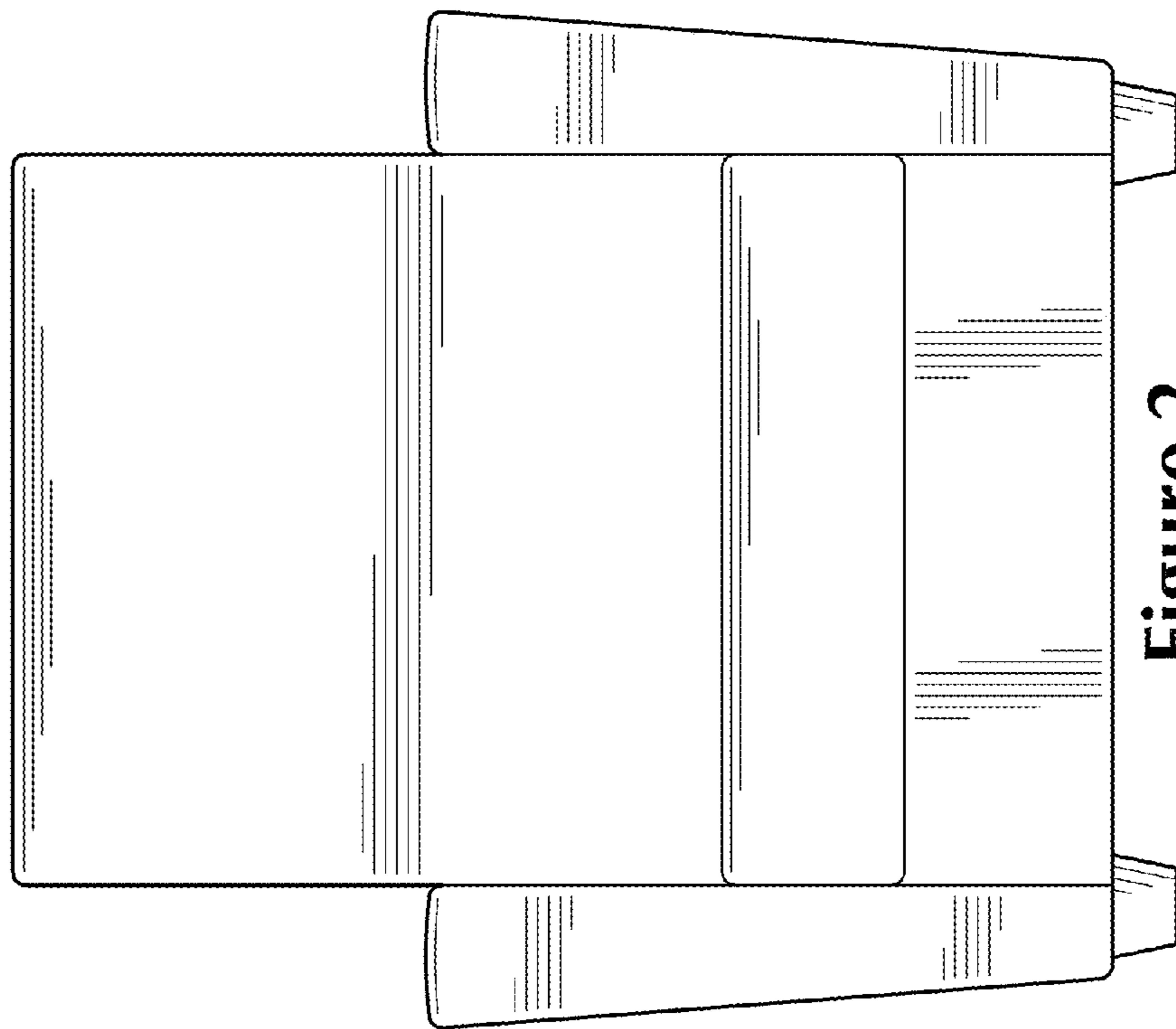


Figure 2

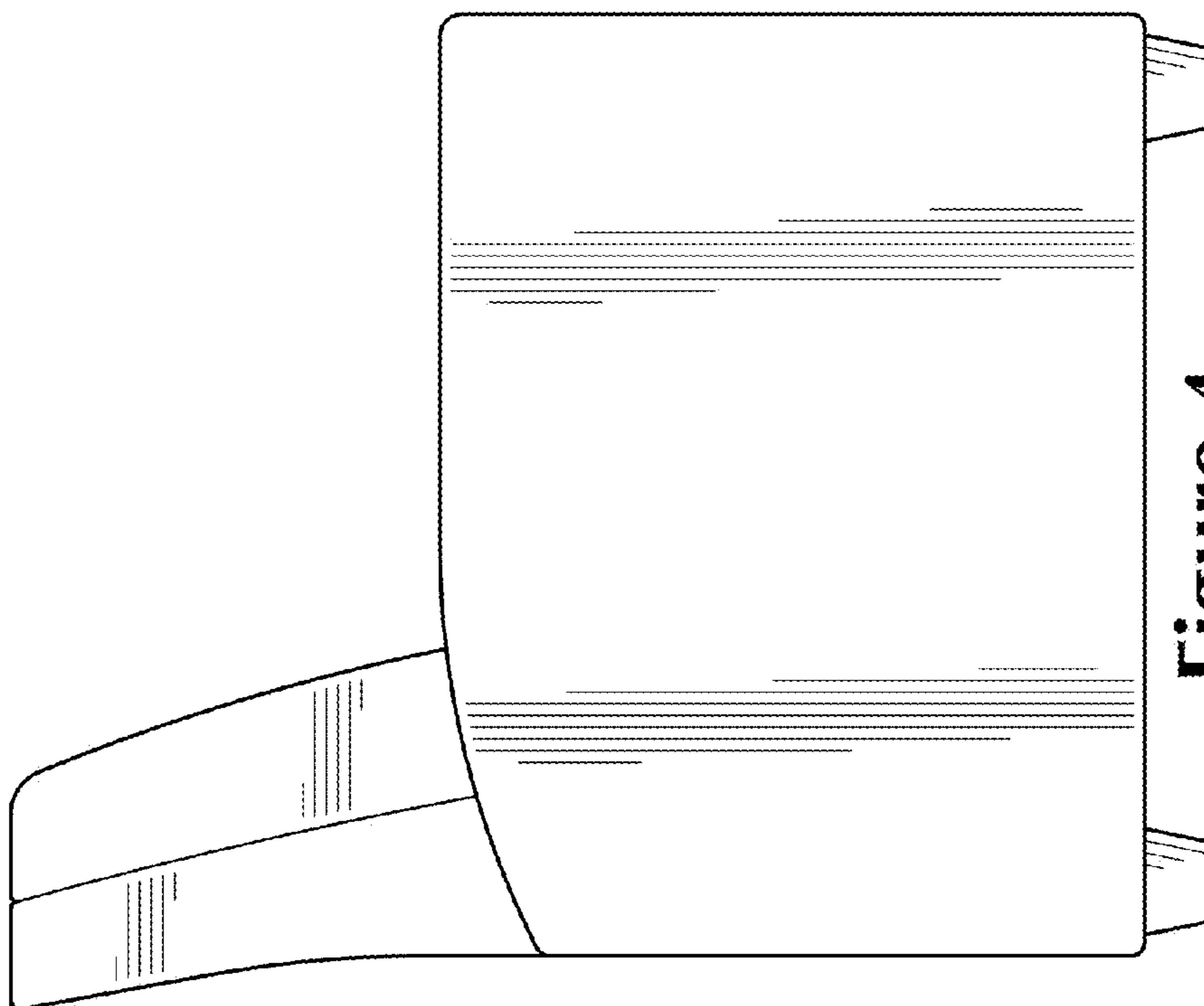


Figure 4

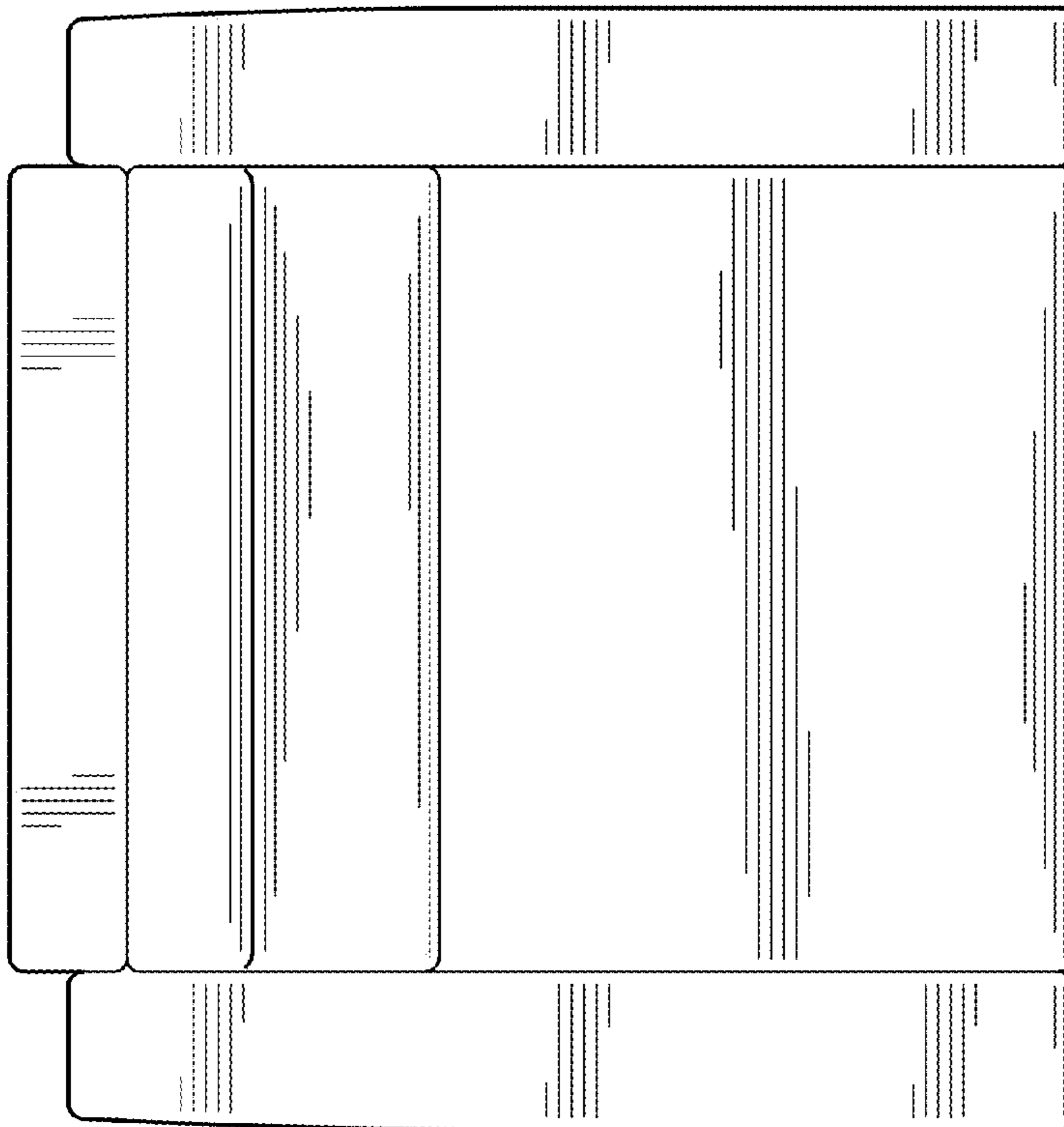


Figure 5