



US00D740568S

(12) **United States Design Patent**
Shafer et al.

(10) **Patent No.:** **US D740,568 S**
(45) **Date of Patent:** **** Oct. 13, 2015**

(54) **CLEANING DEVICE**

(71) Applicants: **Adam Robert-George Shafer**, Cincinnati, OH (US); **David William Schuller**, Lebanon, OH (US); **Igor Ivanovich Zemskov**, Dublin, OH (US); **Rainer Bernhard Teufel**, Worthington, OH (US); **Richard Lee Lane**, Columbus, OH (US); **Sun-Jan Alan Huang**, Pittsburgh, PA (US)

(72) Inventors: **Adam Robert-George Shafer**, Cincinnati, OH (US); **David William Schuller**, Lebanon, OH (US); **Igor Ivanovich Zemskov**, Dublin, OH (US); **Rainer Bernhard Teufel**, Worthington, OH (US); **Richard Lee Lane**, Columbus, OH (US); **Sun-Jan Alan Huang**, Pittsburgh, PA (US)

(73) Assignee: **The Procter & Gamble Company**, Cincinnati, OH (US)

(**) Term: **14 Years**

(21) Appl. No.: **29/519,024**

(22) Filed: **Mar. 2, 2015**

Related U.S. Application Data

(62) Division of application No. 29/424,663, filed on Jun. 14, 2012, now Pat. No. Des. 727,033.

(51) **LOC (10) Cl.** **04-01**

(52) **U.S. Cl.**
USPC **D4/114; D4/137; D32/45**

(58) **Field of Classification Search**
USPC D4/114, 116, 119, 120, 137; D8/45, D8/107; D28/63; D32/35, 40, 42, 45, 52; 15/114, 118, 209.1, 210.1; 401/16, 25, 401/27, 137-139, 187, 188 R, 190, 192, 401/205, 207
CPC A47L 1/06; A47L 1/08; A47L 1/13; A47L 1/15; A47L 13/00; A47L 13/10; A47L 13/12; A47L 13/16; A47L 13/17; A47L 13/26; A46B 11/0065

See application file for complete search history.

(56) **References Cited**

U.S. PATENT DOCUMENTS

1,565,608	A *	12/1925	Walsh, Jr.	401/206
2,859,463	A	11/1958	Hirsch	
3,135,990	A	6/1964	Bergmann et al.	
4,071,983	A	2/1978	Thielen	
4,510,641	A	4/1985	Morris	
D286,696	S	11/1986	Gatarz et al.	
D294,989	S	3/1988	Jinkins	
4,859,102	A	8/1989	Chamieh	
D456,575	S	4/2002	Celia et al.	
D531,003	S	10/2006	Collins	
D653,828	S	2/2012	Seehoff et al.	
D673,745	S	1/2013	Pung et al.	

(Continued)

Primary Examiner — Robin V. Webster

Assistant Examiner — Lavone D Tabor

(74) *Attorney, Agent, or Firm* — Larry L. Huston; Steven W. Miller

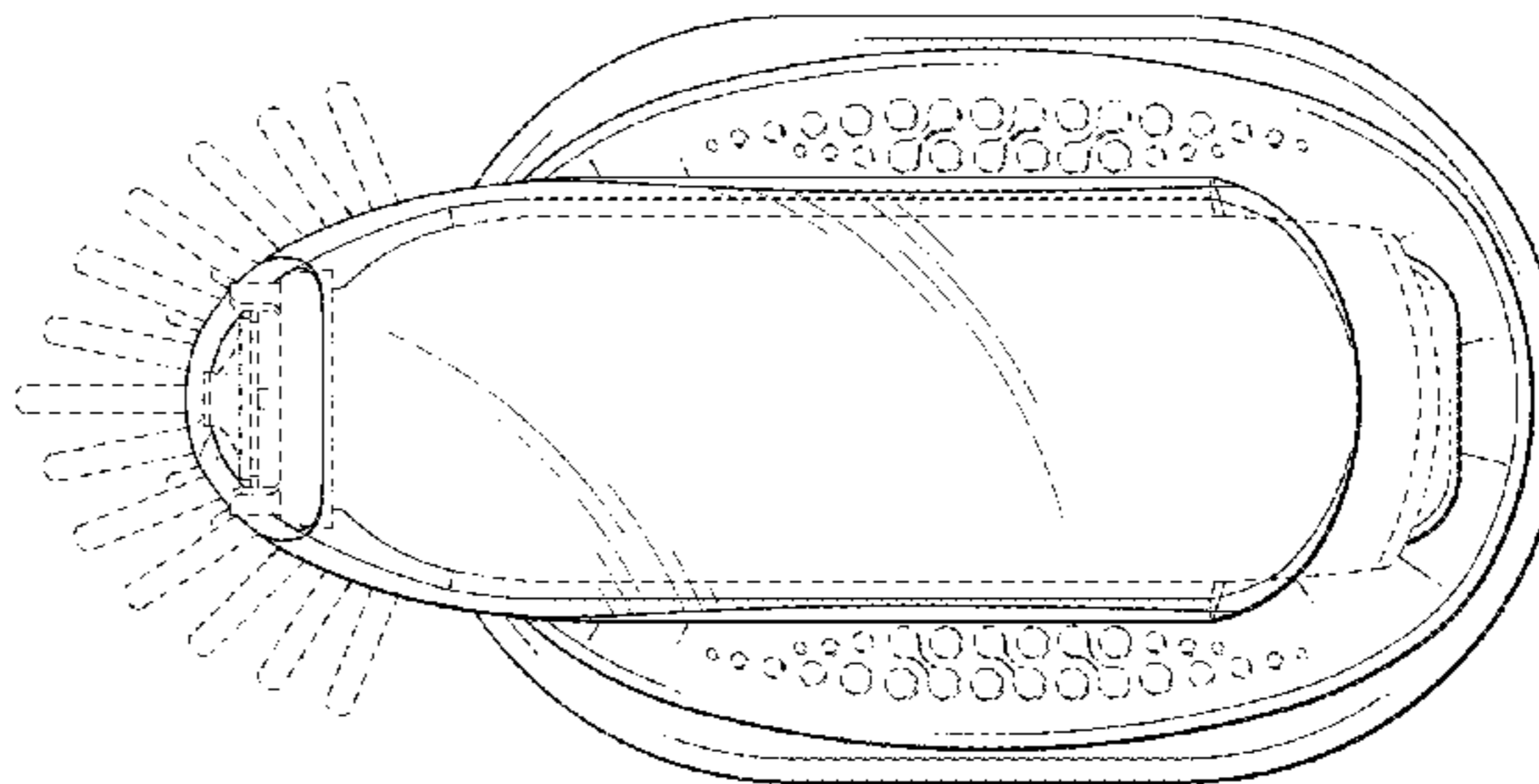
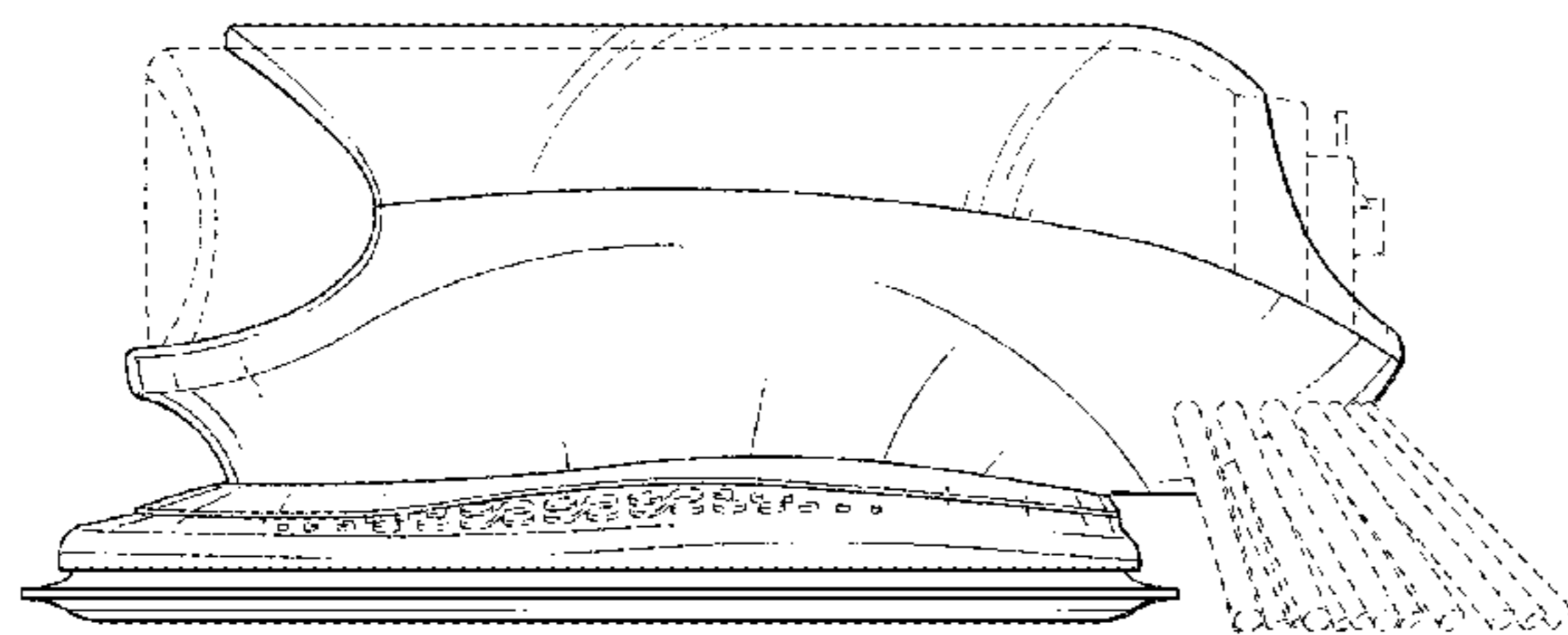
(57) **CLAIM**

The ornamental design for a cleaning device, as shown and described.

DESCRIPTION

FIG. 1 is a perspective view of an embodiment of a cleaning device;
FIG. 2 is a side view of the cleaning device of FIG. 1;
FIG. 3 is an opposite side view of the cleaning device of FIG. 1;
FIG. 4 is a top view of the cleaning device of FIG. 1;
FIG. 5 is a bottom view of the cleaning device of FIG. 1;
FIG. 6 is a front view of the cleaning device of FIG. 1; and,
FIG. 7 is a rear view of the cleaning device of FIG. 1.
The broken lines showing a container, bristles, and the series of raised features illustrate portions of the cleaning device that form no part of the claimed design.

1 Claim, 3 Drawing Sheets



US D740,568 S

Page 2

(56)

References Cited

U.S. PATENT DOCUMENTS

D673,746 S 1/2013 Pung et al.
D683,094 S 5/2013 Pung et al.

D692,631 S 10/2013 Pung et al.
8,627,986 B2 1/2014 Bradbury et al.
2011/0225756 A1 9/2011 Chapman et al.
2012/0301208 A1* 11/2012 Hughes et al. 401/137

* cited by examiner

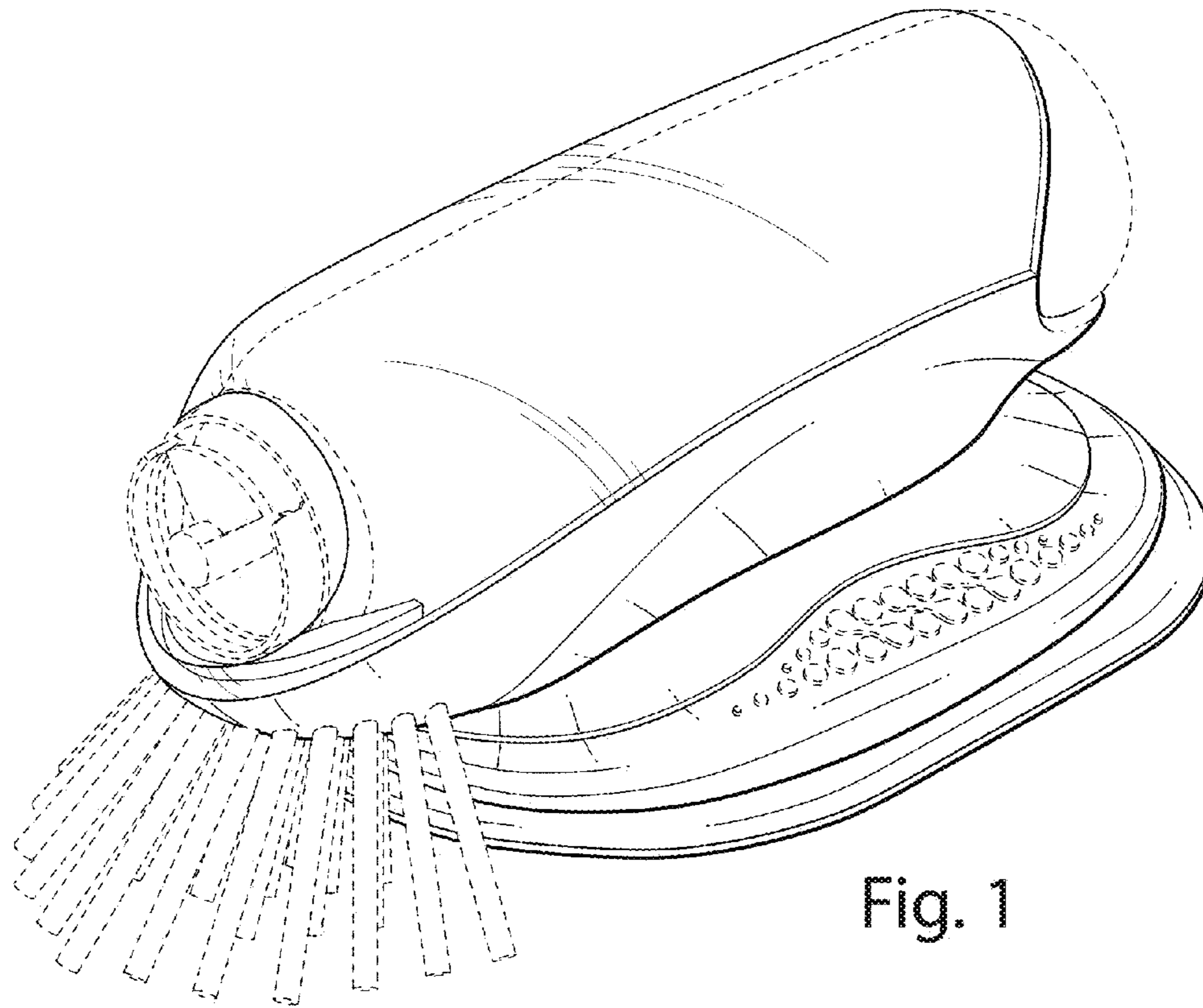


Fig. 1

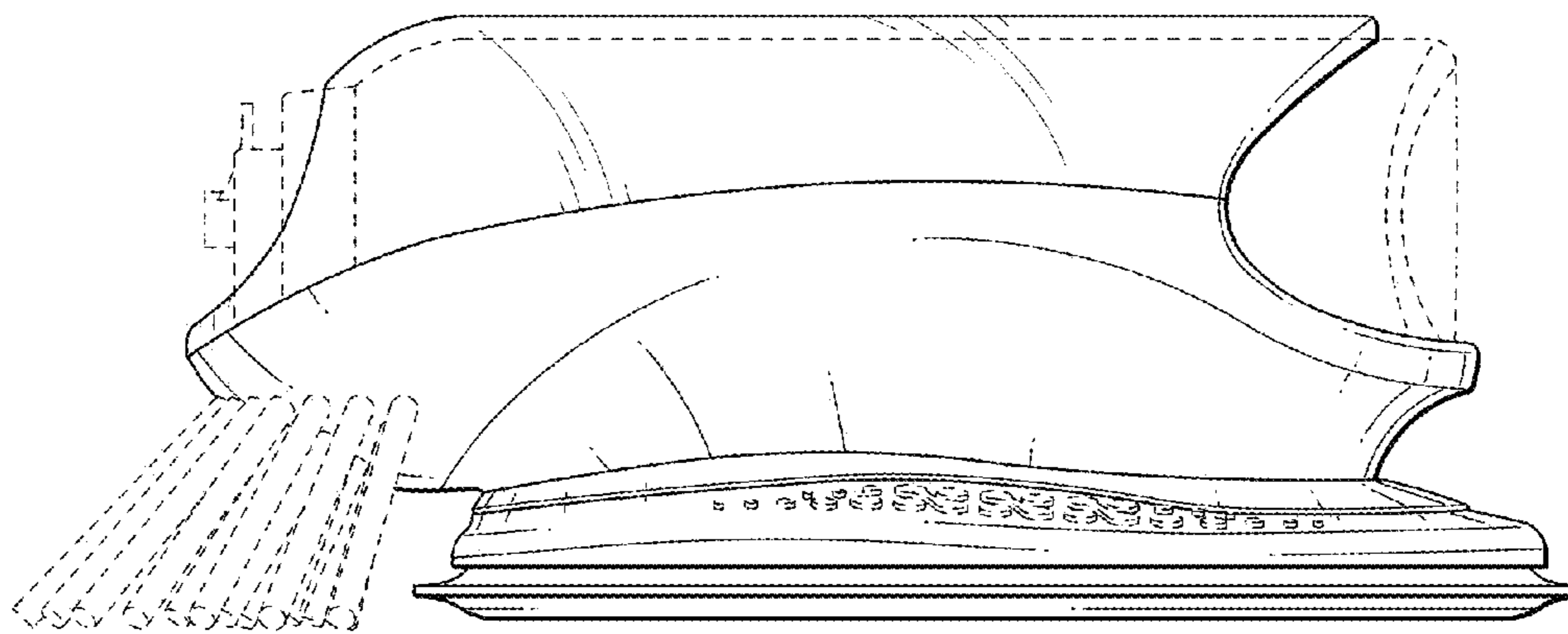


Fig. 2

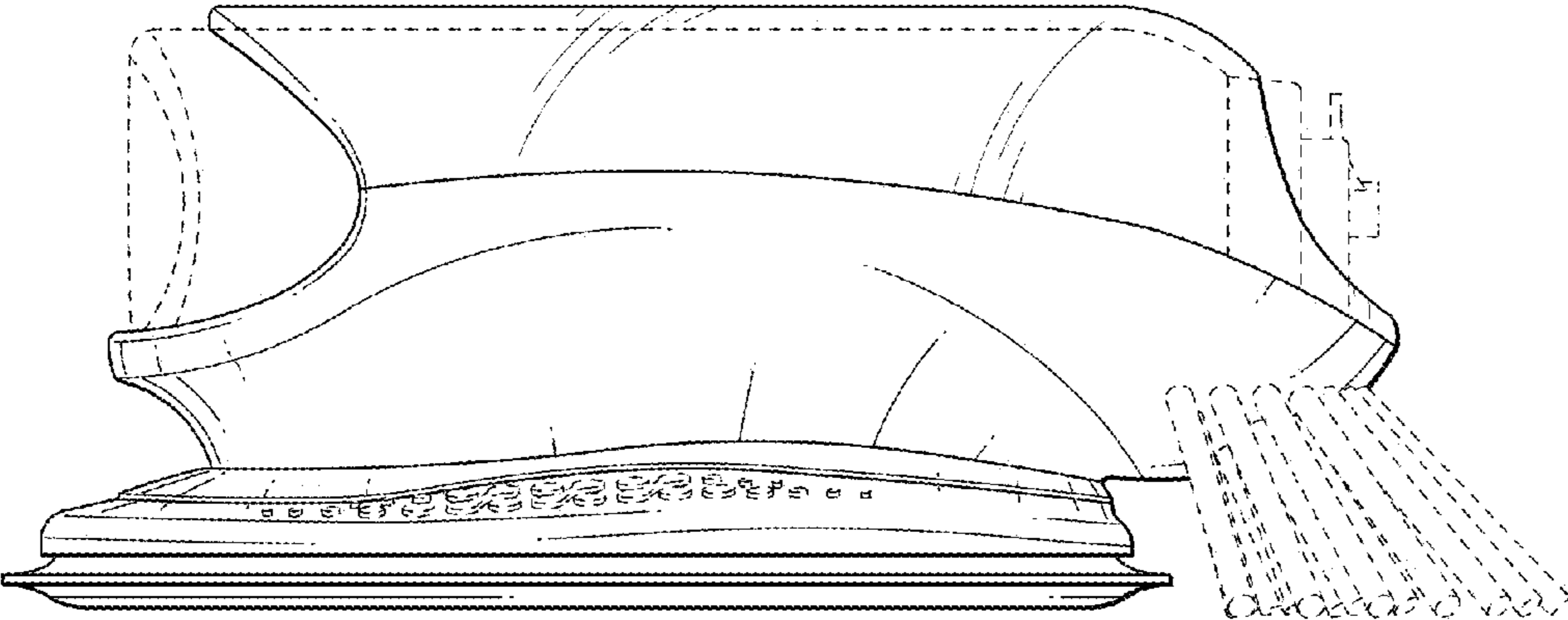


Fig. 3

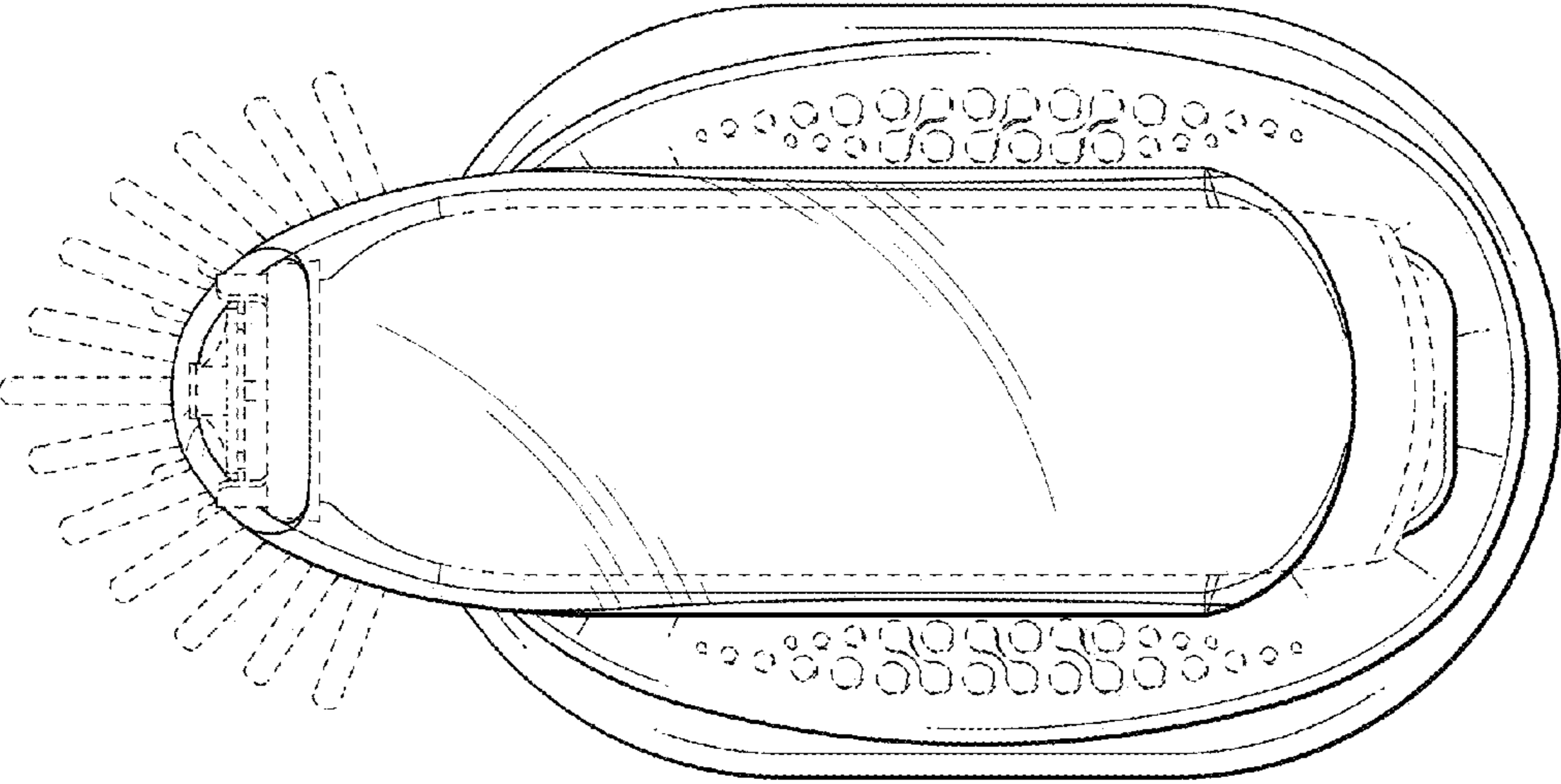


Fig. 4

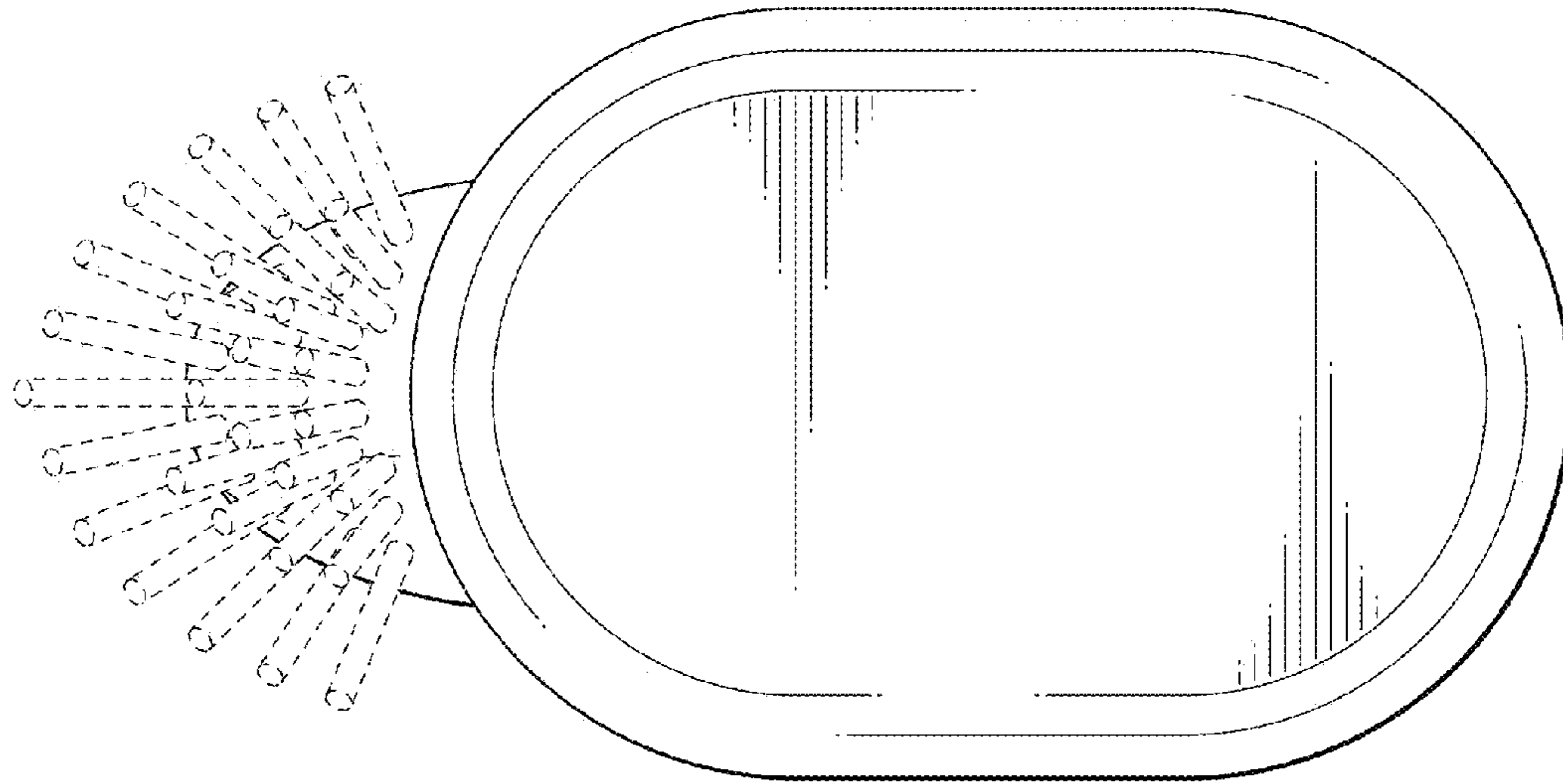


Fig. 5

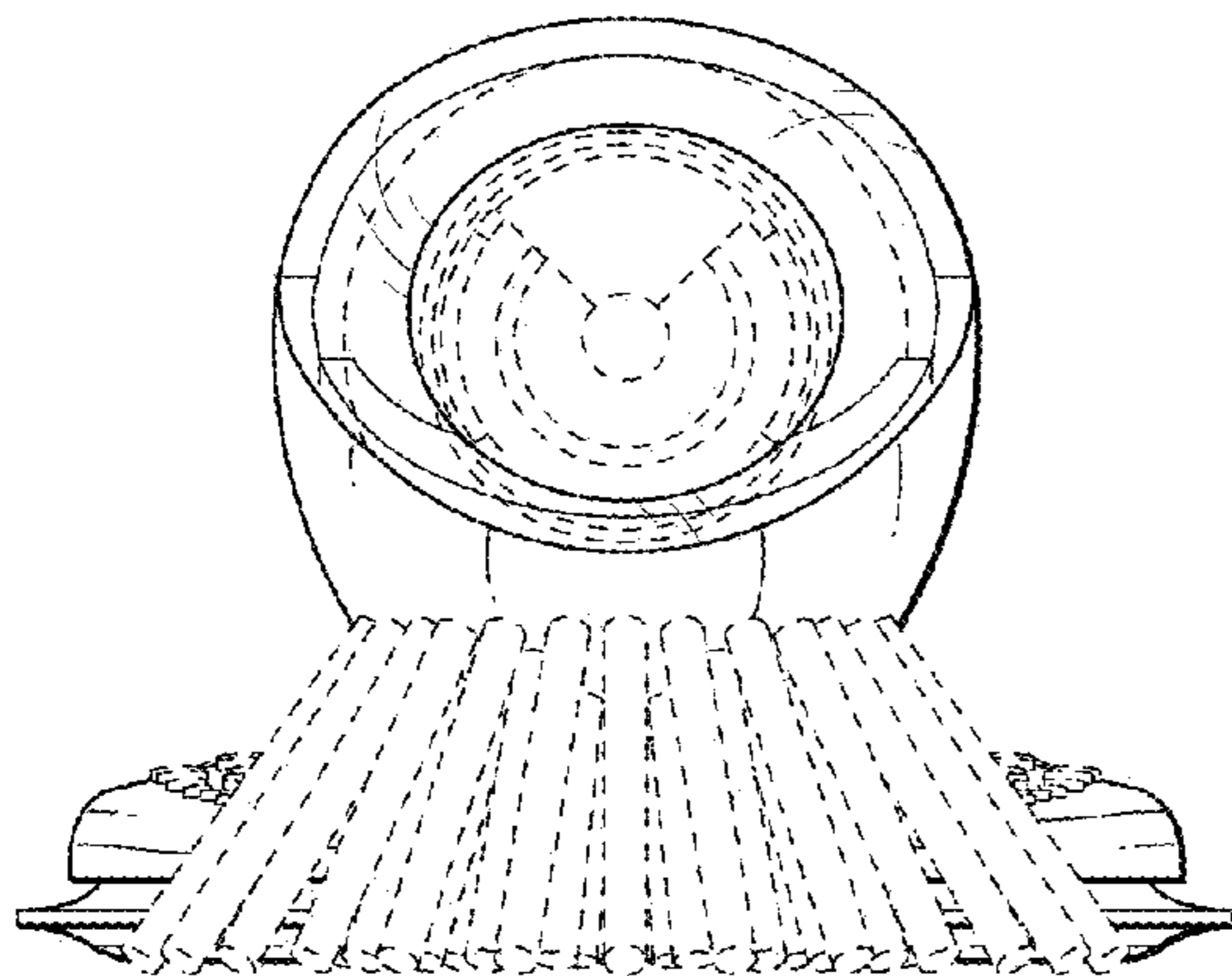


Fig. 6

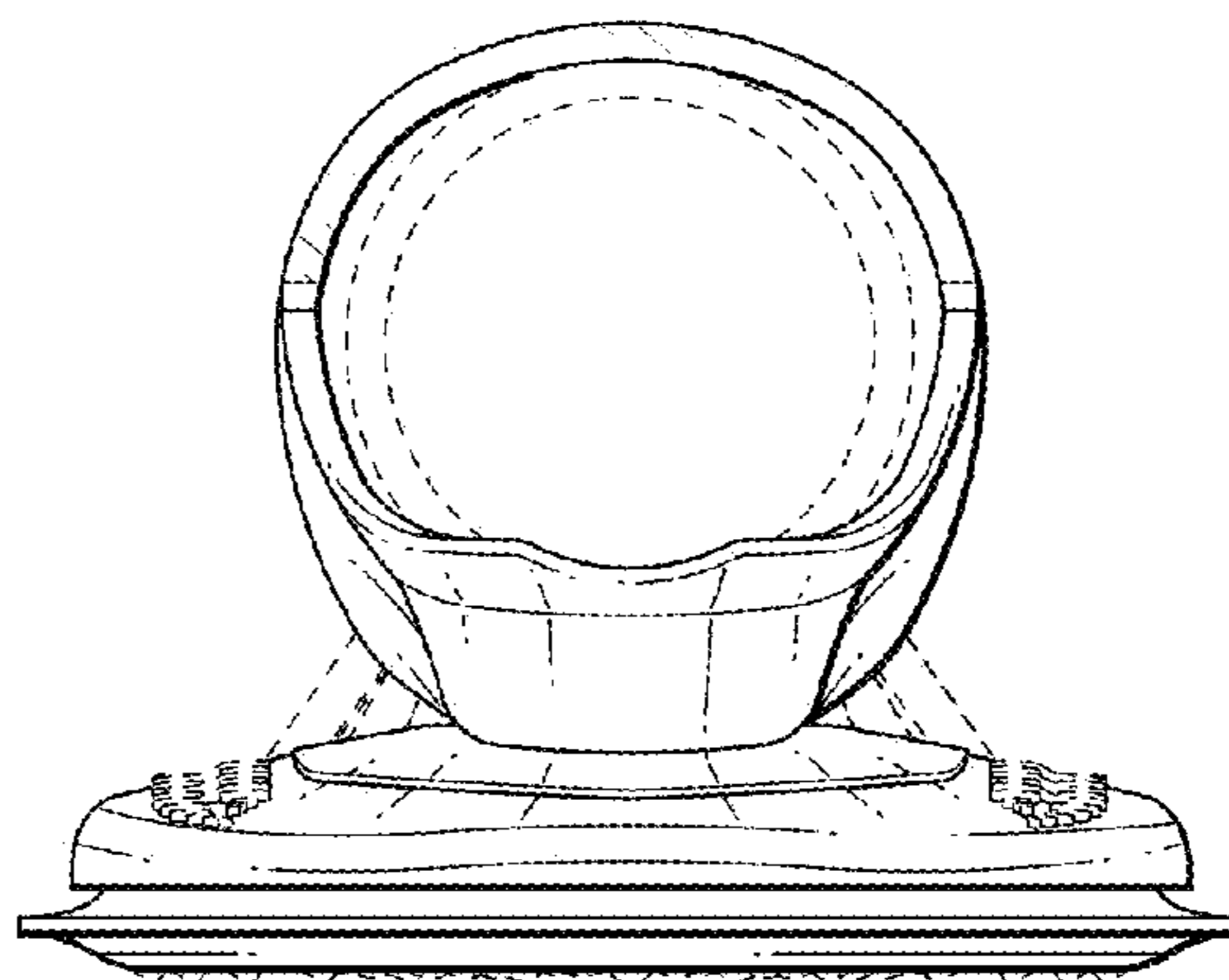


Fig. 7