



US00D740564S

(12) **United States Design Patent**
Scott

(10) **Patent No.:** **US D740,564 S**
(45) **Date of Patent:** **** Oct. 13, 2015**

(54) **BOX**
(71) Applicant: **William Mitchell Scott**, Villa Hills, KY
(US)
(72) Inventor: **William Mitchell Scott**, Villa Hills, KY
(US)

2,054,355 A 9/1936 Anderson, Jr.
2,076,065 A 4/1937 Kenneth
2,094,054 A 9/1937 Bixby
2,124,409 A 7/1938 Andrews
RE21,386 E 3/1940 Crawford

(Continued)

(**) Term: **14 Years**
(21) Appl. No.: **29/438,590**
(22) Filed: **Nov. 30, 2012**

FOREIGN PATENT DOCUMENTS

JP 52-171526 12/1977
JP 7-35313 6/1995

(Continued)

OTHER PUBLICATIONS

U.S. Appl. No. 29/448,659, filed Mar. 13, 2013, William M. Scott,
Box.

(Continued)

Related U.S. Application Data

(63) Continuation of application No. 29/419,603, filed on
Apr. 30, 2012, now Pat. No. Des. 673,368.

(51) **LOC (10) Cl.** **03-01**

(52) **U.S. Cl.**
USPC **D3/304**

(58) **Field of Classification Search**
USPC D9/414, 416, 418, 420-424, 430-434;
D3/272, 273, 302, 304; 206/267, 269,
206/270, 273, 299, 737, 740, 822; 229/100,
229/101, 101.3, 106, 108-122
CPC ... B65D 43/162; B65D 81/02; B65D 81/3813
See application file for complete search history.

Primary Examiner — Kelley Donnelly

(74) *Attorney, Agent, or Firm* — Patents on Demand P.A.;
Brian K. Buchheit; Scott M. Garrett

(57) **CLAIM**

I claim the ornamental design for a box, as shown and
described.

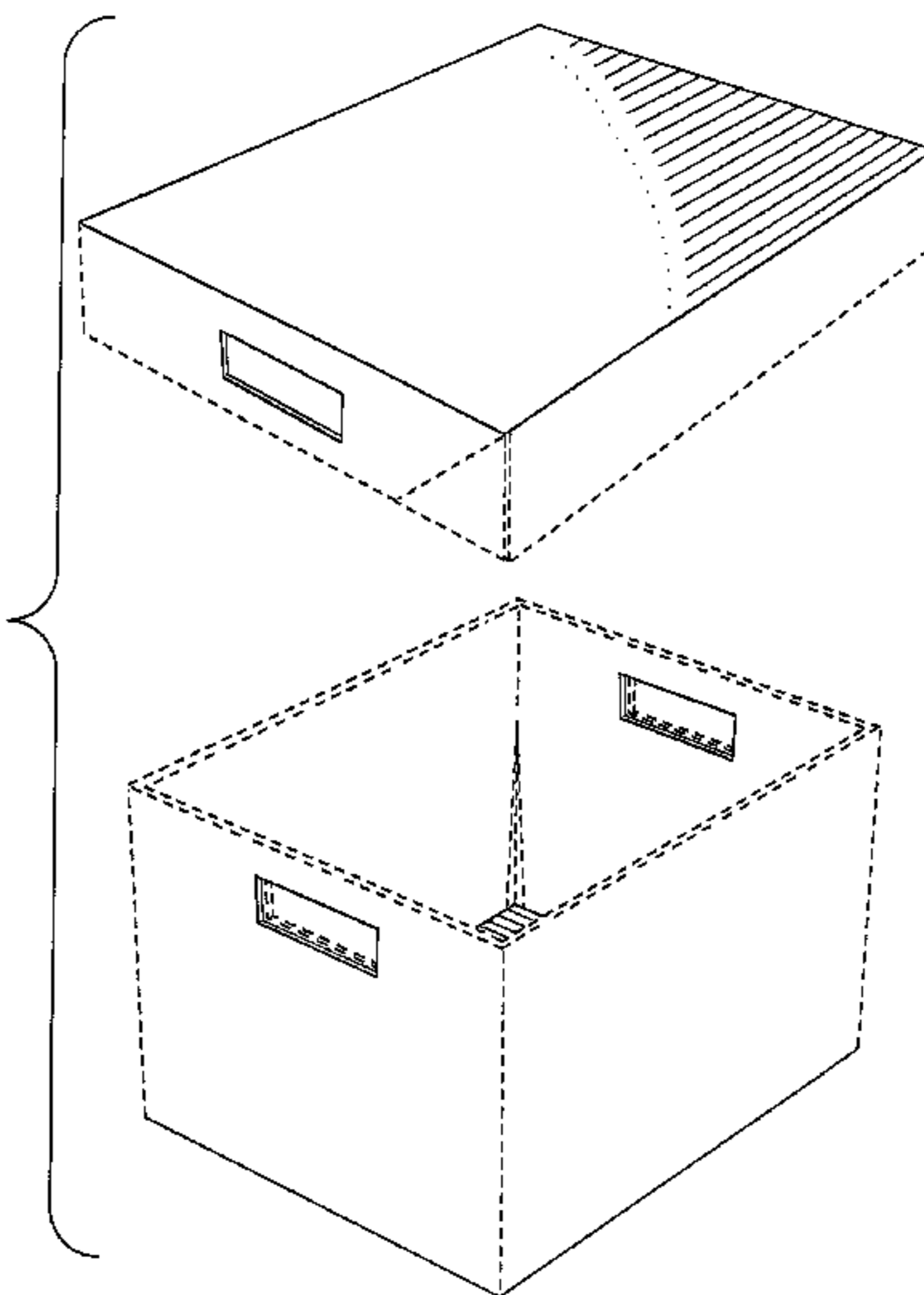
DESCRIPTION

FIG. 1 is an exploded perspective view of a first embodiment
of the new design;
FIG. 2 is a side view thereof;
FIG. 3 is a perspective view thereof;
FIG. 4 is a top view thereof;
FIG. 5 is an exploded perspective view of a second embodi-
ment of the new design;
FIG. 6 is a side view thereof; and,
FIG. 7 is a perspective view thereof.
The broken lines shown in the drawings are for illustrative
purposes only and form no part of the claimed design.

(56) **References Cited**
U.S. PATENT DOCUMENTS

238,117 A 2/1881 Hillman
600,879 A 3/1898 Louden
1,198,435 A 9/1916 Gebart
1,457,770 A 6/1923 Dodge
1,465,691 A 8/1923 Snedeker
1,623,547 A 4/1927 Neumann
1,865,688 A 7/1932 Hannaford
1,897,672 A 2/1933 Neumann
1,974,674 A 9/1934 Halladay et al.
2,019,371 A 10/1935 Tompkins

1 Claim, 7 Drawing Sheets



(56)

References Cited

U.S. PATENT DOCUMENTS

2,201,462 A	5/1940	Wells et al.	3,862,687 A	1/1975	Pirman
2,218,509 A	10/1940	Goodyear	3,910,483 A	10/1975	Ritter
2,249,265 A	7/1941	Bauder	3,952,940 A	4/1976	Malcolm
2,253,008 A	8/1941	Anderson, Jr.	D242,021 S	10/1976	Shanklin
2,289,619 A	7/1942	Anderson, Jr.	4,030,600 A	6/1977	Heaps
2,297,284 A	9/1942	Blackman	D244,994 S	7/1977	Flanagan
2,307,349 A	1/1943	Anderson, Jr.	4,037,777 A *	7/1977	Maughan 229/117.17
2,307,350 A	1/1943	Anderson, Jr.	4,082,215 A	4/1978	Eichenauer
2,330,294 A	9/1943	Leavitt et al.	4,101,052 A	7/1978	Dove
2,365,182 A	12/1944	Ferguson	4,114,300 A	9/1978	Holson
2,418,963 A	4/1947	Anderson, Jr.	4,127,228 A	11/1978	Hall
2,460,230 A	1/1949	Makrianes	4,142,665 A	3/1979	Jewell et al.
2,487,302 A	11/1949	Bradley	4,172,522 A	10/1979	Muller et al.
2,523,908 A	9/1950	Johnsen	4,199,832 A	4/1980	Glasscock et al.
2,537,801 A	1/1951	Swatsick	4,201,330 A	5/1980	Gilbert
2,544,283 A	3/1951	Snyder	4,228,904 A	10/1980	Dumond
2,559,552 A	7/1951	Welshenbach	4,230,261 A	10/1980	Austin
2,561,979 A	7/1951	George	4,265,391 A	5/1981	Zornes et al.
2,564,948 A	8/1951	Beck, Jr. et al.	4,285,150 A	8/1981	Richardson et al.
2,597,847 A	5/1952	Reeser	4,291,830 A	9/1981	Sorensen
2,604,255 A	7/1952	Welshenbach	D263,899 S	4/1982	Lynn
2,629,499 A	2/1953	Welshenbach	4,325,493 A	4/1982	Paige
2,634,038 A	4/1953	George et al.	4,339,069 A	7/1982	Poteet
2,645,353 A	7/1953	Anderson, Jr.	4,356,952 A	11/1982	Rekow
2,654,527 A	10/1953	Geckler et al.	4,359,183 A *	11/1982	Aida et al. 229/117.16
2,698,124 A	12/1954	Hines	4,380,290 A	4/1983	Luebke
2,760,715 A *	8/1956	Sicking 229/117.17	4,504,497 A	3/1985	Kurth et al.
2,769,550 A	11/1956	Rollins et al.	4,531,667 A	7/1985	Meade
2,788,933 A	4/1957	Kessler	4,542,832 A	9/1985	Minick et al.
2,822,973 A	2/1958	Armstrong et al.	4,588,077 A	5/1986	Champlin et al.
2,827,222 A	3/1958	Buttery	4,617,702 A	10/1986	Diederich, Jr.
D186,672 S	11/1959	Gilruth	4,655,366 A	4/1987	Sykes
2,925,210 A	2/1960	Fallert	4,717,023 A	1/1988	Oprean
2,981,455 A	4/1961	Cope	D297,214 S	8/1988	Forbes, Jr.
3,002,650 A	10/1961	Lovell	4,768,704 A	9/1988	Beckway et al.
3,005,717 A	10/1961	Pilibos	4,817,861 A	4/1989	Henrikson
3,049,279 A	8/1962	Mairs et al.	4,830,268 A	5/1989	Pitts
3,107,041 A	10/1963	Wagner, Jr.	4,838,436 A	6/1989	Bailey
3,114,493 A	12/1963	Dunkin	4,905,834 A	3/1990	Mur Gimeno et al.
3,118,588 A	1/1964	Noble	4,927,074 A	5/1990	LaRue et al.
3,138,283 A	6/1964	Peebles	4,948,033 A	8/1990	Halsell, II et al.
3,155,235 A	11/1964	Maich	4,961,497 A	10/1990	Sherer et al.
D200,699 S	3/1965	Pappas	D312,402 S	11/1990	Boggus, Jr.
3,175,750 A	3/1965	Bump	D312,531 S	12/1990	Sherer et al.
3,186,586 A	6/1965	Box	D315,098 S	3/1991	Hutcheson
3,195,798 A	7/1965	Wilson	5,011,071 A	4/1991	Lopez
3,206,098 A	9/1965	Stenger	5,016,814 A	5/1991	Fullerton
3,270,946 A	9/1966	Redpath	5,042,657 A	8/1991	Dunn
D206,304 S	11/1966	Pinzke	5,042,684 A *	8/1991	West et al. 206/386
3,282,462 A	11/1966	Box	5,042,715 A	8/1991	McNeill
3,301,386 A	1/1967	Carter	5,064,069 A	11/1991	Su
3,301,461 A	1/1967	Kroeschell	5,076,491 A	12/1991	Freudentahl et al.
3,314,532 A	4/1967	Henry	D326,341 S	5/1992	Frauhiger
3,366,496 A	1/1968	Bomar et al.	5,111,957 A	5/1992	Hollander et al.
3,379,341 A	4/1968	Miles	5,119,950 A	6/1992	Takemura
3,391,698 A	7/1968	Wiles	5,148,942 A	9/1992	Snook
3,392,904 A	7/1968	Wei	5,148,973 A	9/1992	Zimmerman
3,396,898 A	8/1968	Dorfmann	5,156,328 A	10/1992	Wozniacki
3,438,562 A	4/1969	Connor et al.	5,295,632 A	3/1994	Zink et al.
3,568,918 A	3/1971	Blomqvist	5,322,167 A	6/1994	Birutis et al.
3,622,036 A	11/1971	Bongaerts	D348,390 S	7/1994	Van Ness
3,664,494 A	5/1972	Mergens	5,333,777 A	8/1994	Roth
3,667,666 A	6/1972	Pryor	5,335,844 A	8/1994	Young
3,670,949 A	6/1972	Galanes	5,402,932 A	4/1995	Fadaie
3,684,159 A	8/1972	Wolfe	5,411,145 A	5/1995	Parks
3,692,231 A	9/1972	Neitzke et al.	5,429,295 A	7/1995	Levy
3,698,625 A	10/1972	Graser	D361,892 S	9/1995	Quaintance
3,713,579 A	1/1973	Chaffers	5,494,161 A	2/1996	Herbst
3,724,920 A	4/1973	Beck	5,503,324 A	4/1996	Bacchetti et al.
3,727,827 A	4/1973	Stice	5,505,371 A	4/1996	O'Neill
3,788,538 A *	1/1974	Kuenzi 229/117.17	D372,673 S	8/1996	Turner
3,797,731 A	3/1974	Weldon	5,579,917 A	12/1996	Lofgren et al.
3,831,834 A	8/1974	Elward	D383,064 S *	9/1997	Tsukikawa D9/432
3,844,473 A	10/1974	Whelan	D383,641 S *	9/1997	Maton D7/354
3,860,113 A	1/1975	Helms	5,699,959 A	12/1997	Huspeka et al.
			D391,079 S	2/1998	Conti et al.
			D394,950 S	6/1998	Kite
			5,765,695 A	6/1998	Picciallo
			5,779,129 A	7/1998	Herbst et al.

(56)

References Cited

U.S. PATENT DOCUMENTS

5,794,780 A	8/1998	Parrella et al.	D549,575 S	8/2007	Pinkstone
D398,228 S	9/1998	Herbst et al.	D551,860 S	10/2007	Northrop
D398,230 S	9/1998	Herbst et al.	D558,047 S	12/2007	Pinkstone
5,803,347 A *	9/1998	Sainz et al. 229/117.16	7,331,451 B2	2/2008	Focke et al.
D399,366 S	10/1998	Stravitz	D564,133 S *	3/2008	Boye et al. D28/83
5,884,783 A	3/1999	Proulx	D569,105 S	5/2008	Van Hoorn
5,887,782 A	3/1999	Mueller	D570,684 S	6/2008	Kisch
5,890,650 A	4/1999	Penson	7,387,350 B2	6/2008	Killinger et al.
5,908,152 A	6/1999	Tullis	D575,452 S	8/2008	Jones et al.
D419,302 S	1/2000	Hardy et al.	7,410,094 B2	8/2008	Bos
D420,704 S	2/2000	Coe	7,438,198 B2	10/2008	Pickles
D421,183 S	2/2000	Koskinen	D581,782 S	12/2008	Kisch
6,036,042 A	3/2000	Pietruch et al.	D583,660 S	12/2008	Steiger et al.
D422,499 S	4/2000	Herbst et al.	D587,996 S	3/2009	Steiger et al.
D423,587 S	4/2000	Conley et al.	D599,202 S	9/2009	Whiteside
D424,117 S	5/2000	Steinbeck et al.	7,611,020 B2	11/2009	Prest
D425,128 S	5/2000	Conley et al.	D606,855 S *	12/2009	Jo et al. D9/423
D425,562 S	5/2000	Conley et al.	D610,000 S	2/2010	Schantz
6,059,180 A	5/2000	Collins	7,654,408 B2	2/2010	Bazany
6,070,719 A	6/2000	Pollock	D610,904 S	3/2010	Russell et al.
6,123,254 A	9/2000	Dupuis	D613,899 S	4/2010	Whittier et al.
6,135,347 A	10/2000	Mueller	D614,484 S	4/2010	Schantz
D434,223 S	11/2000	Dombrowski	D615,775 S	5/2010	Fairbanks
6,149,052 A	11/2000	Mueller	D617,185 S	6/2010	Wager
6,164,461 A	12/2000	Ward et al.	7,726,552 B2	6/2010	Chadima
D436,728 S	1/2001	Harding	D622,140 S	8/2010	Elhalwani
D441,653 S	5/2001	LeRoux	D627,562 S	11/2010	Osiecki et al.
D442,780 S	5/2001	Hiernard	D629,163 S	12/2010	Sullivan
6,237,840 B1	5/2001	Grabowski et al.	D633,296 S	3/2011	Potts et al.
6,290,124 B2	9/2001	Andrews, Sr. et al.	D639,065 S *	6/2011	Duvigneau D3/302
D448,567 S	10/2001	Buss	D641,620 S	7/2011	Hammond et al.
D448,568 S	10/2001	Sadr	D643,302 S	8/2011	Stone
6,311,891 B1	11/2001	Gardner	D650,584 S *	12/2011	Kim D3/289
D451,675 S	12/2001	Hardy et al.	D651,076 S	12/2011	Van Berlo
D453,275 S	2/2002	Stravitz	8,079,474 B1	12/2011	Flaming
6,352,157 B1	3/2002	Srinivasan	D657,562 S	4/2012	McNamara
D461,120 S	8/2002	Ostro	D657,748 S	4/2012	Hargreaves et al.
6,439,452 B1	8/2002	Tsao	8,152,050 B2	4/2012	Busam et al.
6,491,211 B1 *	12/2002	Evans et al. 229/102	D658,407 S	5/2012	Pung et al.
6,499,781 B1	12/2002	Flynn	D661,096 S	6/2012	Dretzka
D468,638 S	1/2003	Nogami et al.	D662,133 S	6/2012	Smith et al.
6,527,167 B1	3/2003	Sheffer	D664,312 S *	7/2012	Bizzle D30/161
D477,217 S	7/2003	Riedi	8,220,701 B2	7/2012	Fontaine et al.
6,604,675 B2	8/2003	Southwell	D665,846 S	8/2012	Chuang
6,619,540 B1	9/2003	Bazany	8,251,276 B2	8/2012	McLeod
D480,273 S	10/2003	Cordwell	D666,830 S	9/2012	Glenn
6,641,032 B1	11/2003	Schilling	D671,321 S	11/2012	Scott
6,669,080 B2	12/2003	Ong	D671,322 S	11/2012	Scott
D485,466 S	1/2004	Haruhiro	D671,323 S	11/2012	Scott
6,705,515 B2	3/2004	Dowd	D673,368 S	1/2013	Scott
6,708,874 B1	3/2004	Montgomery	D675,443 S	2/2013	Scott
6,719,191 B1	4/2004	Christensen et al.	D678,058 S	3/2013	Vanden Boom et al.
D494,759 S	8/2004	Louie et al.	D679,094 S	4/2013	Scott
D495,490 S	9/2004	Garrett et al.	D680,427 S	4/2013	MaCaulay et al.
6,830,156 B2	12/2004	MacKelvie	D680,428 S	4/2013	Vanden Boom et al.
D503,614 S	4/2005	Sax et al.	D681,331 S	5/2013	Scott
D505,518 S *	5/2005	Benjamin et al. D28/83	D681,953 S	5/2013	Scott
6,889,893 B2	5/2005	Kent	D685,264 S	7/2013	Lal et al.
D507,404 S	7/2005	Moon et al.	D685,629 S *	7/2013	McAdam D9/420
D508,042 S	8/2005	Oikawa	D685,634 S	7/2013	Scott
D510,521 S	10/2005	Lebras	D685,649 S	7/2013	Banuelos
D510,823 S	10/2005	Ng et al.	D688,420 S *	8/2013	Lai D28/83
D518,526 S	4/2006	Benn	D690,105 S	9/2013	Scott
D518,708 S	4/2006	Ohayon	D690,106 S	9/2013	Scott
D518,957 S *	4/2006	DeCarlo et al. D3/302	D690,107 S	9/2013	Scott
D526,357 S	8/2006	Killinger et al.	D690,126 S	9/2013	Ogawa
D526,893 S	8/2006	Nixon	D698,152 S	1/2014	Scott
D527,424 S	8/2006	Long	8,955,677 B2 *	2/2015	Ladler-Dennis 206/232
D536,964 S	2/2007	Smith et al.	D724,940 S *	3/2015	Kim et al. D9/423
D539,036 S	3/2007	Potts et al.	D726,533 S *	4/2015	Northrup D9/434
D542,033 S	5/2007	Kopenhaver et al.	D726,819 S *	4/2015	Botha et al. D19/75
7,210,614 B2	5/2007	Mazurek	8,997,442 B2 *	4/2015	Wadsworth et al. 53/456
D548,072 S	8/2007	Nixon	9,010,565 B2 *	4/2015	Warner 220/592.03
D548,782 S	8/2007	Nash	D729,183 S *	5/2015	Zou D14/125
D549,096 S	8/2007	Ayats et al.	2001/0052477 A1	12/2001	McNeill
			2002/0125308 A1	9/2002	McLeod
			2003/0168502 A1	9/2003	Kisch
			2003/0183679 A1	10/2003	Ong
			2005/0029260 A1	2/2005	Sheng-Bin

(56)

References Cited

U.S. PATENT DOCUMENTS

2005/0241971	A1	11/2005	Zou et al.
2005/0284906	A1	12/2005	Potts et al.
2006/0022026	A1	2/2006	Yandian et al.
2006/0054669	A1	3/2006	Hsieh
2006/0243784	A1	11/2006	Glaser et al.
2006/0266807	A1	11/2006	Shook
2007/0051787	A1	3/2007	Schille et al.
2007/0272630	A1	11/2007	DeLuca
2008/0054059	A1	3/2008	Chadima
2008/0093233	A1	4/2008	Jones et al.
2008/0173703	A1	7/2008	Westerman et al.
2009/0020444	A1	1/2009	Green
2009/0282843	A1	11/2009	Brand
2010/0314268	A1	12/2010	Goodman

FOREIGN PATENT DOCUMENTS

JP	10-152125	6/1998
JP	2001-1294231 A	10/2001
JP	2003-026157	1/2003
JP	2004-526633	9/2004
JP	2006-021808	1/2006
JP	2009-029481	2/2009
WO	WO 99/25621	5/1999

OTHER PUBLICATIONS

U.S. Appl. No. 29/448,535, filed Mar. 13, 2013, William M. Scott, Box.

U.S. Appl. No. 29/448,429, filed Mar. 13, 2013, William M. Scott, Box.

U.S. Appl. No. 29/449,577, filed Mar. 15, 2013, William M. Scott, Cable Tie.

U.S. Appl. No. 13/837,387, filed Mar. 15, 2013, William M. Scott, Corrugated Container Box And Blank.

U.S. Appl. No. 13/835,159, filed Mar. 15, 2013, William M. Scott, Cable Ties.

Acrylic Desktop File Holder; http://www.alibaba.com/product-gs/541368370/acrylic_desktop_file_holder.html; Copyright © 1999-2012 Alibaba.com Hong Kong Limited and licensors; printed Oct. 24, 2012; p. 1-3.

Acrylic Magazine Holder (m Shape); http://www.alibaba.com/product-gs/274660307/Acrylic_magazine_holder_M_shape.html; Copyright © 1999-2012 Alibaba.com Hong Kong Limited and licensors; printed Oct. 24, 2012; p. 1-2.

Zigzag Acrylic Literature http://www.alibaba.com/product-gs/294904097/zigzag_acrylic_literature_magazine_holder_acrylic.html; Copyright © 1999-2012 Alibaba.com Hong Kong Limited and licensors; printed Oct. 24, 2012; p. 1-3.

Kantek Acrylic Mini Sorter—KTKAD50; <http://www.discountofficeitems.com/office-supplies/desk-organizers/desk-organizers-holders/desktop-file-sorter/kantek-acrylic-mini-sorter/p14879.html>; Cart Reference # DGL1647F; Copyright © 2012 DiscountOfficeItems.com; printed Oct. 24, 2012; p. 1-3.

Lebon, Hilary (Social Media Pro/Consultant) Marketing Idea For The Day—Corrugated Plastic Totes; <http://www.mdi.org/index.php/marketing-idea-for-the-day-corrugated-plastic-totes/>; Jun. 28, 2011; Copyright © 2010 MDI; p. 1-3.

PCT Search Report and Written Opinion for Corresponding PCT Application No. PCT/US2012/036980; mailed Dec. 3, 2012; pp. 1-9.

PCT Search Report and Written Opinion for Corresponding PCT Application No. PCT/US2012/037402; mailed Feb. 14, 2013; pp. 1-15.

Photo 1 of United States Postal Service bin; published prior to Apr. 28, 2012.

Photo 2 of United States Postal Service bins; published prior to Apr. 28, 2012.

Screen Shot of No. 1555 tote and 1560 tote; published prior to Apr. 28, 2012.

U.S. Appl. No. 13/441,434, filed Apr. 6, 2012, William M. Scott, Container With Grips.

U.S. Appl. No. 13/448,349, filed Apr. 16, 2012, William M. Scott, Strengthening Insert For A Corrugated Box.

U.S. Appl. No. 29/391,489, filed May 9, 2011, William M. Scott, Novel Box.

U.S. Appl. No. 29/391,490, filed May 10, 2011, William M. Scott, Novel Box & Private Label.

U.S. Appl. No. 29/444,761, filed Feb. 4, 2013, William M. Scott, Box.

U.S. Appl. No. 29/391,492, filed May 10, 2011, William M. Scott, Box.

U.S. Appl. No. 29/445,333, filed Feb. 11, 2013, William M. Scott, Box.

U.S. Appl. No. 29/419,400, filed Apr. 27, 2012, William M. Scott, Box With Locking Ports.

U.S. Appl. No. 29/438,590, filed Nov. 30, 2012, William M. Scott, Box.

U.S. Appl. No. 29/438,066, filed Nov. 26, 2012, William M. Scott, Carrying Tote.

U.S. Appl. No. 29/438,072, filed Nov. 26, 2012, William M. Scott, Carrying Tote.

U.S. Appl. No. 29/438,077, filed Nov. 26, 2012, William M. Scott, Carrying Tote.

U.S. Appl. No. 29/431,415, filed Sep. 7, 2012, William M. Scott, Box.

U.S. Appl. No. 29/431,416, filed Sep. 7, 2012, William M. Scott, Box.

U.S. Appl. No. 29/431,417, filed Sep. 7, 2012, William M. Scott, Box.

U.S. Appl. No. 13/606,059, filed Sep. 7, 2012, William M. Scott, Shipping Container With Grips And Locking Ports.

U.S. Appl. No. 29/431,504, filed Sep. 7, 2012, William M. Scott, Box.

U.S. Appl. No. 29/431,507, filed Sep. 7, 2012, William M. Scott, Box.

U.S. Appl. No. 13/673,246, filed Nov. 9, 2012, William M. Scott, Document Holding Device.

U.S. Appl. No. 29/436,876, filed Nov. 9, 2012, William M. Scott, Document Partition.

U.S. Appl. No. 29/436,882, filed Nov. 9, 2012, William M. Scott, Shaped Document Partition.

U.S. Appl. No. 13/441,434, filed Apr. 6, 2012, William A. Scott, Container With Grips.

U.S. Appl. No. 13/448,349, filed Apr. 16, 2012, William M. Scott, Strengthening Insert For A Corrugated Box.

U.S. Appl. No. 29/448,659, filed Mar. 13, 2013, William M. Scott, Box.

U.S. Appl. No. 29/448,535, filed Mar. 13, 2013, William M. Scott, Box.

U.S. Appl. No. 29/444,761, filed Feb. 4, 2013, William M. Scott, Box.

U.S. Appl. No. 29/445,333, filed Feb. 11, 2013, William M. Scott, Box.

U.S. Appl. No. 29/456,352, filed May 30, 2013, William M. Scott, Box.

U.S. Appl. No. 29/438,590, filed Nov. 30, 2012, William M. Scott, Box.

U.S. Appl. No. 29/449,577, filed Mar. 15, 2013, William M. Scott, Cable Tie.

U.S. Appl. No. 14/075,324, filed Nov. 8, 2013, William M. Scott, Container Having Concealed Information Zones.

U.S. Appl. No. 13/896,859, filed May 17, 2013, William M. Scott, Picture Box And Container.

U.S. Appl. No. 29/431,415, filed Sep. 7, 2012, William M. Scott, Box.

U.S. Appl. No. 29/431,416, filed Sep. 7, 2012, William M. Scott, Box.

U.S. Appl. No. 29/431,417, filed Sep. 7, 2012, William M. Scott, Box.

U.S. Appl. No. 13/606,059, filed Sep. 7, 2012, William M. Scott, Shipping Container With Grips And Locking Ports.

U.S. Appl. No. 13/837,387, filed Mar. 15, 2013, William M. Scott, Corrugated Container Box And Blank.

U.S. Appl. No. 29/431,504, filed Sep. 7, 2012, William M. Scott, Box.

U.S. Appl. No. 29/431,507, filed Sep. 7, 2012, William M. Scott, Box.

U.S. Appl. No. 13/673,246, filed Nov. 9, 2012, William M. Scott, Document Holding Device.

U.S. Appl. No. 29/436,876, filed Nov. 9, 2012, William M. Scott, Document Partition.

U.S. Appl. No. 29/436,882, filed Nov. 9, 2012, William M. Scott, Shaped Document Partition.

U.S. Appl. No. 13/835,159, filed Mar. 15, 2013, William M. Scott, Cable Ties.

* cited by examiner

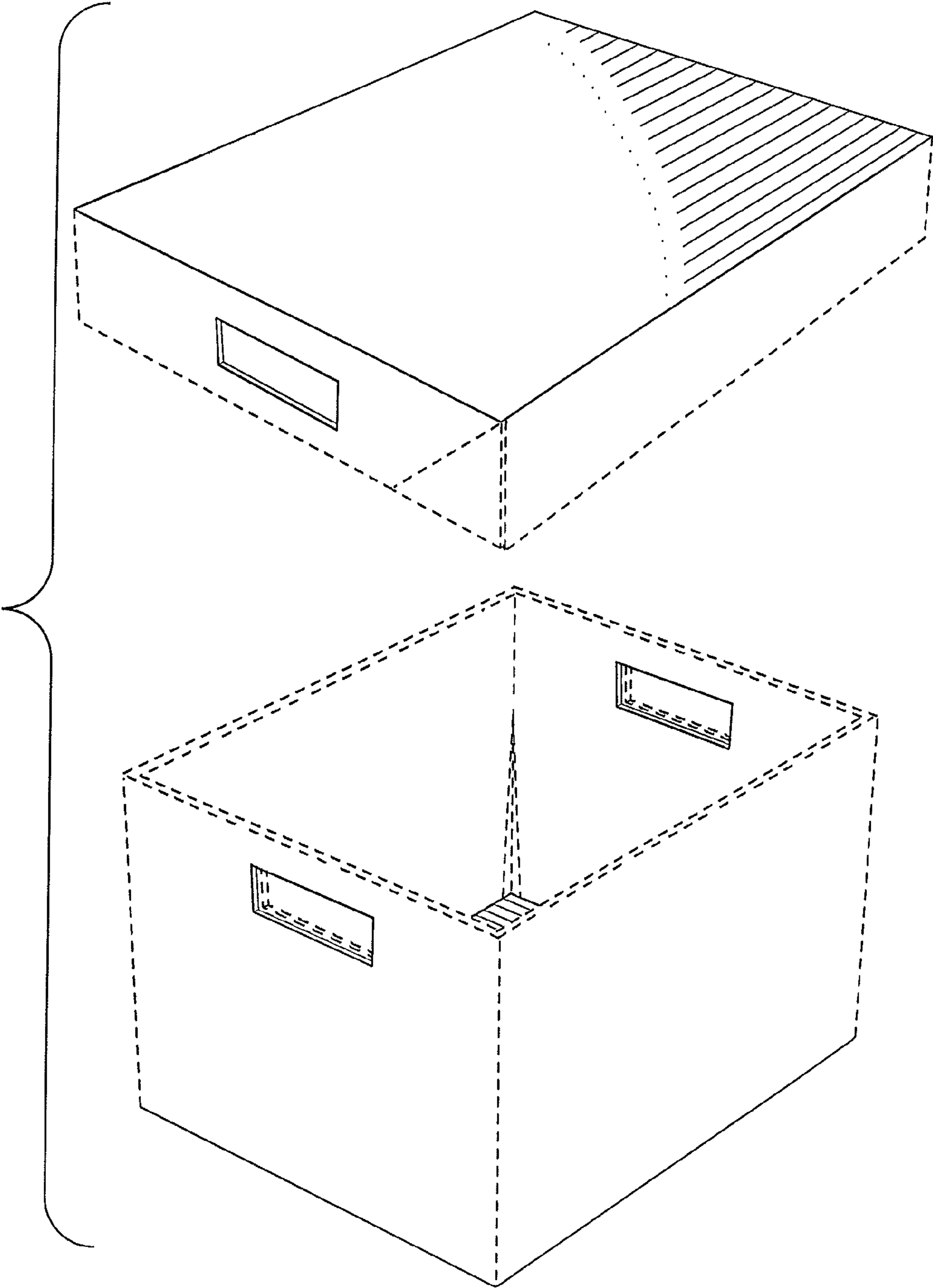


FIG. 1

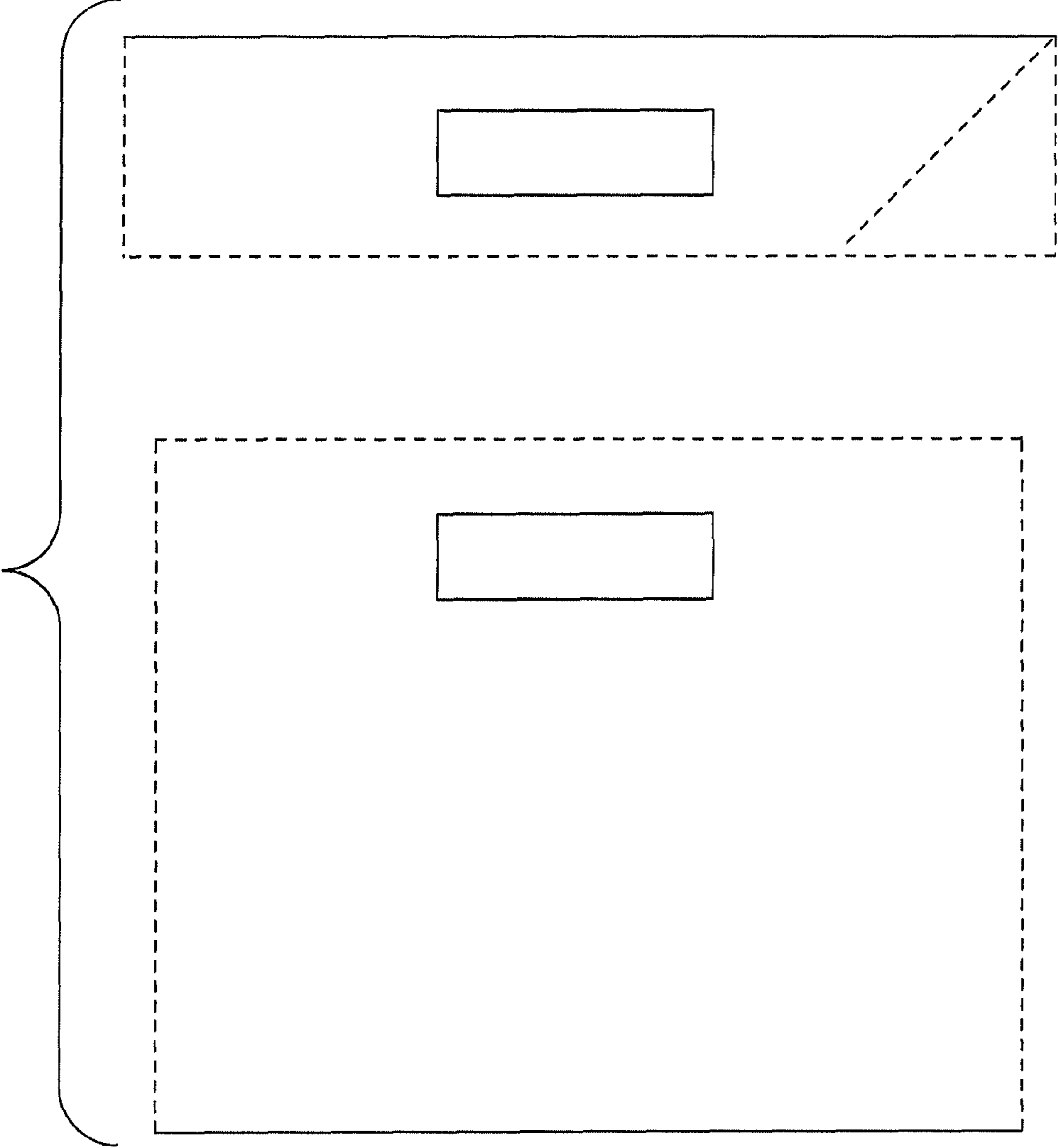


FIG. 2

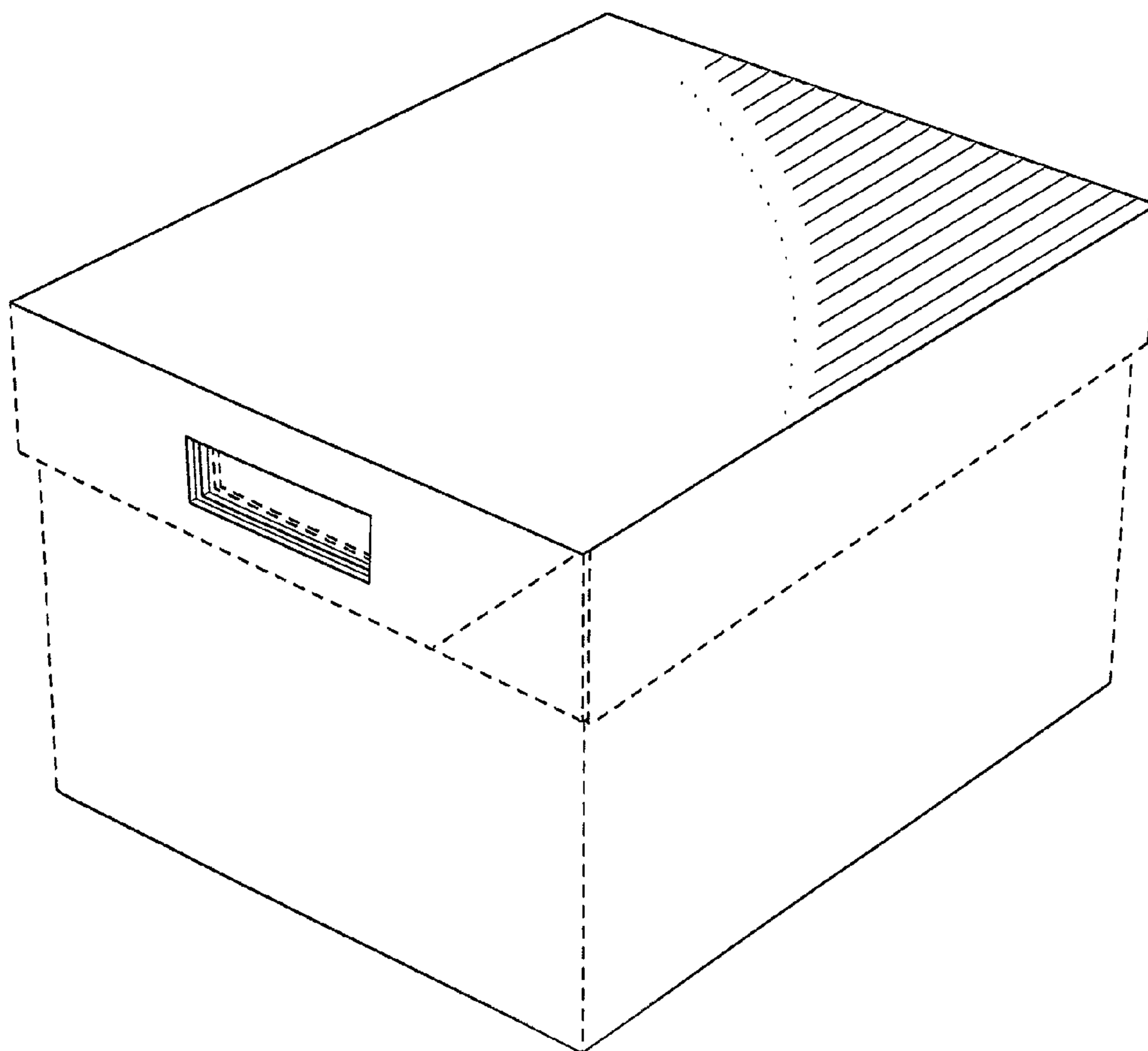


FIG. 3

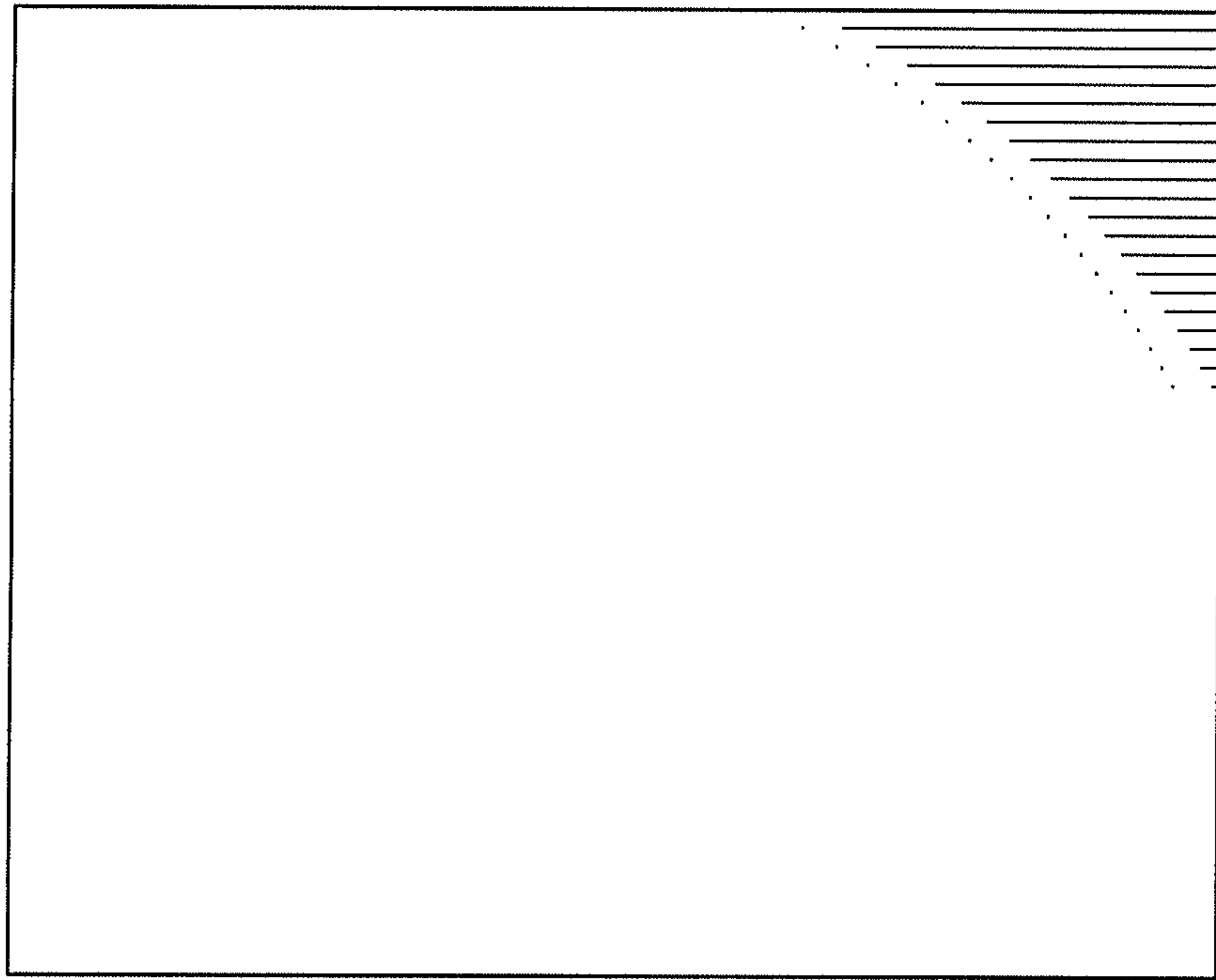


FIG. 4

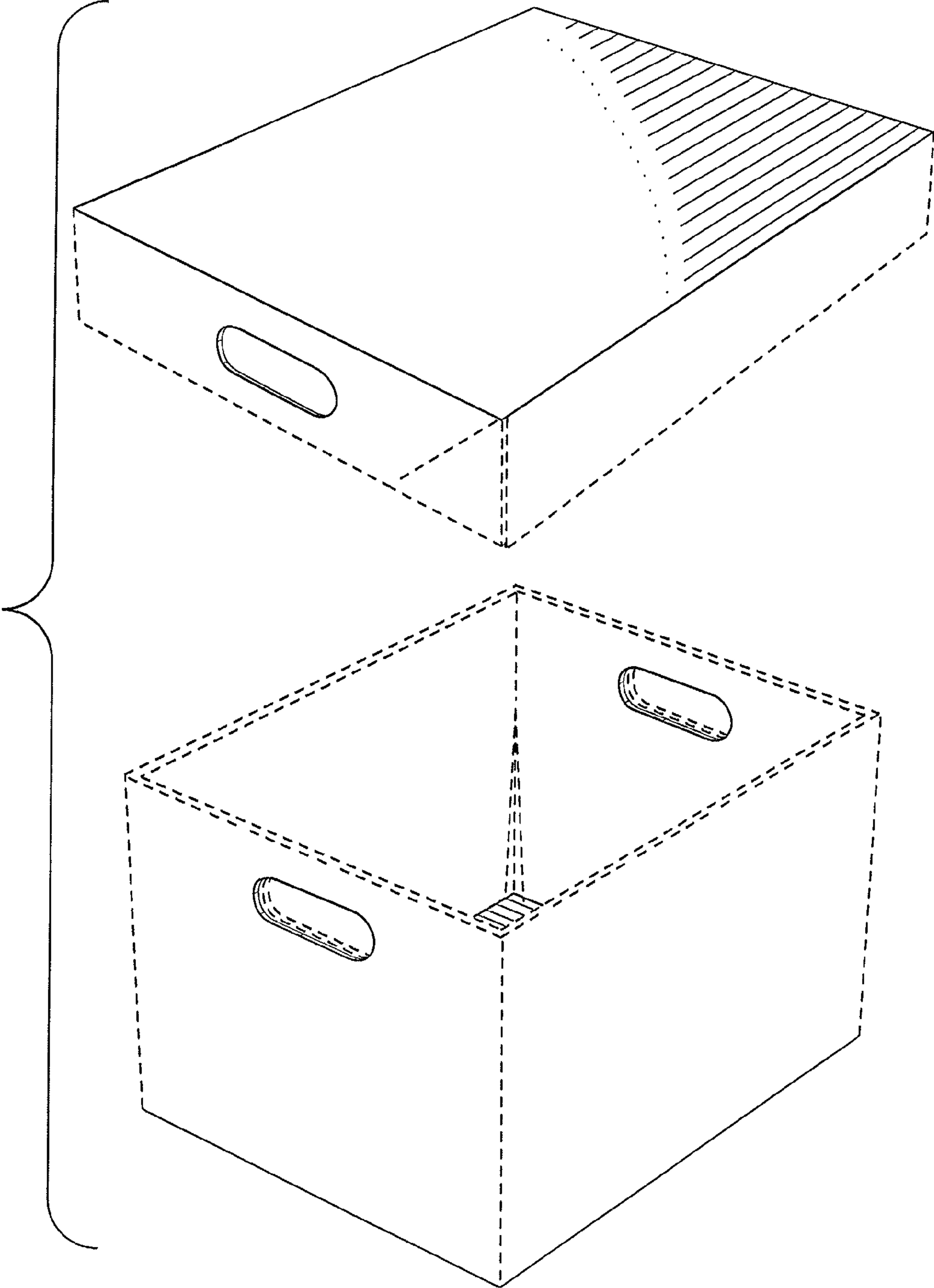


FIG. 5

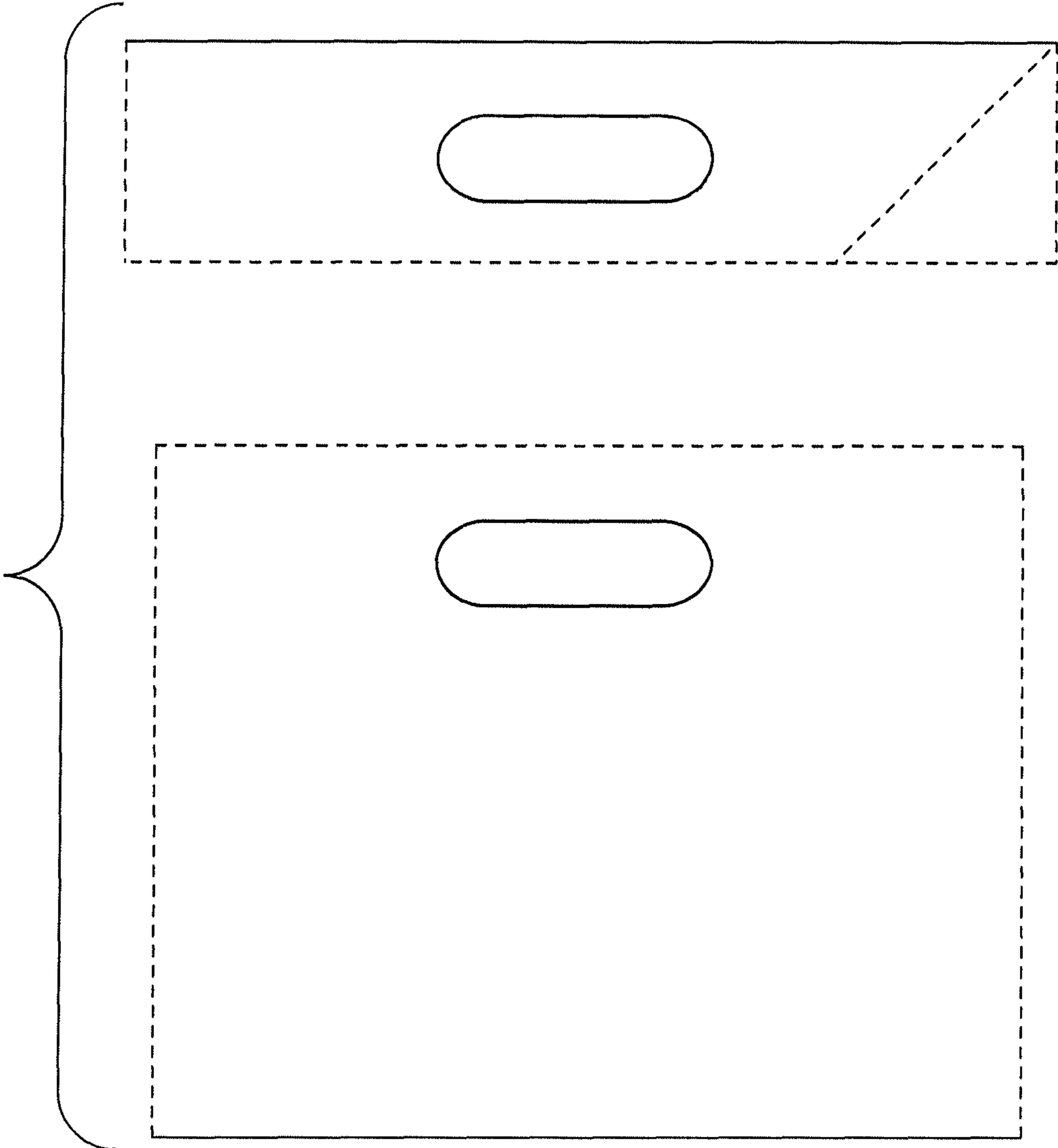


FIG. 6

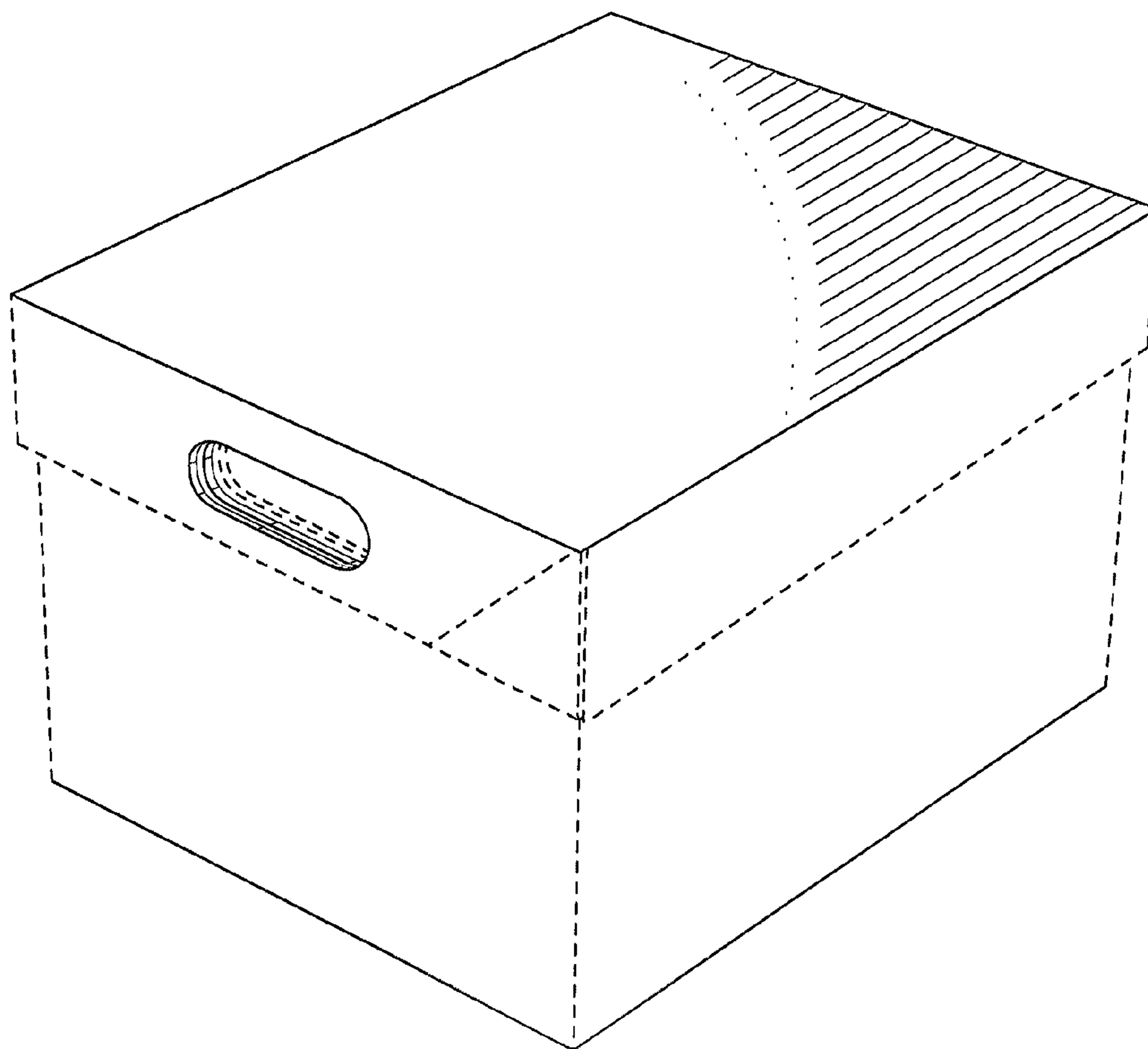


FIG. 7