



US00D740563S

(12) **United States Design Patent**
Yamamoto

(10) **Patent No.:** **US D740,563 S**

(45) **Date of Patent:** **** *Oct. 13, 2015**

(54) **STORAGE CASE**

(71) Applicant: **SHINWA CO., LTD.**, Niigata (JP)

(72) Inventor: **Kazunobu Yamamoto**, Niigata (JP)

(73) Assignee: **SHINWA CO., LTD.**, Niigata (JP)

(*) Notice: This patent is subject to a terminal disclaimer.

(**) Term: **14 Years**

(21) Appl. No.: **29/481,477**

(22) Filed: **Feb. 6, 2014**

(51) **LOC (10) Cl.** **03-01**

(52) **U.S. Cl.**
USPC **D3/297**

(58) **Field of Classification Search**
USPC D3/273, 276, 280, 282, 283, 284, 286,
D3/288, 292, 294, 295, 901, 903, 905, 302,
D3/306, 304, 272, 232, 247; 206/503, 207,
206/419, 505, 507, 511, 518, 559, 509, 506,
206/373, 501, 823; 220/23.86, 373, 553,
220/759, 506, 802, 822, 4.25; 312/283,
312/237, 108

See application file for complete search history.

(56) **References Cited**

U.S. PATENT DOCUMENTS

1,510,508 A * 10/1924 Snyder 217/2
D243,900 S * 4/1977 Boyd et al. D6/448
D255,518 S * 6/1980 Logsdon D6/448
D289,105 S * 4/1987 Sussman D3/302

4,728,159 A * 3/1988 Solomon et al. 312/111
D297,688 S * 9/1988 Solomon et al. D6/448
D328,399 S * 8/1992 McGrory et al. D6/448
5,680,957 A * 10/1997 Liu 220/663
D439,743 S * 4/2001 DeVance D3/297
D518,708 S * 4/2006 Ohayon D3/298
D527,901 S * 9/2006 Selsted D3/302
D539,138 S * 3/2007 Mittelstaedt et al. D3/294
D610,001 S * 2/2010 McAlpine D3/297
D636,665 S * 4/2011 Mittelstaedt D9/432
D670,111 S * 11/2012 McNamara D6/510
D701,044 S * 3/2014 Kishimoto D3/272

* cited by examiner

Primary Examiner — Jennifer Rivard

Assistant Examiner — April Rivas

(74) *Attorney, Agent, or Firm* — Saul Ewing LLP

(57) **CLAIM**

The ornamental design for a storage case, as shown and described.

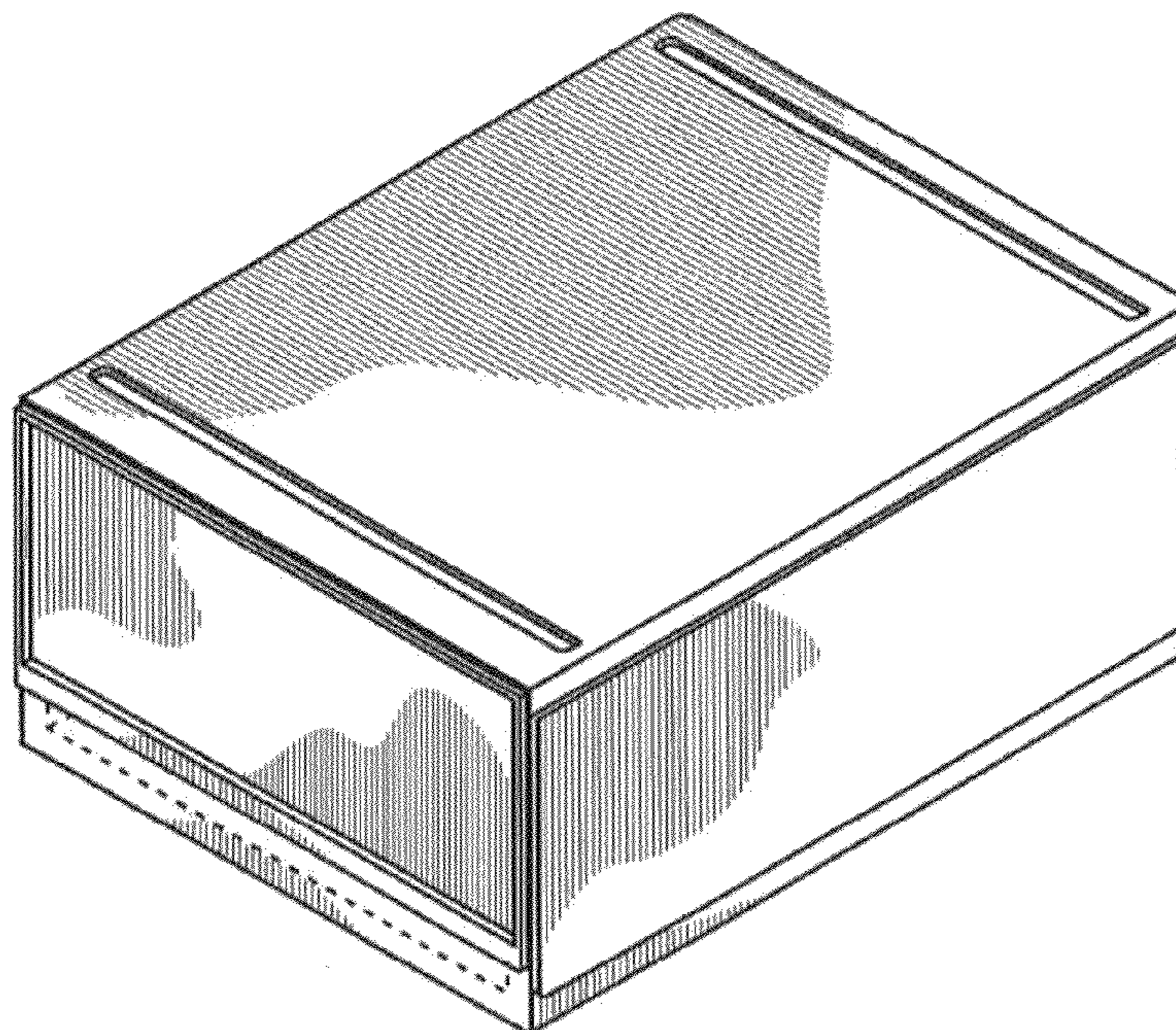
DESCRIPTION

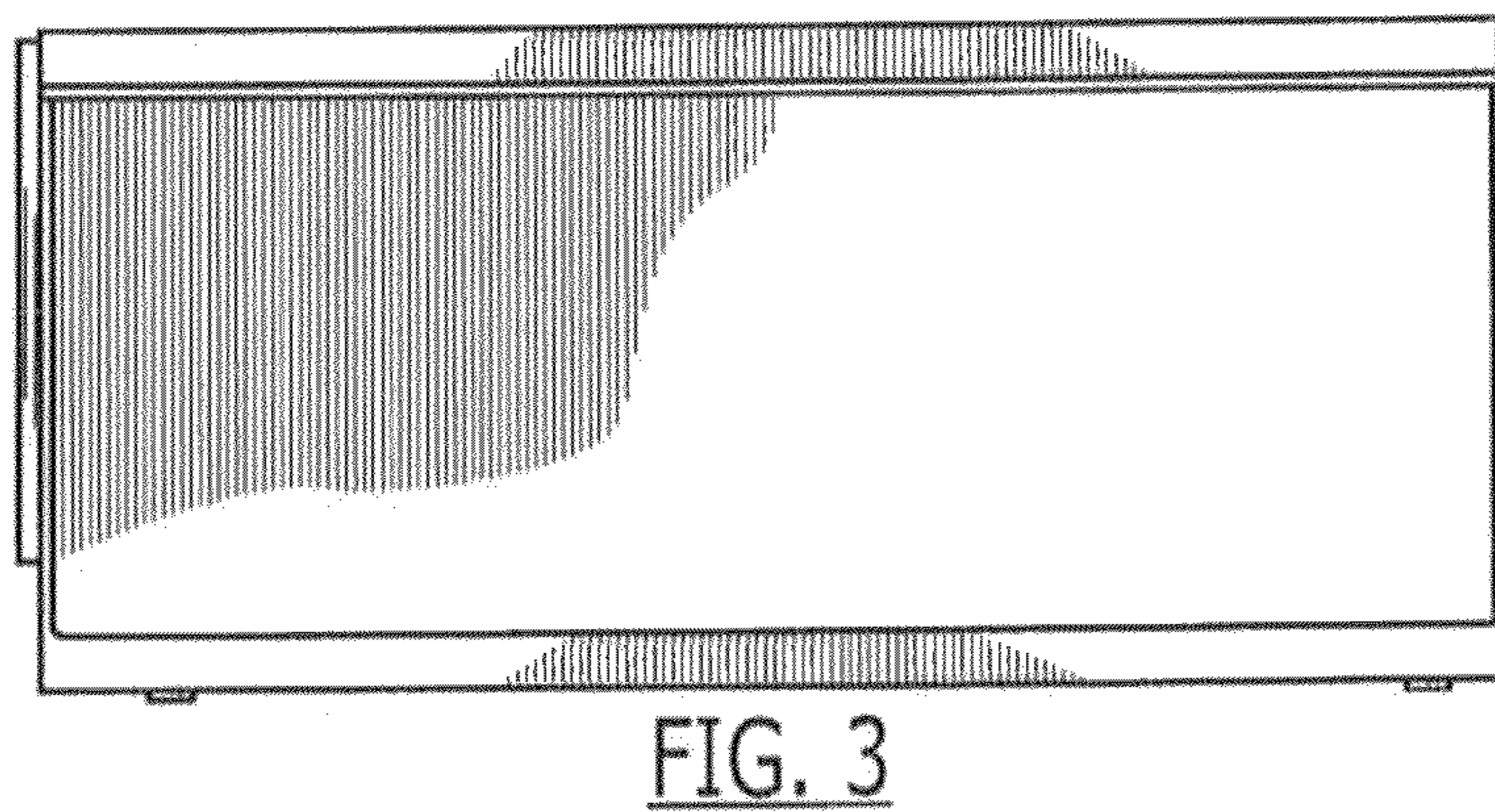
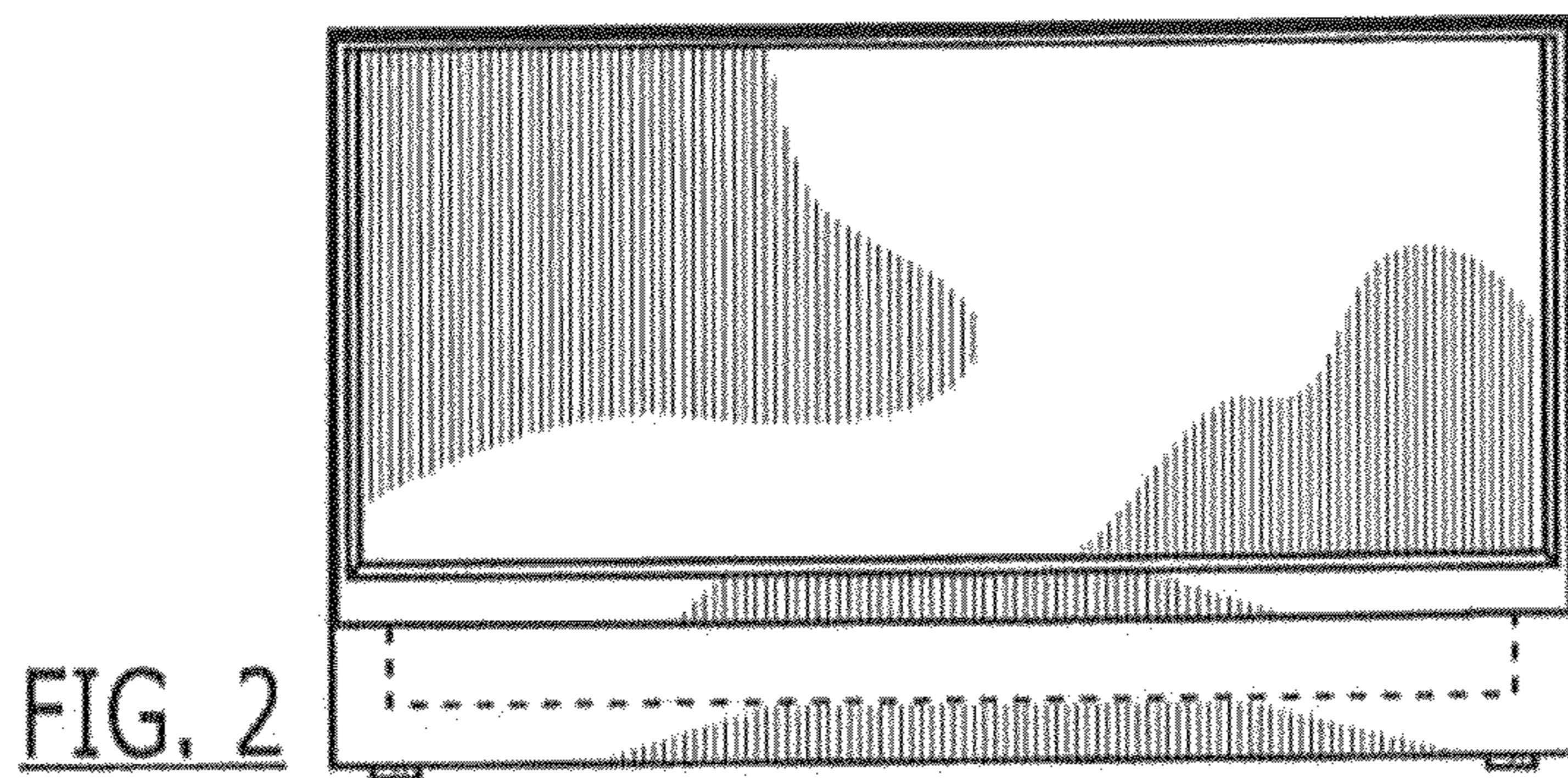
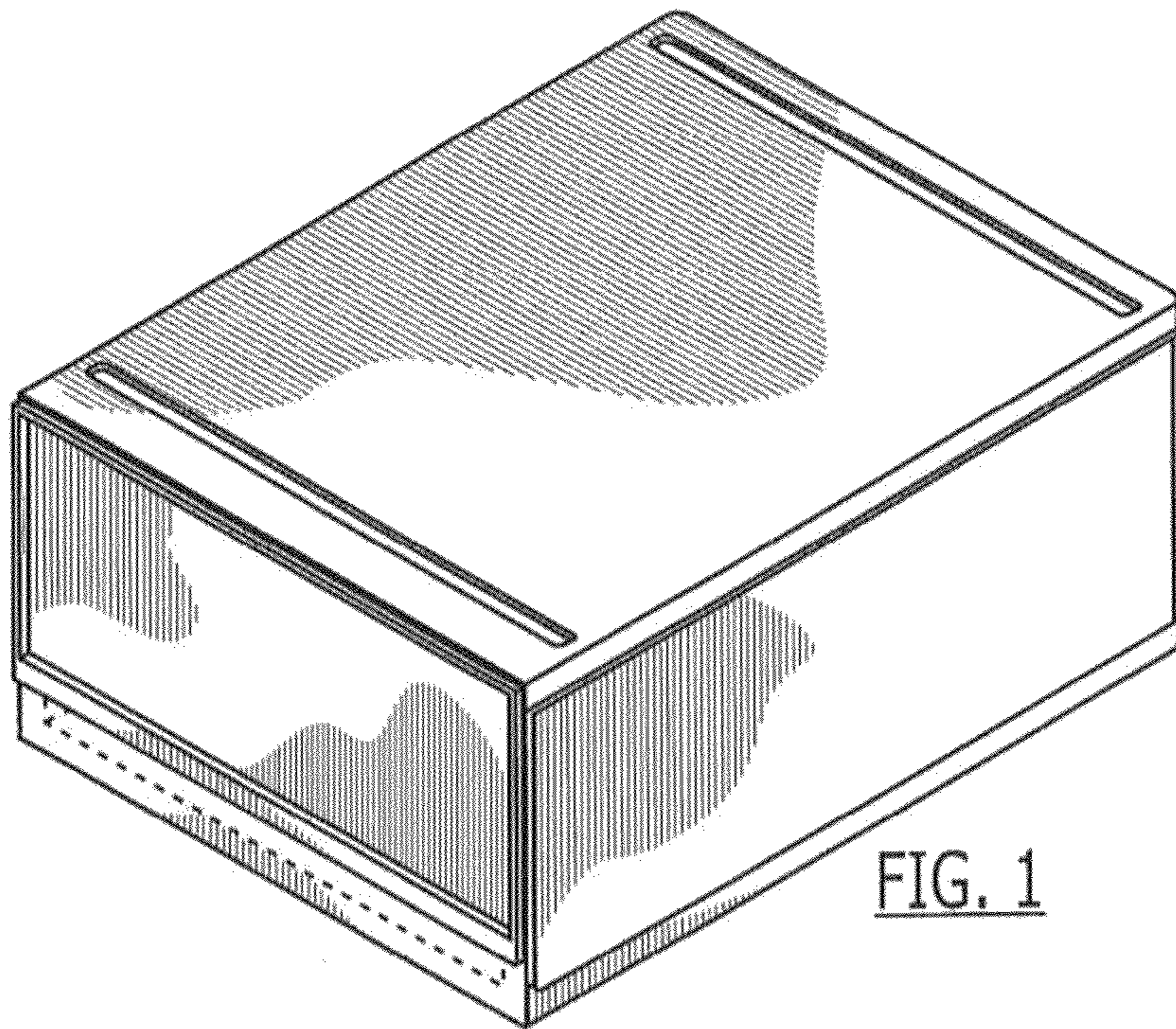
FIG. 1 is a perspective view of a storage case in accordance with the new design;
FIG. 2 is a front view thereof;
FIG. 3 is a right view thereof;
FIG. 4 is a top view thereof;
FIG. 5 is a rear view thereof;
FIG. 6 is a left view thereof; and,
FIG. 7 is a bottom thereof.

The spaced lines shown in FIGS. 1-6 disclose surface shading that represents an opaque surface.

The broken lines shown in the drawings illustrate portions of the storage case and form no part of the claimed design.

1 Claim, 3 Drawing Sheets





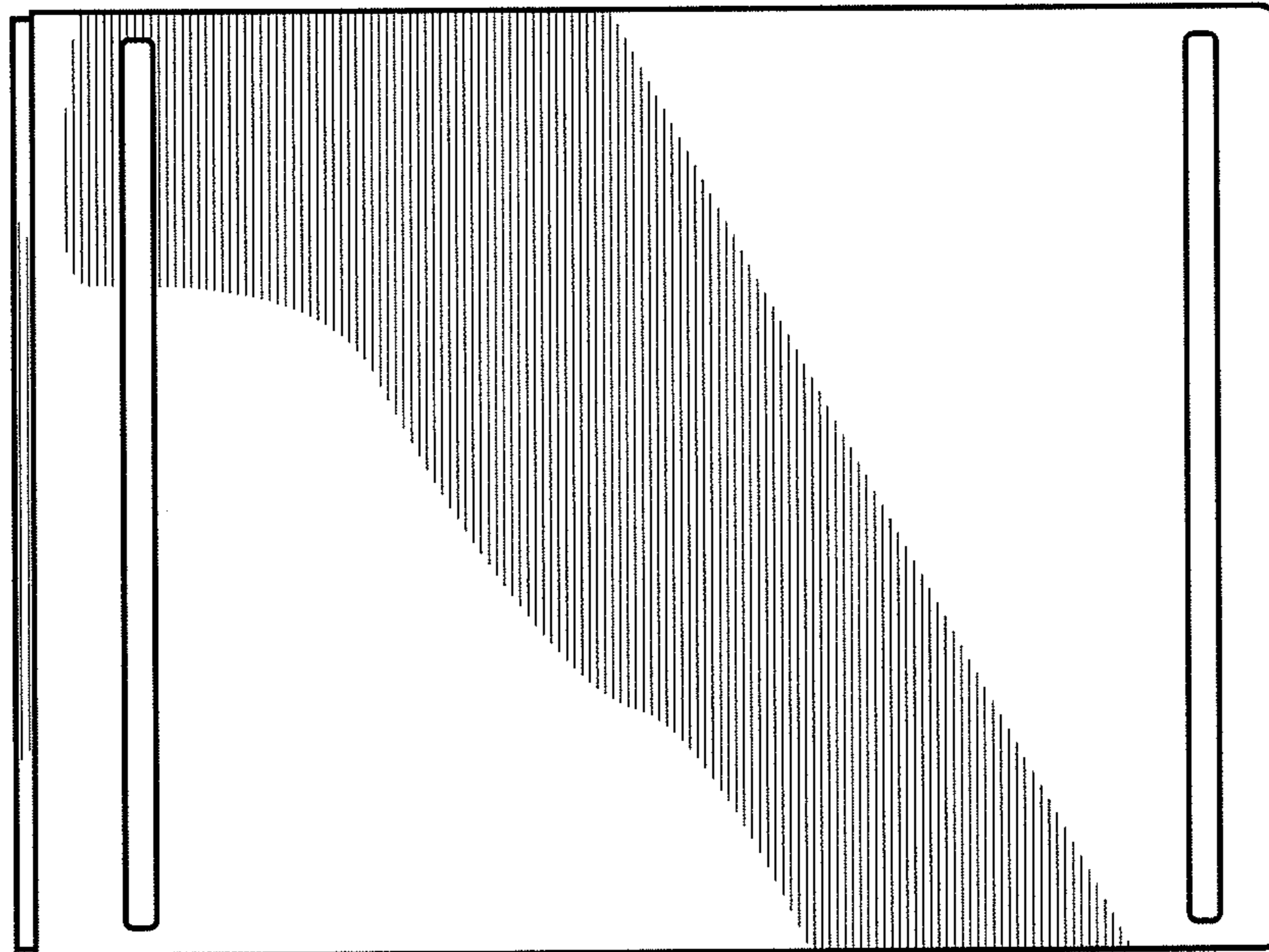


FIG. 4

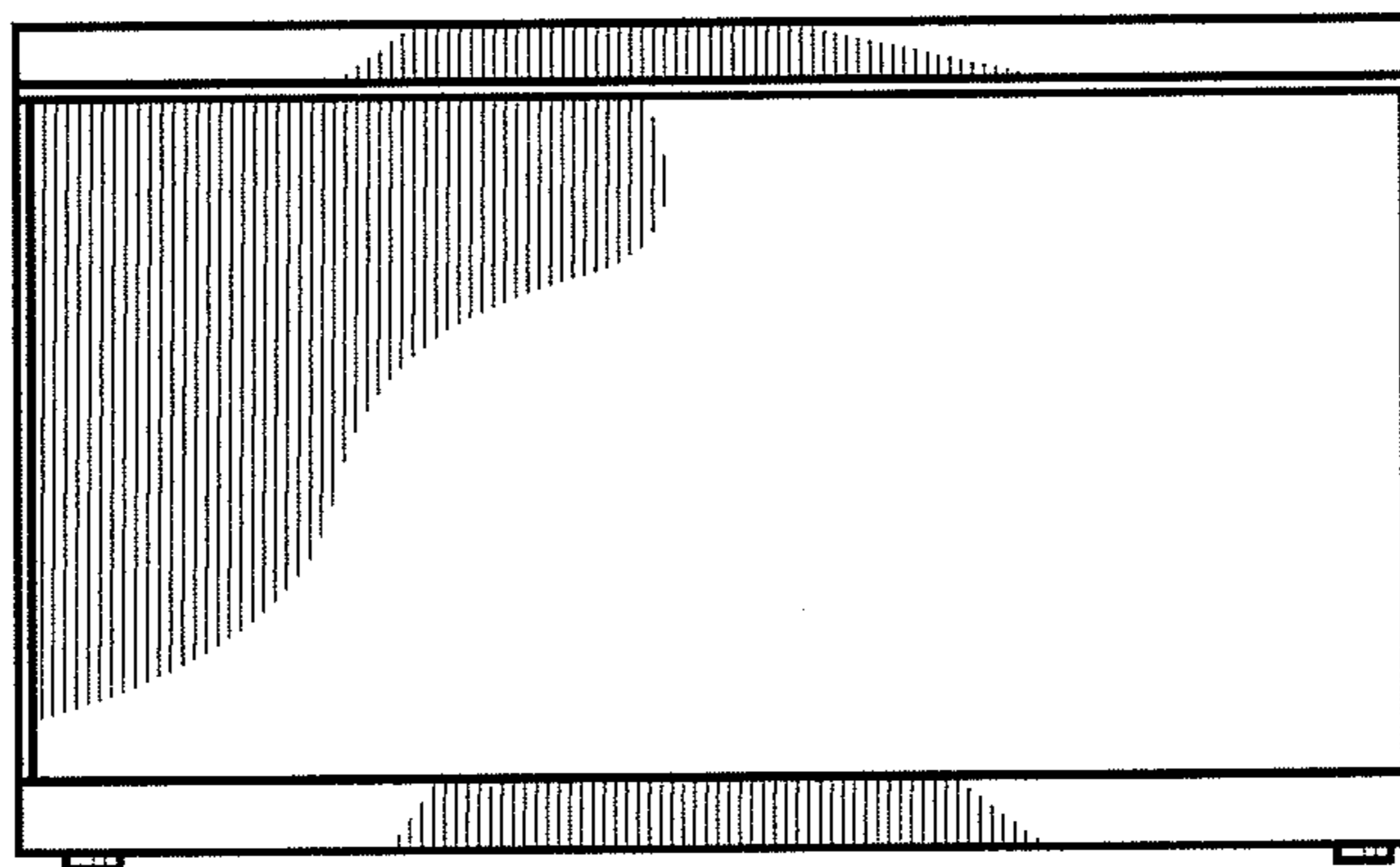


FIG. 5

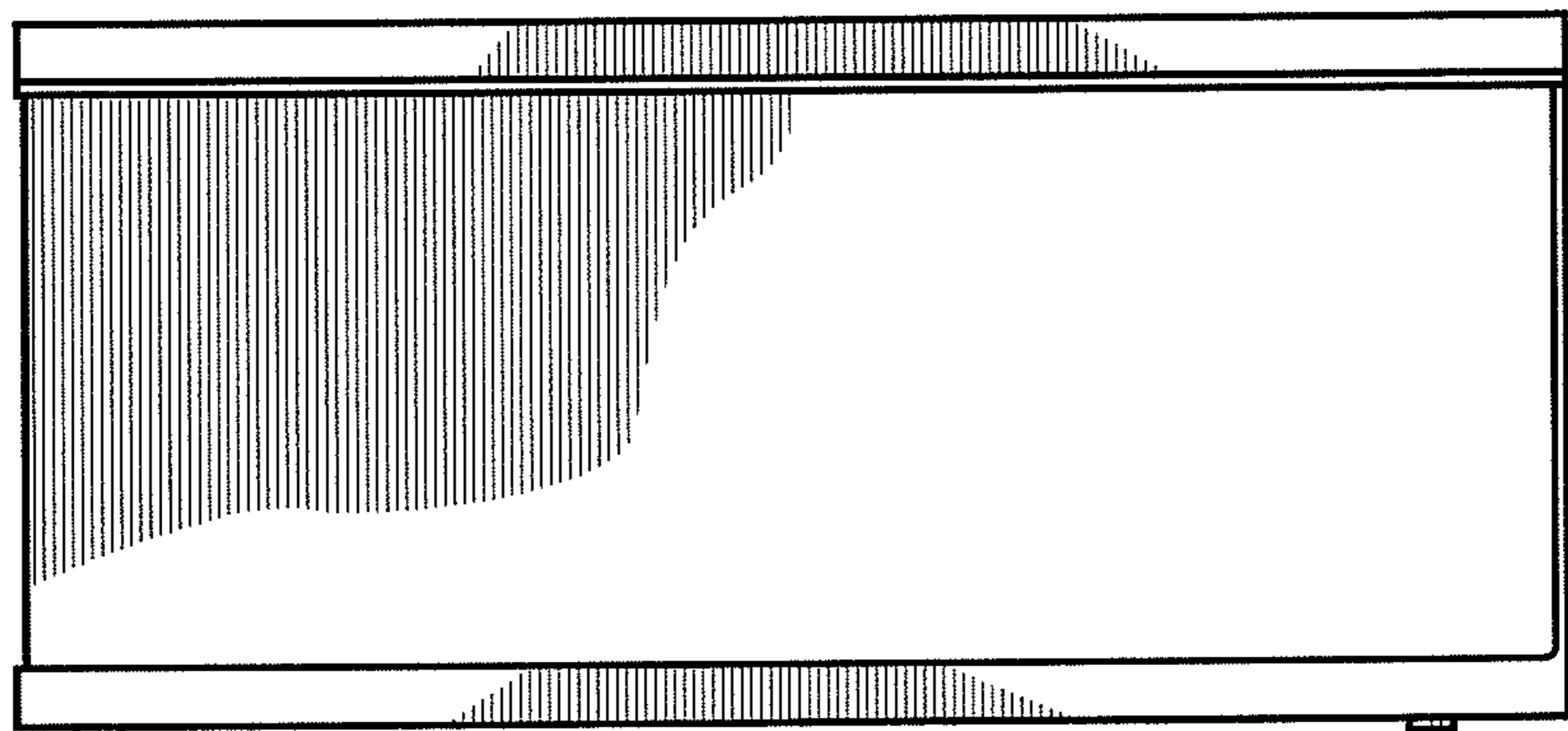


FIG. 6

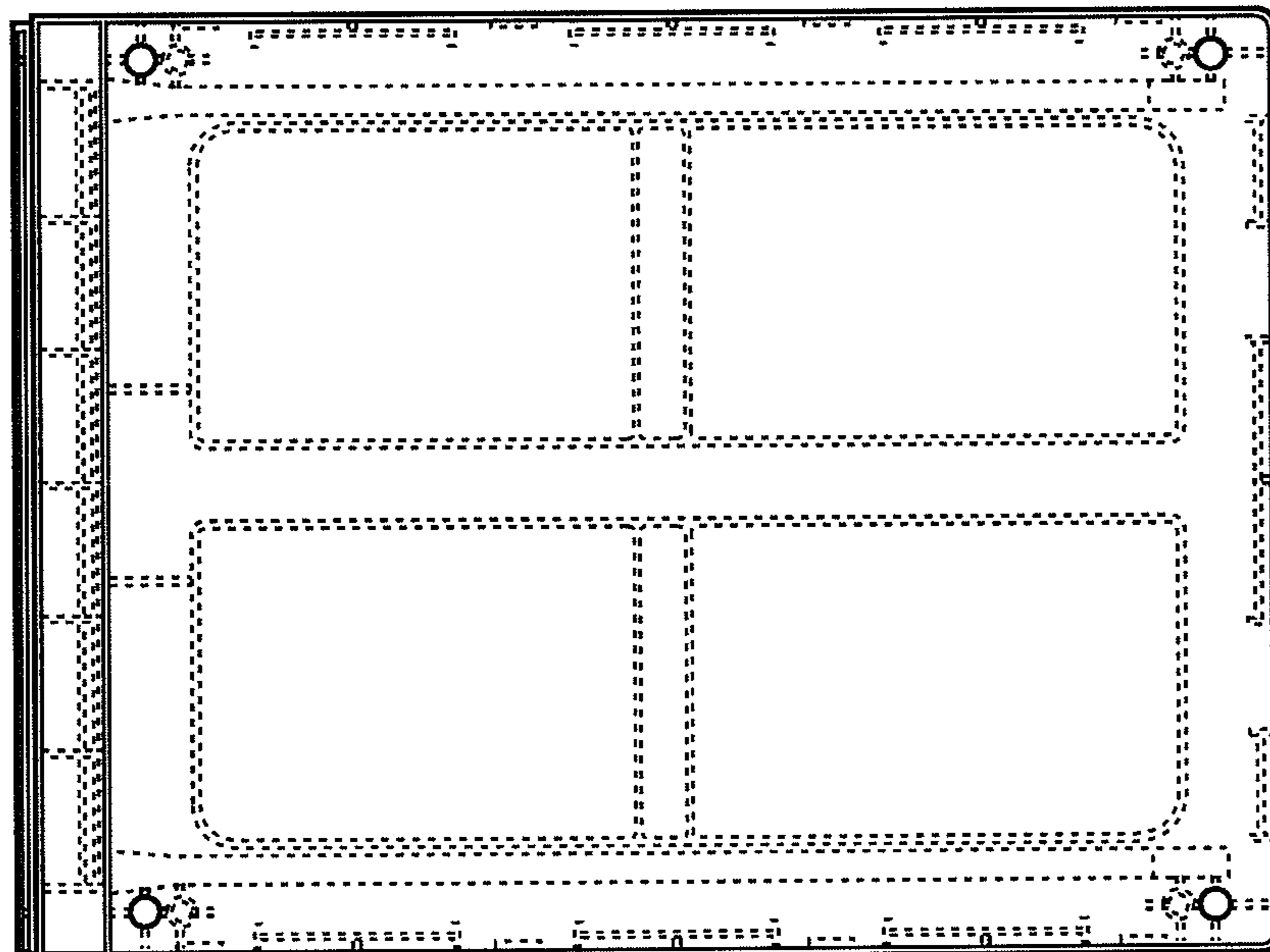


FIG. 7