



US00D740561S

(12) **United States Design Patent**  
**Mbi**

(10) **Patent No.:** **US D740,561 S**

(45) **Date of Patent:** **\*\* Oct. 13, 2015**

(54) **COMPARTMENTALIZED INFANT SUPPLY CARRIER**

(71) Applicant: **Mavis Prempeh Mbi**, Laurel, MD (US)

(72) Inventor: **Mavis Prempeh Mbi**, Laurel, MD (US)

(\*\*) Term: **14 Years**

(21) Appl. No.: **29/495,298**

(22) Filed: **Jun. 30, 2014**

(51) **LOC (10) Cl.** ..... **03-01**

(52) **U.S. Cl.**  
USPC ..... **D3/283; D3/301; D3/289**

(58) **Field of Classification Search**  
USPC ..... D3/273, 280, 289, 301, 903, 901, 900,  
D3/205, 232, 233, 246, 274-276, 290, 291,  
D3/299, 201, 294, 288, 217, 216, 270, 283,  
D3/287; 224/600-659, 275, 576, 929;  
150/100-110, 118, 119, 130;  
206/316.1, 316.2, 316.3, 823;  
190/100-127, 903, 902, 900

See application file for complete search history.

(56) **References Cited**

**U.S. PATENT DOCUMENTS**

|                |         |                 |       |         |
|----------------|---------|-----------------|-------|---------|
| D376,044 S *   | 12/1996 | Trawick et al.  | ..... | D3/283  |
| 6,298,993 B1 * | 10/2001 | Kalozdi         | ..... | 206/581 |
| D465,086 S *   | 11/2002 | Watts           | ..... | D3/290  |
| D468,534 S *   | 1/2003  | Crandall        | ..... | D3/289  |
| D476,481 S *   | 7/2003  | Gilbert         | ..... | D3/276  |
| D520,745 S *   | 5/2006  | Hussaini et al. | ..... | D3/283  |
| D548,964 S *   | 8/2007  | Aliberti et al. | ..... | D3/283  |
| D554,863 S *   | 11/2007 | Ayala           | ..... | D3/279  |
| D566,393 S *   | 4/2008  | Kidakarn        | ..... | D3/283  |
| D628,384 S *   | 12/2010 | McCarthy        | ..... | D3/289  |
| D637,809 S *   | 5/2011  | Meldeau         | ..... | D3/232  |
| D651,794 S *   | 1/2012  | Hargens et al.  | ..... | D3/232  |

|                   |        |         |       |         |
|-------------------|--------|---------|-------|---------|
| D666,814 S *      | 9/2012 | Allison | ..... | D3/274  |
| D685,181 S *      | 7/2013 | Burns   | ..... | D3/232  |
| 2003/0029755 A1 * | 2/2003 | Ho      | ..... | 206/320 |

\* cited by examiner

*Primary Examiner* — Jennifer Rivard

*Assistant Examiner* — April Rivas

(74) *Attorney, Agent, or Firm* — Rosenberg, Klein & Lee

(57) **CLAIM**

The ornamental design for a compartmentalized infant supply carrier, as shown and described.

**DESCRIPTION**

FIG. 1 is a frontal top right perspective view of a compartmentalized infant supply carrier showing an exemplary embodiment of my present design;

FIG. 2 is a rear top left perspective view thereof;

FIG. 3 is a frontal top right perspective view of the carrier as shown in FIG. 1, with a top flap cover portion thereof shown opened to expose a sub-compartment opening;

FIG. 4 is a frontal top left perspective view of the carrier as shown in FIG. 1, with a sub-compartment cover panel thereof and a main compartment cover panel thereof each shown in opened configuration;

FIG. 5 is a rear bottom left perspective view of the carrier as shown in FIG. 1;

FIG. 6 is rear bottom left perspective view of the carrier as shown in FIG. 5, with a rear flap cover portion thereof shown opened to expose a rear compartment opening; and,

FIG. 7 is a rear bottom right perspective view of the carrier as shown in FIG. 1.

The broken lines illustrate portions of the compartmentalized infant supply carrier. The dash-dot lines represent certain bounds of the claim. None of the broken lines forms part of the claimed design.

**1 Claim, 7 Drawing Sheets**

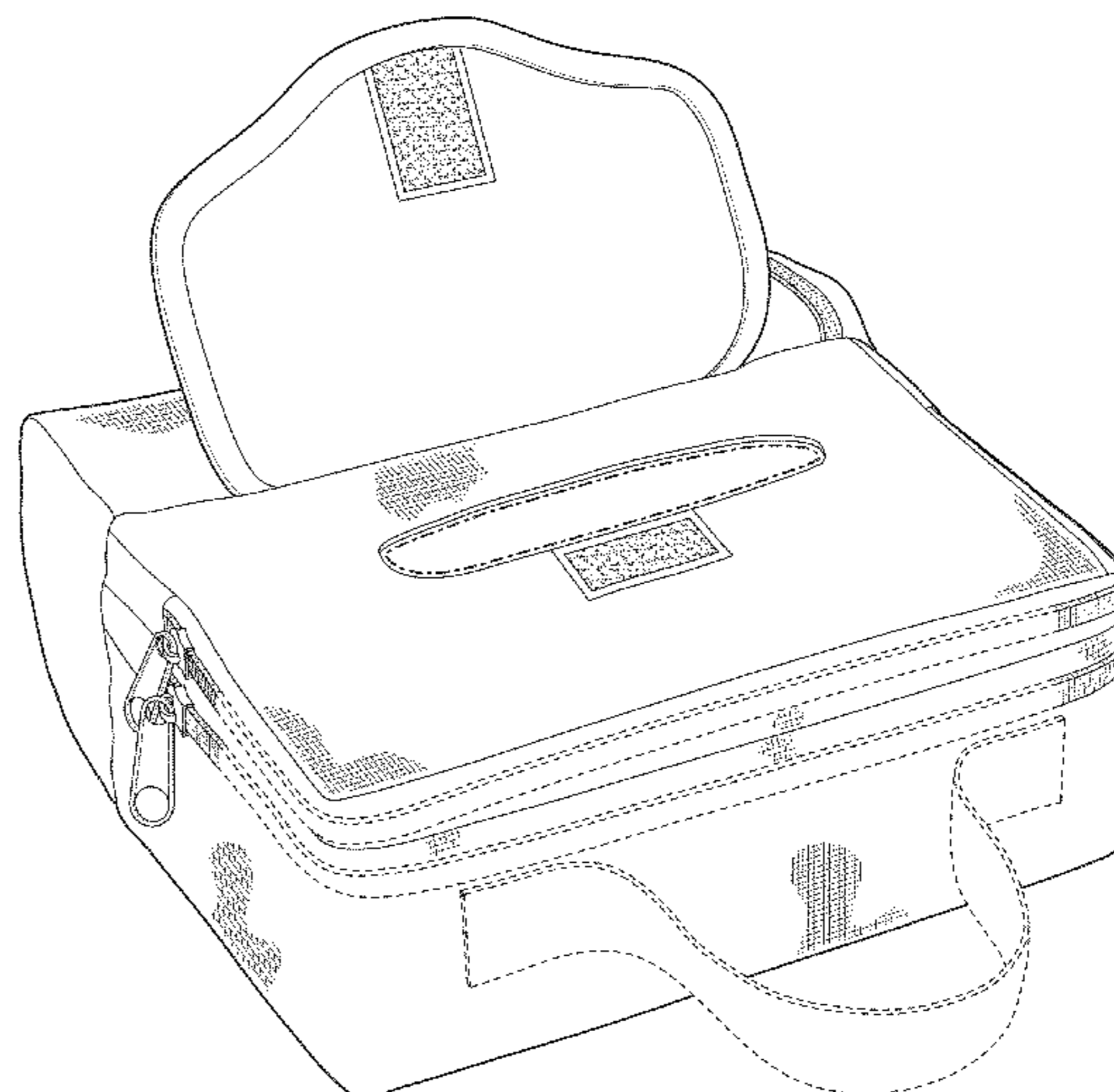
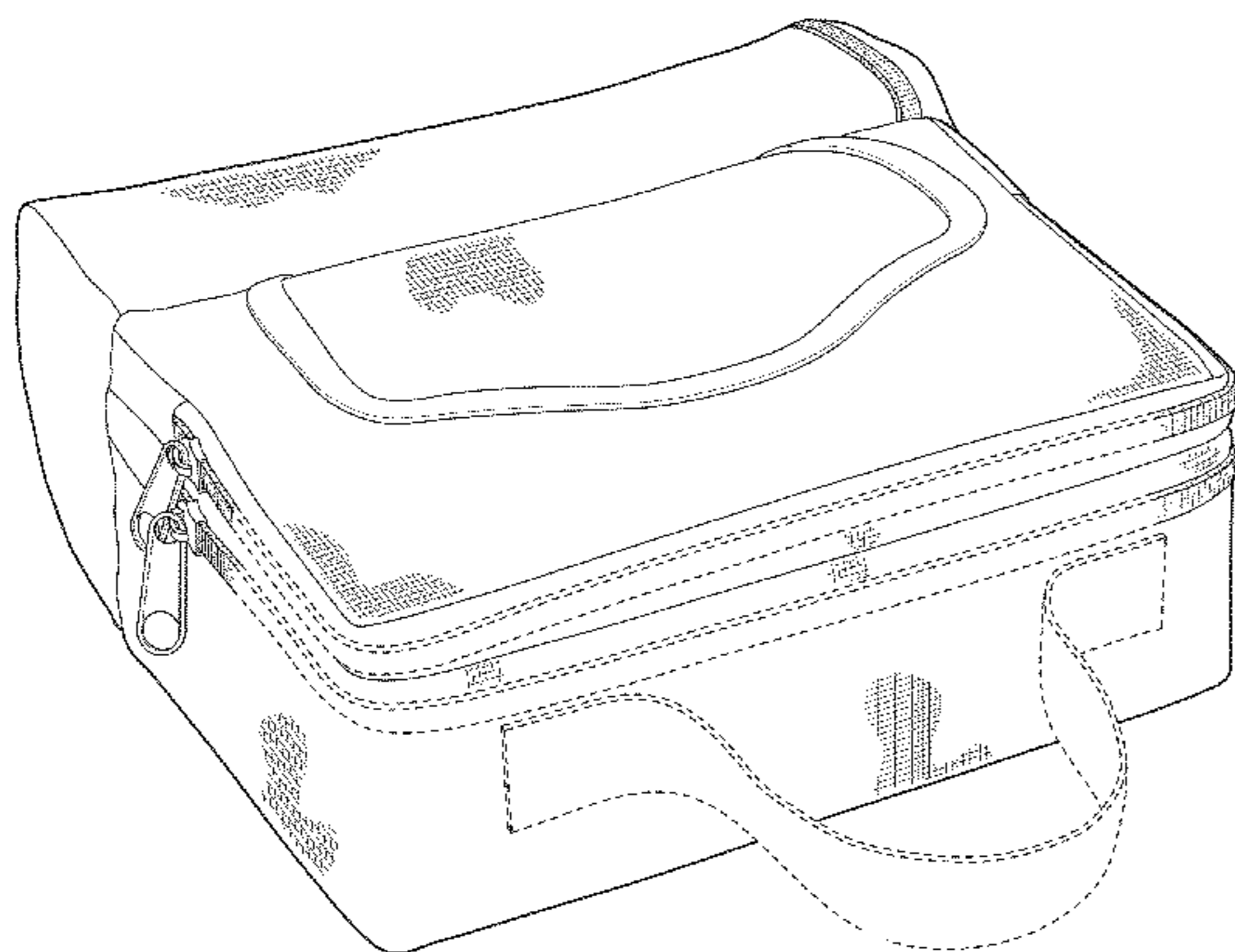




FIG. 1

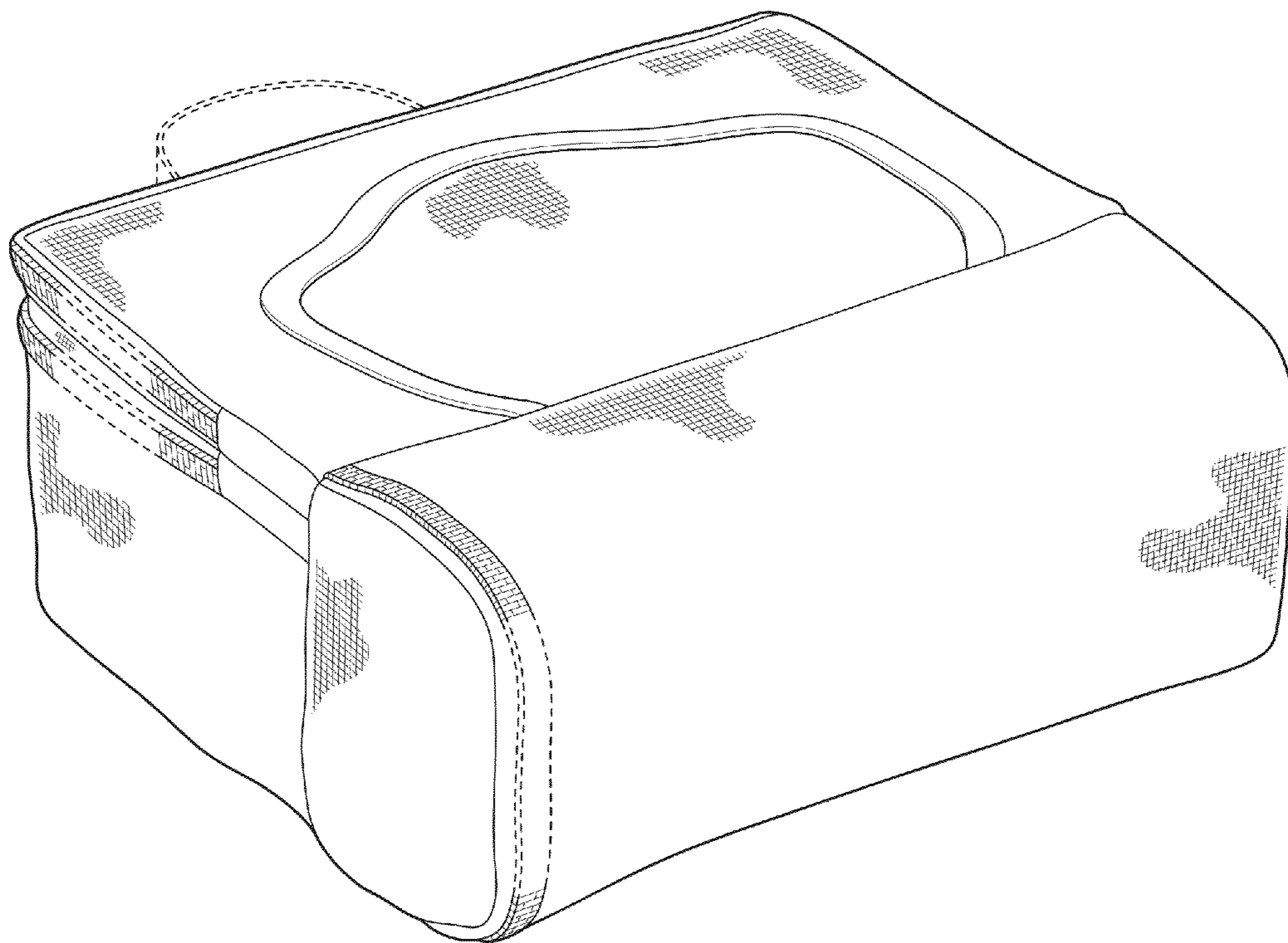


FIG. 2

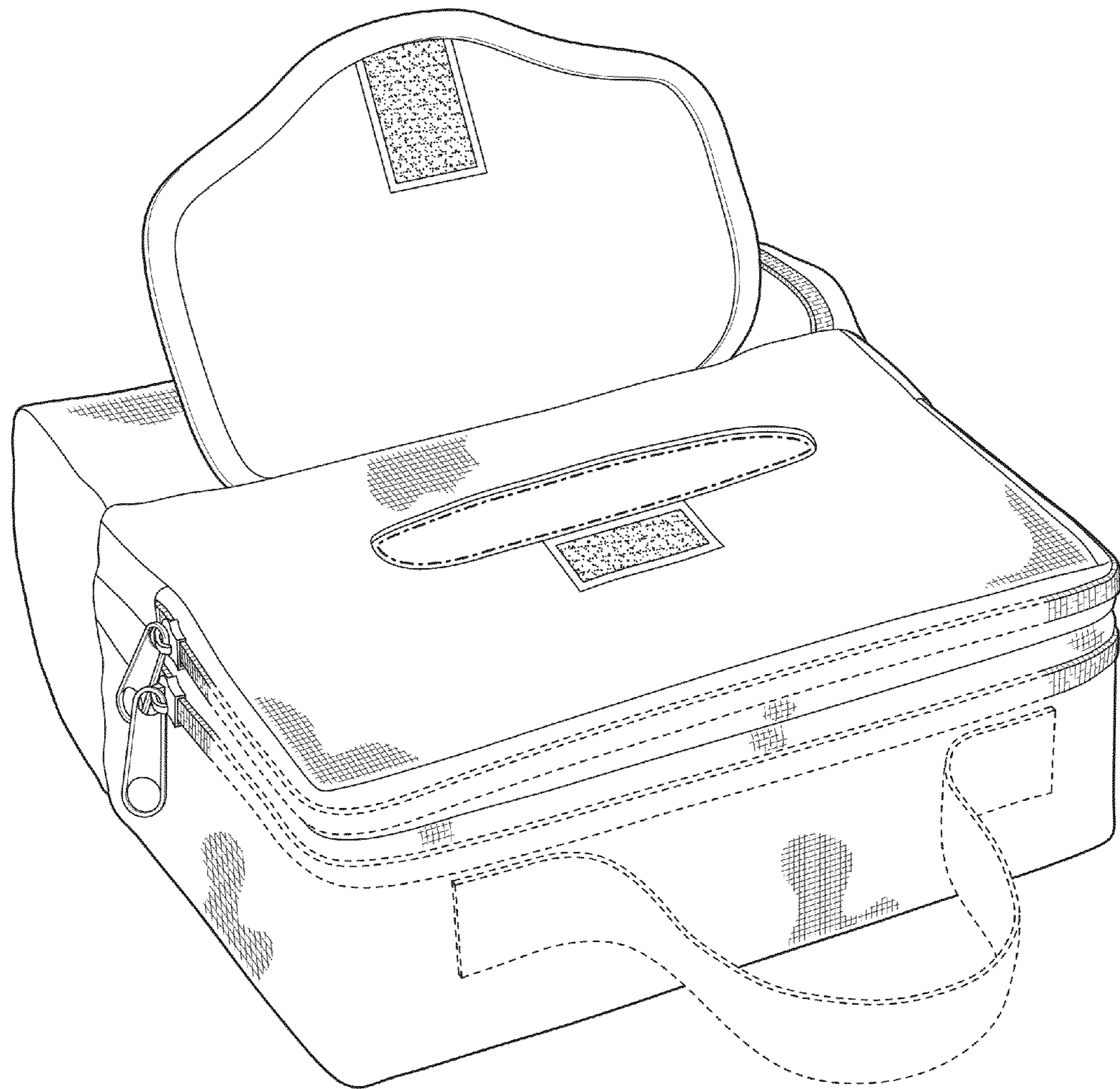


FIG. 3

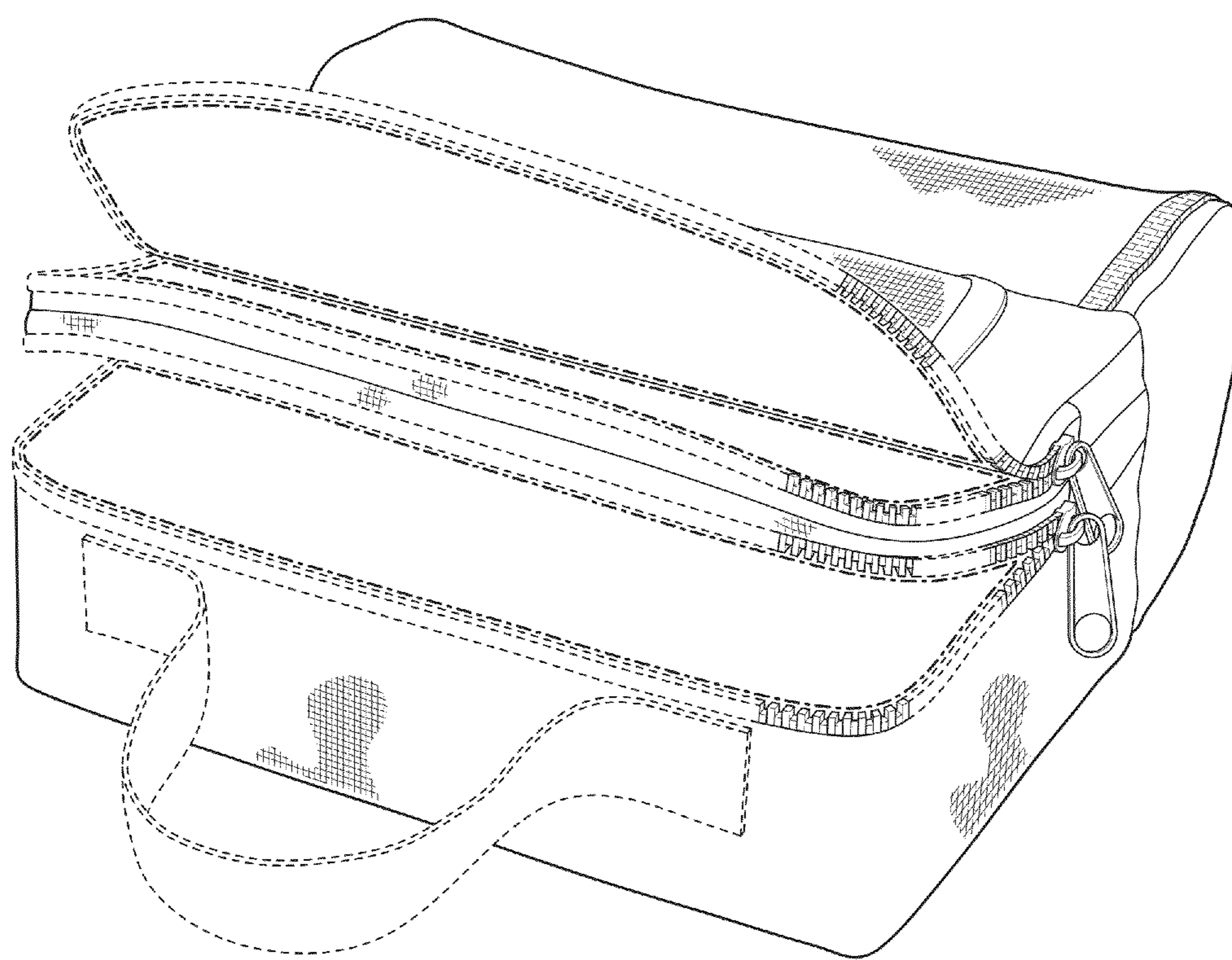


FIG. 4

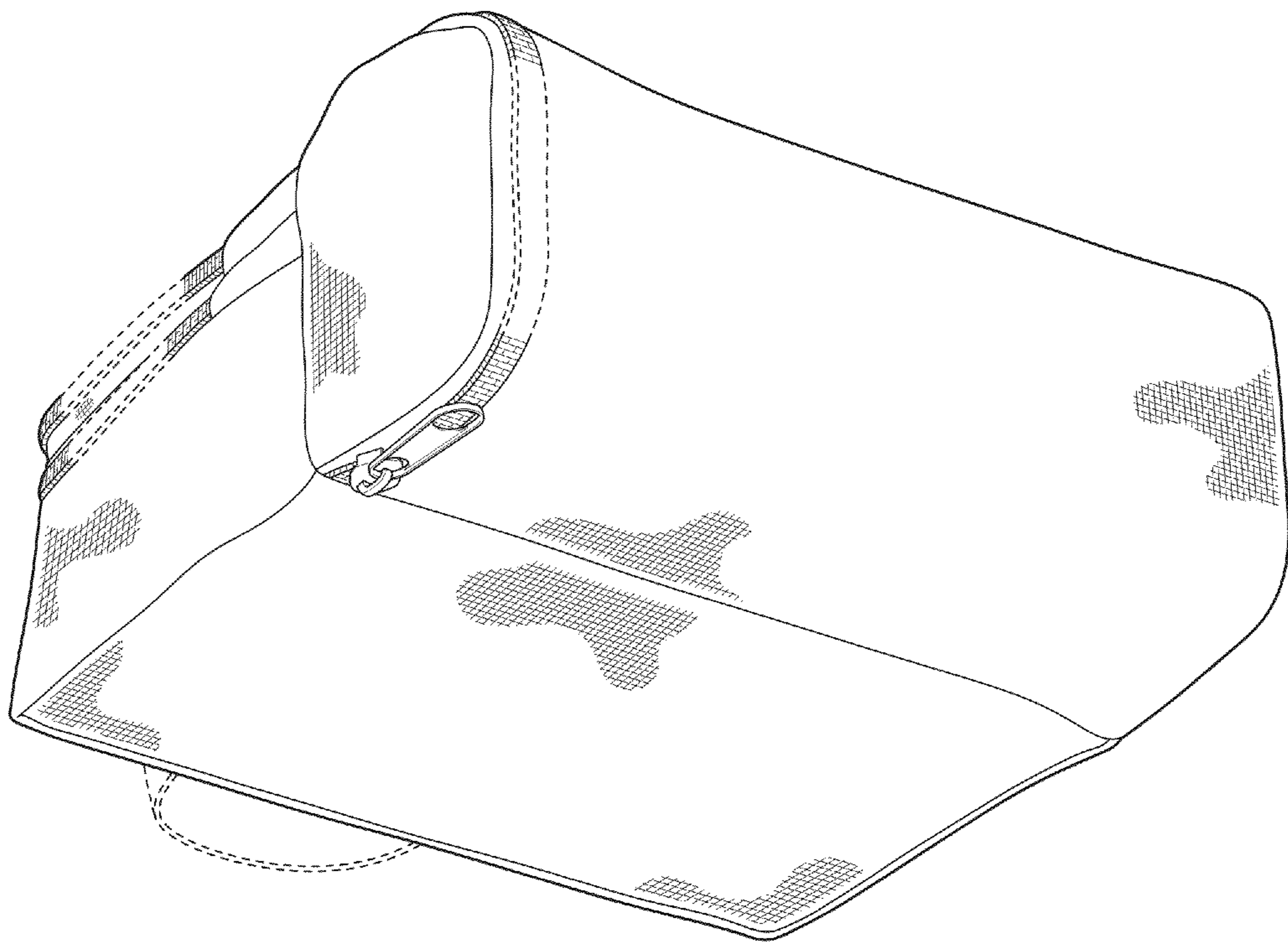


FIG. 5

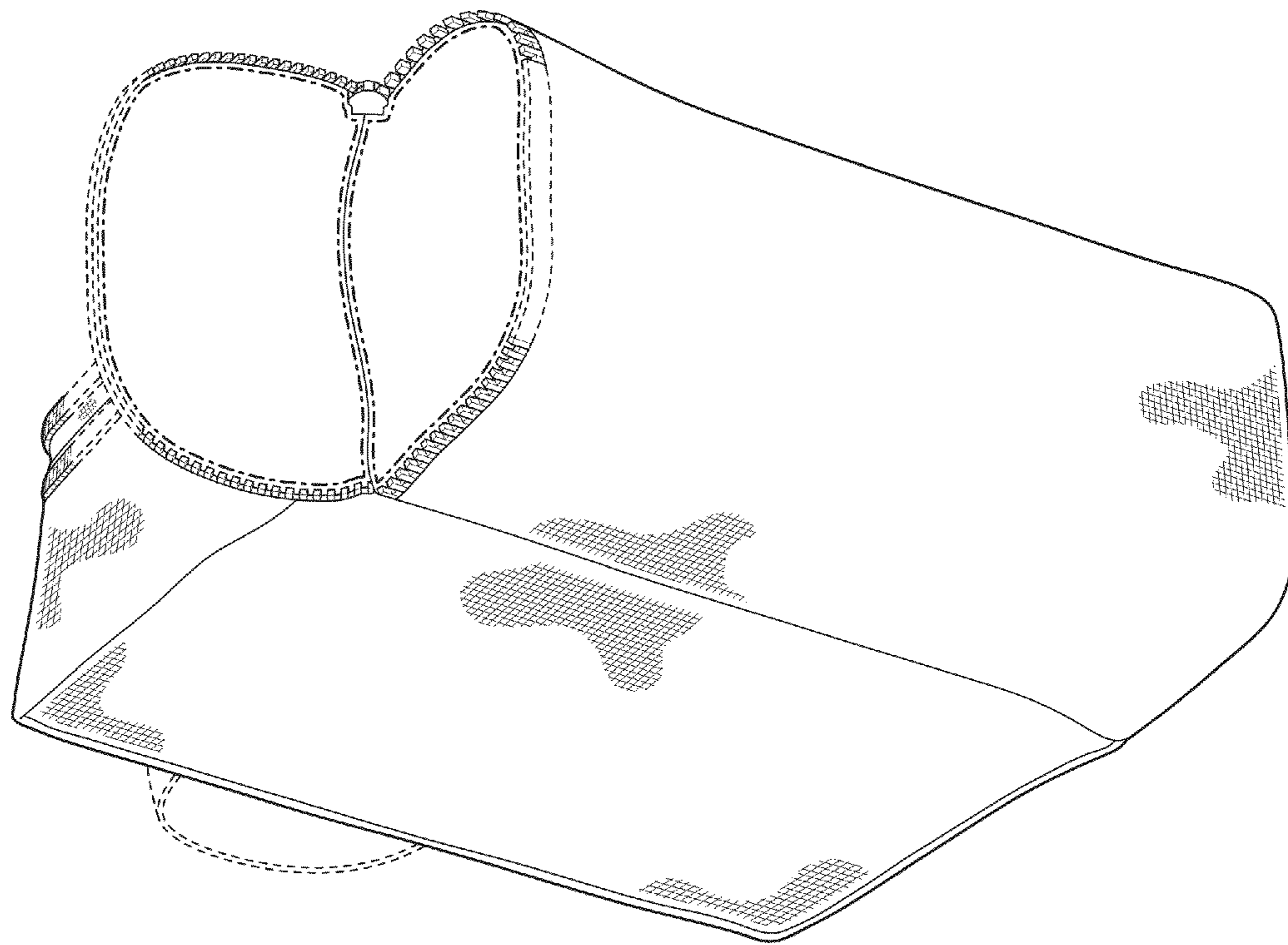


FIG. 6

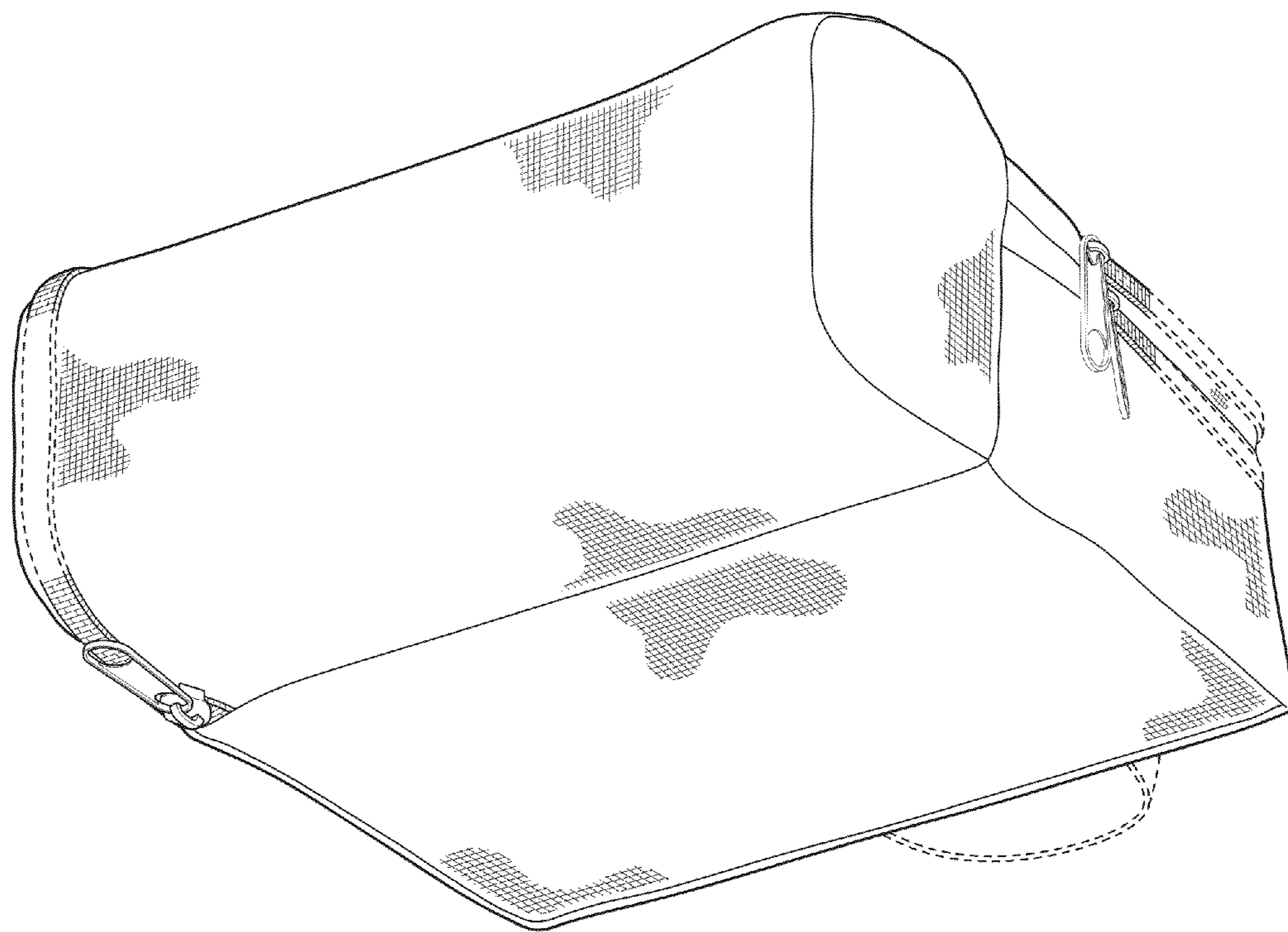


FIG. 7