



US00D740558S

(12) **United States Design Patent**  
**Liao**

(10) **Patent No.:** **US D740,558 S**

(45) **Date of Patent:** **\*\* Oct. 13, 2015**

(54) **LUGGAGE**

(71) Applicant: **GUANGZHOU WINTIMES**  
**ALUMINUM PRODUCTS CO., LTD,**  
Guangzhou, Guangdong (CN)

(72) Inventor: **Xiwei Liao,** Guangzhou (CN)

(73) Assignee: **GUANGZHOU WINTIMES**  
**ALUMINUM PRODUCTS CO., LTD,**  
Guangzhou (CN)

(\*\*) Term: **14 Years**

(21) Appl. No.: **29/512,286**

(22) Filed: **Dec. 18, 2014**

(30) **Foreign Application Priority Data**

Jun. 18, 2014 (CN) ..... 2014 3 0188185

(51) **LOC (10) Cl.** ..... **03-01**

(52) **U.S. Cl.**  
USPC ..... **D3/279; D3/294**

(58) **Field of Classification Search**  
USPC ..... D3/272, 273, 276, 278, 279, 281, 283,  
D3/284, 285, 289, 294, 295, 298, 301, 302,  
D3/902  
CPC ..... A45C 2003/008; A45C 5/00; A45C 5/03;  
A45C 2005/032; A45C 2005/035; A45C  
2005/037; A45C 5/06; A45C 5/14; A45C  
13/1084; A45C 13/385

See application file for complete search history.

(56) **References Cited**

U.S. PATENT DOCUMENTS

D563,101	S	*	3/2008	Kuchler et al.	.....	D3/279
D587,902	S	*	3/2009	Yoneno	.....	D3/279
D629,200	S	*	12/2010	Turella-Yuan et al.	.....	D3/279
D644,435	S	*	9/2011	Weng	.....	D3/279
D659,395	S	*	5/2012	Sijmons	.....	D3/279
D709,696	S	*	7/2014	Wu	.....	D3/279
D710,610	S	*	8/2014	Sijmons et al.	.....	D3/279
D711,649	S	*	8/2014	Chen	.....	D3/279
D712,143	S	*	9/2014	Chehebar	.....	D3/289
D714,056	S	*	9/2014	Weng	.....	D3/279
D722,771	S	*	2/2015	Wu	.....	D3/279
2011/0155526	A1	*	6/2011	Cheng	.....	190/18 A
2011/0284334	A1	*	11/2011	Cheng	.....	190/18 A

\* cited by examiner

*Primary Examiner* — Jennifer Rivard

*Assistant Examiner* — April Rivas

(57) **CLAIM**

The ornamental design for a luggage, as shown and described.

**DESCRIPTION**

FIG. 1 is a front elevational view of a luggage showing my new design;  
FIG. 2 is a rear elevational view thereof;  
FIG. 3 is a right side view thereof;  
FIG. 4 is a left side view thereof;  
FIG. 5 is a bottom plan view thereof;  
FIG. 6 is a top plan view thereof;  
FIG. 7 is a front and right side perspective view thereof;  
FIG. 8 is a right and rear side perspective view thereof;  
FIG. 9 is a front and left side perspective view thereof; and,  
FIG. 10 is a left and rear side perspective view thereof.

**1 Claim, 9 Drawing Sheets**



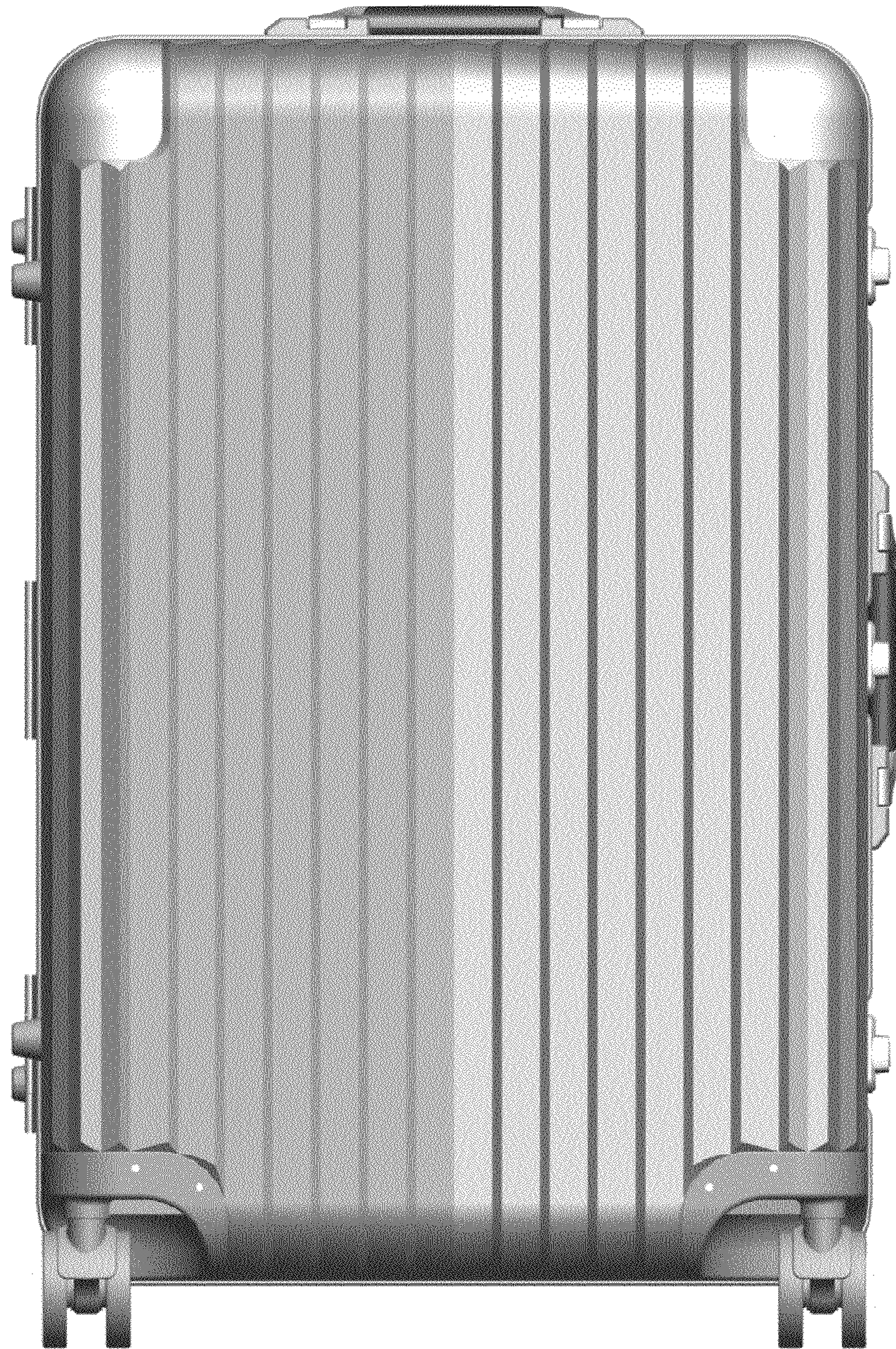


Fig. 1

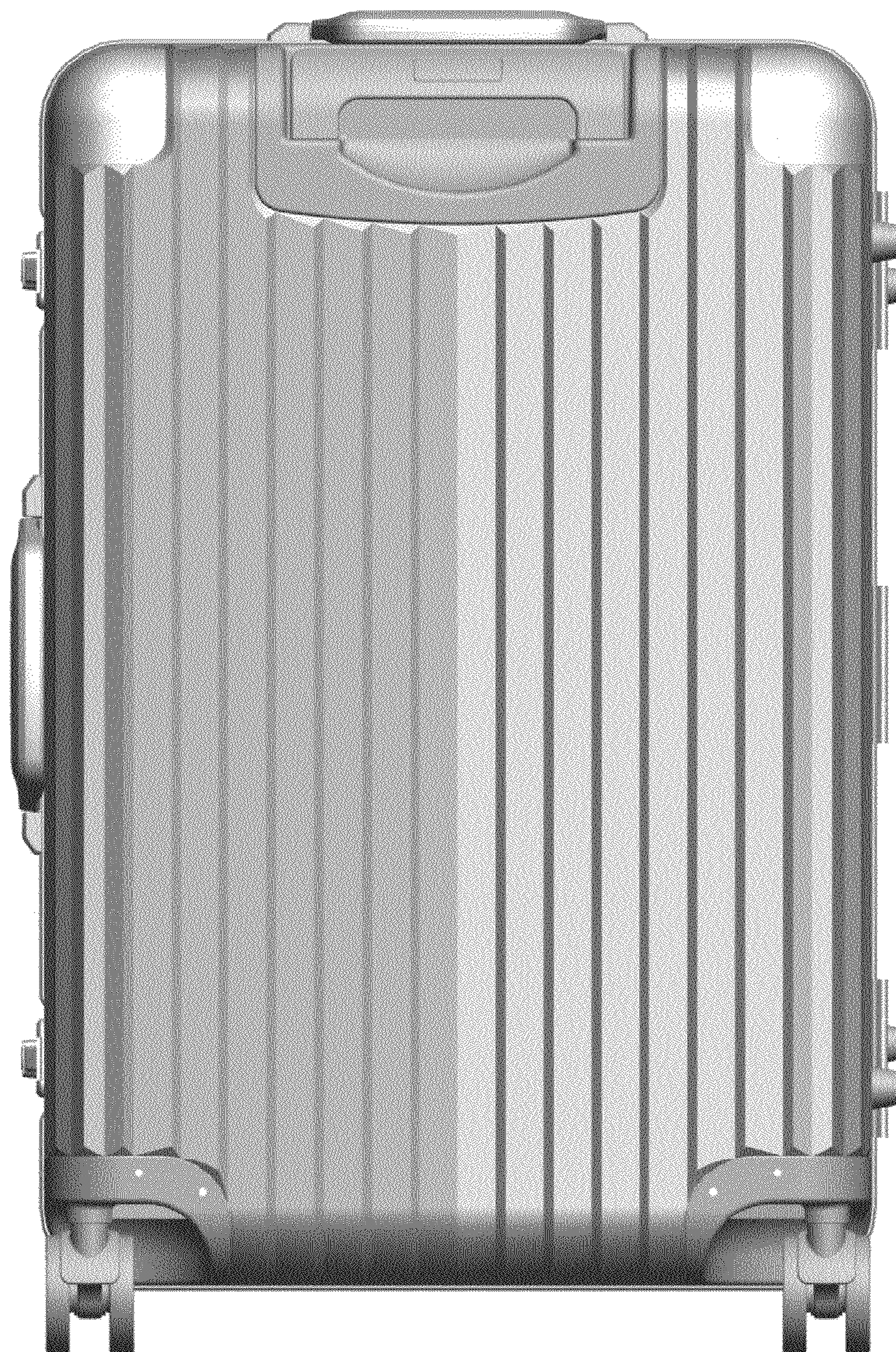


Fig. 2

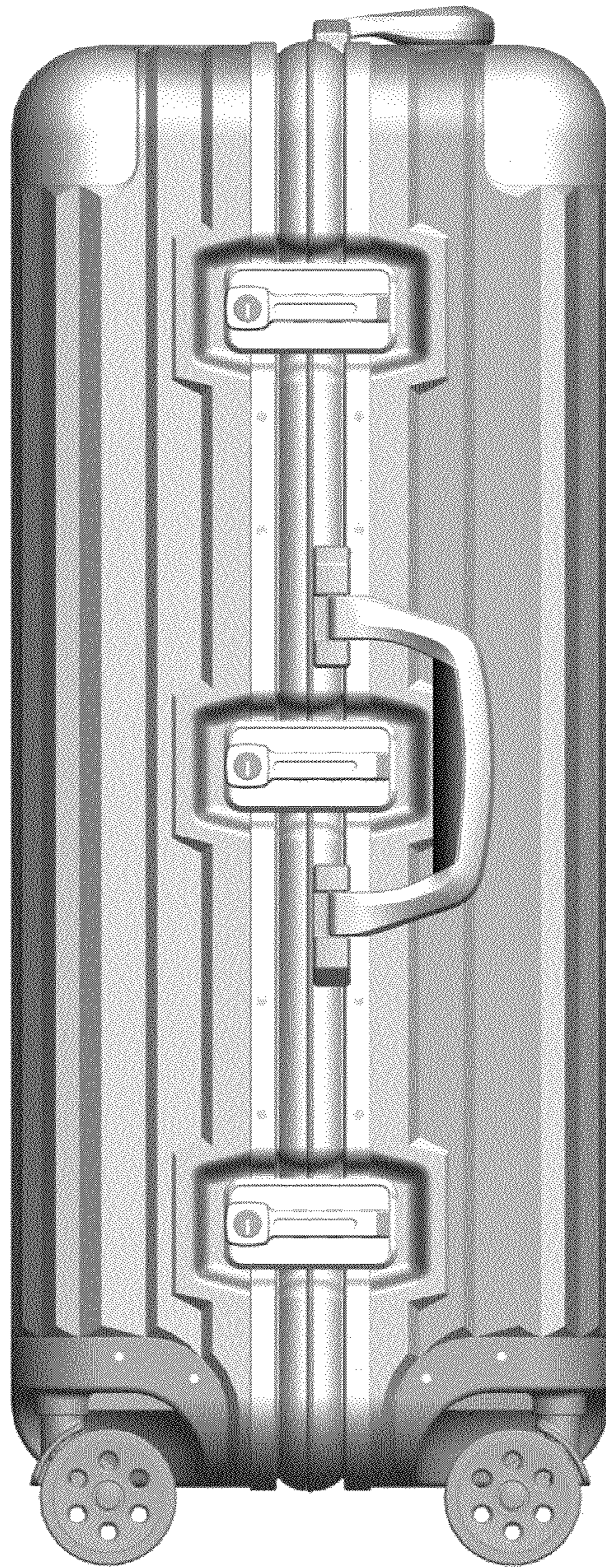


Fig. 3

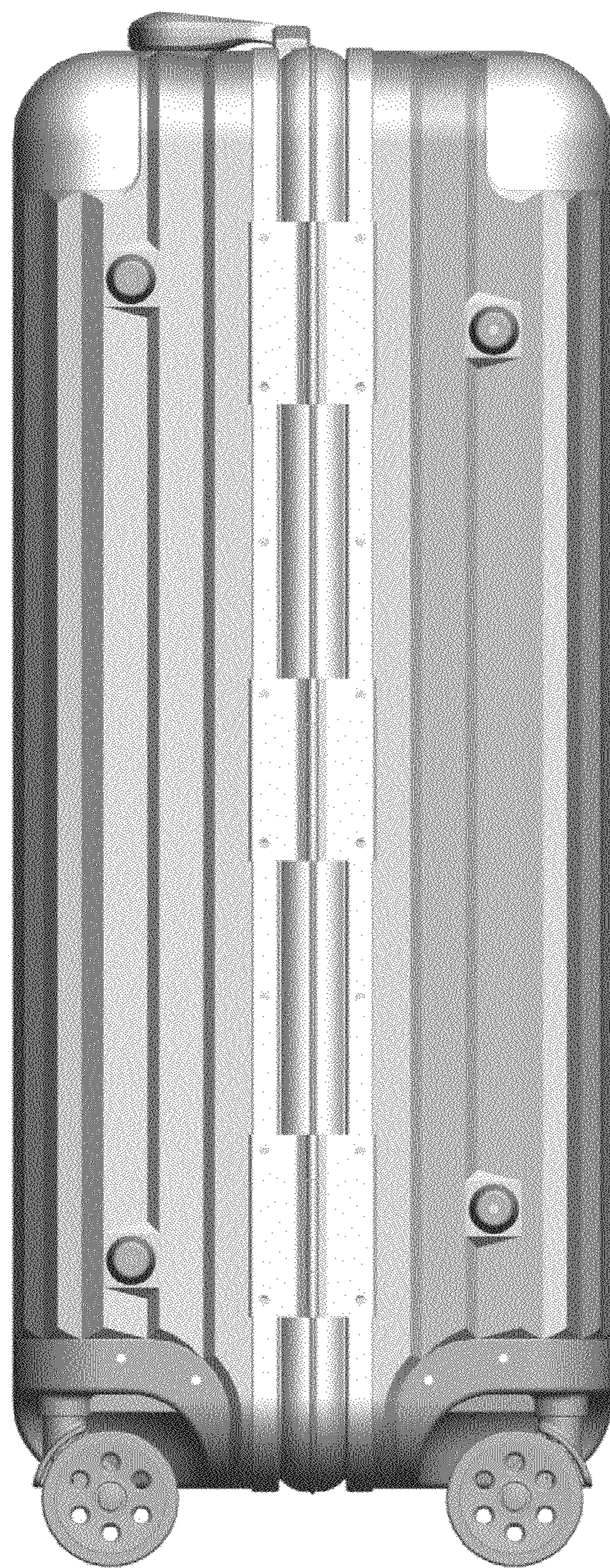


Fig. 4

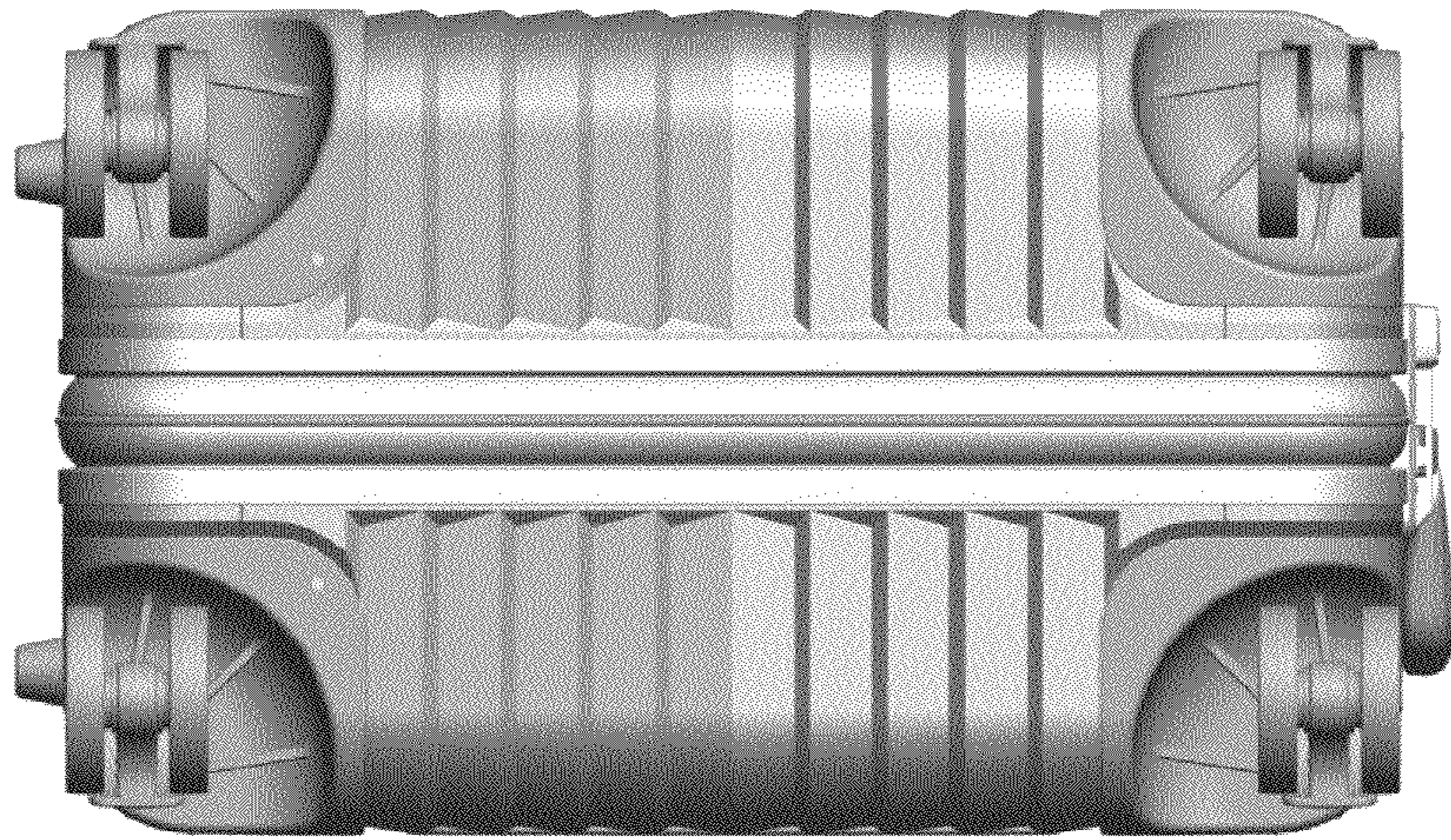


Fig. 5

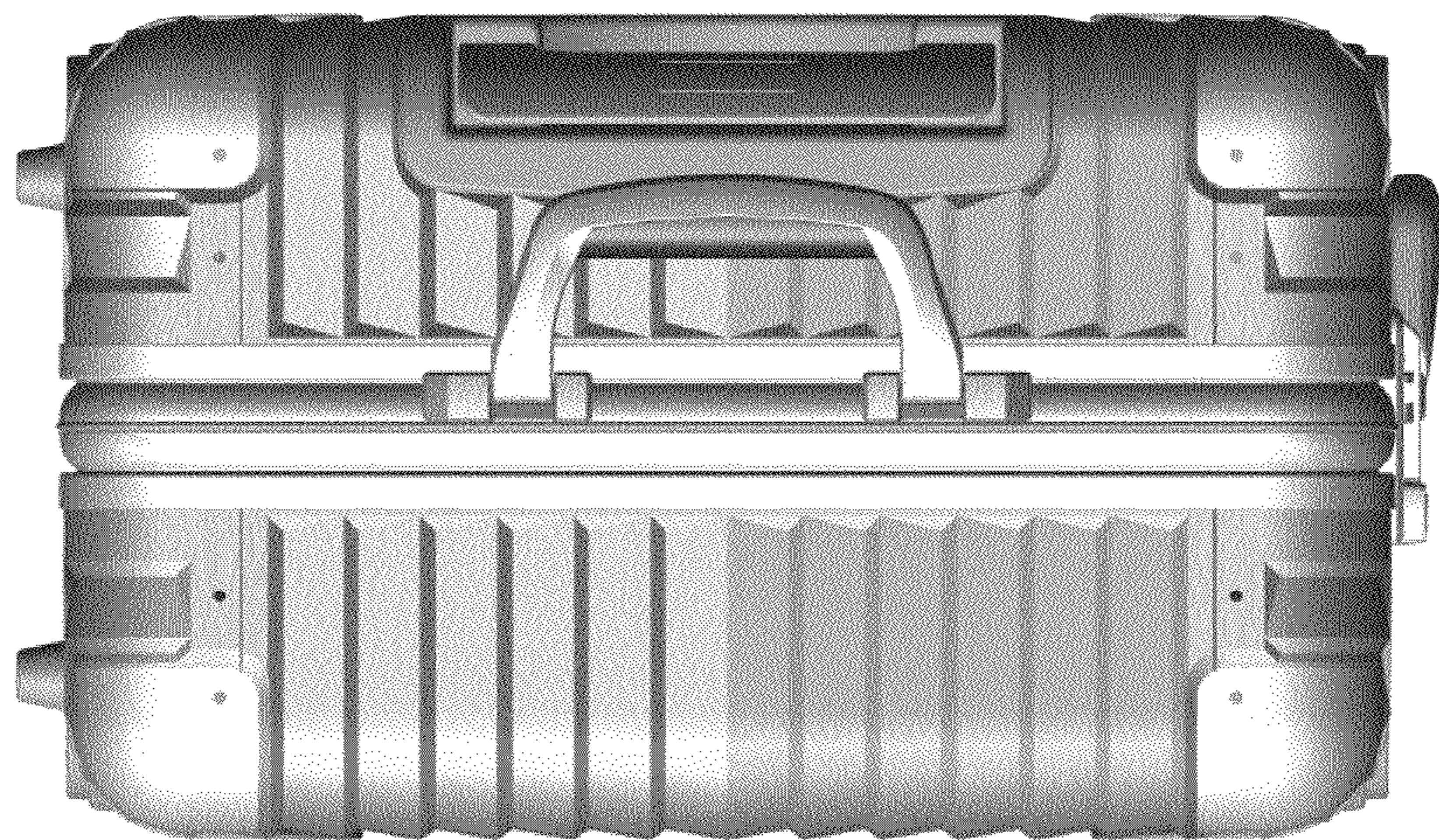


Fig. 6



Fig. 7

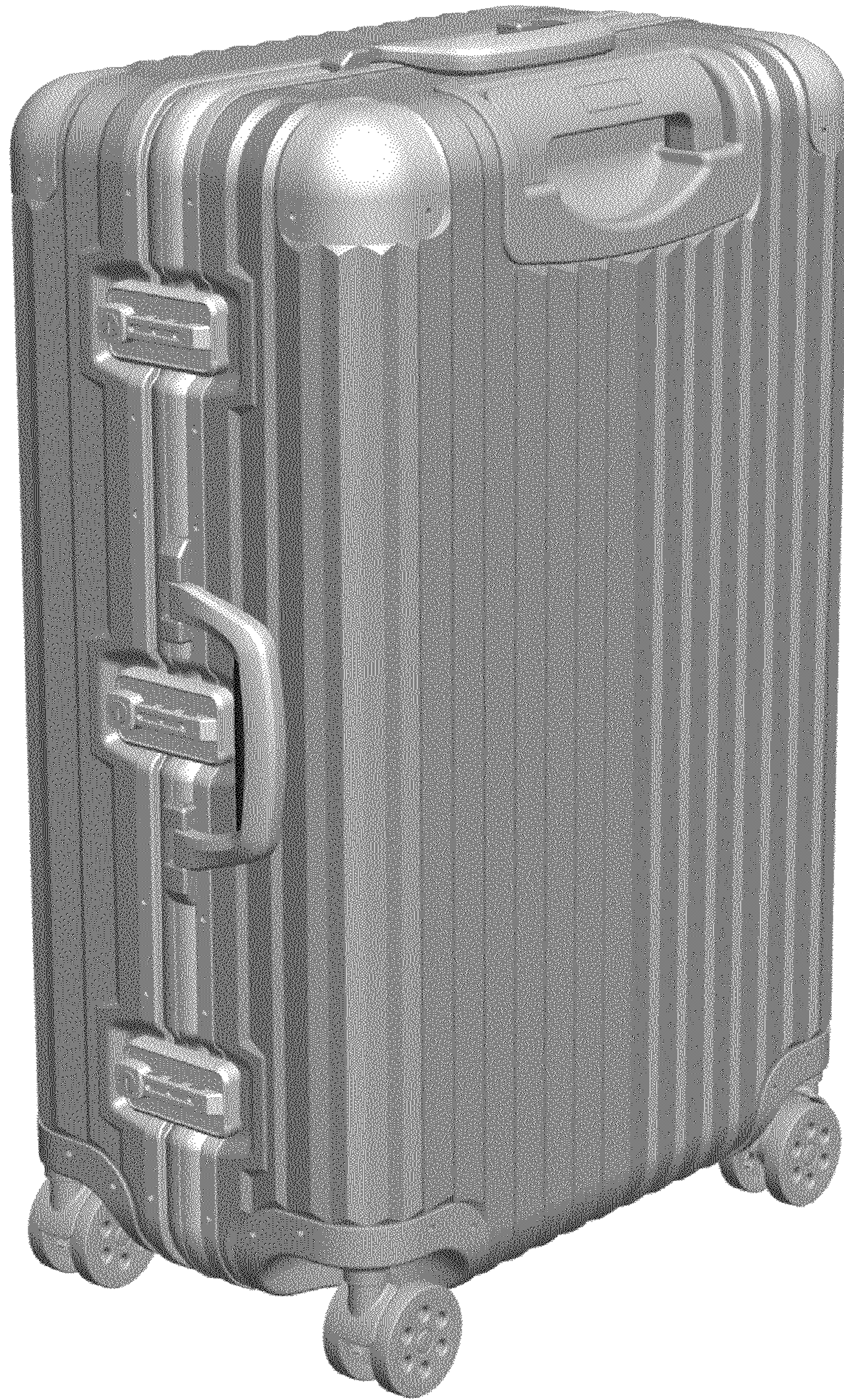


Fig. 8



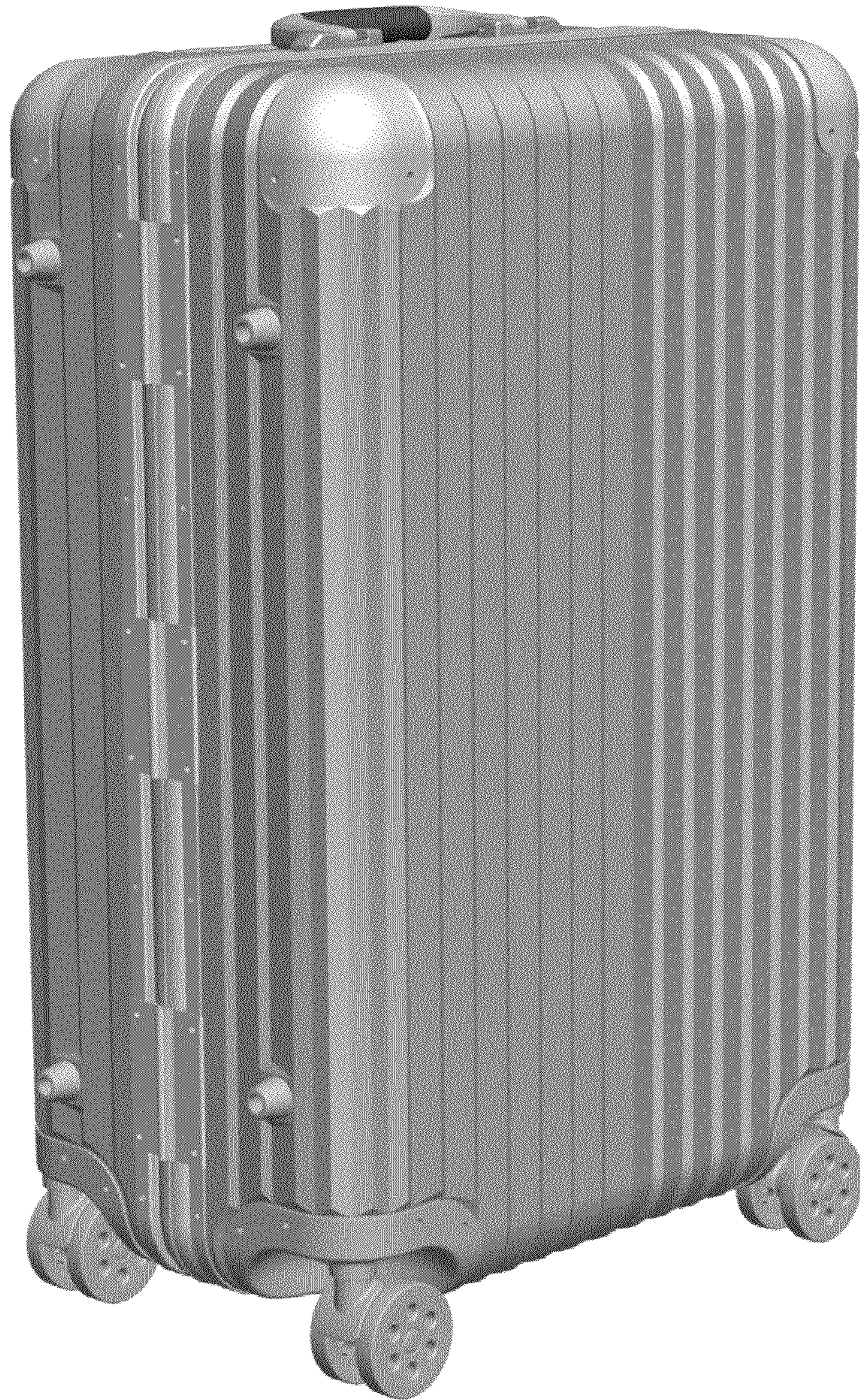


Fig. 9

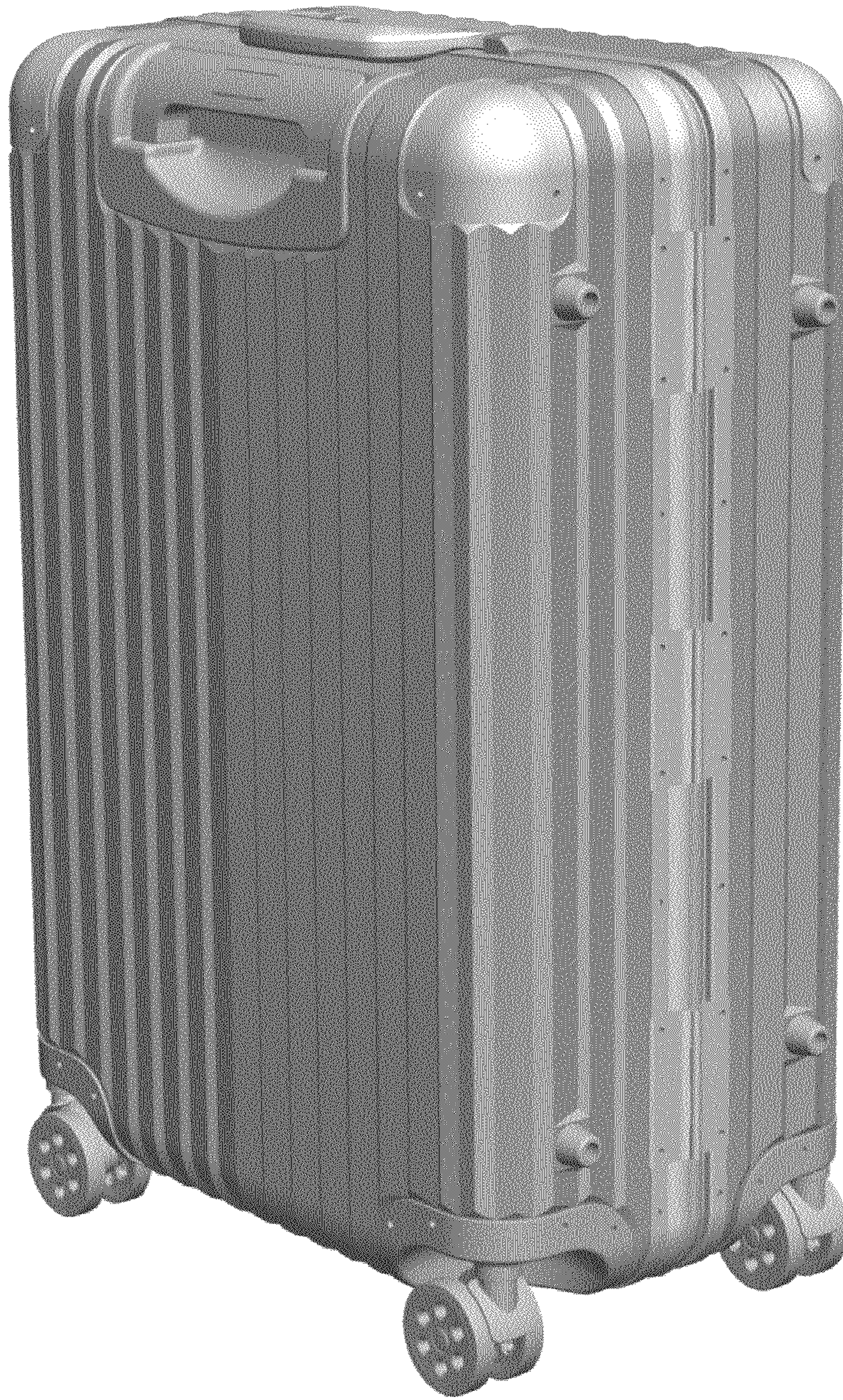


Fig. 10