

US00D740554S

(12) **United States Design Patent**  
**Collins et al.**

(10) **Patent No.:** **US D740,554 S**  
(45) **Date of Patent:** **\*\* \*Oct. 13, 2015**

(54) **HOCKEY BAG**

(71) Applicant: **Grit Inc.**, Tottenham (CA)

(72) Inventors: **Gregory James Collins**, Loretto (CA);  
**Matthew Gordon Thomas Hughson**,  
Vaughn (CA); **Erin Dawn Dobo**, Barrie  
(CA)

(73) Assignee: **GRIT, INC.**, Tottenham, Ontario (CA)

(\*) Notice: This patent is subject to a terminal disclaimer.

(\*\*) Term: **14 Years**

(21) Appl. No.: **29/475,597**

(22) Filed: **Dec. 4, 2013**

(30) **Foreign Application Priority Data**

Jun. 5, 2013 (CA) ..... 151520

(51) **LOC (10) Cl.** ..... **03-01**

(52) **U.S. Cl.**  
USPC ..... **D3/254**

(58) **Field of Classification Search**  
USPC ..... 150/100, 103, 104, 118; 206/315.1,  
206/579; 220/4.21, 810, 825; D3/254, 255,  
D3/261, 272, 273, 276, 279, 294, 295, 301,  
D3/904  
CPC ..... A63B 71/0036; A63B 71/0045  
See application file for complete search history.

(56) **References Cited**

**U.S. PATENT DOCUMENTS**

2,115,308 A 4/1938 Koch  
D174,914 S \* 6/1955 McGee ..... D3/295  
D174,915 S \* 6/1955 McGee ..... D3/295

2,710,084 A 6/1955 Braverman  
2,718,943 A 9/1955 Braverman  
D202,602 S \* 10/1965 Armbruster ..... D3/263  
D252,535 S \* 7/1979 MacEvoy ..... D3/284  
D293,212 S \* 12/1987 Zuliani ..... D9/418  
5,118,130 A 6/1992 Kaltz  
5,139,308 A 8/1992 Ziman  
D333,038 S \* 2/1993 Collins ..... D3/254  
5,439,241 A 8/1995 Nelson

(Continued)

**FOREIGN PATENT DOCUMENTS**

CA 1226567 9/1987  
CA 1319939 7/1993

(Continued)

*Primary Examiner* — Cathron Brooks

*Assistant Examiner* — Ethiene Salgado-Rodriguez

(74) *Attorney, Agent, or Firm* — Wood, Herron & Evans,  
LLP

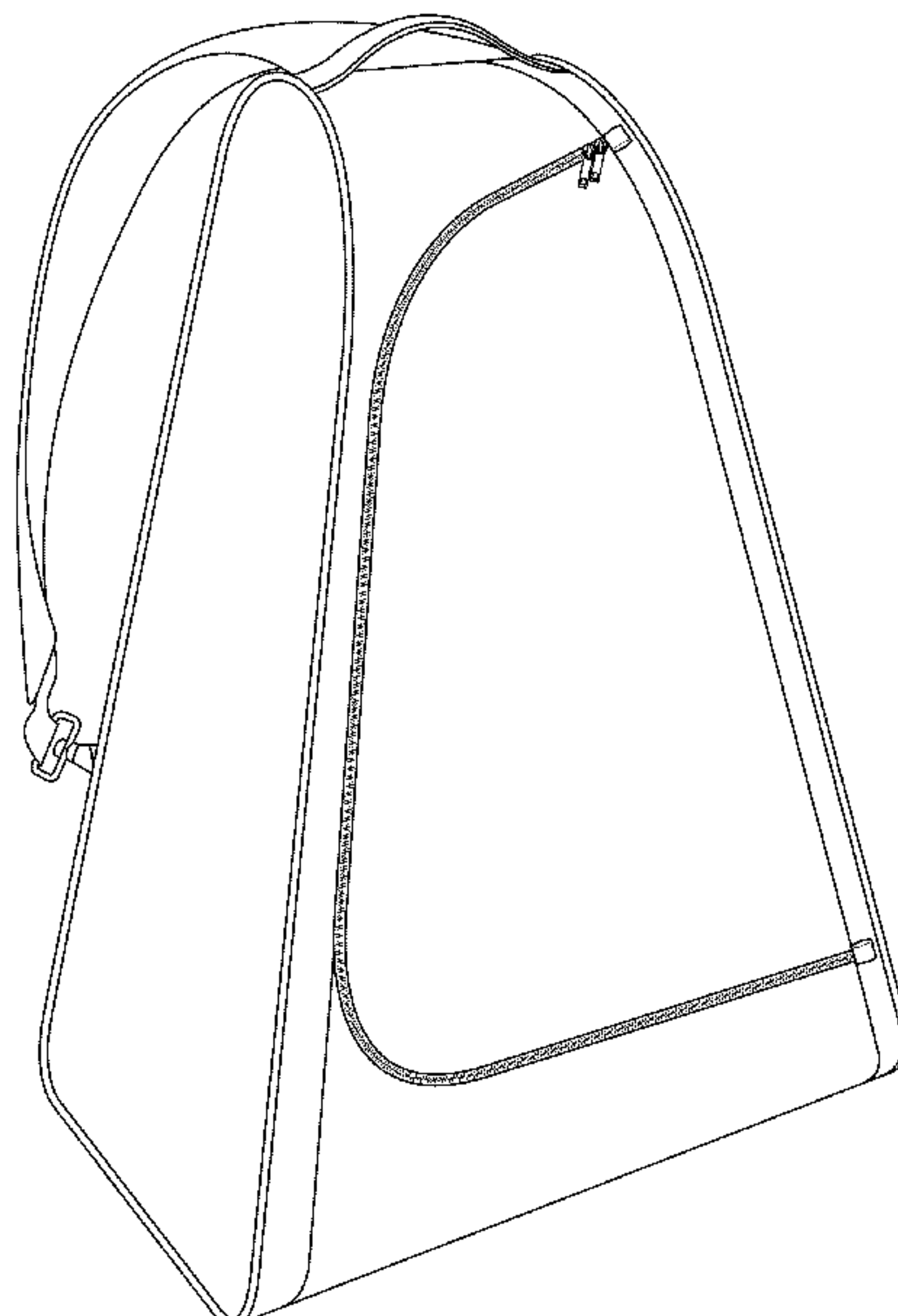
(57) **CLAIM**

The ornamental design for a hockey bag, as shown and described.

**DESCRIPTION**

FIG. 1 is a front perspective view of the hockey bag in accordance with the present design;  
FIG. 2 is a rear perspective view of the hockey bag of FIG. 1;  
FIG. 3 is a front view of the hockey bag of FIG. 1;  
FIG. 4 is a left side view of the hockey bag of FIG. 1;  
FIG. 5 is a rear view of the hockey bag of FIG. 1;  
FIG. 6 is a right side view of the hockey bag of FIG. 1;  
FIG. 7 is a top plan view of the hockey bag of FIG. 1;  
FIG. 8 is a bottom plan view of the hockey bag of FIG. 1; and,  
FIG. 9 is a front perspective view of the hockey bag of FIG. 1 in an open position.

**1 Claim, 9 Drawing Sheets**



(56)

References Cited

U.S. PATENT DOCUMENTS

5,476,184 A 12/1995 Hill  
 5,499,760 A 3/1996 Pielocik  
 D374,773 S 10/1996 Domotor  
 5,797,612 A 8/1998 Buccioni  
 5,918,710 A 7/1999 Sher  
 6,062,357 A 5/2000 Bogert  
 6,264,078 B1 7/2001 Bilang  
 D459,883 S 7/2002 Worrell et al.  
 6,443,274 B1 9/2002 Klamm  
 D471,013 S 3/2003 Peterson  
 6,763,940 B1 7/2004 Lai  
 6,874,797 B2 4/2005 Gardenour  
 6,932,427 B2 8/2005 Tamura  
 6,997,507 B2 2/2006 Rhee  
 D525,790 S \* 8/2006 Heroux ..... D3/301  
 D548,461 S \* 8/2007 Bettua et al. .... D3/279  
 D550,964 S \* 9/2007 Bettua et al. .... D3/321  
 7,500,547 B2 \* 3/2009 Bettua et al. .... 190/115  
 D601,342 S \* 10/2009 Choi ..... D3/279  
 7,644,810 B2 \* 1/2010 Duncan ..... 190/8  
 7,757,912 B1 7/2010 Fabro  
 D640,054 S 6/2011 Custer

D662,319 S 6/2012 Collins et al.  
 8,453,812 B2 6/2013 Xiao  
 D699,440 S \* 2/2014 Leblanc ..... D3/321  
 D699,441 S \* 2/2014 Leblanc ..... D3/321  
 D699,442 S \* 2/2014 Leblanc ..... D3/321  
 2004/0065518 A1 4/2004 Hoberman  
 2005/0034948 A1 2/2005 Tiramani  
 2007/0227922 A1 \* 10/2007 Chappell et al. .... 206/315.1  
 2008/0023282 A1 1/2008 Duncan  
 2008/0252029 A1 \* 10/2008 Walcott ..... 280/47.131  
 2009/0183961 A1 7/2009 Whalen et al.  
 2009/0255770 A1 10/2009 Slater  
 2011/0162931 A1 7/2011 Collins et al.

FOREIGN PATENT DOCUMENTS

CA 1321568 8/1993  
 CA 2145612 8/1999  
 CA 2327764 6/2002  
 CA 117465 S 1/2008  
 CA 2581636 9/2008  
 CN 201164134 12/2008  
 WO 2008021793 2/2008  
 WO 2011082468 7/2011

\* cited by examiner

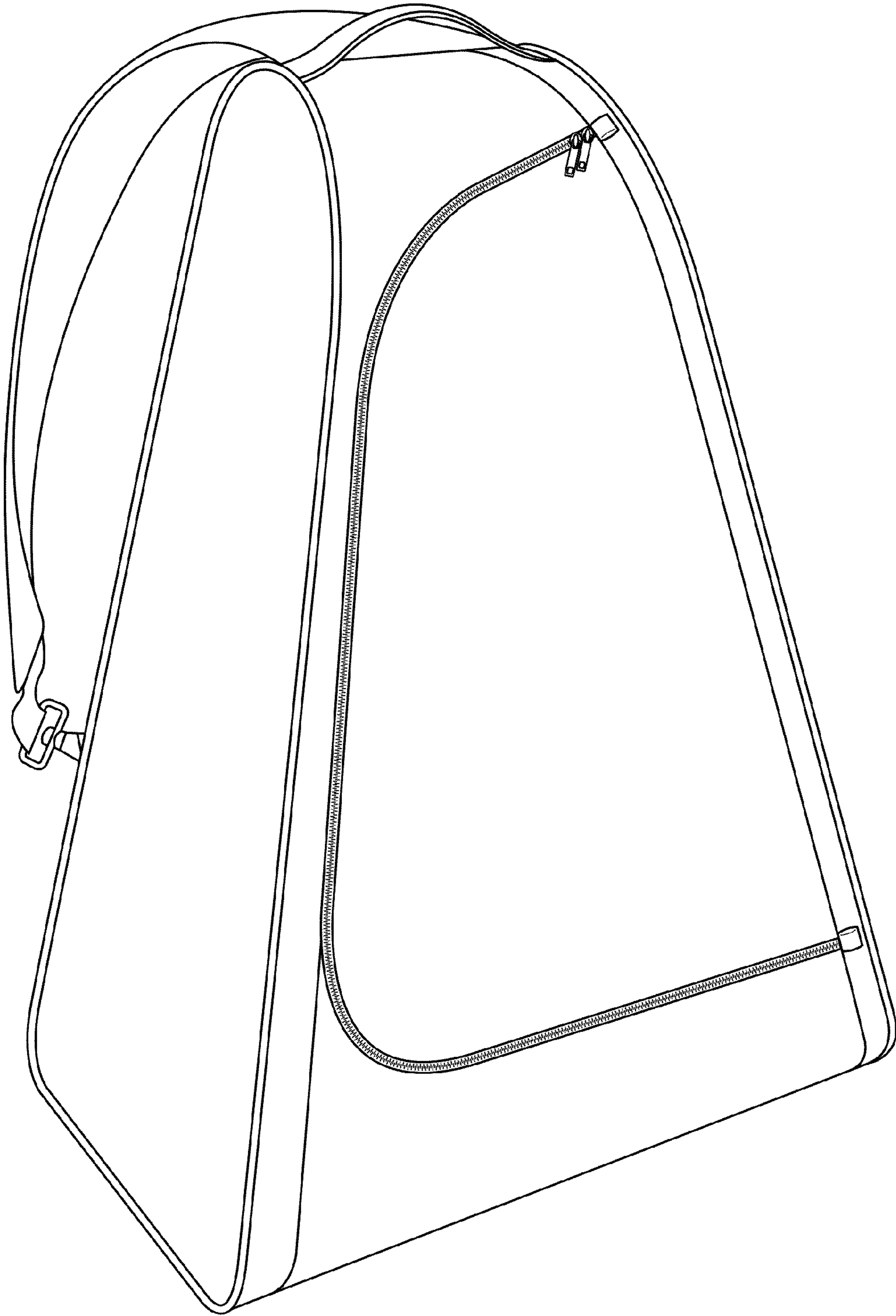


Figure 1

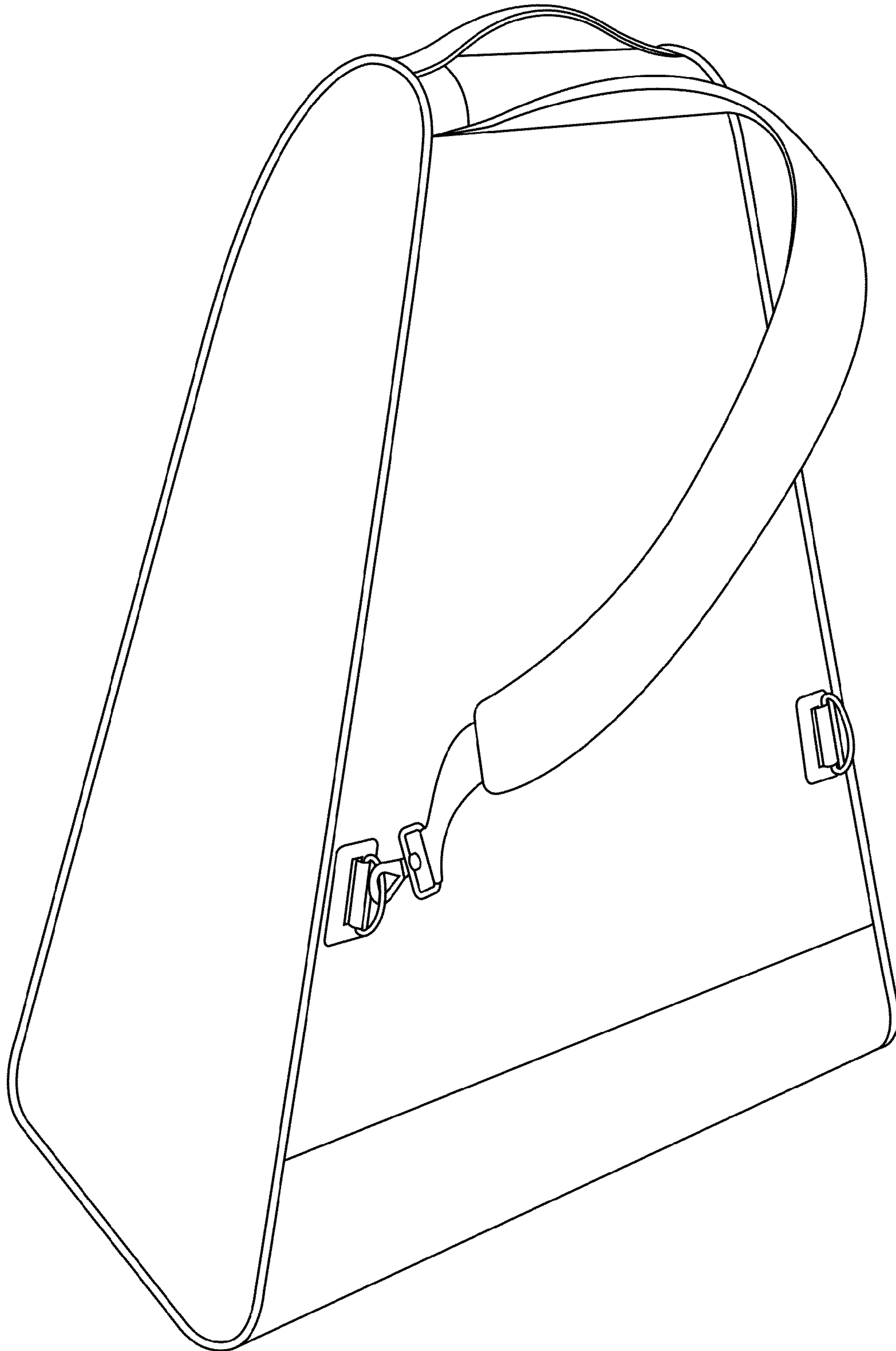


Figure 2



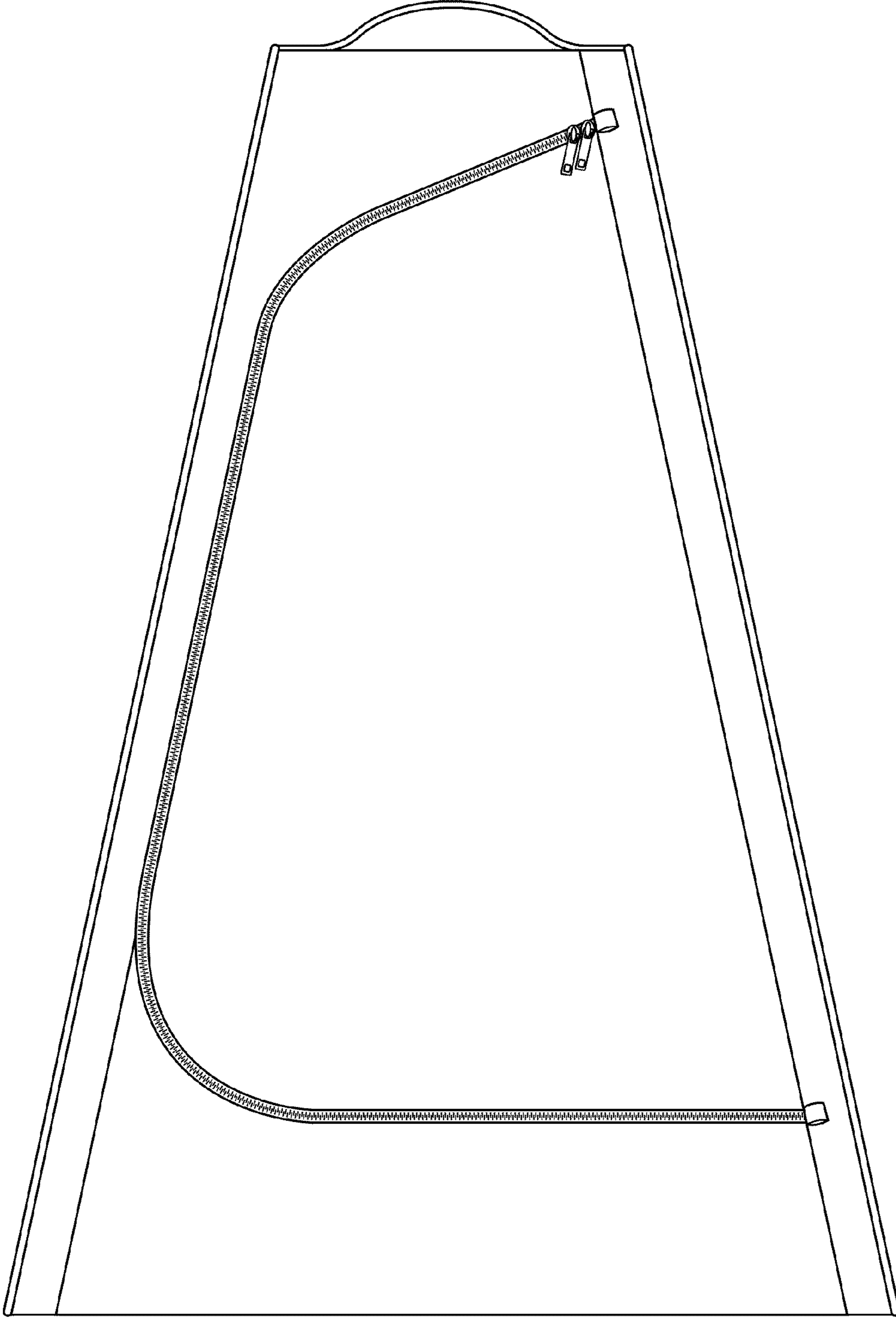


Figure 3

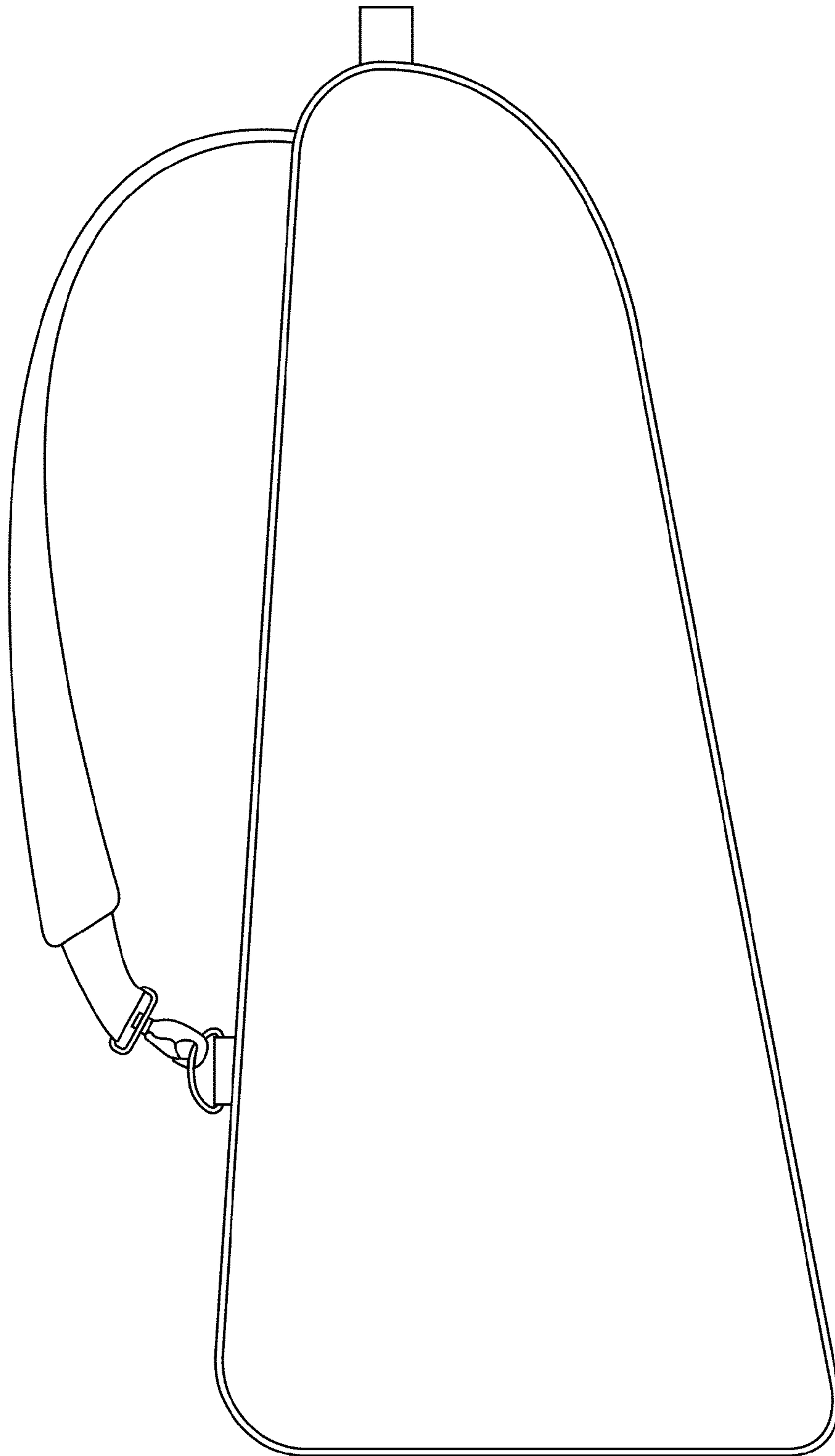


Figure 4

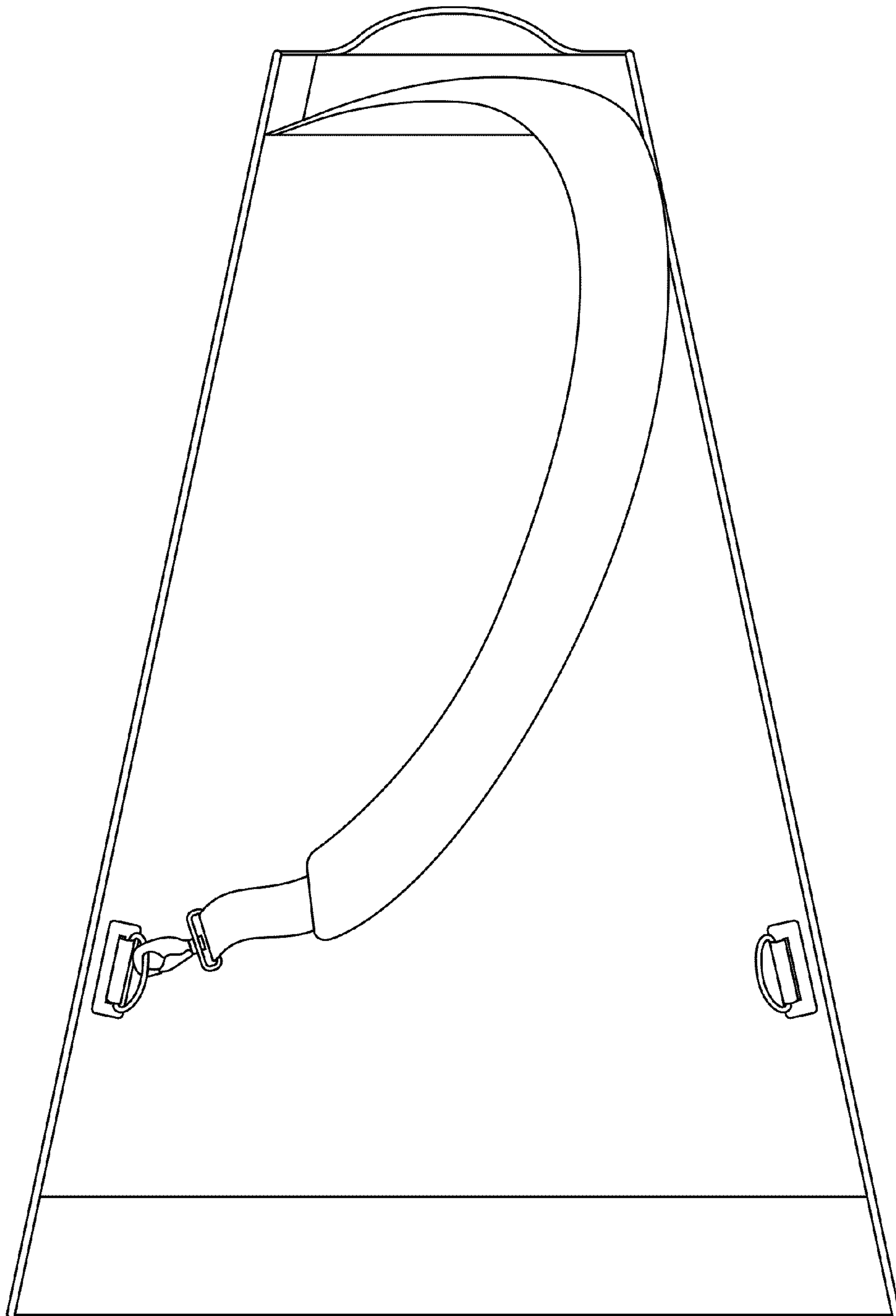


Figure 5

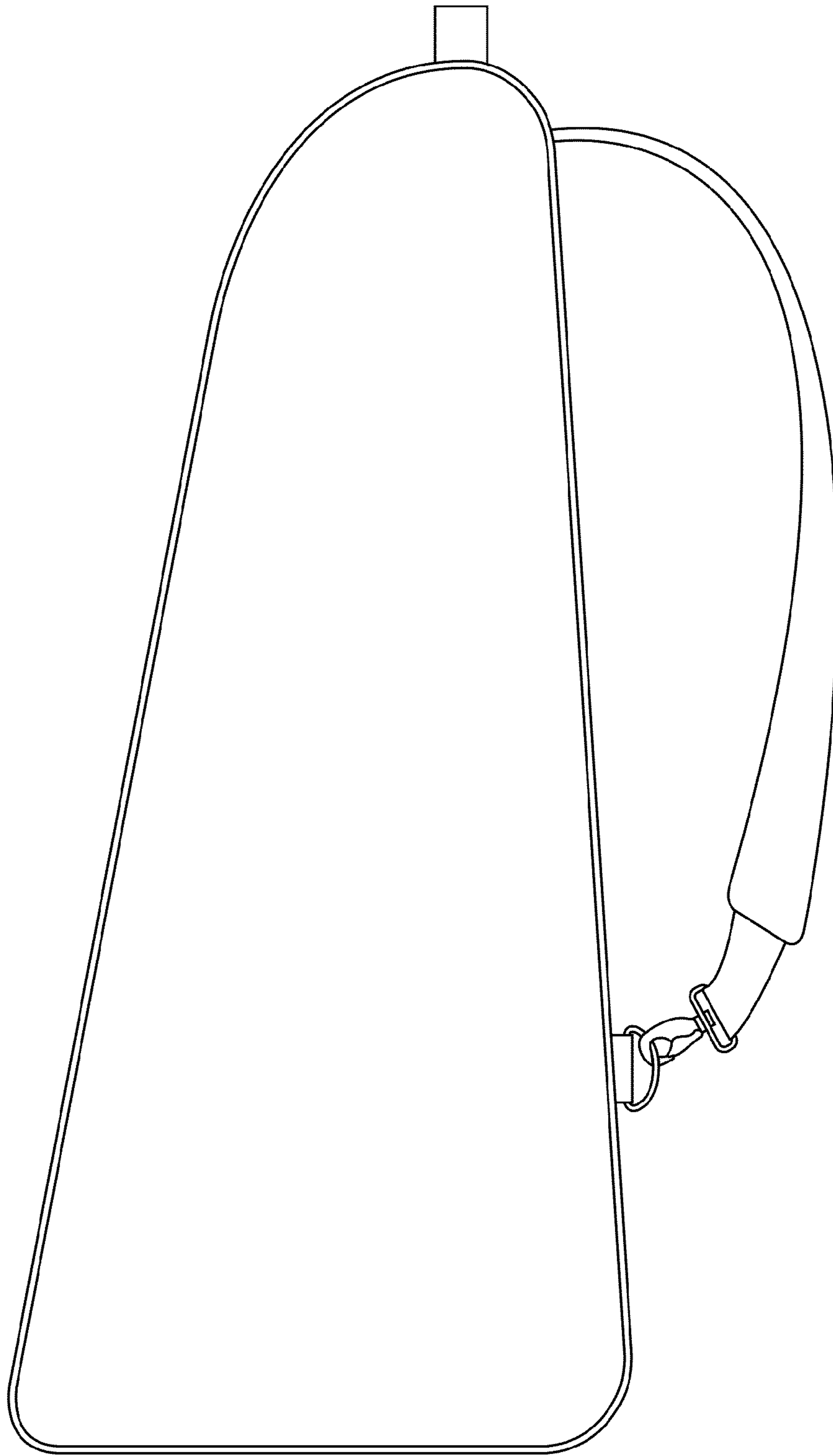


Figure 6



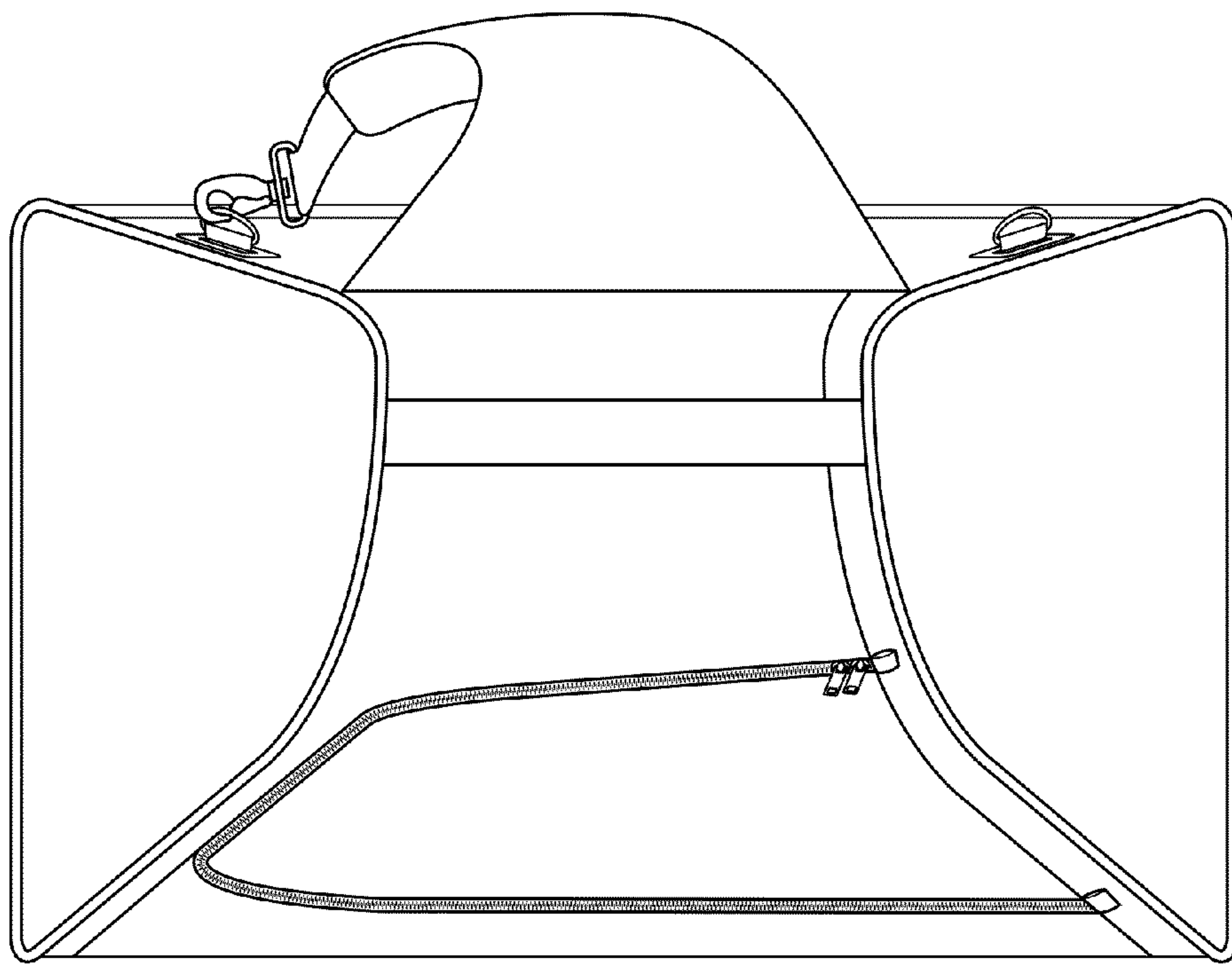


Figure 7



Figure 8

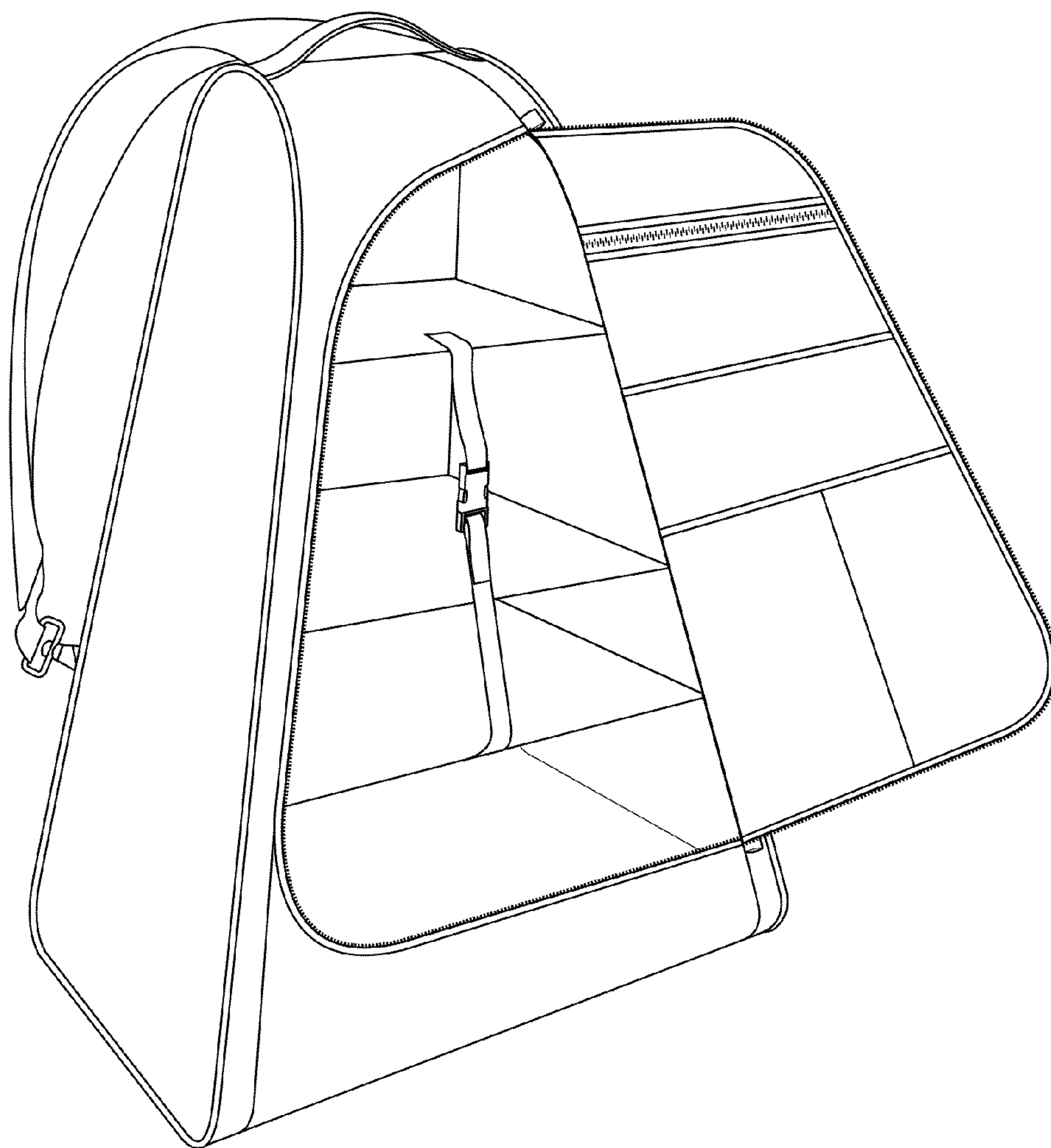


Figure 9