



US00D740553S

(12) **United States Design Patent**
Zhou

(10) **Patent No.:** **US D740,553 S**
(45) **Date of Patent:** **** Oct. 13, 2015**

(54) **BAG**

(71) Applicant: **Shenzhen Lepow Creative Technology Co., Ltd.**, Shenzhen, Guangdong (CN)

(72) Inventor: **Chaoran Zhou**, Shenzhen (CN)

(73) Assignee: **SHENZHEN LEPOW CREATIVE TECHNOLOGY CO., LTD.**, Shenzhen (CN)

(**) Term: **14 Years**

(21) Appl. No.: **29/483,836**

(22) Filed: **Mar. 4, 2014**

(30) **Foreign Application Priority Data**

Dec. 23, 2013 (CN) 2013 3 0641278

(51) **LOC (10) Cl.** **03-01**

(52) **U.S. Cl.**
USPC **D3/232**

(58) **Field of Classification Search**
USPC D3/232-233, 240-243, 245-246
CPC A45C 3/06; A45C 1/024
See application file for complete search history.

(56) **References Cited**

U.S. PATENT DOCUMENTS

D564,226 S * 3/2008 Morelli D3/246
D579,657 S * 11/2008 Hermann D3/246
D673,772 S * 1/2013 Munson et al. D3/246

* cited by examiner

Primary Examiner — Holly Baynham

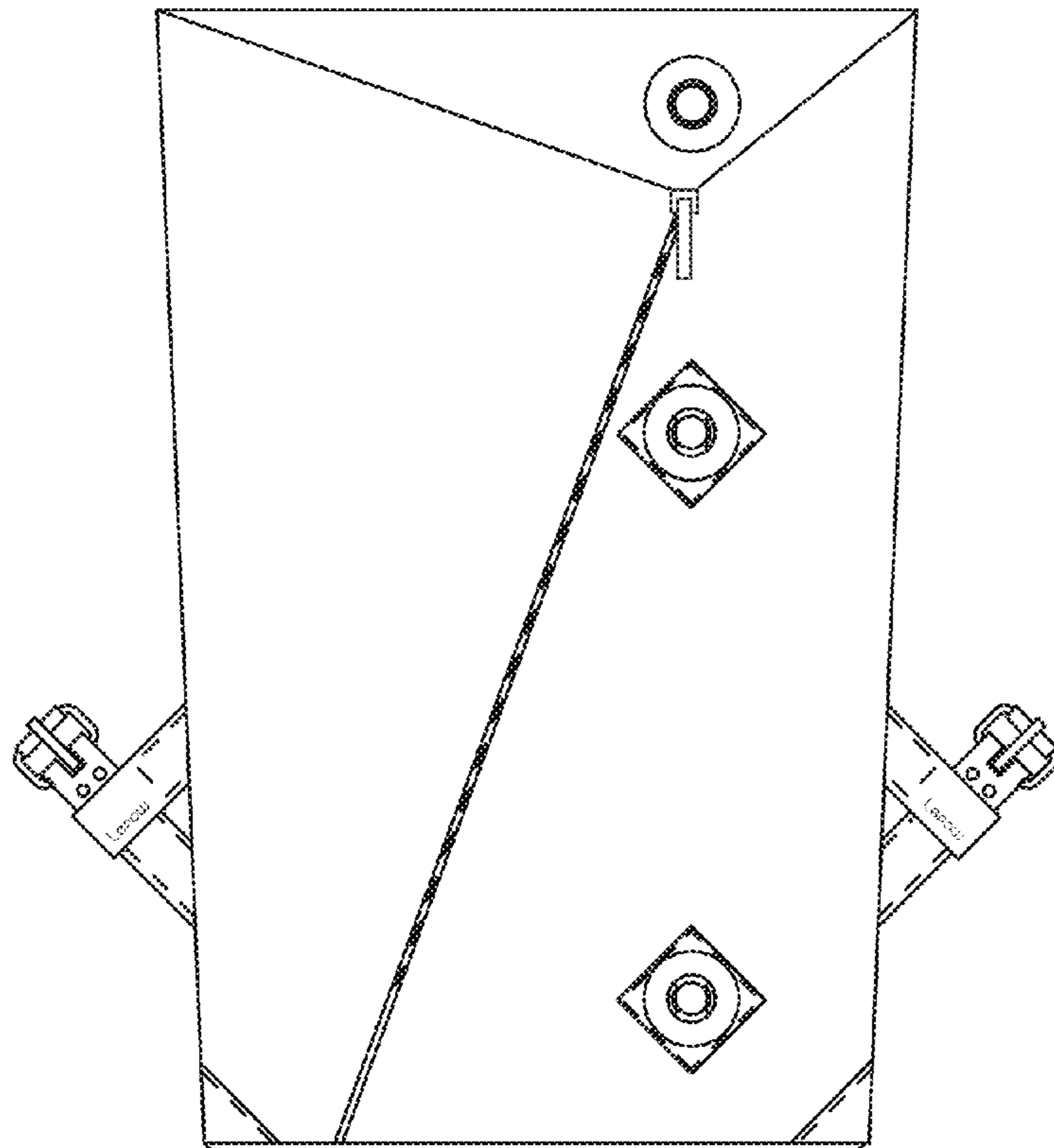
(57) **CLAIM**

The ornamental design for a bag, as shown and described.

DESCRIPTION

FIG. 1 is a front view of a bag showing my new design;
FIG. 2 is a rear view thereof;
FIG. 3 is a left view thereof;
FIG. 4 is a right view thereof;
FIG. 5 is a front view of the bag showing the first variant state;
FIG. 6 is a front view of the bag showing the second variant state; and,
FIG. 7 is a front view of a part of the bag.
The broken lines showing stitching are part of the claimed design.

1 Claim, 7 Drawing Sheets



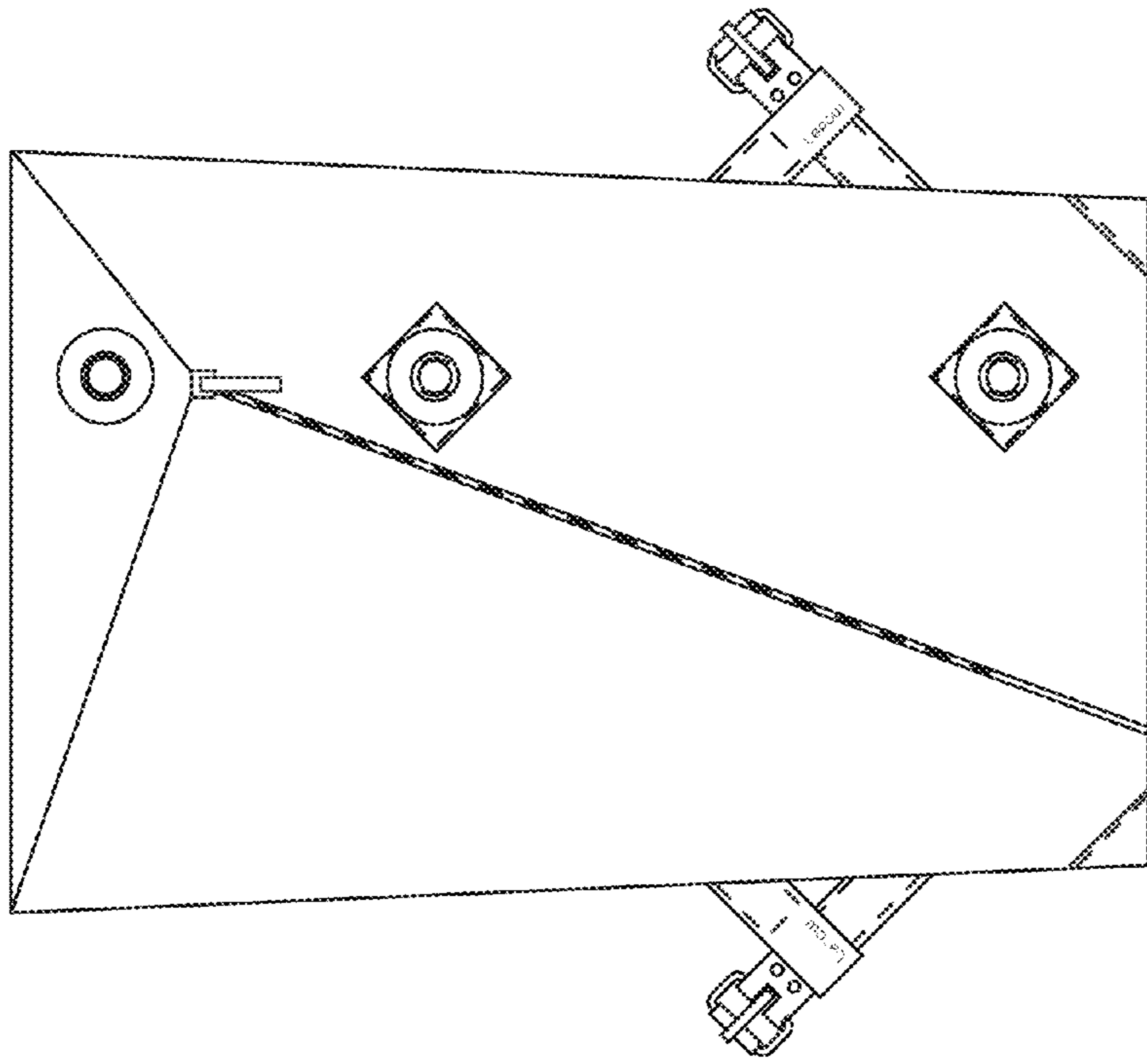


Fig. 1

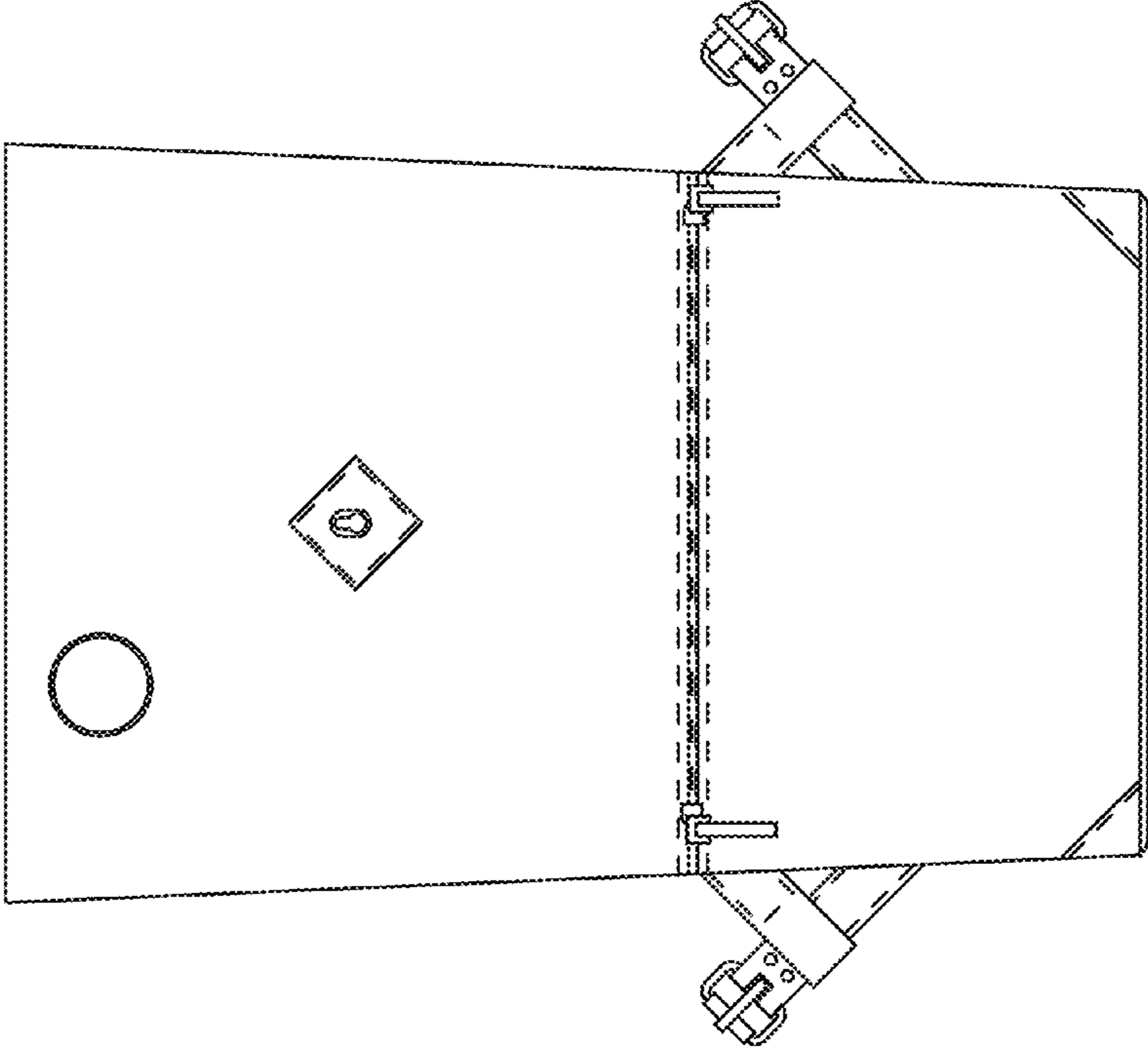


Fig. 2

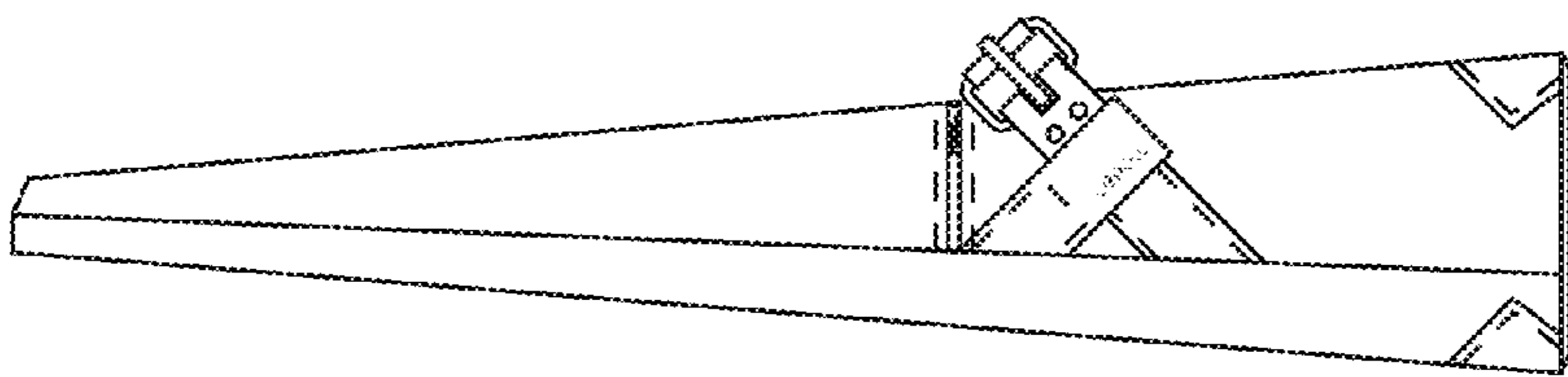


Fig. 3

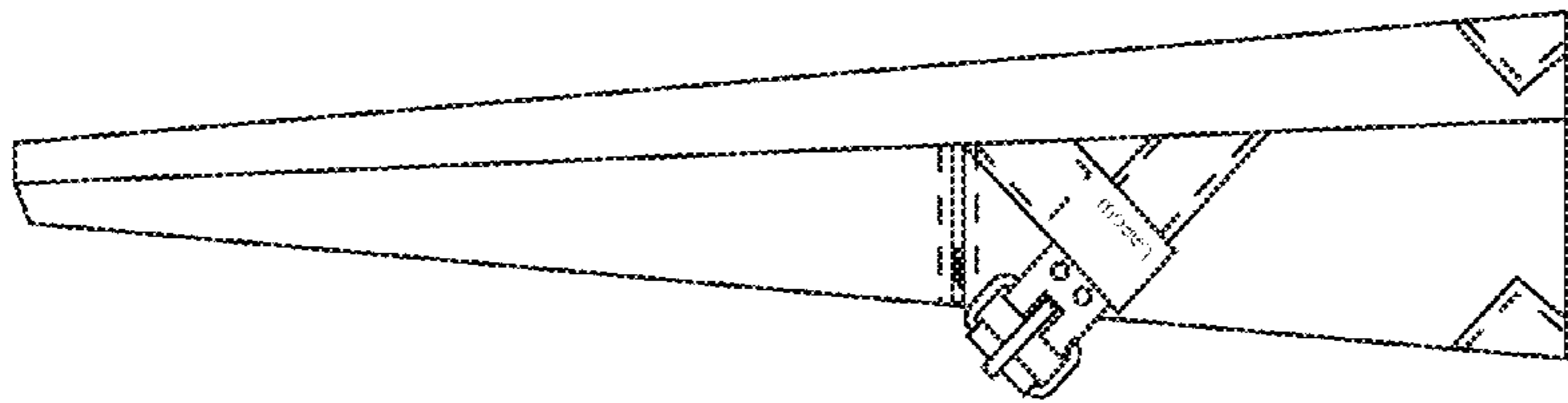


Fig. 4

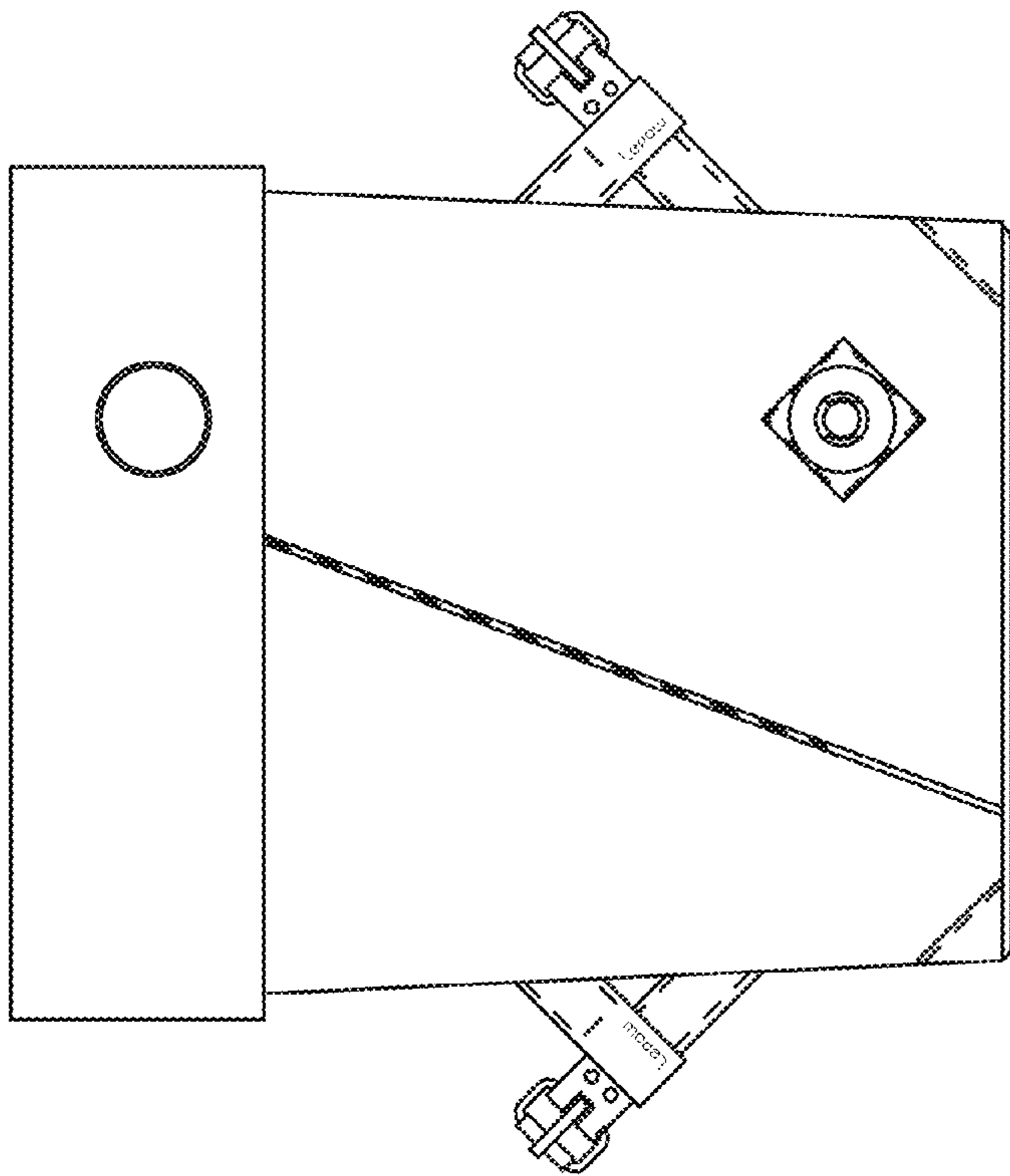


Fig. 5

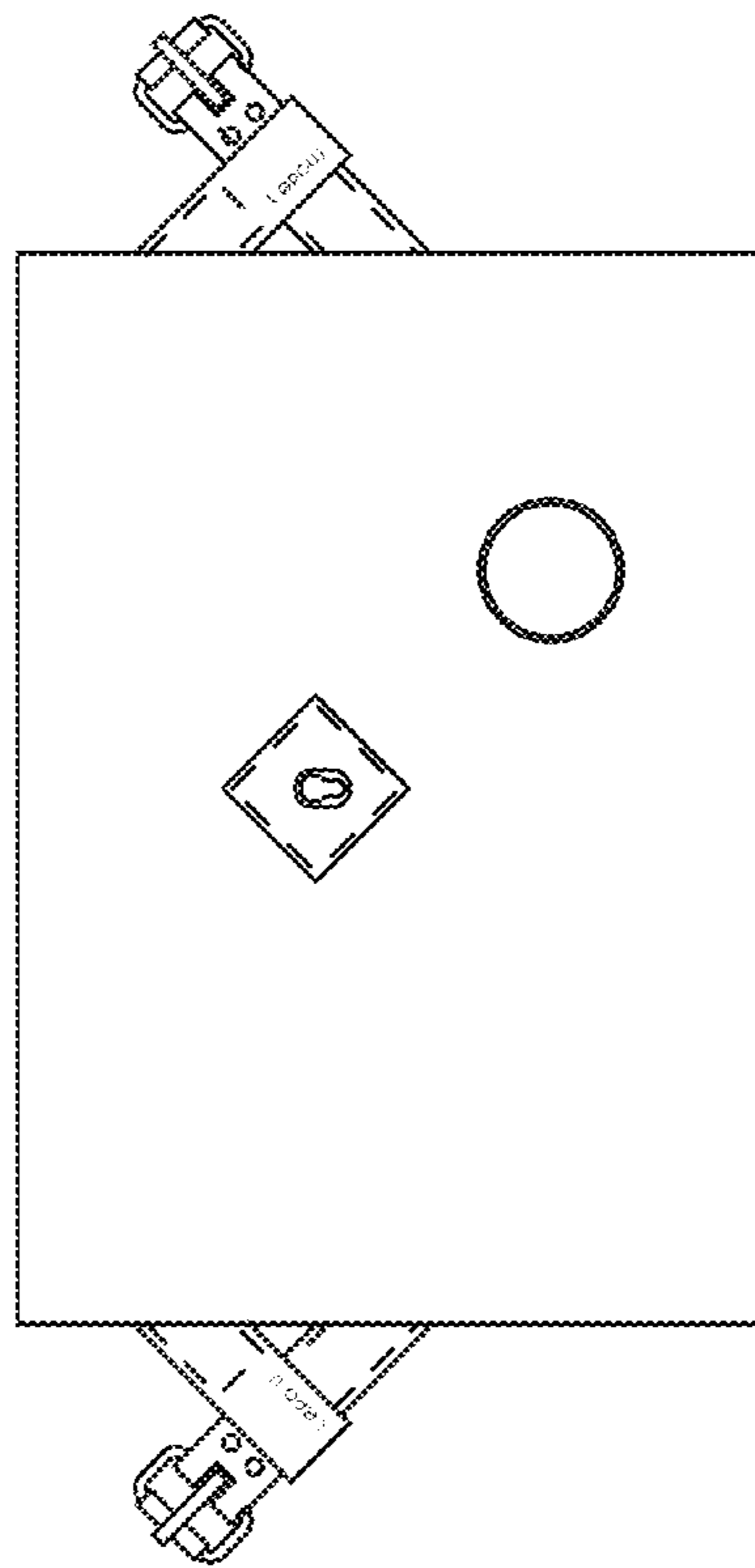


Fig. 6

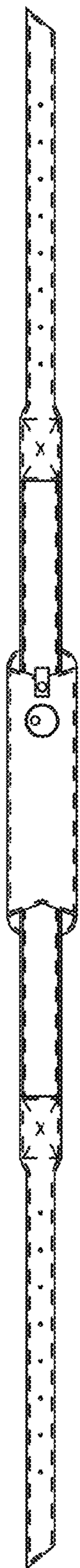


Fig. 7