



US00D740548S

(12) **United States Design Patent**
Hassler et al.

(10) **Patent No.:** **US D740,548 S**

(45) **Date of Patent:** **** Oct. 13, 2015**

(54) **FOLDING PHONE ORGANIZER**

(71) Applicants: **Mathew Ryan Hassler**, San Antonio, TX (US); **David Arredondo**, San Antonio, TX (US)

(72) Inventors: **Mathew Ryan Hassler**, San Antonio, TX (US); **David Arredondo**, San Antonio, TX (US)

(73) Assignee: **Rooster Products International, Inc.**, San Antonio, TX (US)

(**) Term: **14 Years**

(21) Appl. No.: **29/494,396**

(22) Filed: **Jun. 19, 2014**

(51) **LOC (10) Cl.** **03-01**

(52) **U.S. Cl.**
USPC **D3/218**

(58) **Field of Classification Search**

USPC D3/218, 227, 232–233, 239, 240–243, D3/249, 303, 318, 323, 327, 328, 900

CPC A45F 2200/0516; A45C 2011/002; A45C 11/182; A45C 13/00; A45C 13/38; A45C 15/00; A45C 1/00; A45C 2001/104; A45C 7/0045; B42D 17/00; B42D 3/12; B42D 5/006

See application file for complete search history.

(56) **References Cited**

U.S. PATENT DOCUMENTS

D266,884 S * 11/1982 Bauman D3/249
6,082,530 A * 7/2000 Wang-Chen 206/45.24
D433,565 S * 11/2000 Kojoori D3/249

(Continued)

OTHER PUBLICATIONS

A folding wallet organizer with a pocket for a cell phone with similar features found found at www.dhgate.com.

Primary Examiner — Robert M Spear

Assistant Examiner — Eliza Bennett-Hattan

(74) *Attorney, Agent, or Firm* — John C. Cave; Gunn, Lee & Cave, P.C.

(57) **CLAIM**

The ornamental design for a folding phone organizer, as shown and described.

DESCRIPTION

FIG. 1 is a perspective view (as seen from the front view) of the folding phone organizer.

FIG. 2 is a front view thereof.

FIG. 3 is a back view thereof.

FIG. 4 is a left side view thereof.

FIG. 5 is a right side view thereof.

FIG. 6 is a top view thereof.

FIG. 7 is a bottom view thereof.

FIG. 8 is a perspective view (as seen from the back view) thereof.

FIG. 9 is a perspective view (as seen from the front view, with the closure hook unfastened and the phone holder pocket open to pocket organizers) thereof.

FIG. 10 is a back view (unfastened with the phone holder pocket open) thereof.

FIG. 11 is a front view (unfastened with the phone holder pocket open) thereof.

FIG. 12 is a right side view (unfastened with the phone holder pocket open) thereof.

FIG. 13 is a left side view (unfastened with the phone holder pocket open) thereof.

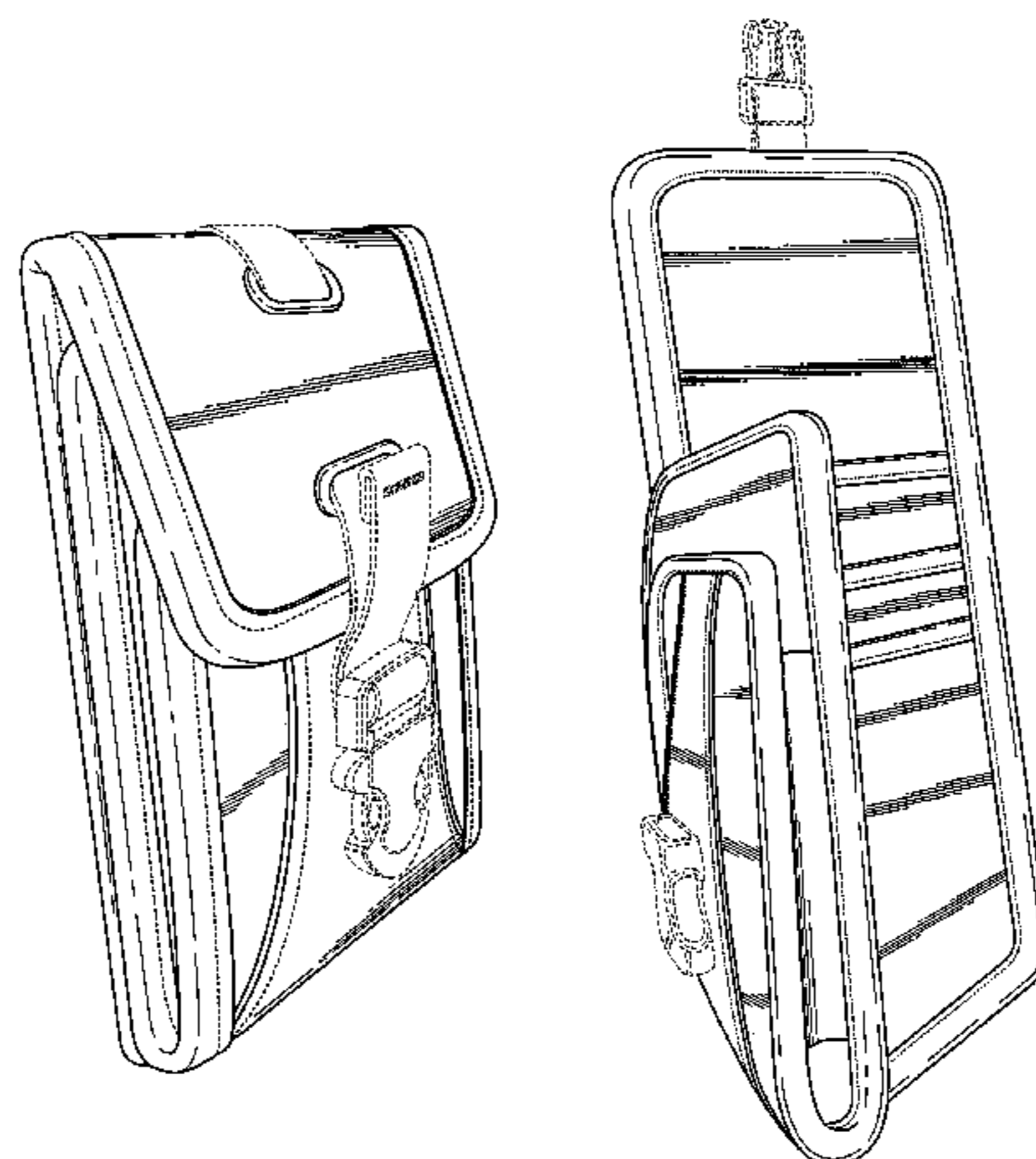
FIG. 14 is a top view (unfastened with the phone holder pocket open) thereof.

FIG. 15 is a bottom view (unfastened with the phone holder pocket open) thereof; and,

FIG. 16 is a perspective view (unfastened with the phone holder pocket open) thereof.

The small broken or dashed lines are used in the drawings to show the environment related to the claimed design and form no part of the claimed design. The more bold larger dashed lines are used to show stitching which is part of the environment and form no part of the claimed features. The longer irregular dashed lines are used to show curvature.

1 Claim, 13 Drawing Sheets



(56)

References Cited

U.S. PATENT DOCUMENTS

D448,566 S * 10/2001 Hassett et al. D3/303
D495,873 S * 9/2004 Badillo et al. D3/218
D518,959 S * 4/2006 Gonzalez D3/318
D522,750 S * 6/2006 Girod D3/303

D532,199 S * 11/2006 Balchunas et al. D3/303
D533,341 S * 12/2006 Infanti et al. D3/218
D551,446 S * 9/2007 Elnekaveh D3/249
D681,949 S * 5/2013 Kershenstein D3/249
D694,012 S * 11/2013 Hyzdu D3/303
D705,539 S * 5/2014 Del Solar et al. D3/249

* cited by examiner

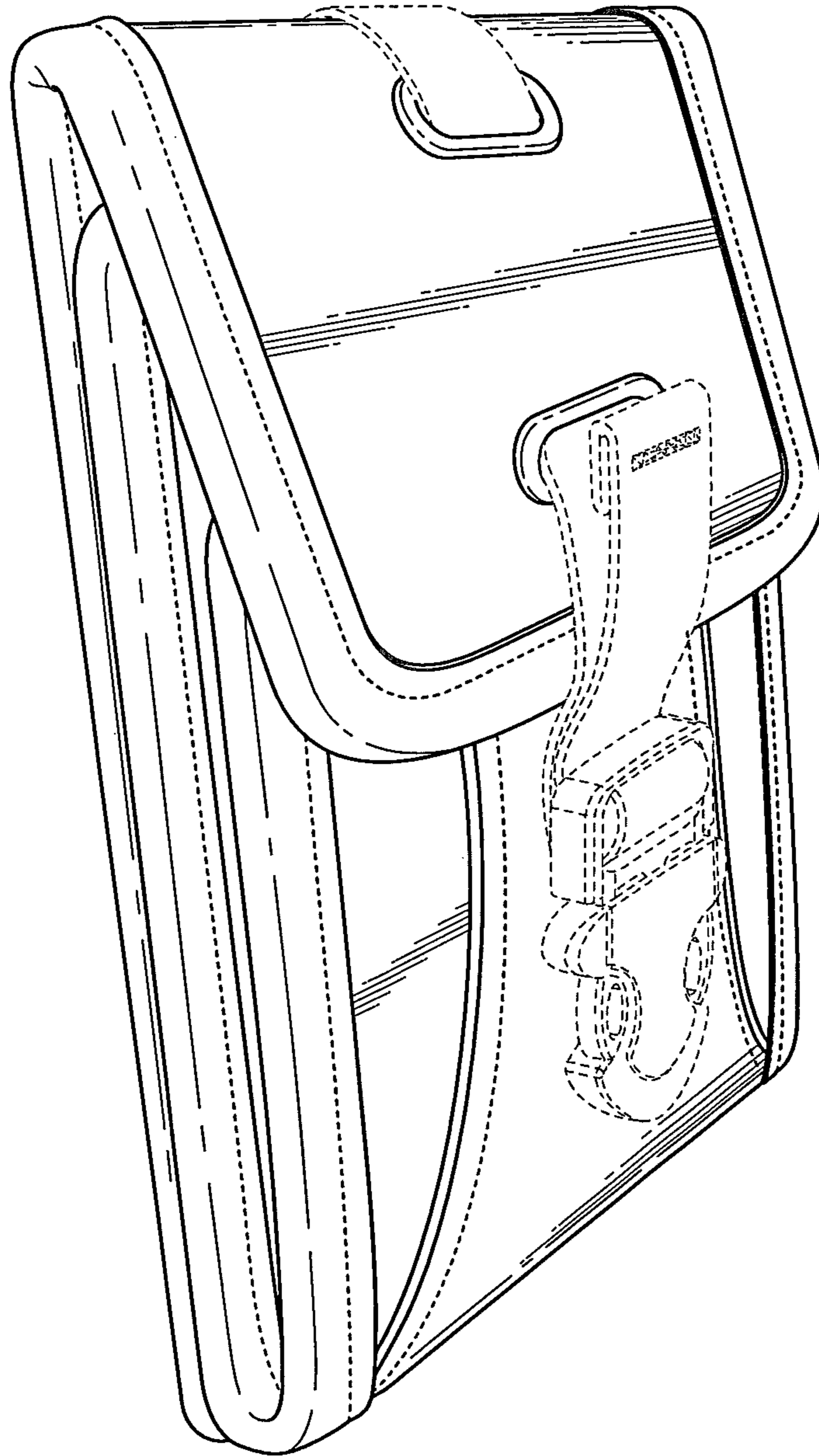


FIG. 1

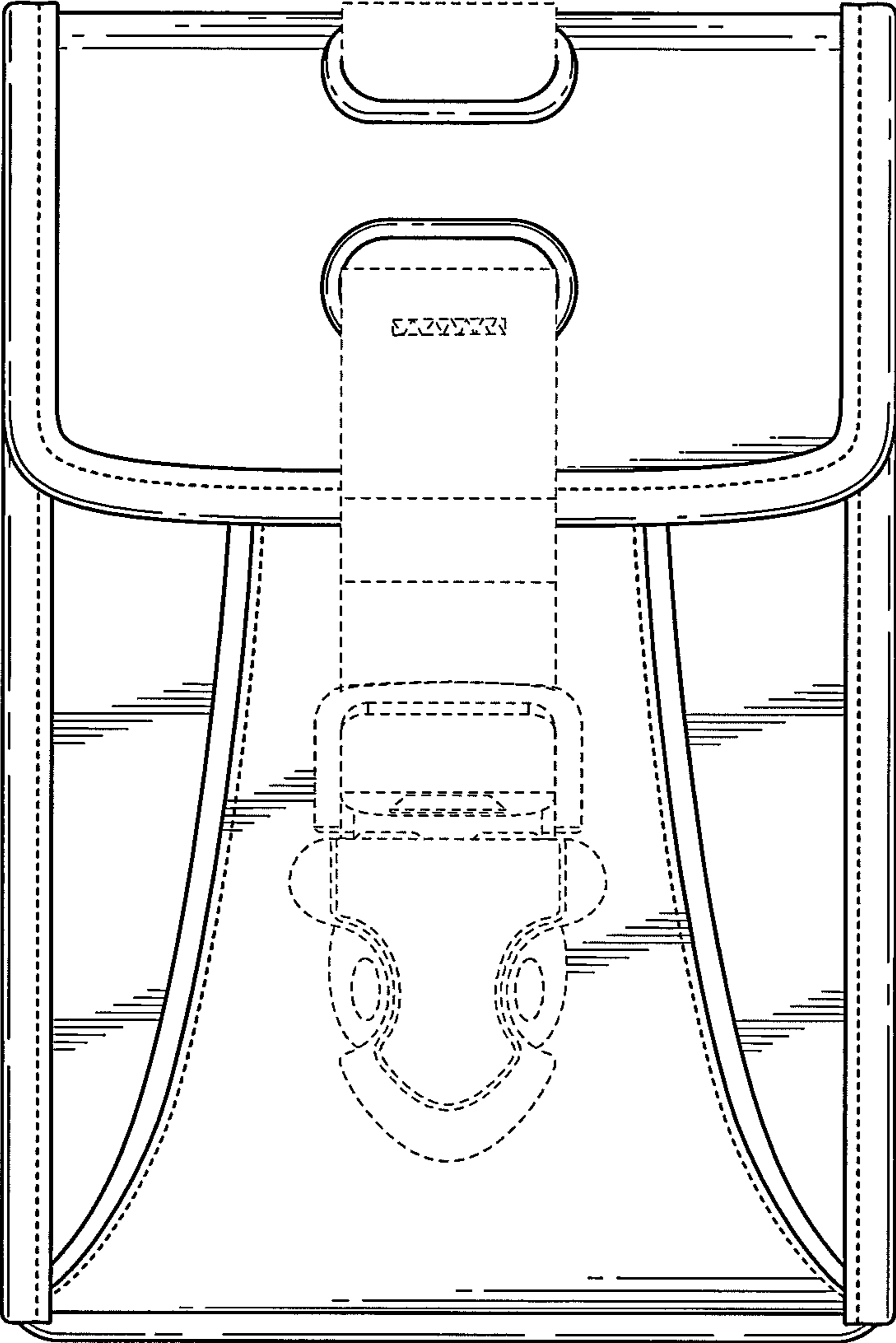


FIG. 2

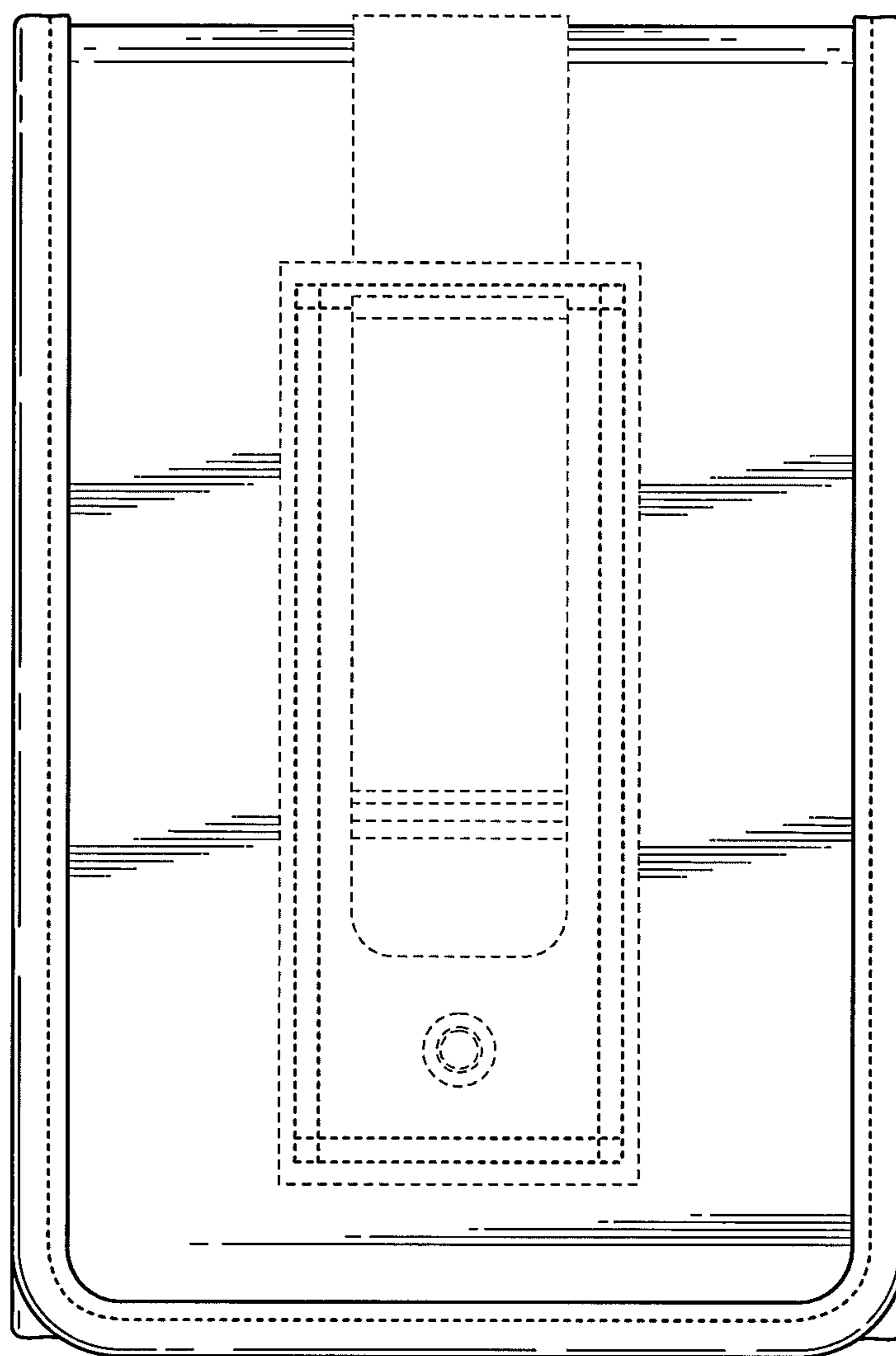


FIG. 3

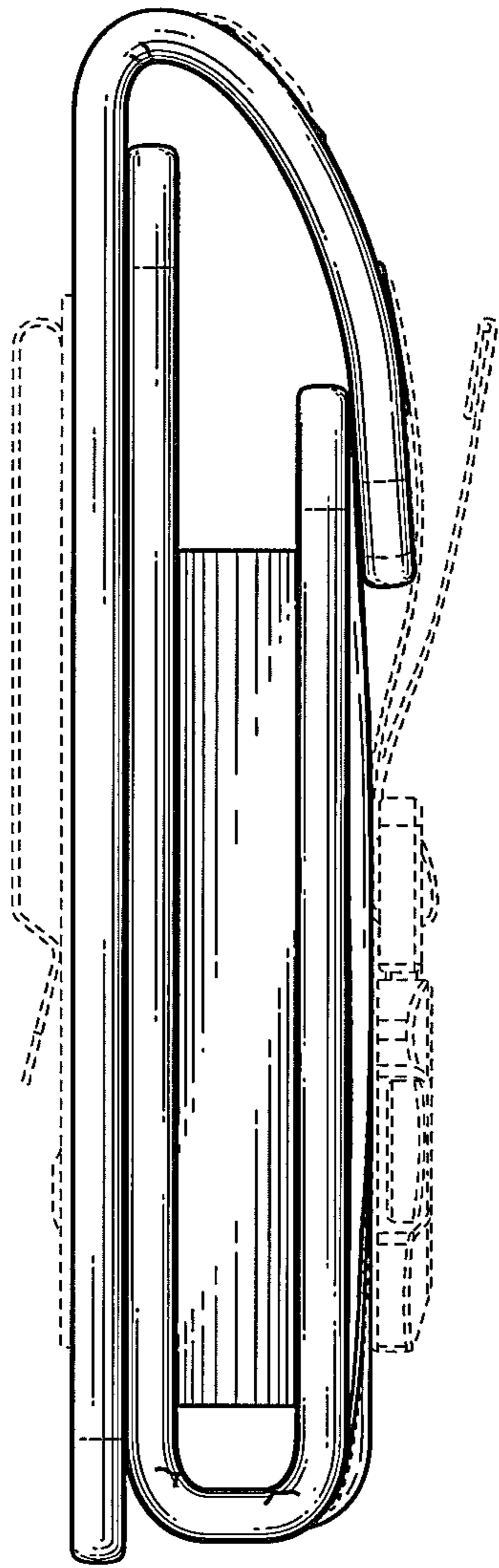


FIG. 4

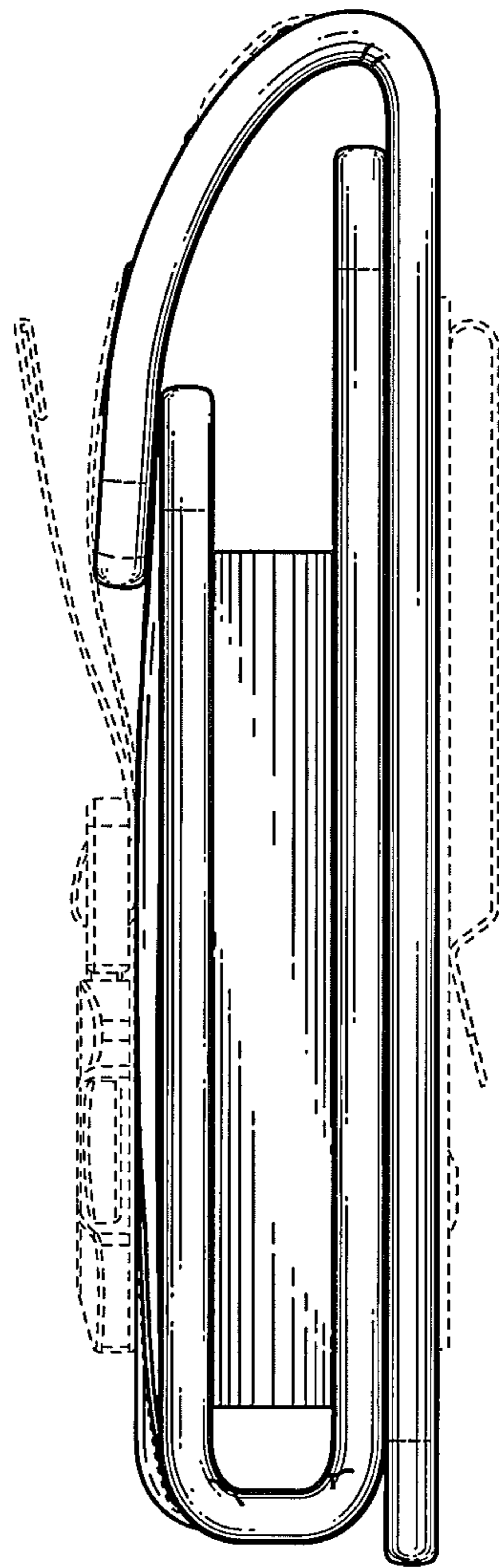


FIG. 5

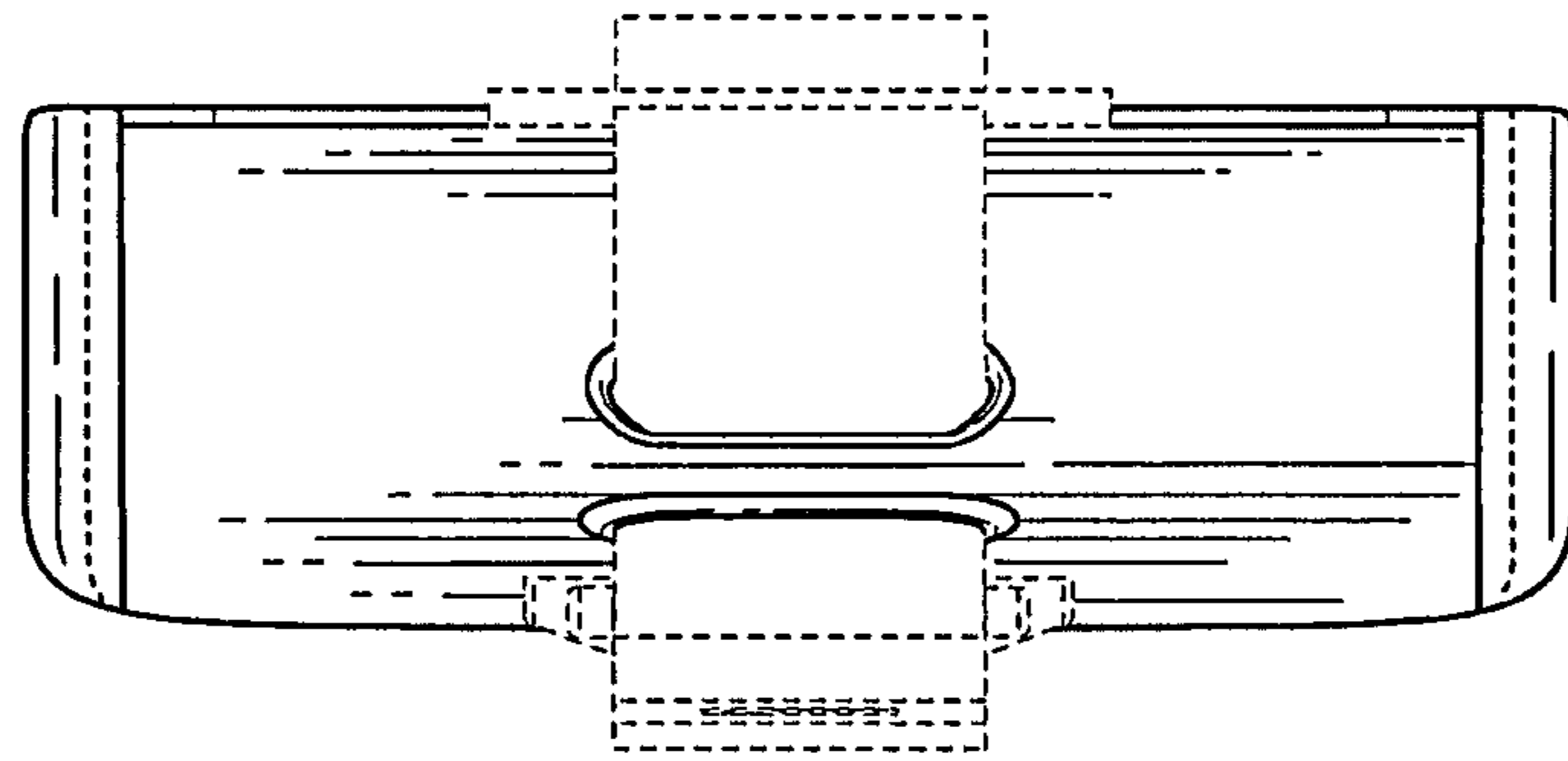


FIG. 6

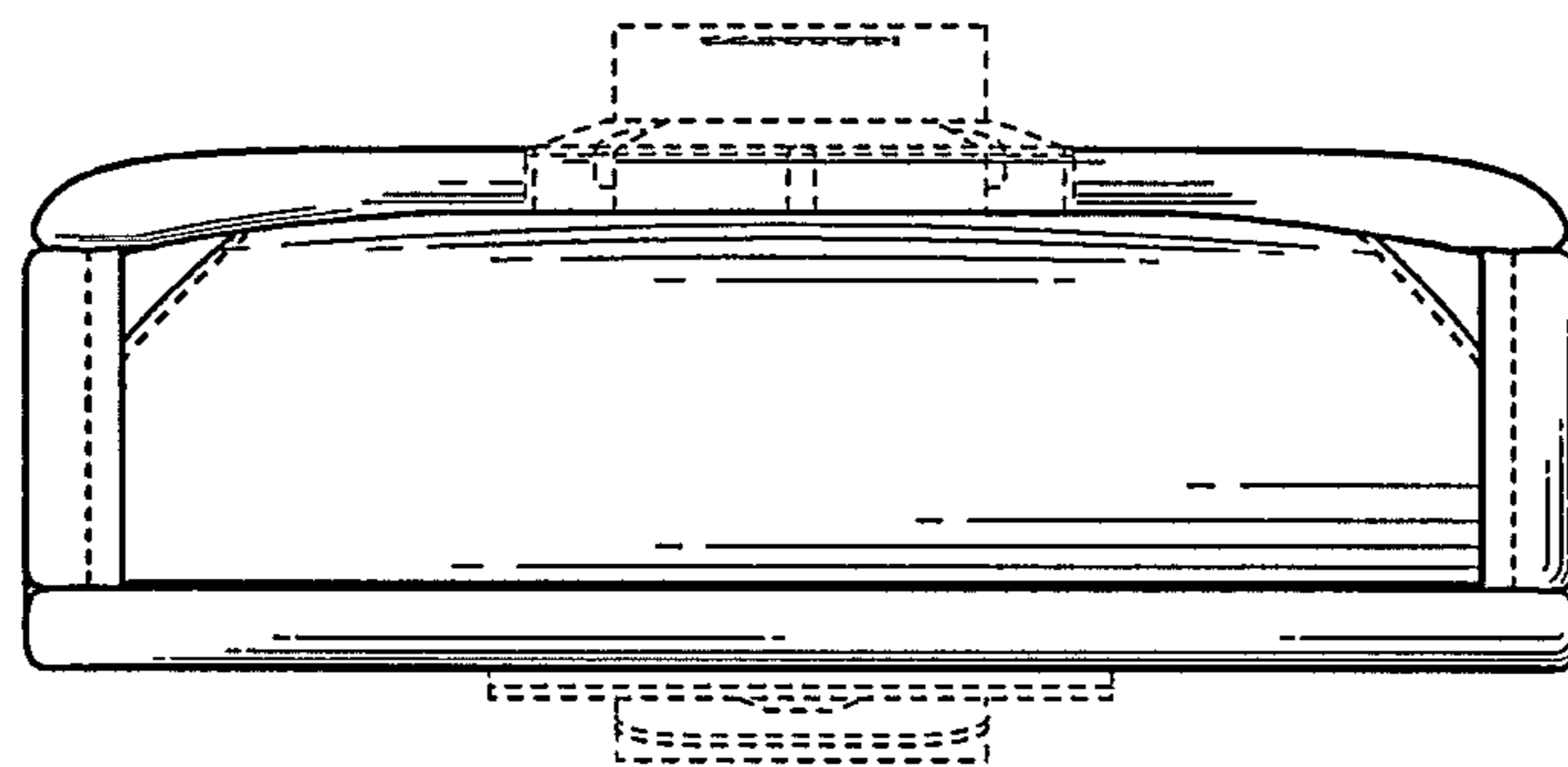


FIG. 7

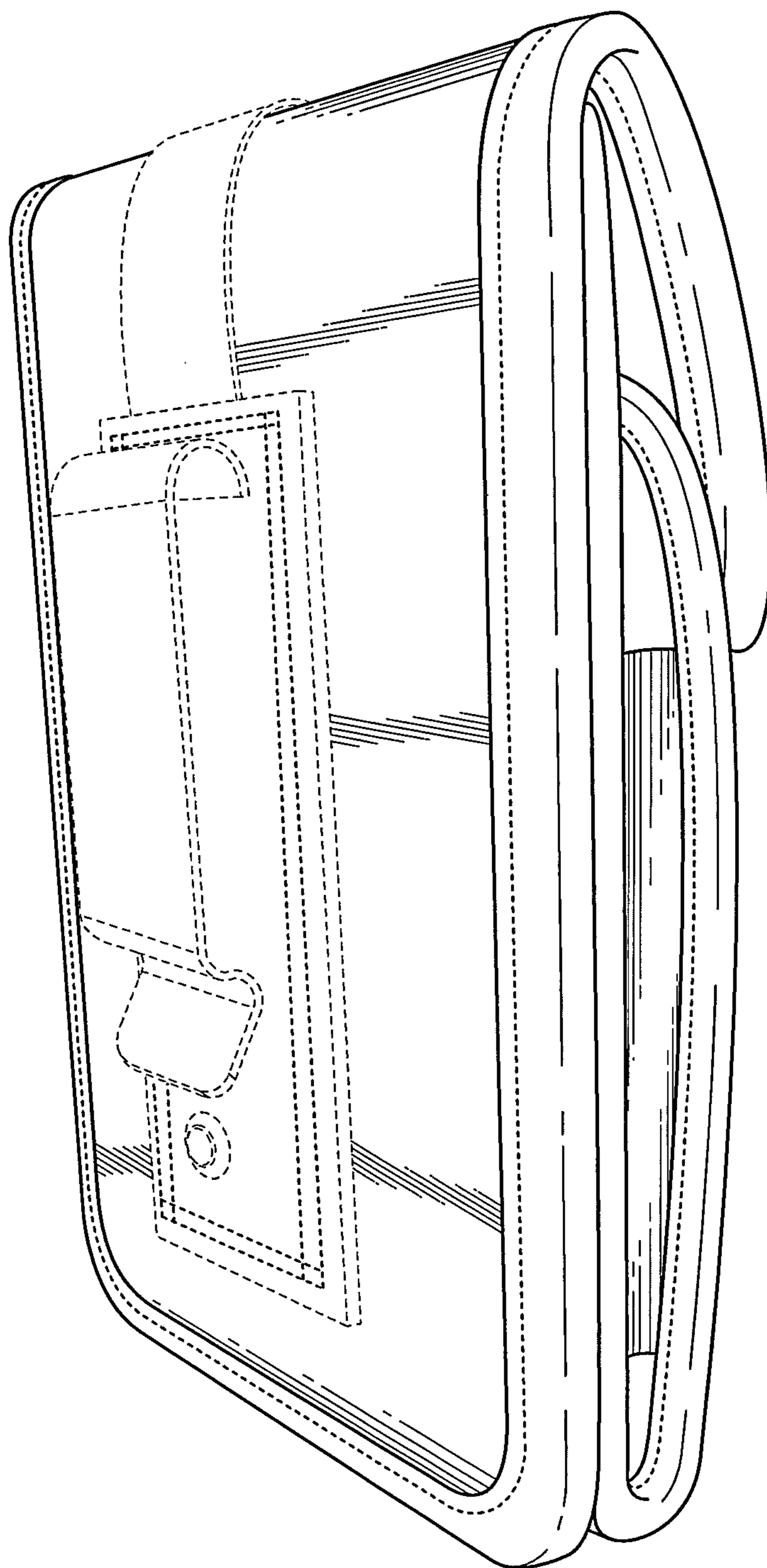


FIG. 8

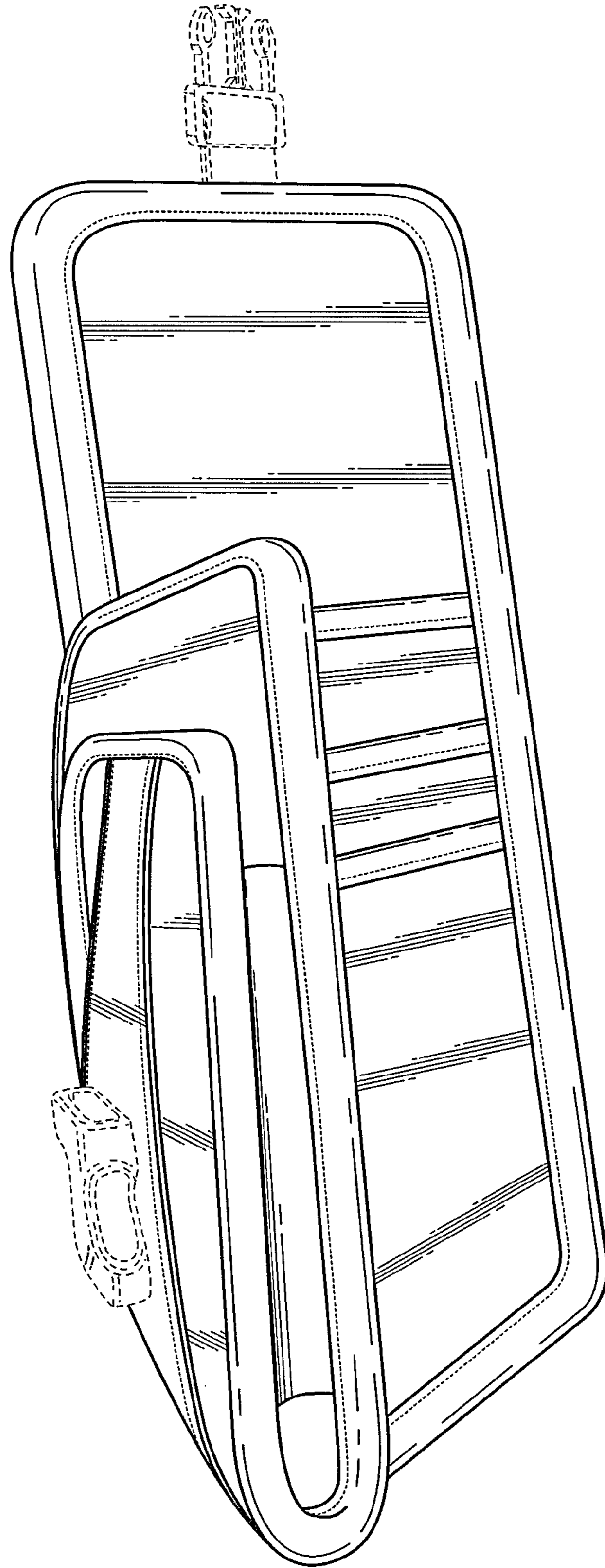


FIG. 9

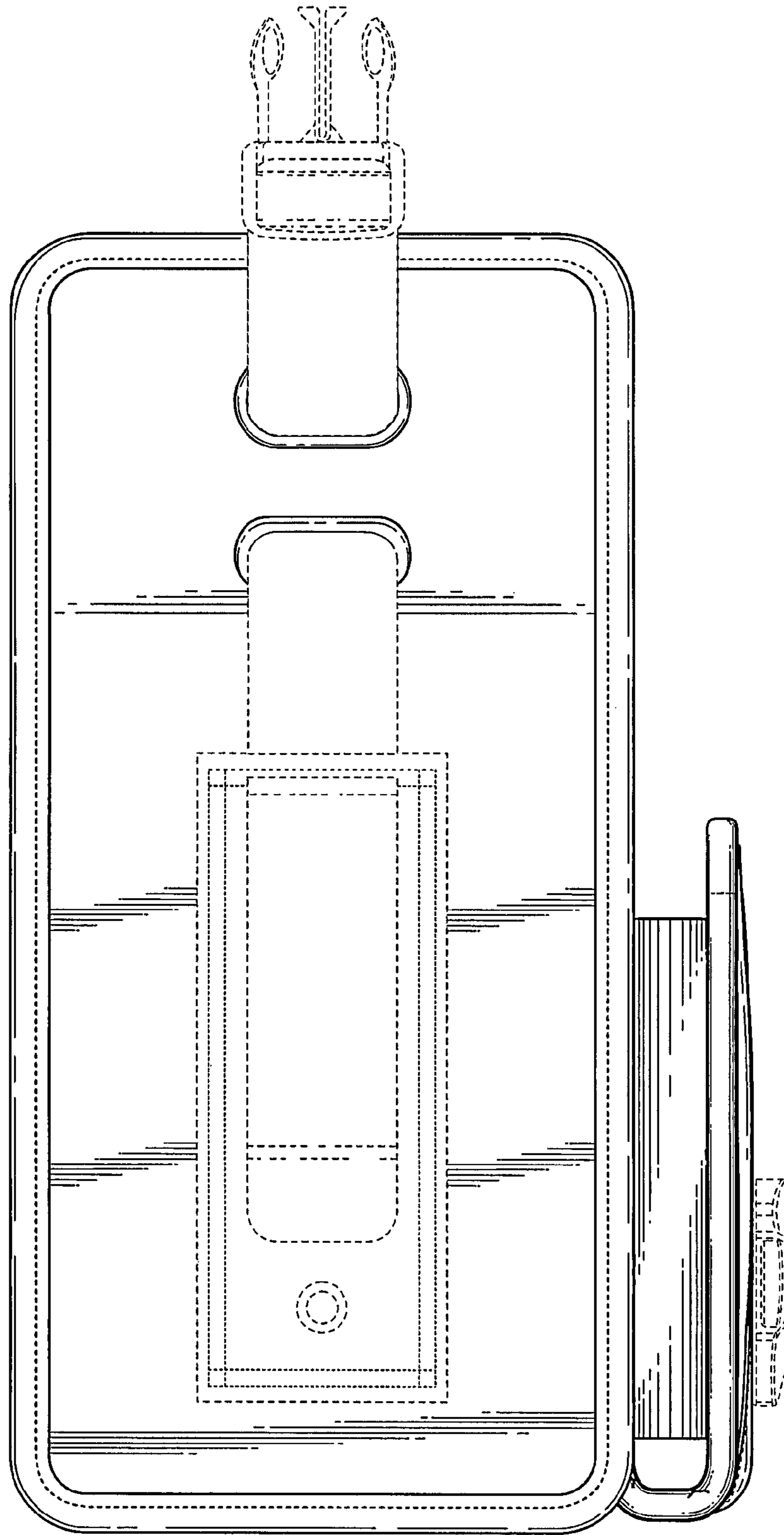


FIG. 10

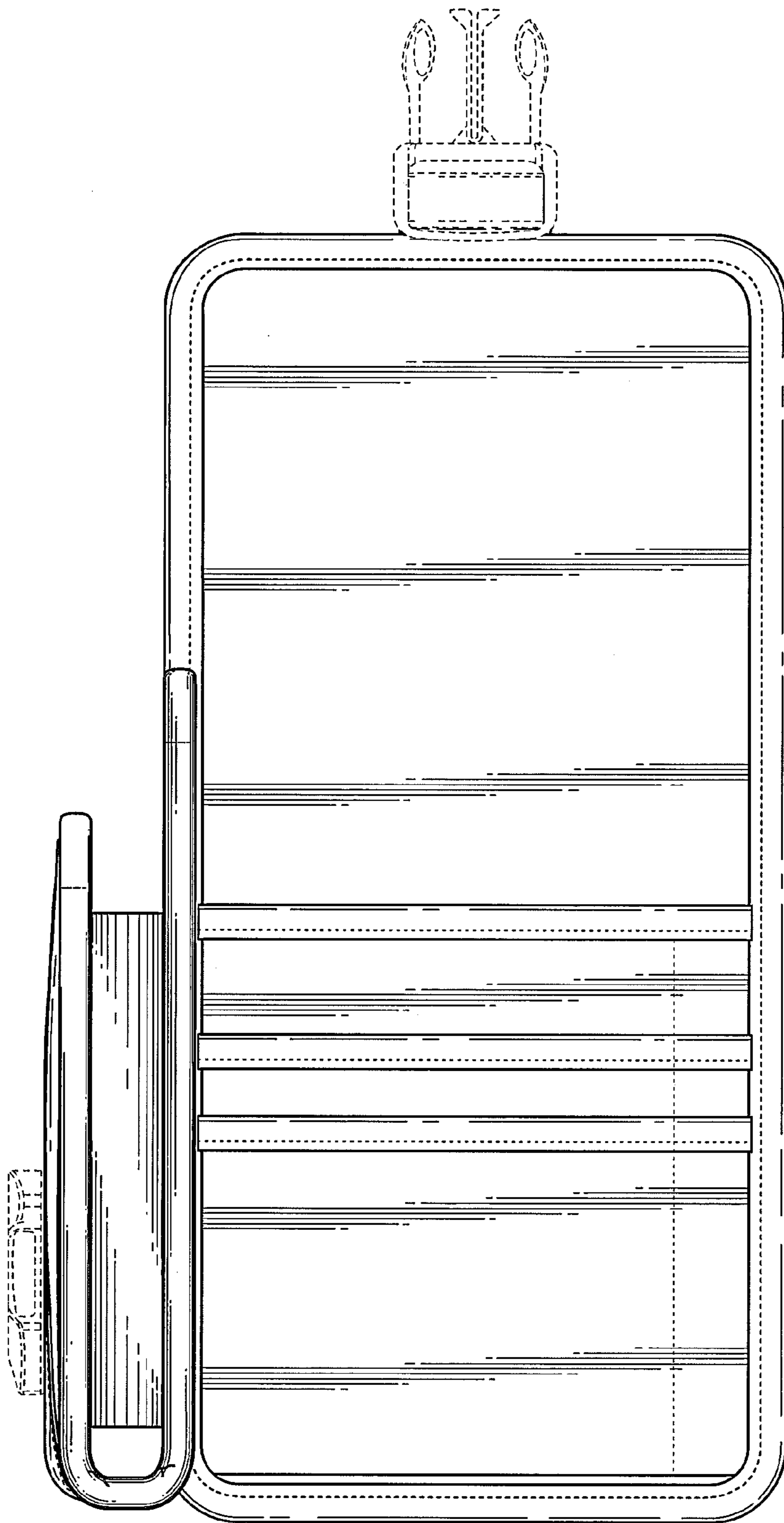


FIG. 11

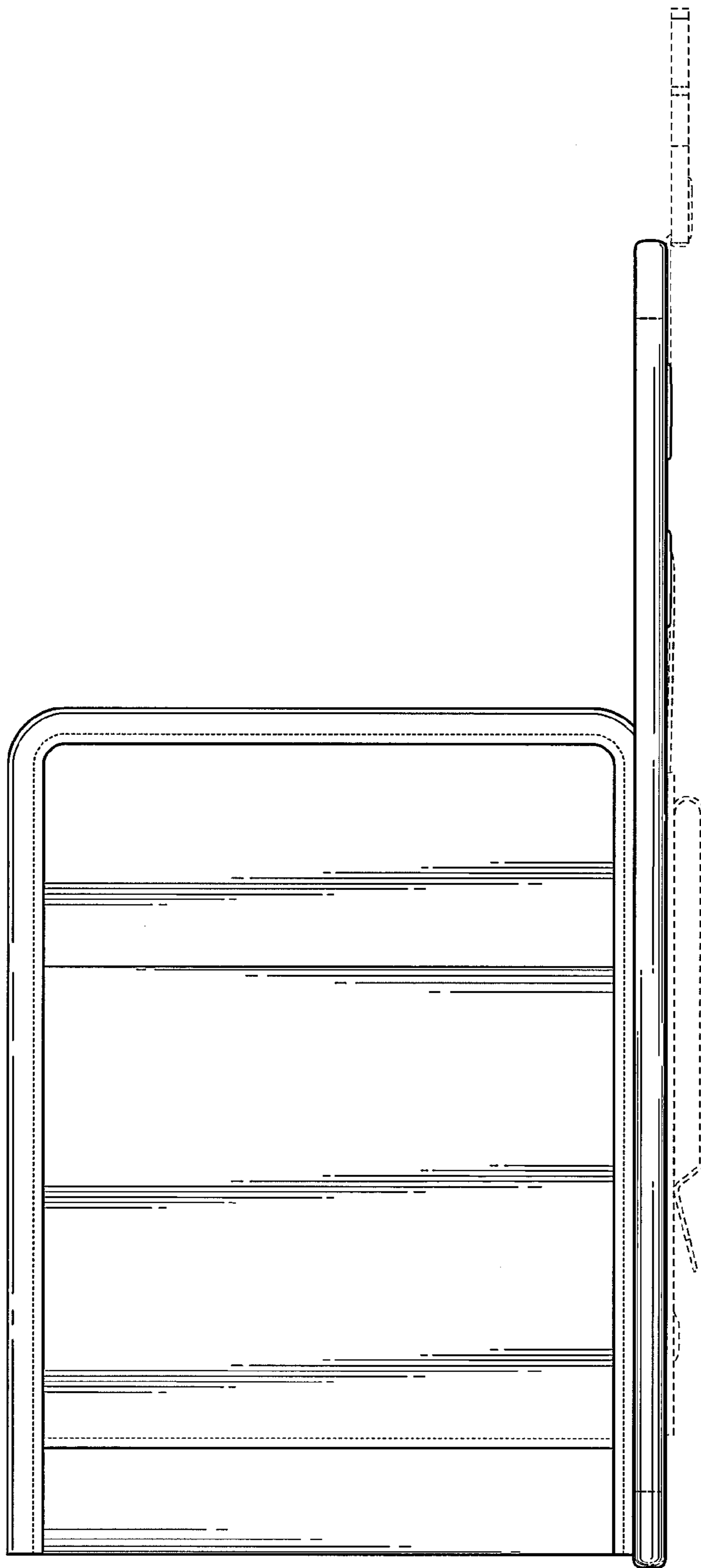


FIG. 12

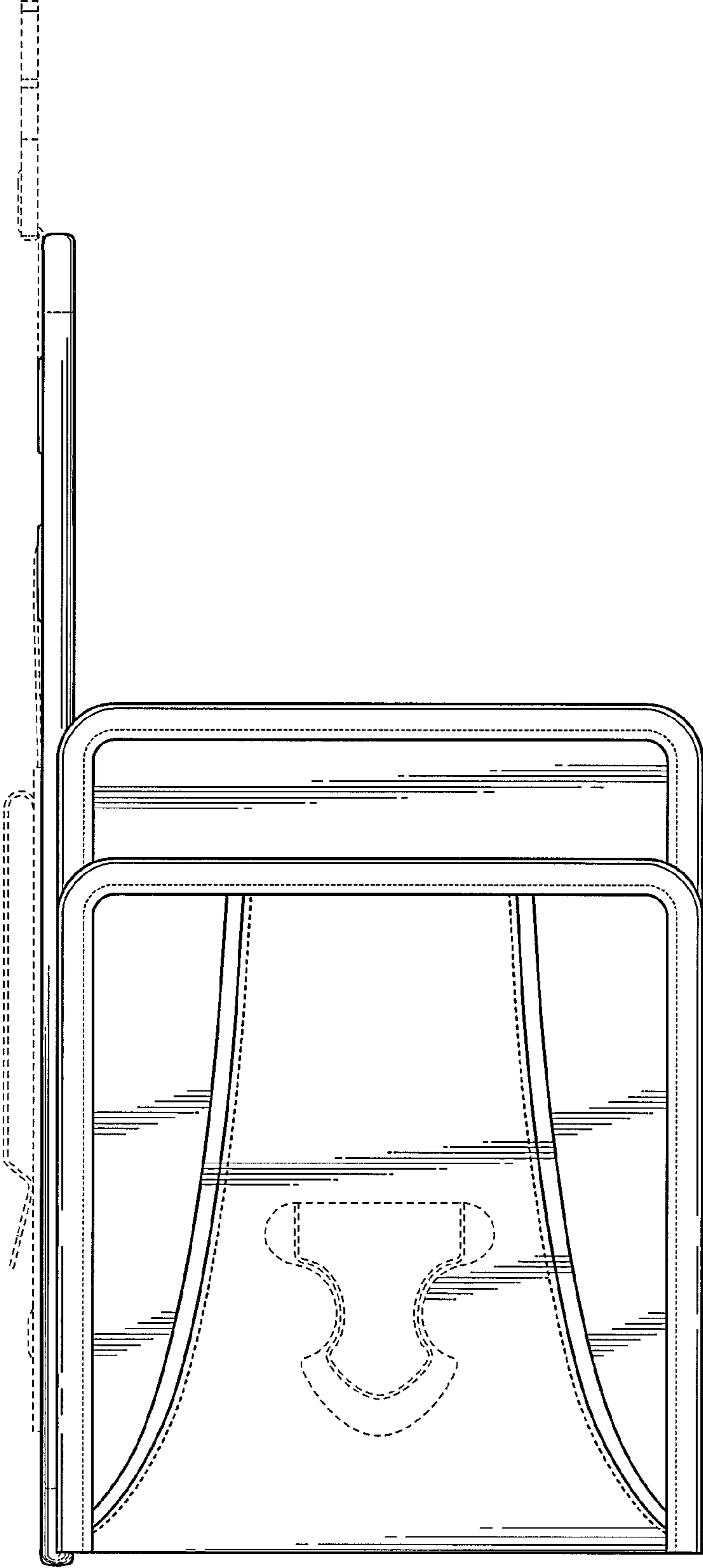


FIG. 13

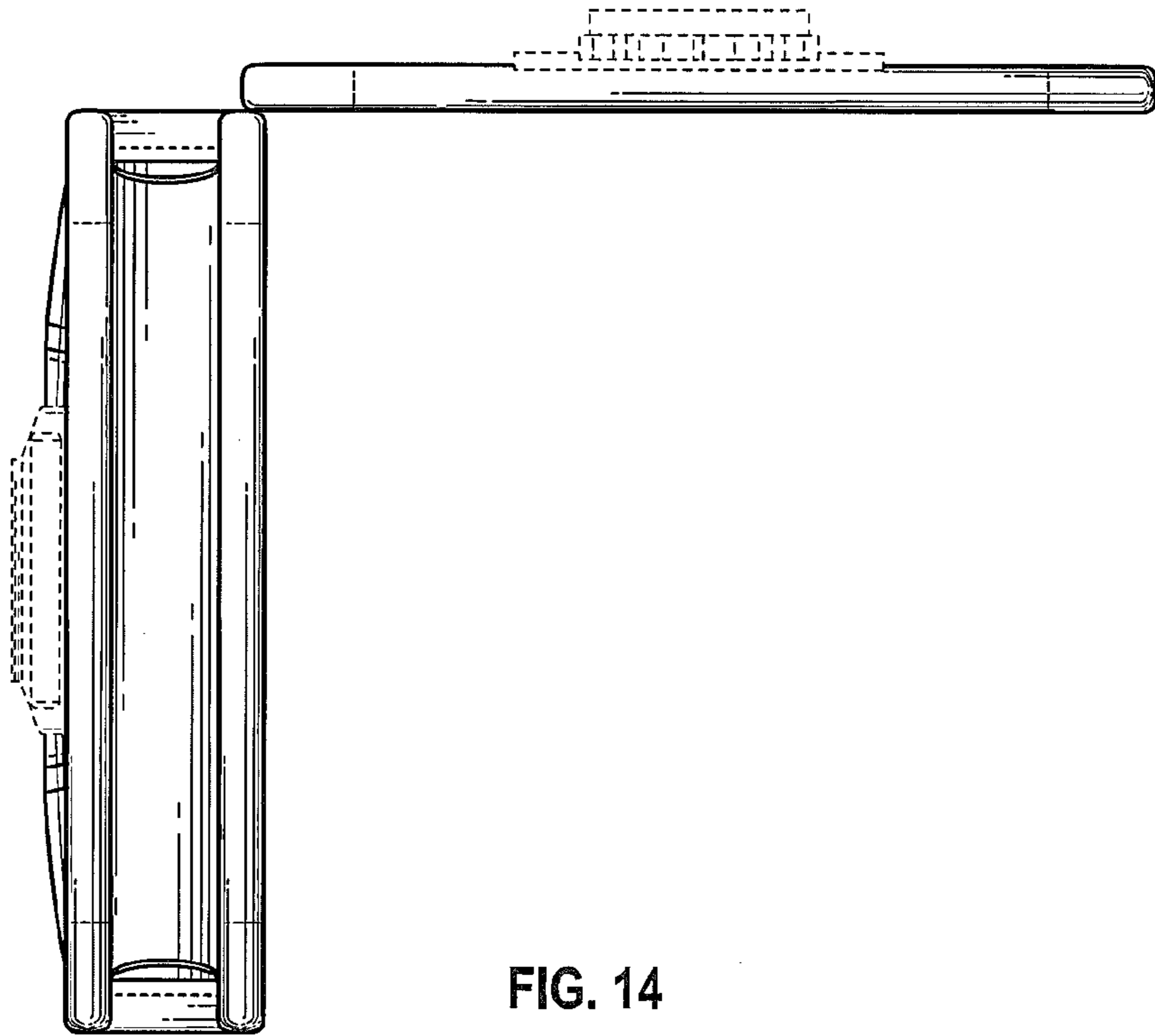


FIG. 14

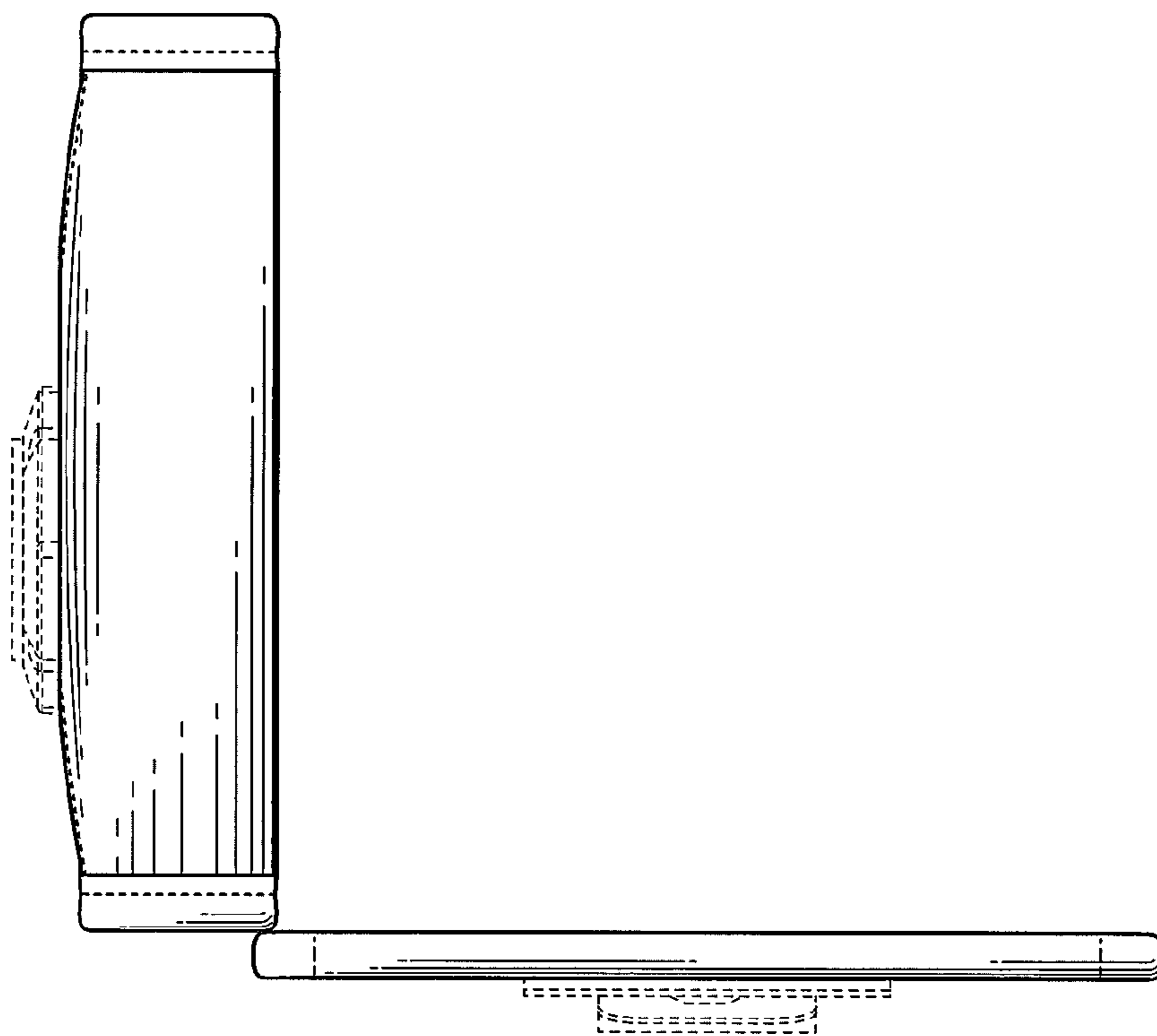


FIG. 15

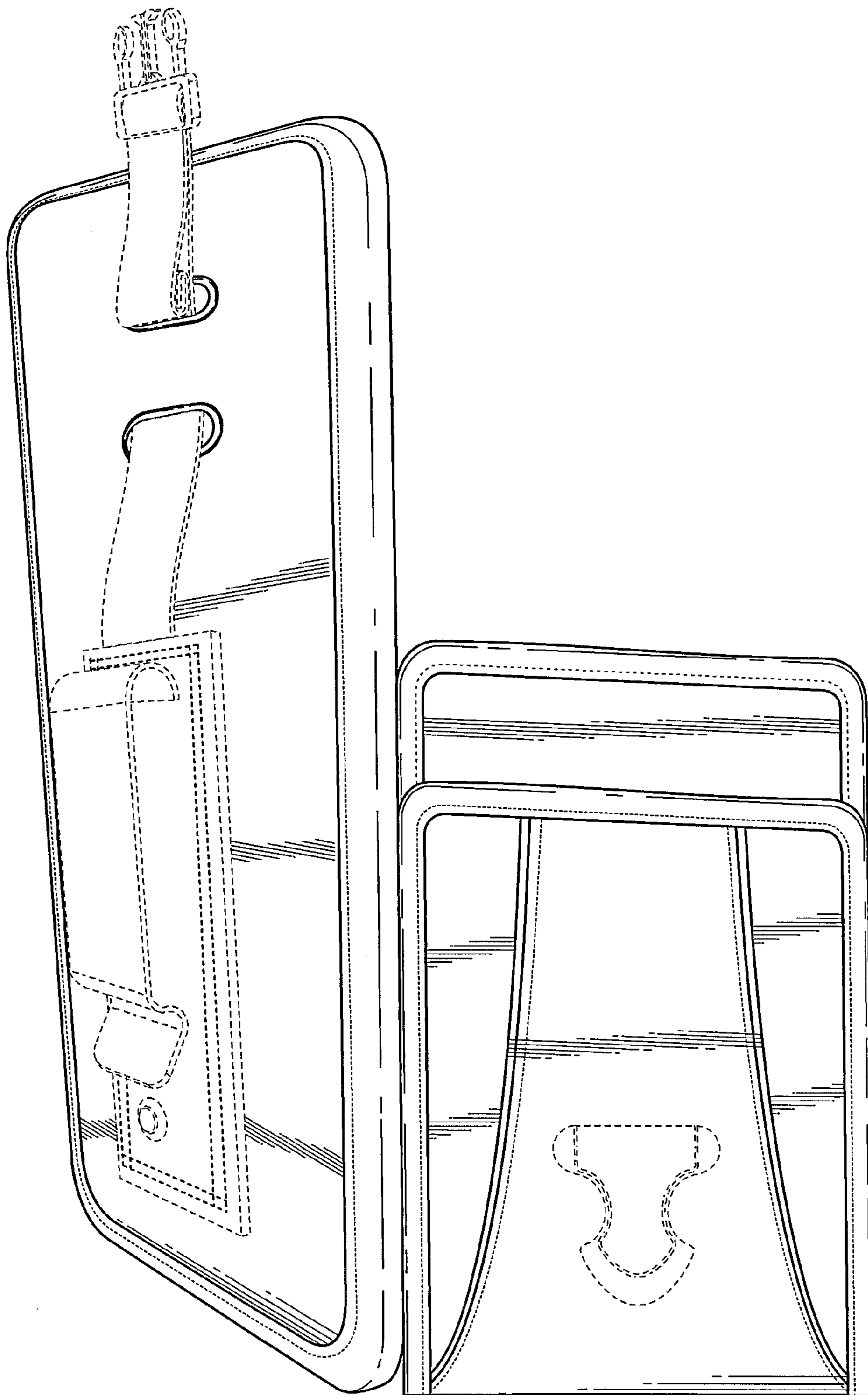


FIG. 16