



US00D740547S

(12) **United States Design Patent**
Gorouvein et al.

(10) **Patent No.:** **US D740,547 S**
(45) **Date of Patent:** **** Oct. 13, 2015**

(54) **EXTENDABLE AND COLLAPSIBLE UMBRELLA CASE**

(71) Applicants: **Edouard Gorouvein**, Thornhill (CA);
Maksim Gorouvein, Thornhill (CA)

(72) Inventors: **Edouard Gorouvein**, Thornhill (CA);
Maksim Gorouvein, Thornhill (CA)

(**) Term: **15 Years**

(21) Appl. No.: **29/526,765**

(22) Filed: **May 13, 2015**

(51) **LOC (10) Cl.** **03-01**

(52) **U.S. Cl.**
USPC **D3/11; D3/294**

(58) **Field of Classification Search**
USPC **D3/11, 294**
CPC **A45B 25/00; A45B 25/24**
See application file for complete search history.

(56) **References Cited**

U.S. PATENT DOCUMENTS

1,542,890	A *	6/1925	Kitterman	135/17
5,427,346	A *	6/1995	Urgola	248/519
5,579,940	A *	12/1996	Weiss et al.	220/8
D464,191	S *	10/2002	Lu	D3/11
D503,273	S *	3/2005	Lu	D3/11
D556,267	S *	11/2007	Nip	D21/385
8,066,138	B2 *	11/2011	Boyles	220/8

* cited by examiner

Primary Examiner — Holly Baynham

(74) *Attorney, Agent, or Firm* — Nadya Reingand

(57) **CLAIM**

The ornamental design for an extendable and collapsible umbrella case, as shown and described.

DESCRIPTION

FIG. 1 is a front left top perspective view of the extendable and collapsible umbrella case closed and in extended form illustrating the novel design.

FIG. 2 is a front left top perspective view of the extendable and collapsible umbrella case open and in extended form of FIG. 1.

FIG. 3 is a front left top perspective view of the extendable and collapsible umbrella case closed and in resting form of FIG. 1.

FIG. 4 is a front left top perspective view of the extendable and collapsible umbrella case open and in resting form of FIG. 1.

FIG. 5 is a top view of the extendable and collapsible umbrella case closed and in extended form of FIG. 1.

FIG. 6 is a front view of the extendable and collapsible umbrella case closed and in extended form of FIG. 1

FIG. 7 is a front cross-sectional view shown along line 7-7 of FIG. 5;

FIG. 8 is rear view of the extendable and collapsible umbrella case closed and in extended form of FIG. 1.

FIG. 9 is both a right and left side view with the rear of the case at the top of the figure of the extendable and collapsible umbrella case closed and extended form of FIG. 1.

FIG. 10 is top view of the extendable and collapsible umbrella case closed and in resting form of FIG. 1.

FIG. 11 is a front view of the extendable and collapsible umbrella case closed and in resting form of FIG. 1.

FIG. 12 is a front cross-sectional view shown along line 12-12 of FIG. 10;

FIG. 13 is rear view of the extendable and collapsible umbrella case closed and in resting form of FIG. 1.

FIG. 14 is both a right and left side view with the rear of the case at the top of the figure of the extendable and collapsible umbrella case closed and in resting form of FIG. 1.

FIG. 15 is a front left top perspective view of the extendable and collapsible umbrella case closed and in collapsed form of FIG. 1.

FIG. 16 is a front left top perspective view of the extendable and collapsible umbrella case open and in collapsed form of FIG. 1.

FIG. 17 is top view of the extendable and collapsible umbrella case closed and in collapsed form of FIG. 1.

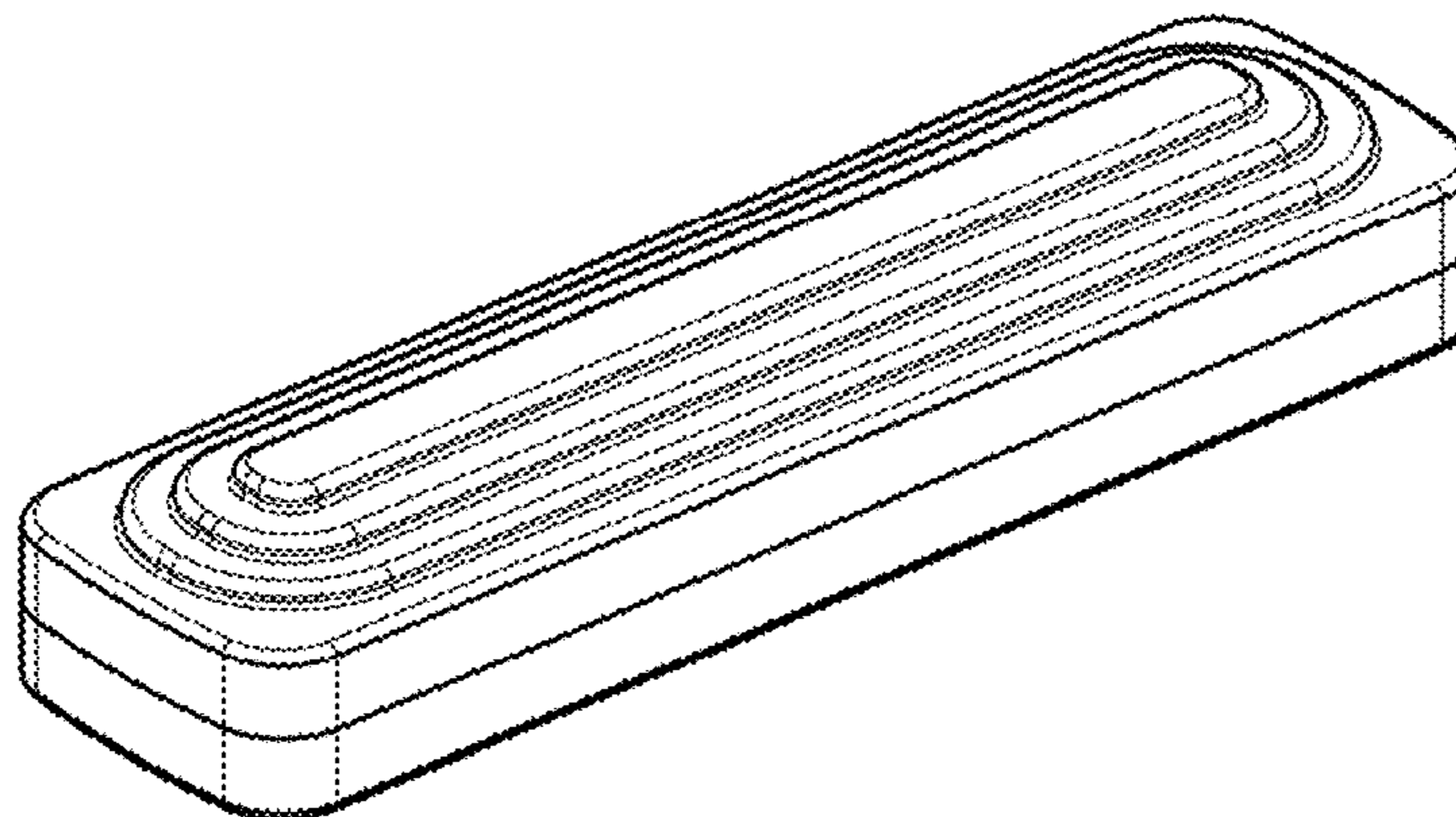
FIG. 18 is a front view of the extendable and collapsible umbrella case closed and in collapsed form of FIG. 1.

FIG. 19 is a front cross-sectional view shown along line 19-19 of FIG. 17

FIG. 20 is rear view of the extendable and collapsible umbrella case closed and in collapsed FIG. 1; and,

FIG. 21 is both a right and left side view with the rear of the case at the top of the figure of the extendable and collapsible umbrella case closed and in collapsed form of FIG. 1.

1 Claim, 9 Drawing Sheets



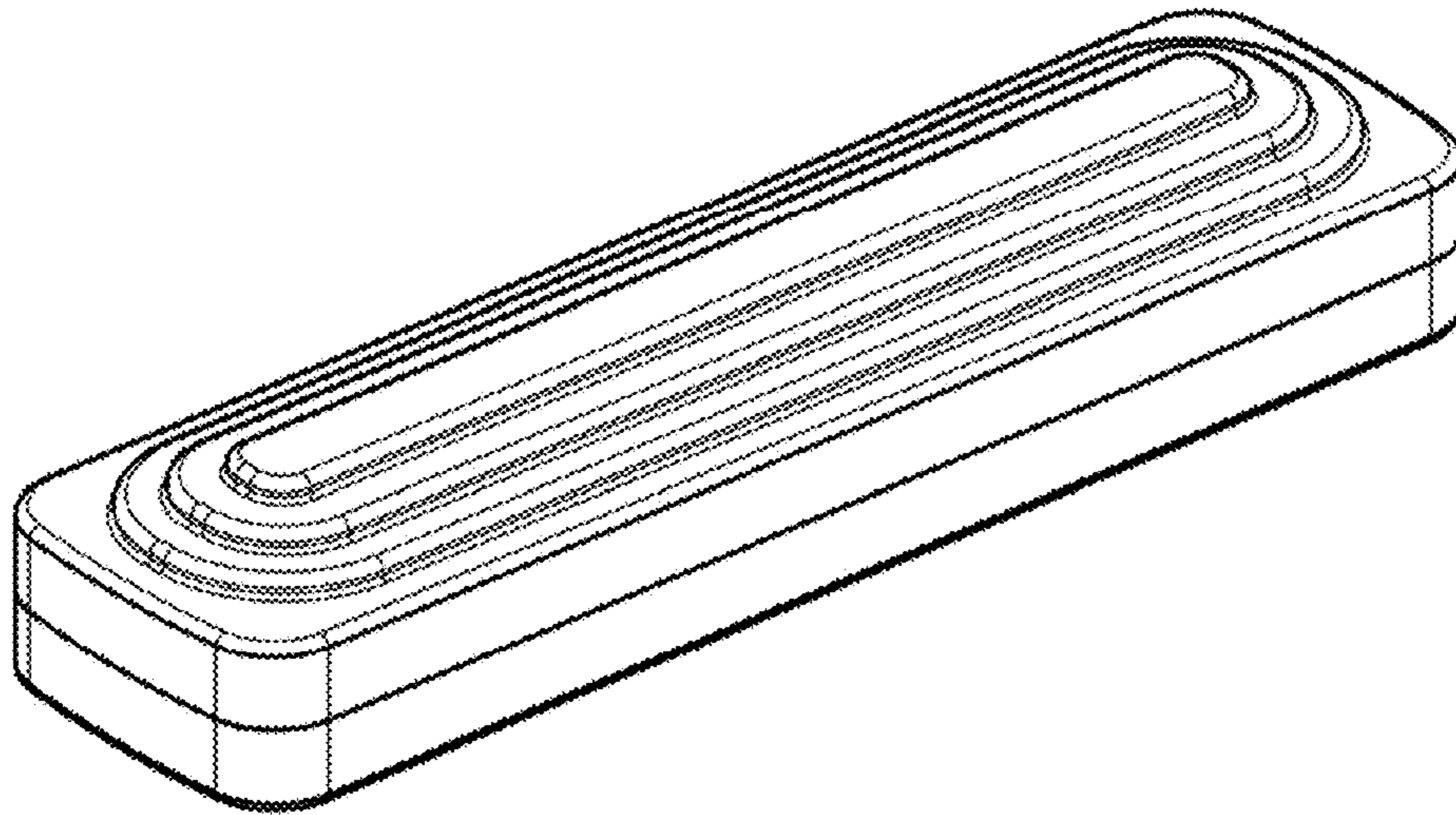


Fig. 1

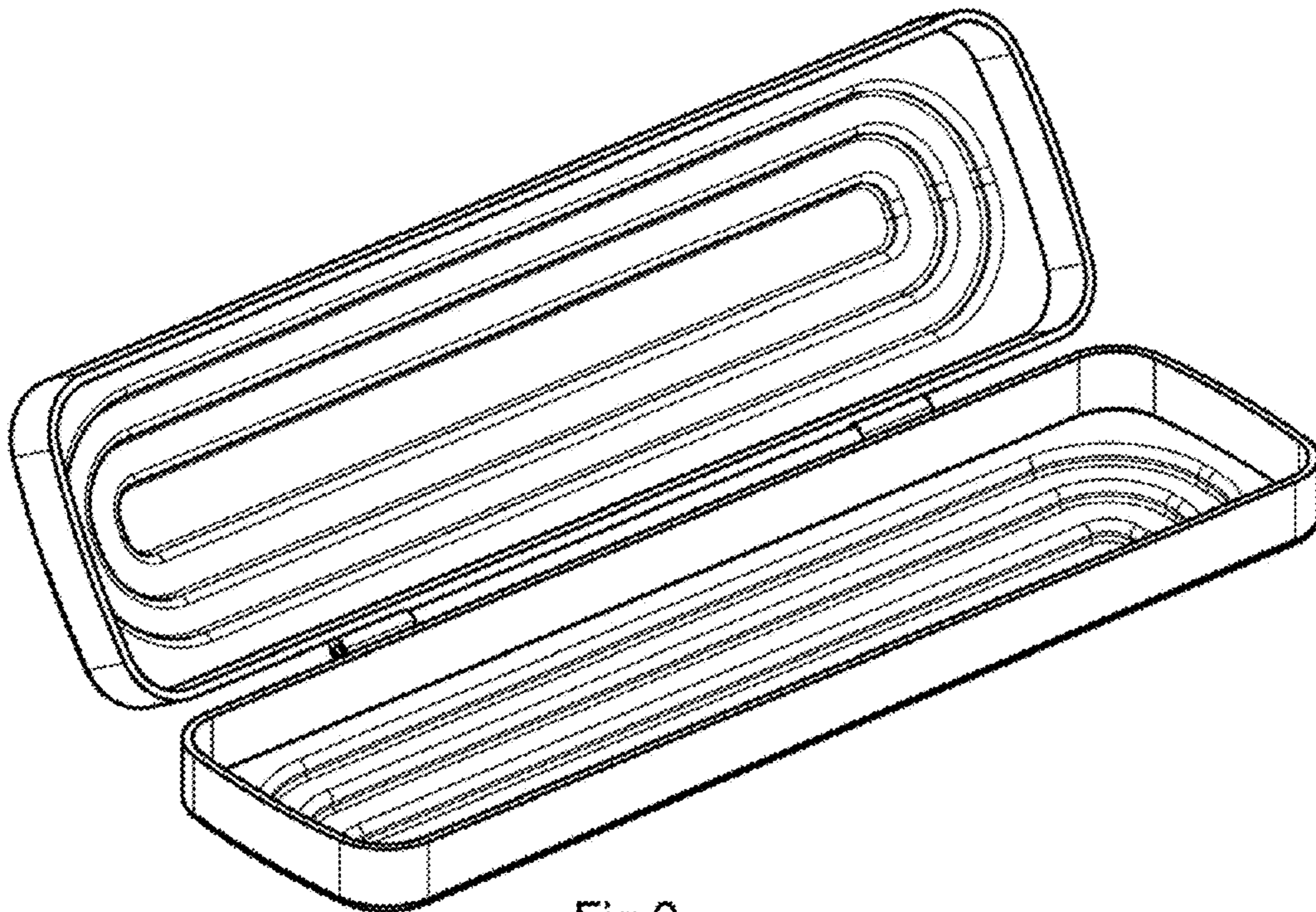


Fig. 2

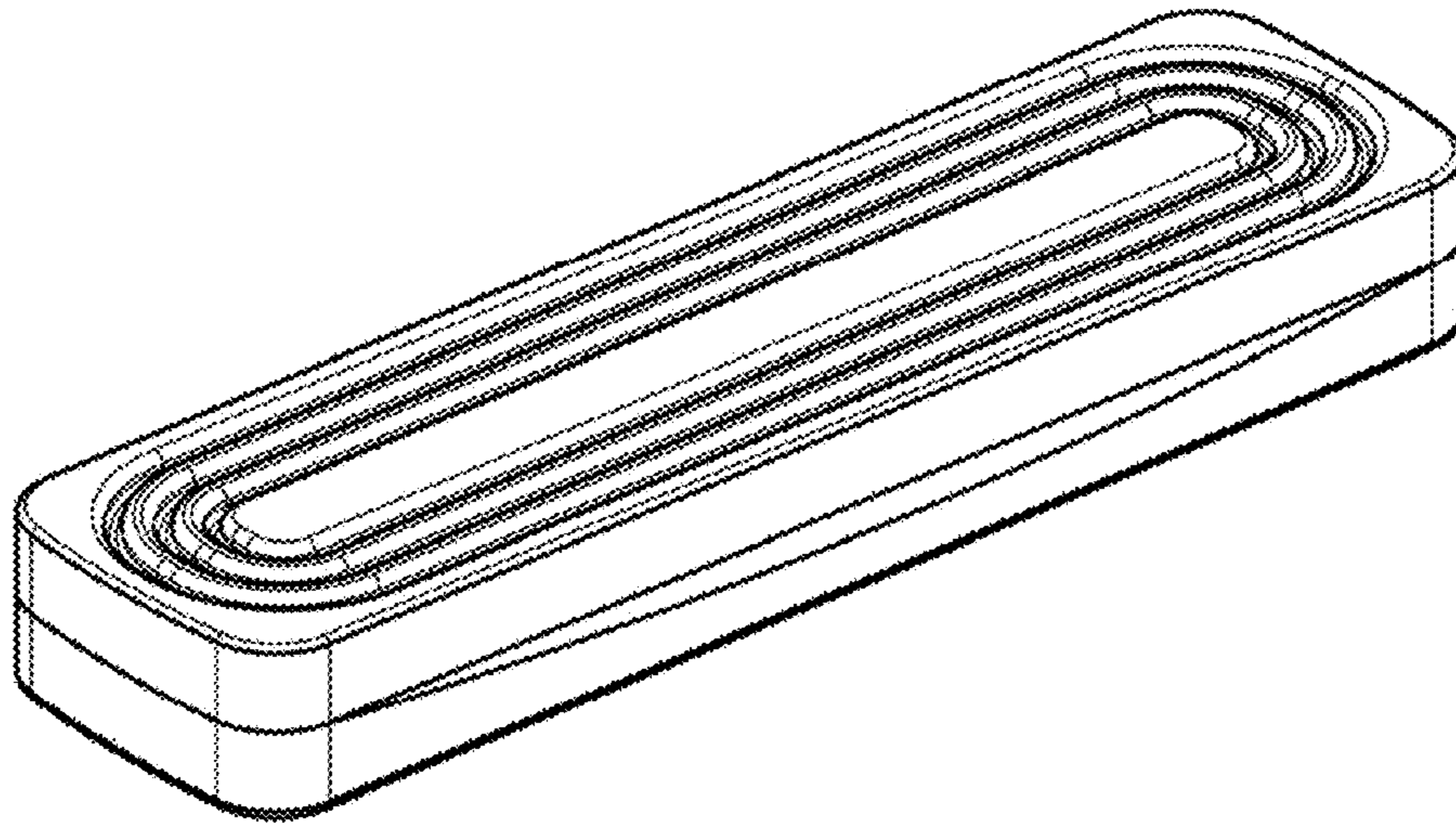


Fig.3

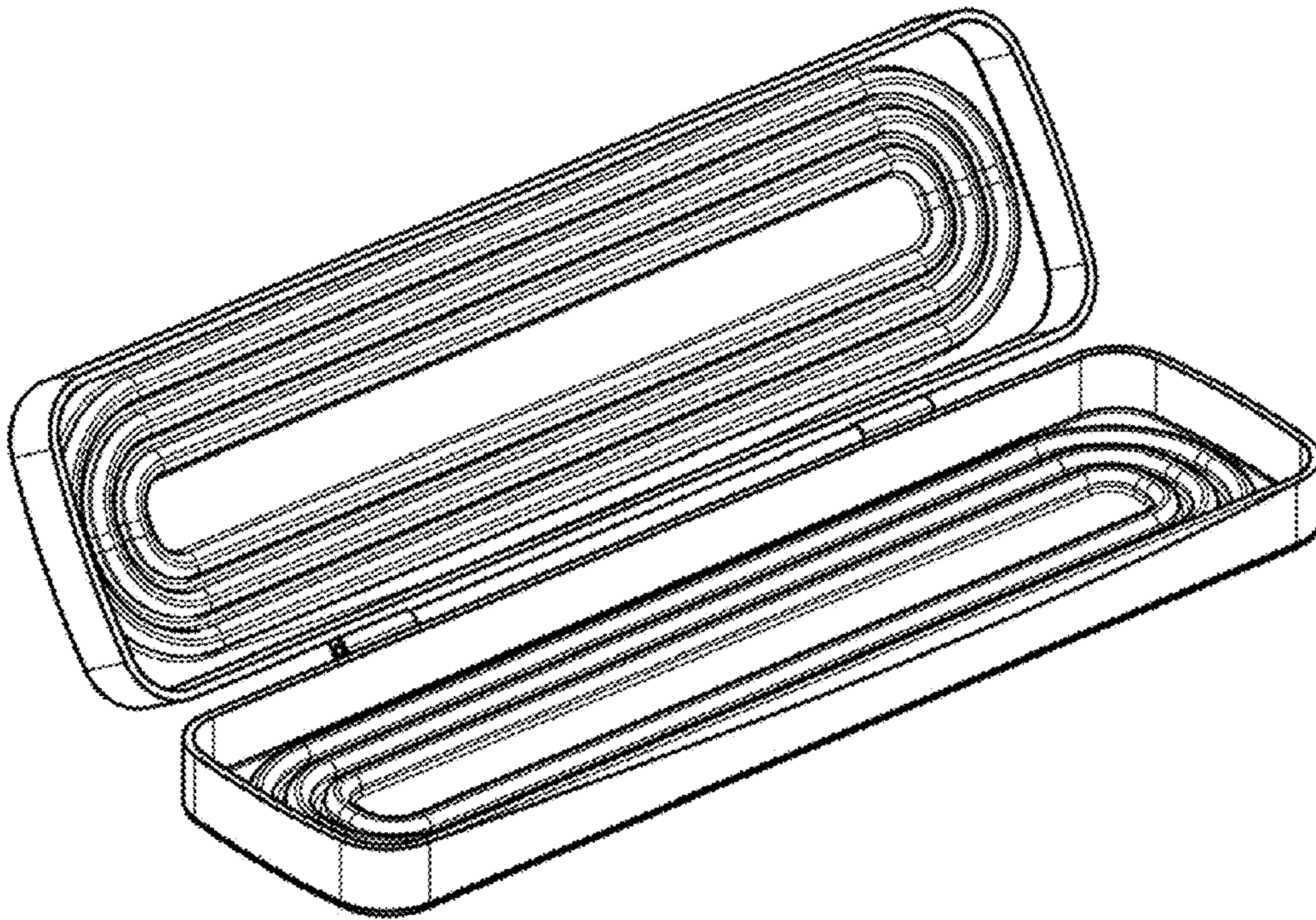


Fig.4

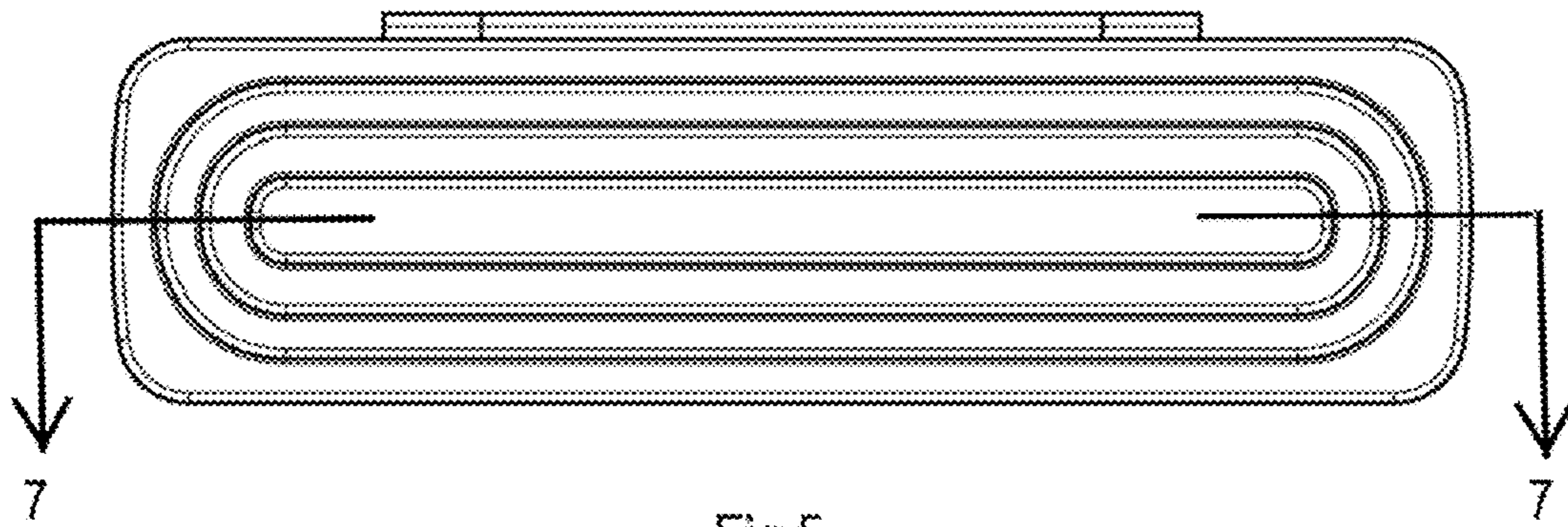


Fig.5



Fig.6

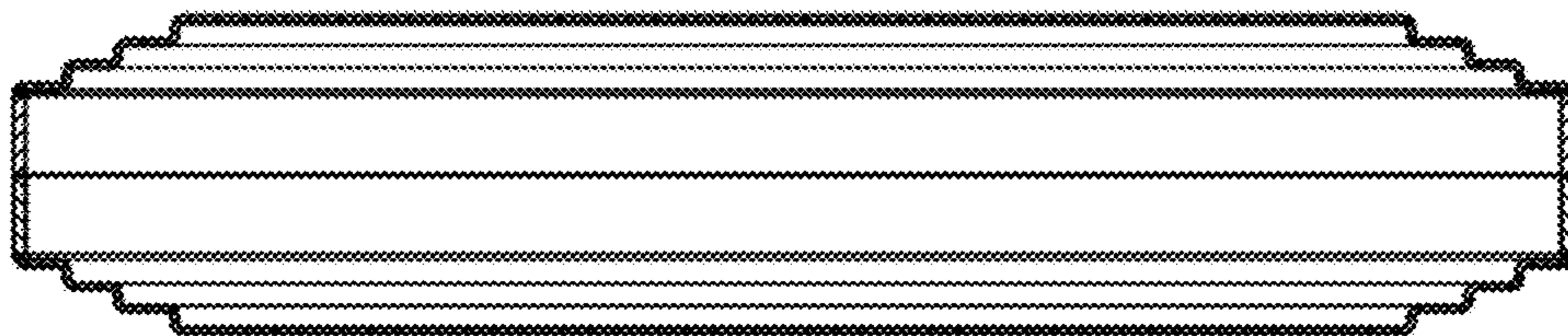


Fig.7

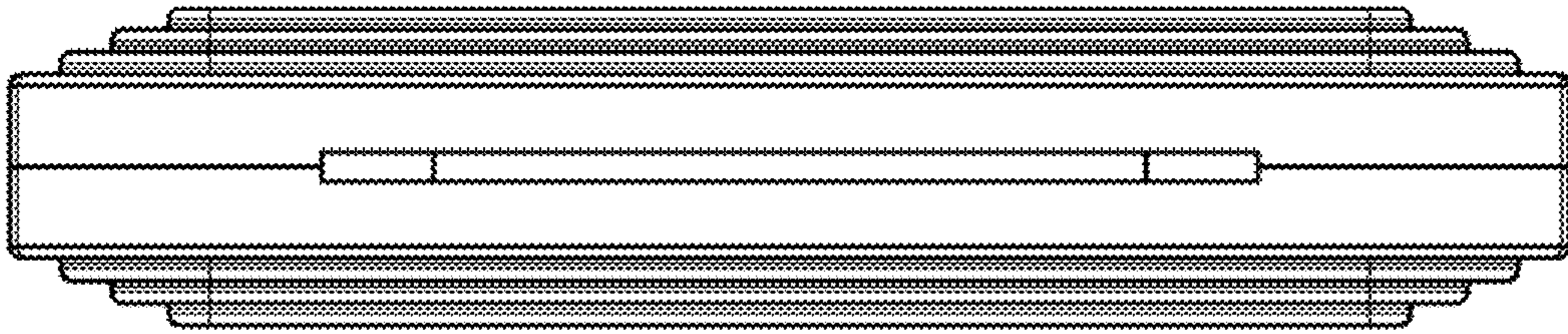


Fig.8

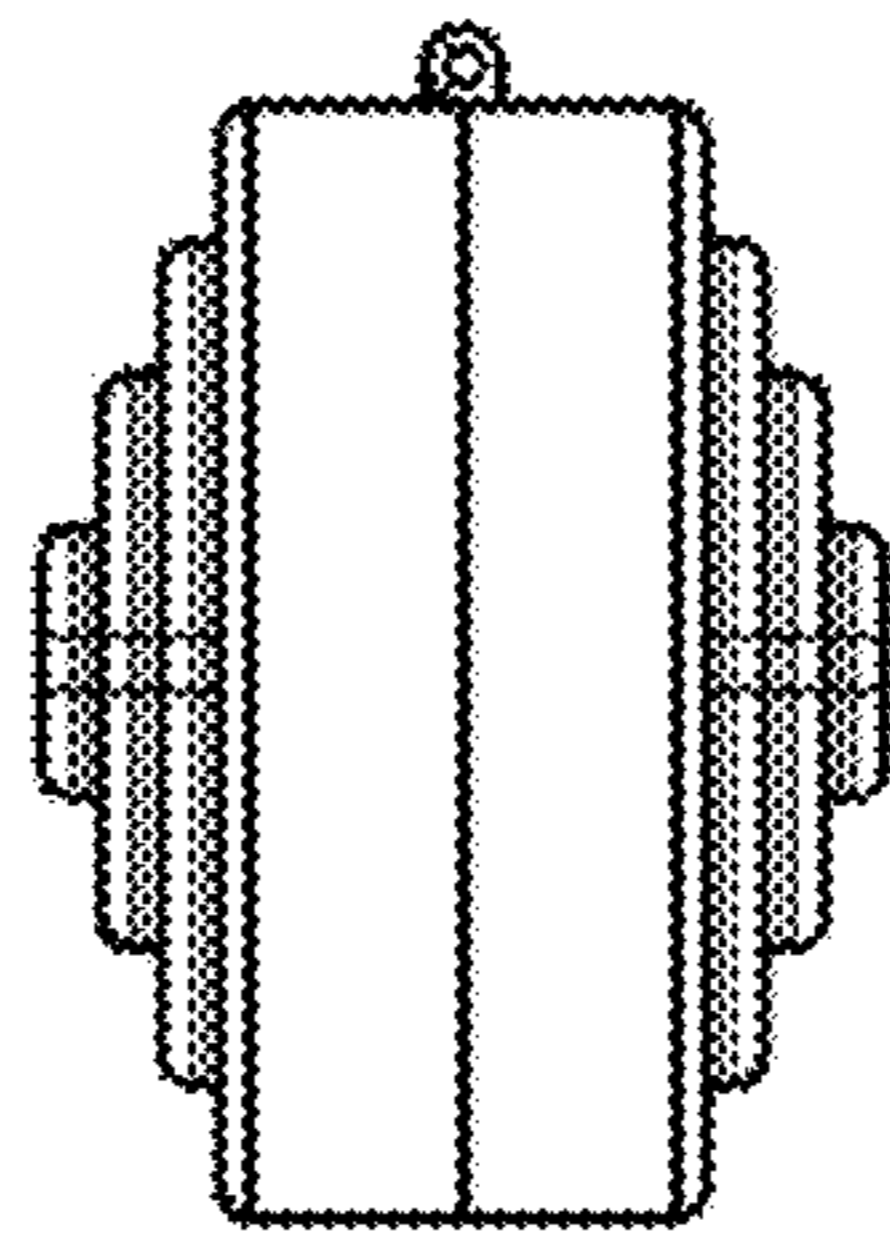


Fig.9



Fig.10



Fig.11



Fig.12



Fig.13



Fig.14

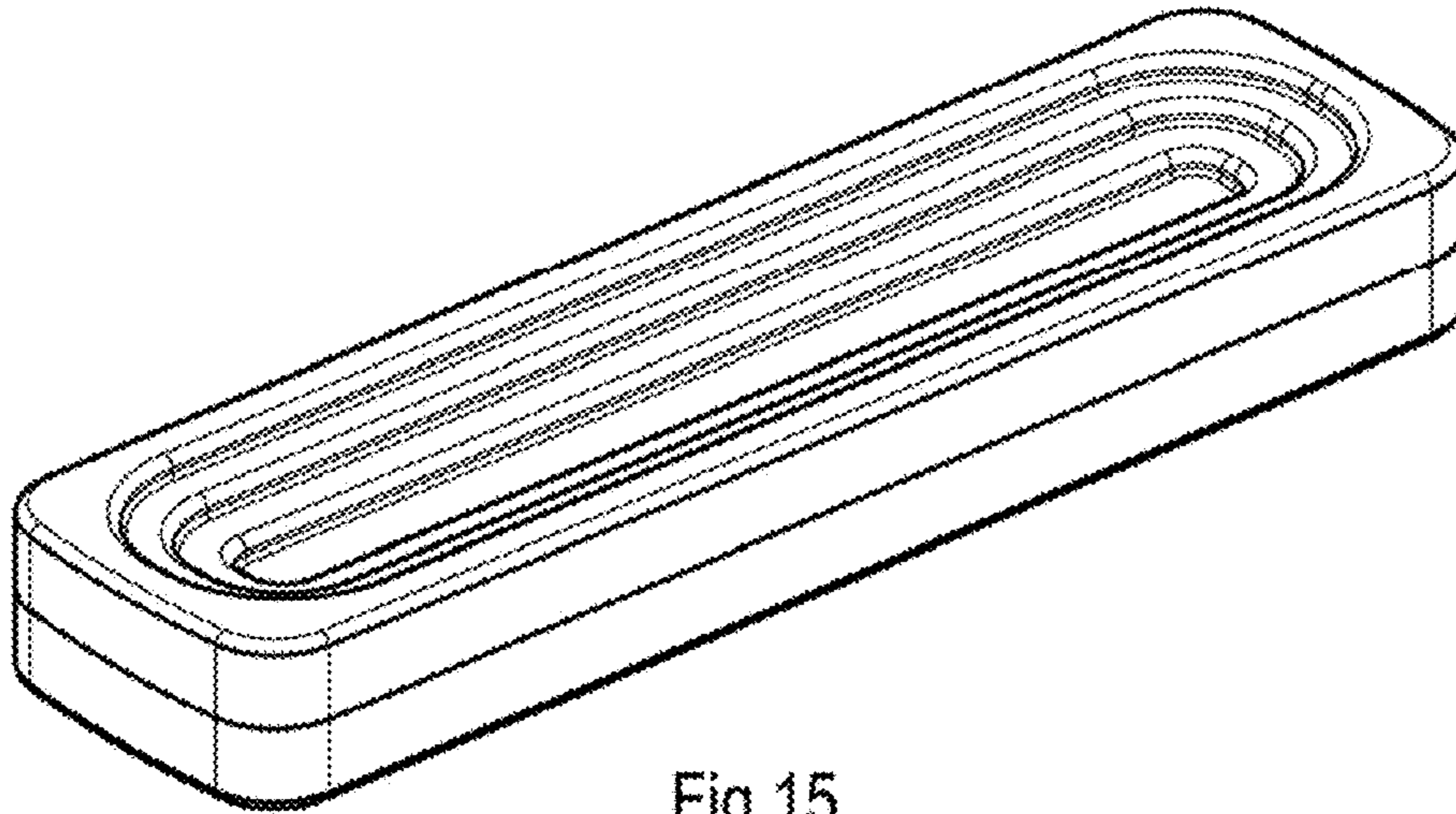


Fig.15

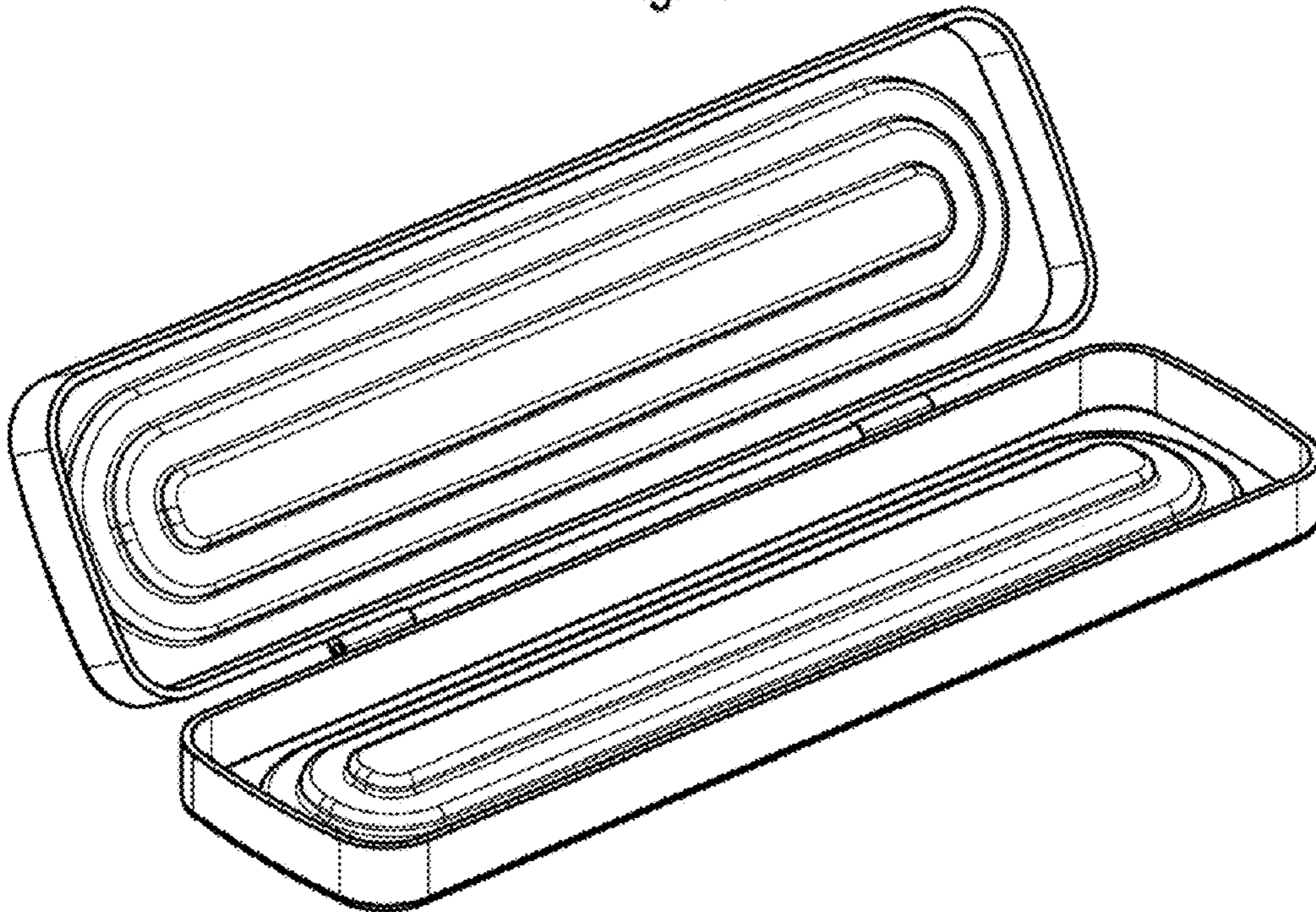


Fig.16



Fig.17



Fig.18



Fig.19

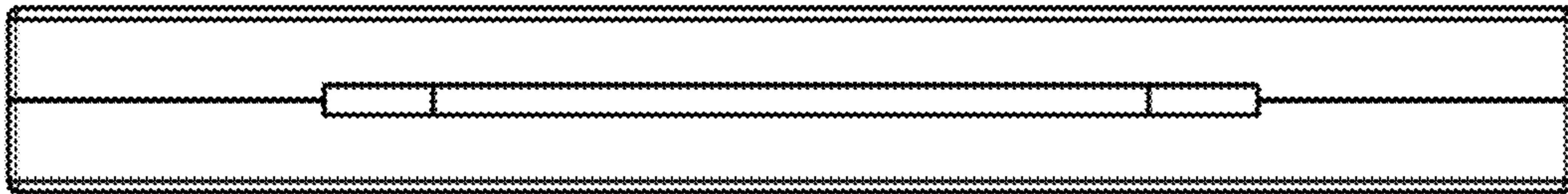


Fig.20

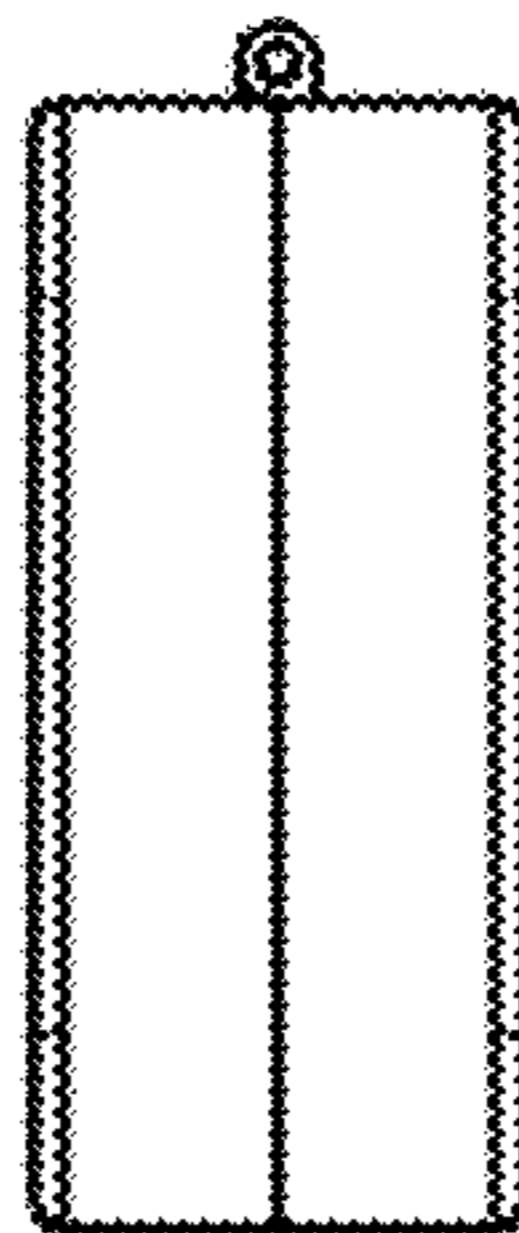


Fig.21