



US00D740546S

(12) **United States Design Patent**
DeVaney

(10) **Patent No.:** **US D740,546 S**
(45) **Date of Patent:** **** Oct. 13, 2015**

(54) **UMBRELLA STAND**

(71) Applicant: **Sean DeVaney**, Apopka, FL (US)

(72) Inventor: **Sean DeVaney**, Apopka, FL (US)

(**) Term: **14 Years**

(21) Appl. No.: **29/454,238**

(22) Filed: **May 8, 2013**

(51) **LOC (10) Cl.** **03-03**

(52) **U.S. Cl.**
USPC **D3/10**

(58) **Field of Classification Search**
USPC D3/10, 17; D8/343, 345, 354; D11/152;
D21/694; D26/23

CPC ... A45B 21/00; A45B 2025/003; A45B 25/22
See application file for complete search history.

(56) **References Cited**

U.S. PATENT DOCUMENTS

D405,027	S	*	2/1999	McElwain et al.	D11/152
D470,305	S	*	2/2003	Clarke	D3/10
D484,303	S	*	12/2003	Taylor	D3/10
D485,055	S	*	1/2004	Taylor	D3/10
D485,743	S	*	1/2004	Wilson, Sr.	D8/354
D530,185	S	*	10/2006	Osiecki et al.	D8/343
D573,786	S	*	7/2008	Smith et al.	D3/10
D623,845	S	*	9/2010	Lintott et al.	D3/10
D632,476	S	*	2/2011	Owens et al.	D3/17
D641,435	S	*	7/2011	Coote	D21/694
D658,316	S	*	4/2012	van Dijk	D26/23
D658,482	S	*	5/2012	Pratt	D8/349

OTHER PUBLICATIONS

Rubberform Recycled Products, LLC, Rubberform Signe Post Base Weight.

* cited by examiner

Primary Examiner — Thomas Johannes

Assistant Examiner — Catherine Posthauer

(74) *Attorney, Agent, or Firm* — Allen Dyer Doppelt Millbrath & Gilchrist

(57) **CLAIM**

The ornamental design for an umbrella stand, as shown and described.

DESCRIPTION

FIG. 1 is an exploded top perspective view an umbrella stand; FIG. 2 is a top perspective view of the design of FIG. 1, in an assembled configuration;

FIG. 3 is a top view thereof;

FIG. 4 is a top perspective view of an umbrella stand according to a second embodiment;

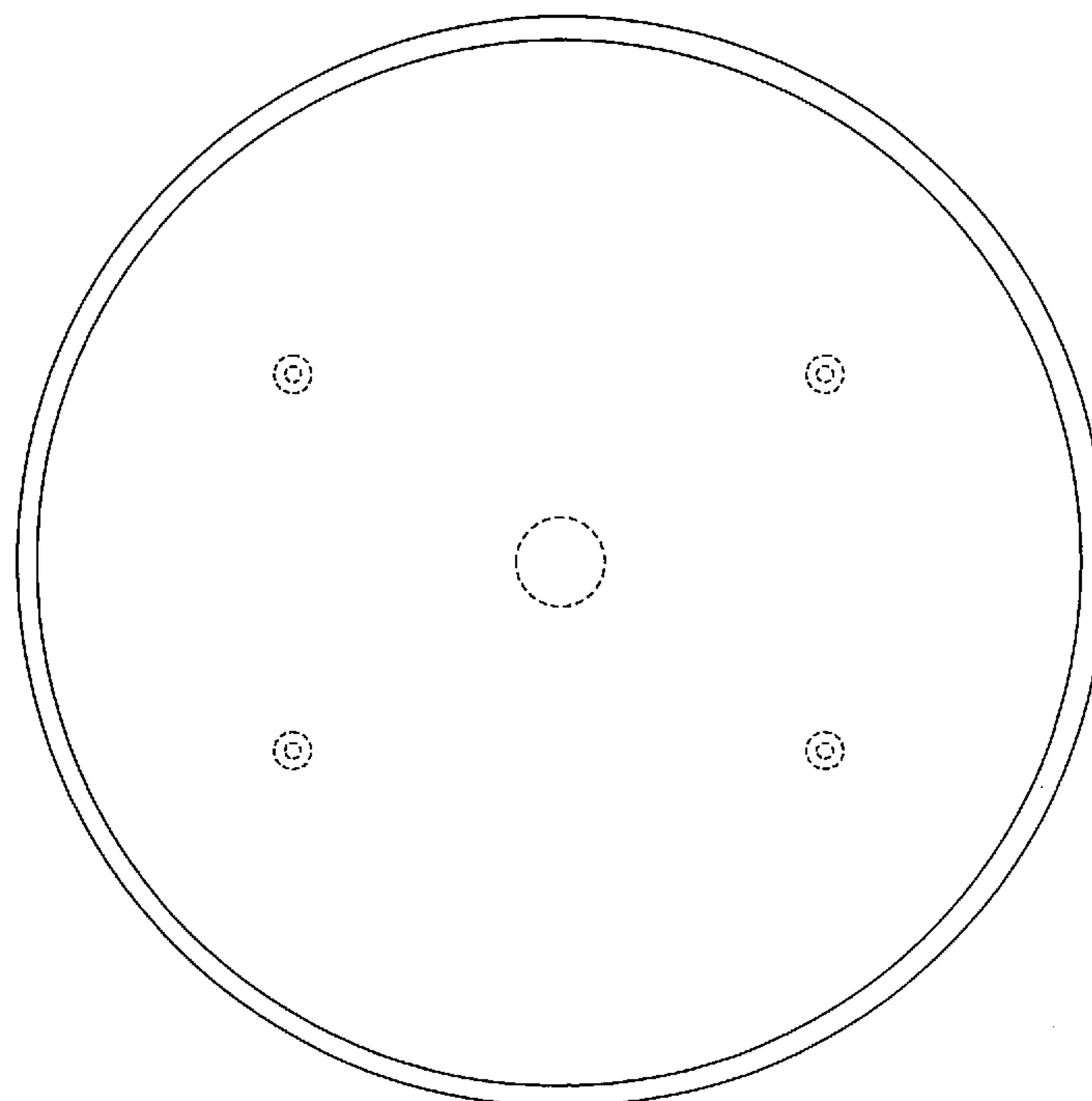
FIG. 5 is a top view thereof;

FIG. 6 is a bottom view thereof; and,

FIG. 7 is a side view of the design of FIG. 4.

The broken lines shown in the drawings are for the purpose of illustrating unclaimed portions of the umbrella stand and form no part of the claimed design.

1 Claim, 7 Drawing Sheets



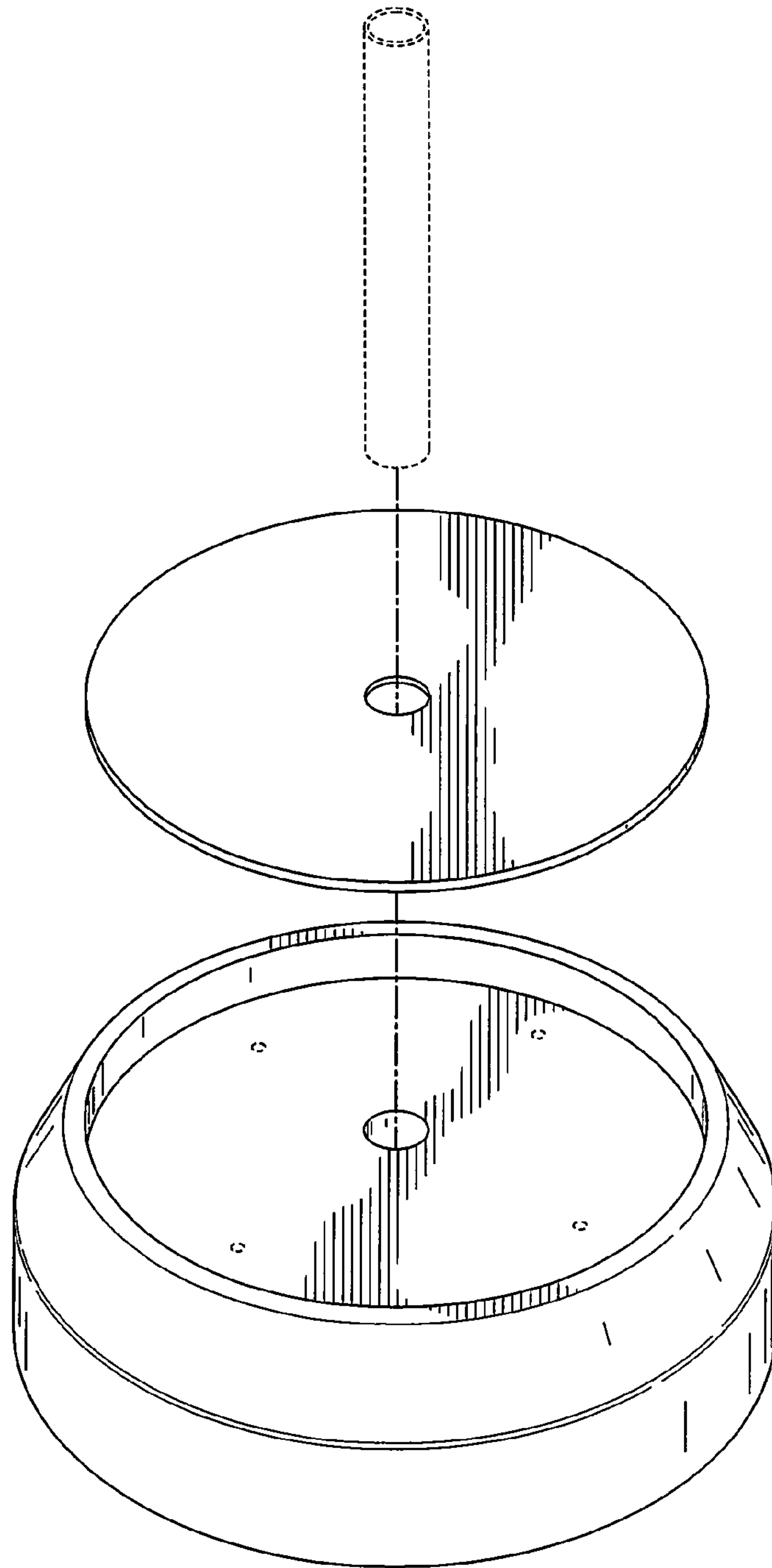


FIG. 1

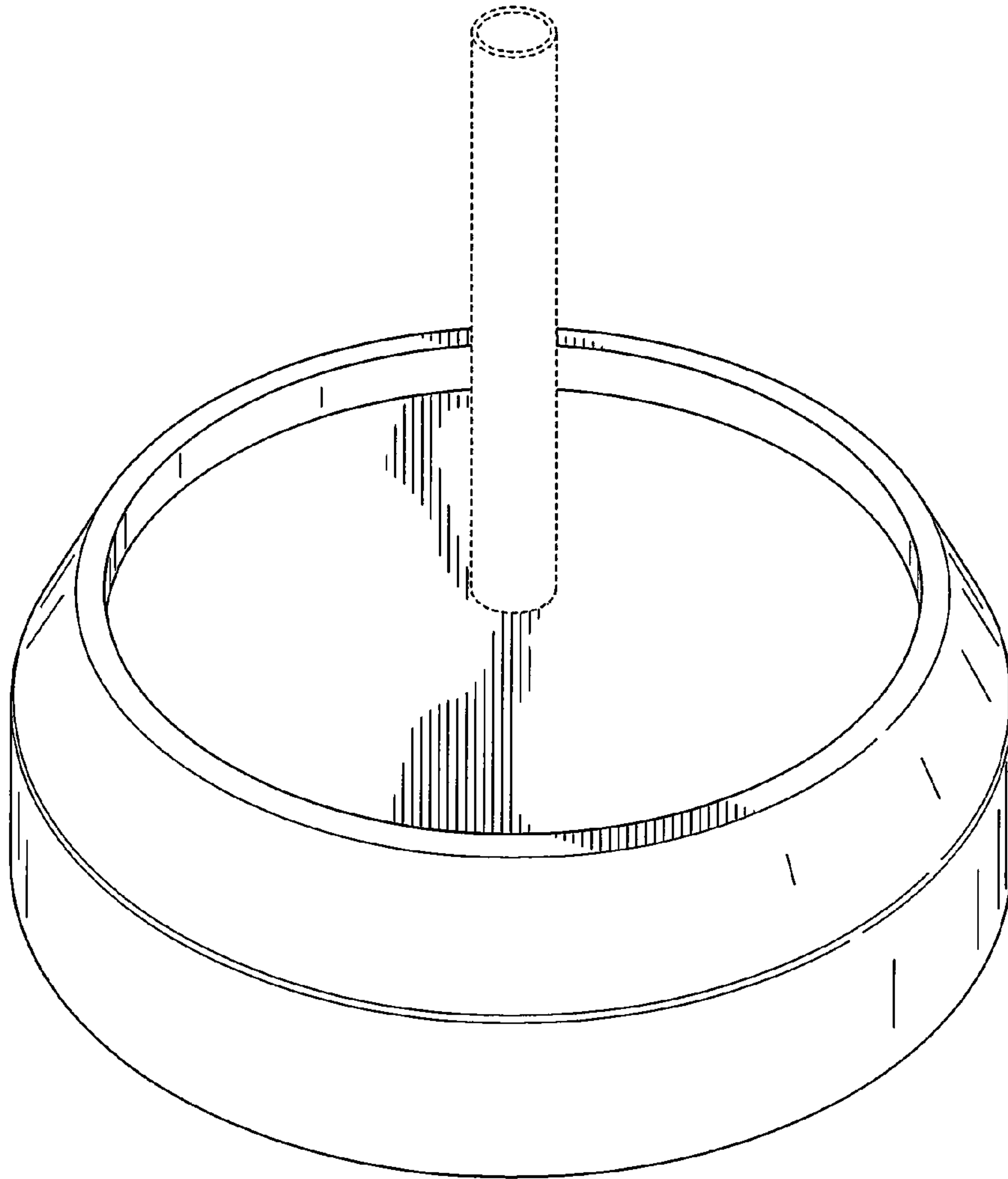


FIG. 2

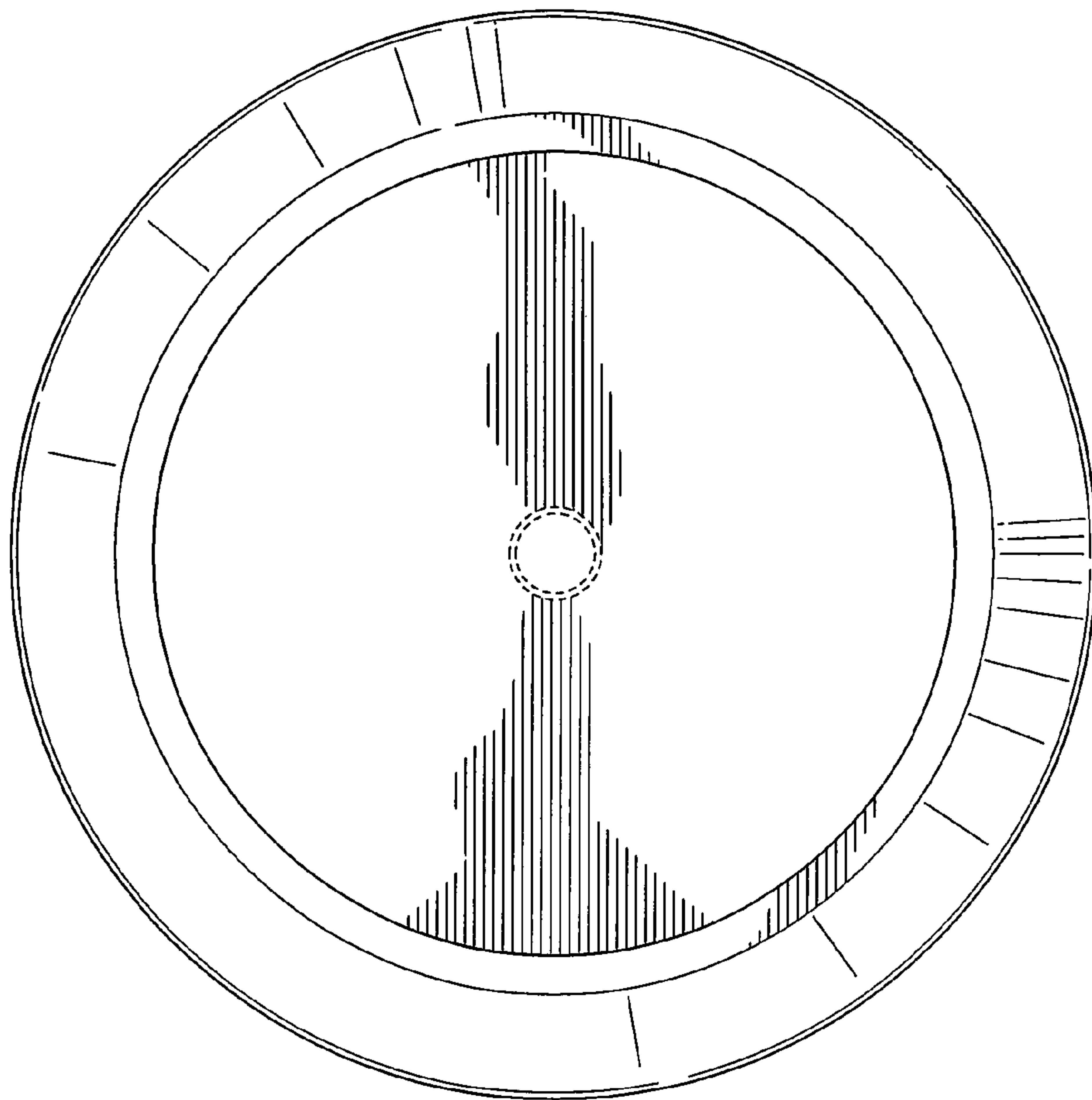


FIG. 3

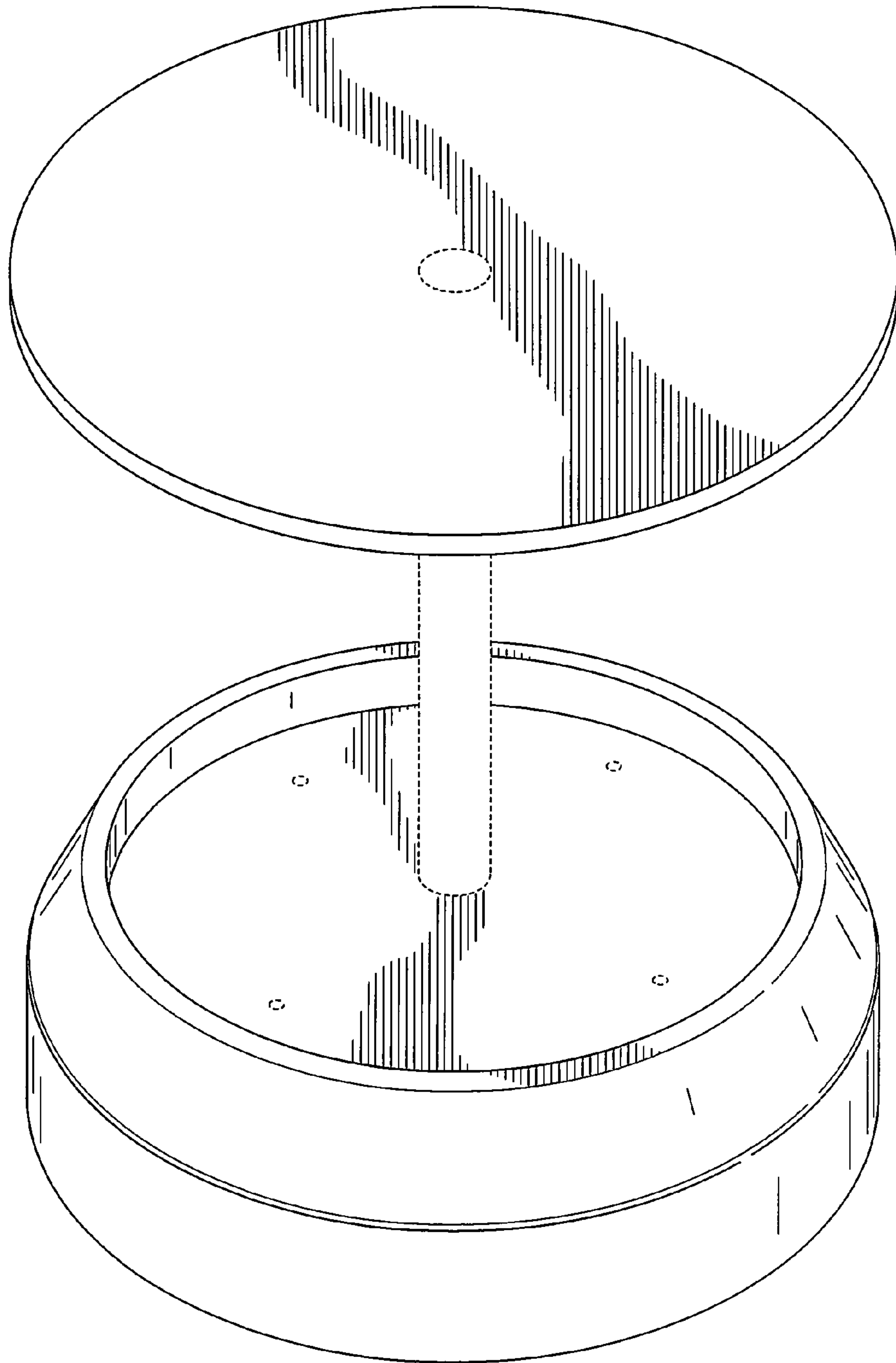


FIG. 4

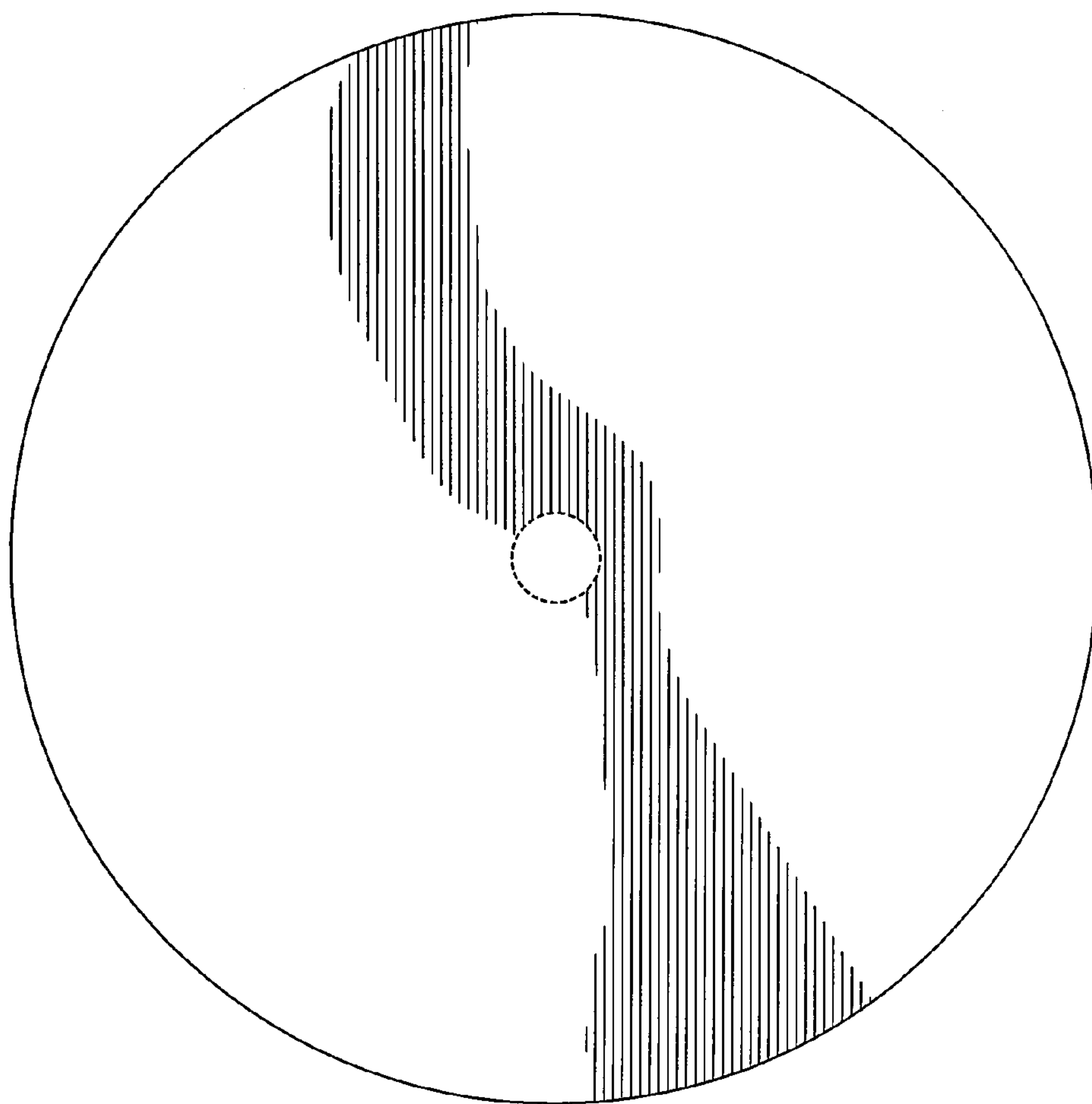


FIG. 5

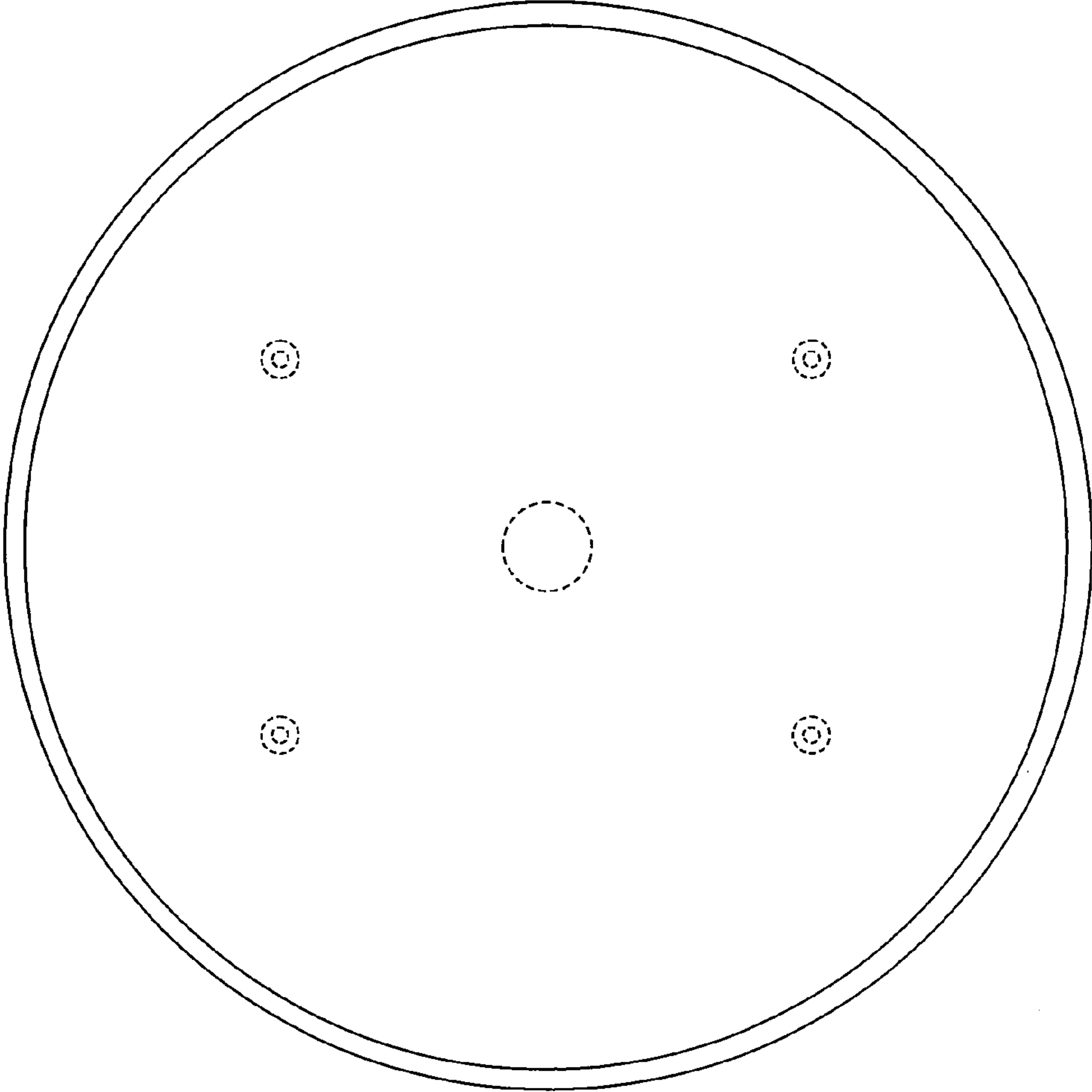


FIG. 6

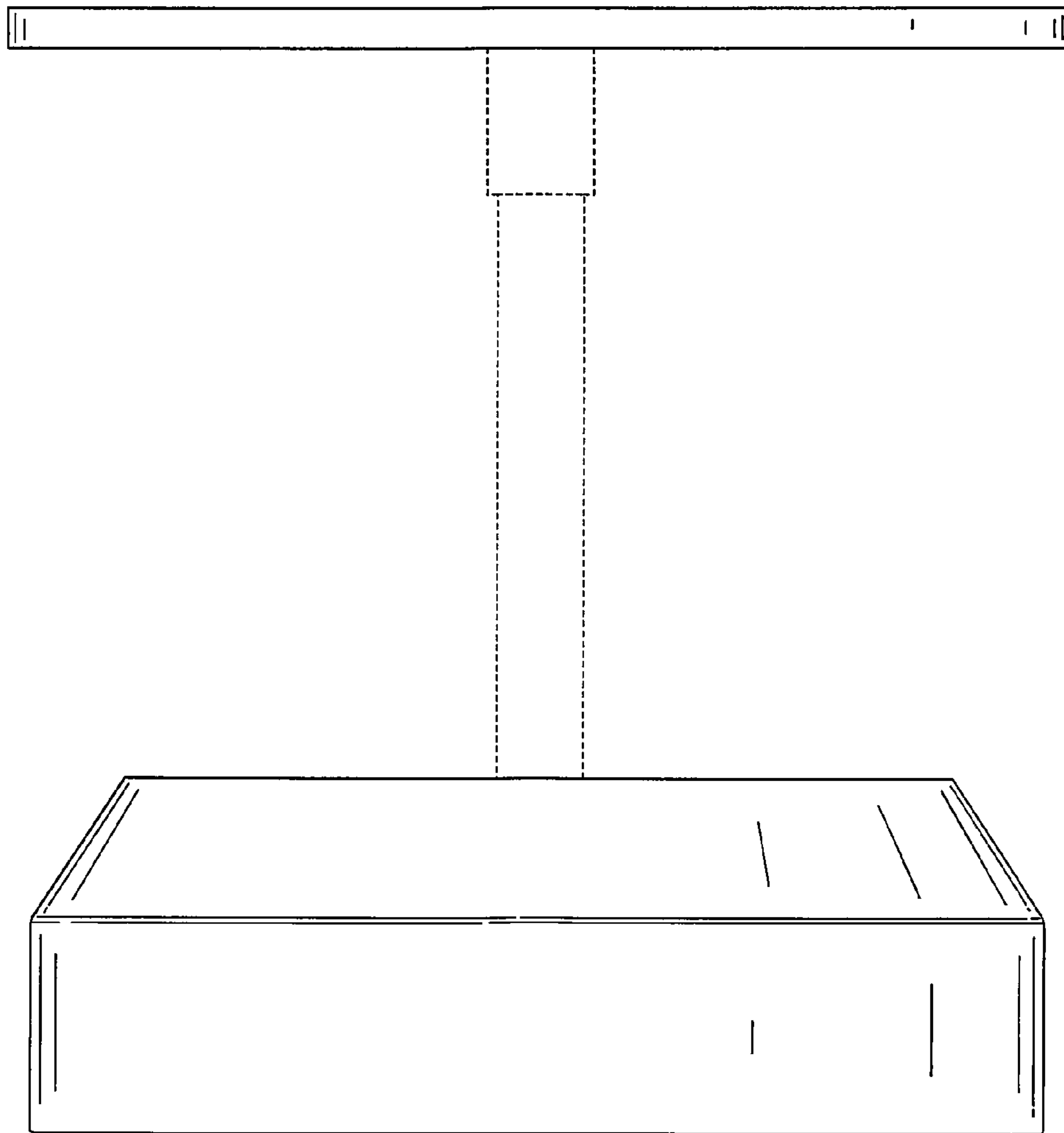


FIG. 7