



US00D740512S

(12) **United States Design Patent**
Reeves

(10) **Patent No.:** **US D740,512 S**
(45) **Date of Patent:** **** Oct. 6, 2015**

(54) **JACK-STAND TRAY**

(56) **References Cited**

(71) Applicant: **Steven Wray Reeves**, Simi Valley, CA
(US)

U.S. PATENT DOCUMENTS

(72) Inventor: **Steven Wray Reeves**, Simi Valley, CA
(US)

D425,281	S	*	5/2000	Ridge	D34/31
6,086,099	A	*	7/2000	Kingsbury	280/766.1
6,099,016	A	*	8/2000	Peveler	280/475
D443,747	S	*	6/2001	Ridge	D34/31
6,302,381	B1	*	10/2001	Roll	254/425
6,581,913	B1	*	6/2003	Conomos et al.	254/133 R
D639,013	S	*	5/2011	Ahrenholtz	D34/31
D659,937	S	*	5/2012	Pugh et al.	D34/31
D727,587	S	*	4/2015	Reeves	D34/31

(**) Term: **14 Years**

(21) Appl. No.: **29/518,994**

* cited by examiner

(22) Filed: **Mar. 1, 2015**

Primary Examiner — Cynthia Ramirez
(74) *Attorney, Agent, or Firm* — Coastal Patent Law Group, P.C.

Related U.S. Application Data

(62) Division of application No. 29/449,289, filed on Mar. 14, 2013, now Pat. No. Des. 727,587.

(57) **CLAIM**

I claim the ornamental design for a jack-stand tray, as shown and described.

(51) **LOC (10) Cl.** **12-05**

DESCRIPTION

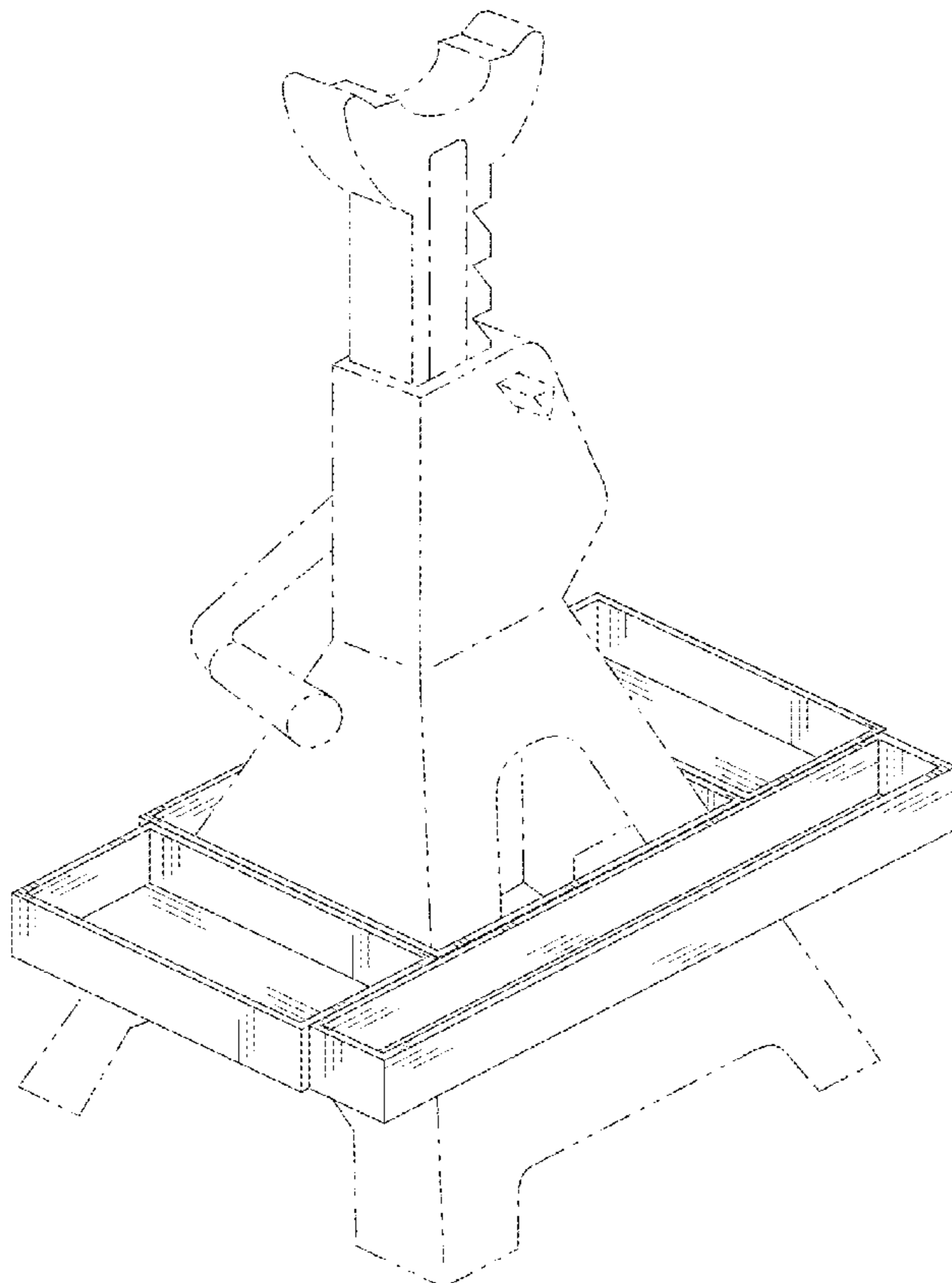
(52) **U.S. Cl.**
USPC **D34/31**

FIG. 1 shows a jack-stand tray engaged with a conventional jack-stand, the dashed lines indicate environmental subject matter only which forms no part of the claimed invention; FIG. 2 shows a front perspective view of the jack-stand tray showing a top, front, and left side thereof; FIG. 3 shows a rear perspective view of the jack-stand tray showing a top, rear, and right side thereof; and, FIG. 4 shows a bottom view of the jack-stand tray.

(58) **Field of Classification Search**
USPC D34/31, 35; 254/2 R, 8 R, 11, 84, 93 H, 254/93 R, 1, 12
CPC .. B62B 3/0625; B62B 3/0618; B62B 3/0612; B66F 3/24; B66F 5/04

See application file for complete search history.

1 Claim, 3 Drawing Sheets



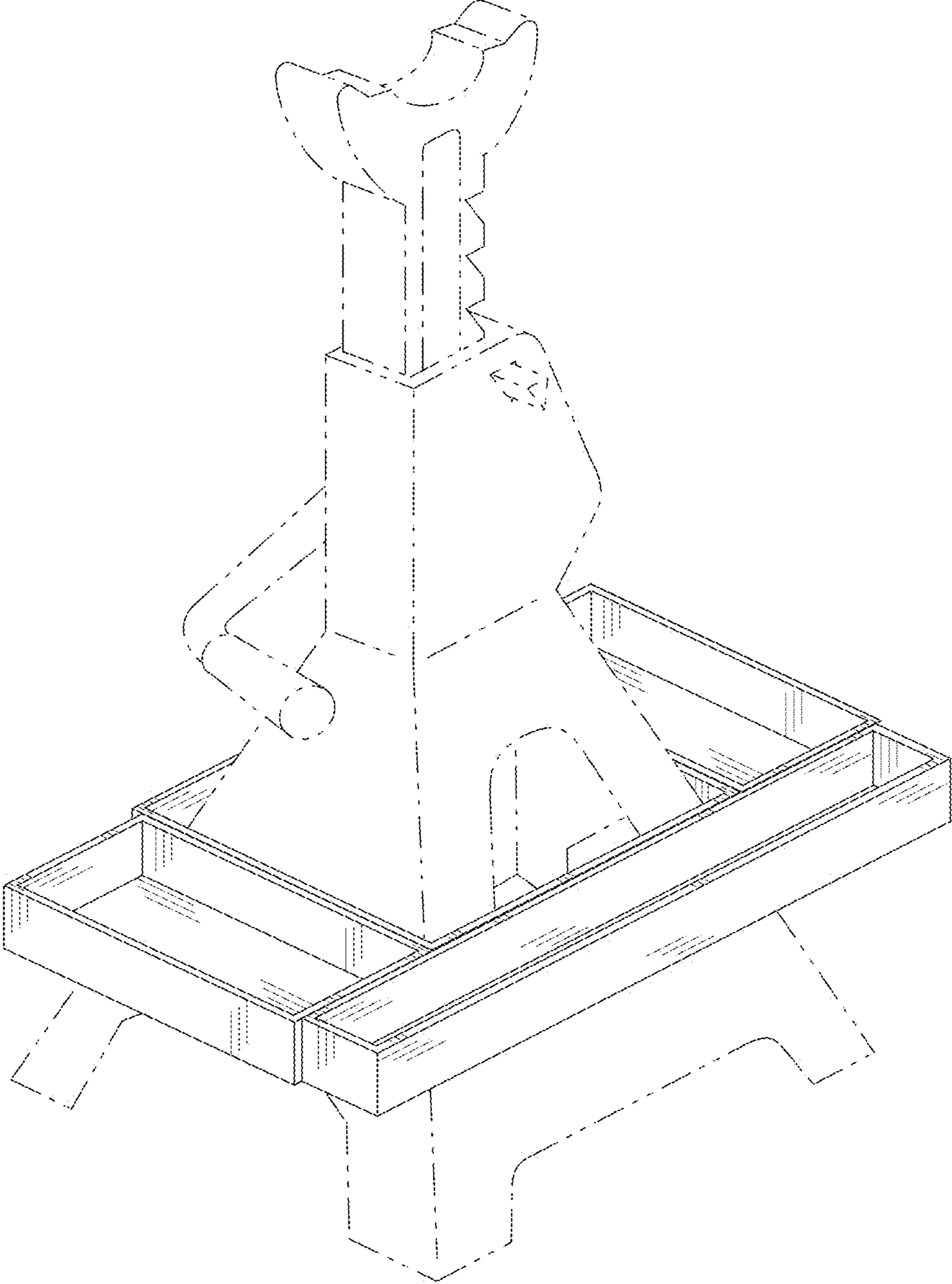


Fig. 1

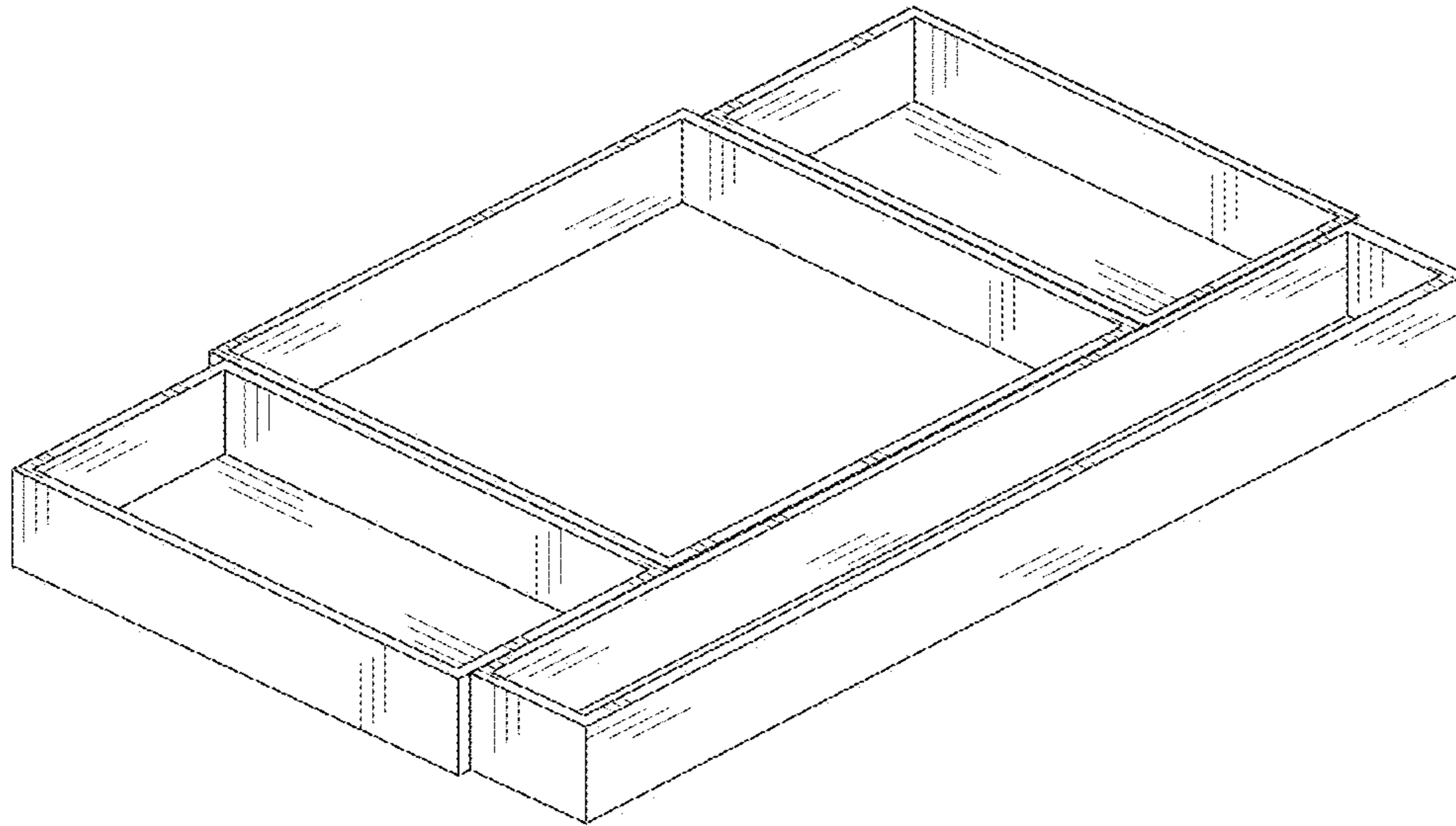


Fig. 2

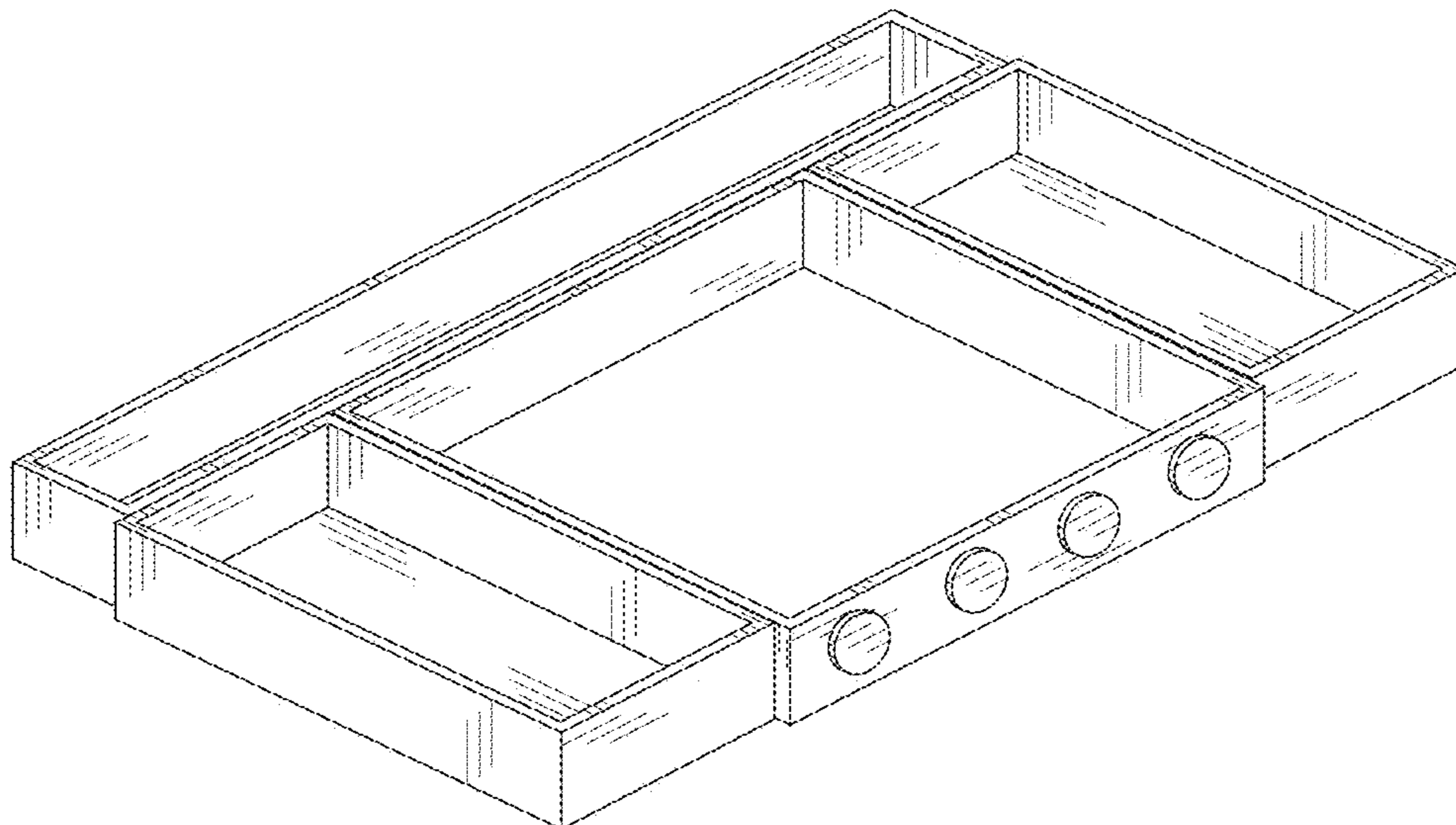


Fig. 3

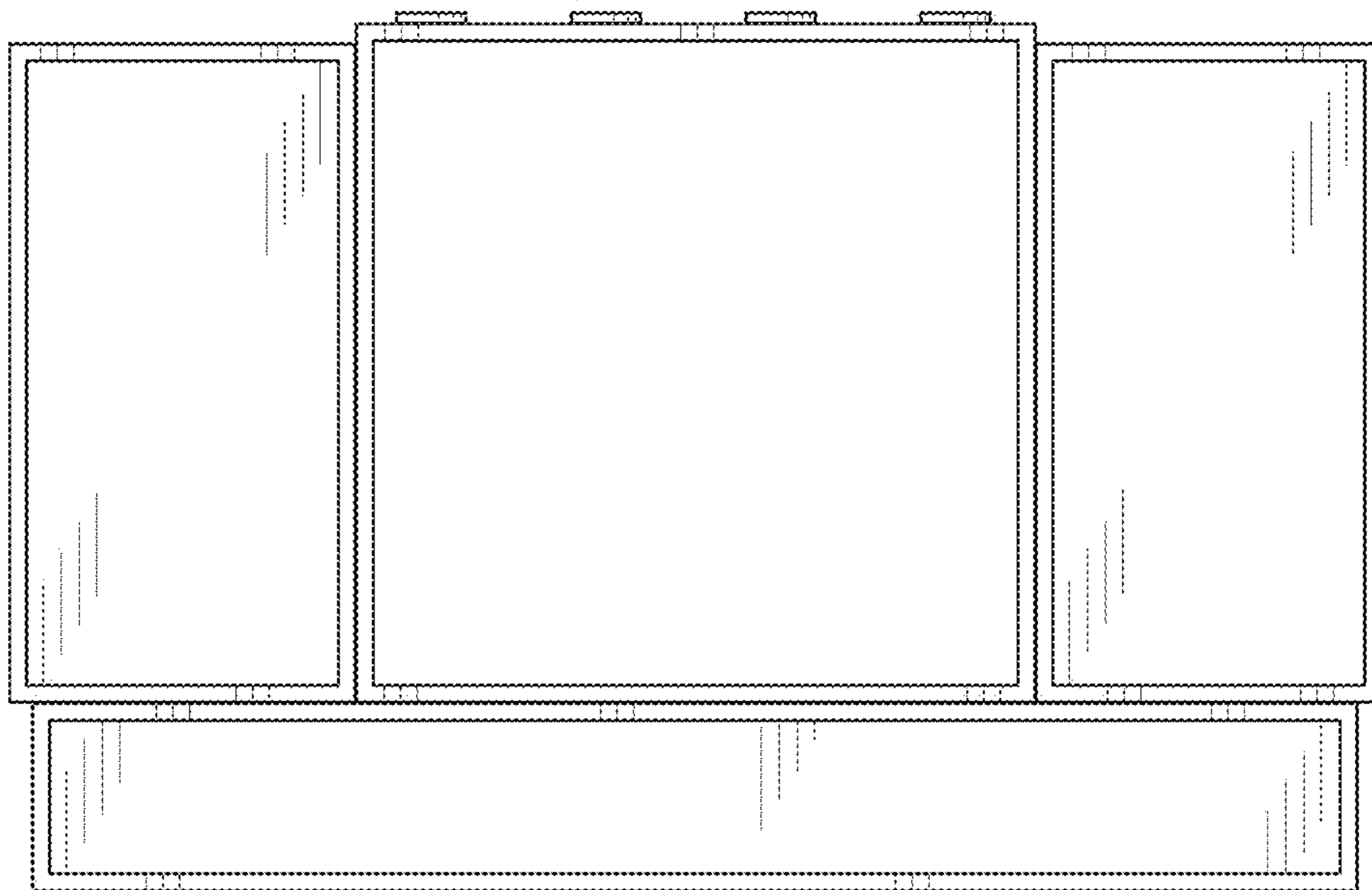


Fig. 4