

US00D740510S

(12) **United States Design Patent**
Arvinte et al.

(10) **Patent No.:** **US D740,510 S**
(45) **Date of Patent:** **** Oct. 6, 2015**

(54) **HANDLE FOR PORTABLE CONTAINER**

8,505,788 B2 * 8/2013 Thibault 224/148.7

* cited by examiner

(71) Applicant: **A. RICHARD TOOLS CO.**,
Berthierville (Quebec) (CA)

Primary Examiner — Robin V Webster

(74) *Attorney, Agent, or Firm* — Merchant & Gould P.C.

(72) Inventors: **Romeo Arvinte**, Laval-des-Rapides
(CA); **Francois Panfili**, Berthierville
(CA)

(57) **CLAIM**

The ornamental design for a handle for portable container, as shown and described.

(73) Assignee: **A. Richard Tools Co.**, Berthierville,
Quebec (CA)

DESCRIPTION

(**) Term: **14 Years**

FIG. 1 is a rear perspective view of the handle for portable container removably mounted onto a portable container, such as a paint pail;

(21) Appl. No.: **29/494,632**

FIG. 2 is a front perspective view thereof;

(22) Filed: **Jun. 23, 2014**

FIG. 3 is a rear perspective view of the handle for portable container shown in FIG. 1;

(51) **LOC (10) Cl.** **07-07**

FIG. 4 is a front perspective view thereof;

(52) **U.S. Cl.**

FIG. 5 is a rear elevational view thereof;

USPC **D32/54**

FIG. 6 is a front elevational view thereof;

(58) **Field of Classification Search**

FIG. 7 is a left side elevational view thereof, a right side elevational view not being shown as it is a mirror image of the left side elevational view;

USPC D32/53, 53.1, 54; 15/260–264, 119.1,
15/120.1; D9/429; 220/904, 659, 770,
220/752, 753; D8/107

FIG. 8 is a top view thereof;

CPC A47J 47/18; A47L 13/58; B65D 37/00

FIG. 9 is a bottom view thereof;

See application file for complete search history.

FIG. 10 is a front perspective view of an alternate embodiment of the handle for portable container;

(56) **References Cited**

U.S. PATENT DOCUMENTS

4,895,269 A * 1/1990 Cade 220/695
D356,585 S * 3/1995 Hersant et al. D15/142
6,241,415 B1 * 6/2001 Stark 403/17
D530,052 S * 10/2006 Berti D32/53

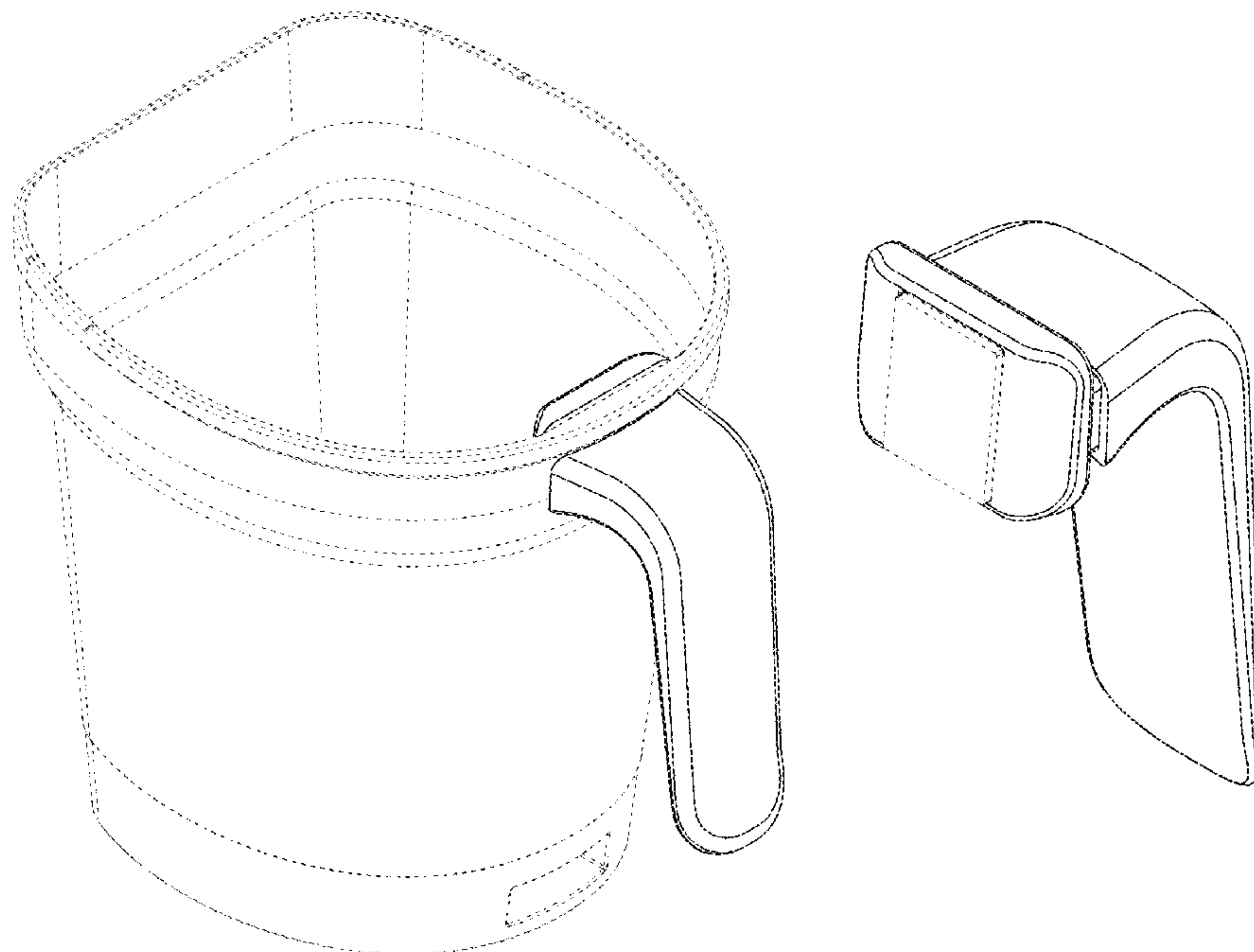
FIG. 11 is a front perspective view of a second alternate embodiment of the handle for portable container;

FIG. 12 is a front perspective view of a third alternate embodiment of the handle for portable container; and,

FIG. 13 is a rear perspective view of a fourth alternate embodiment of the handle for portable container.

The portions shown in dashed lines form no part of the design.

1 Claim, 12 Drawing Sheets



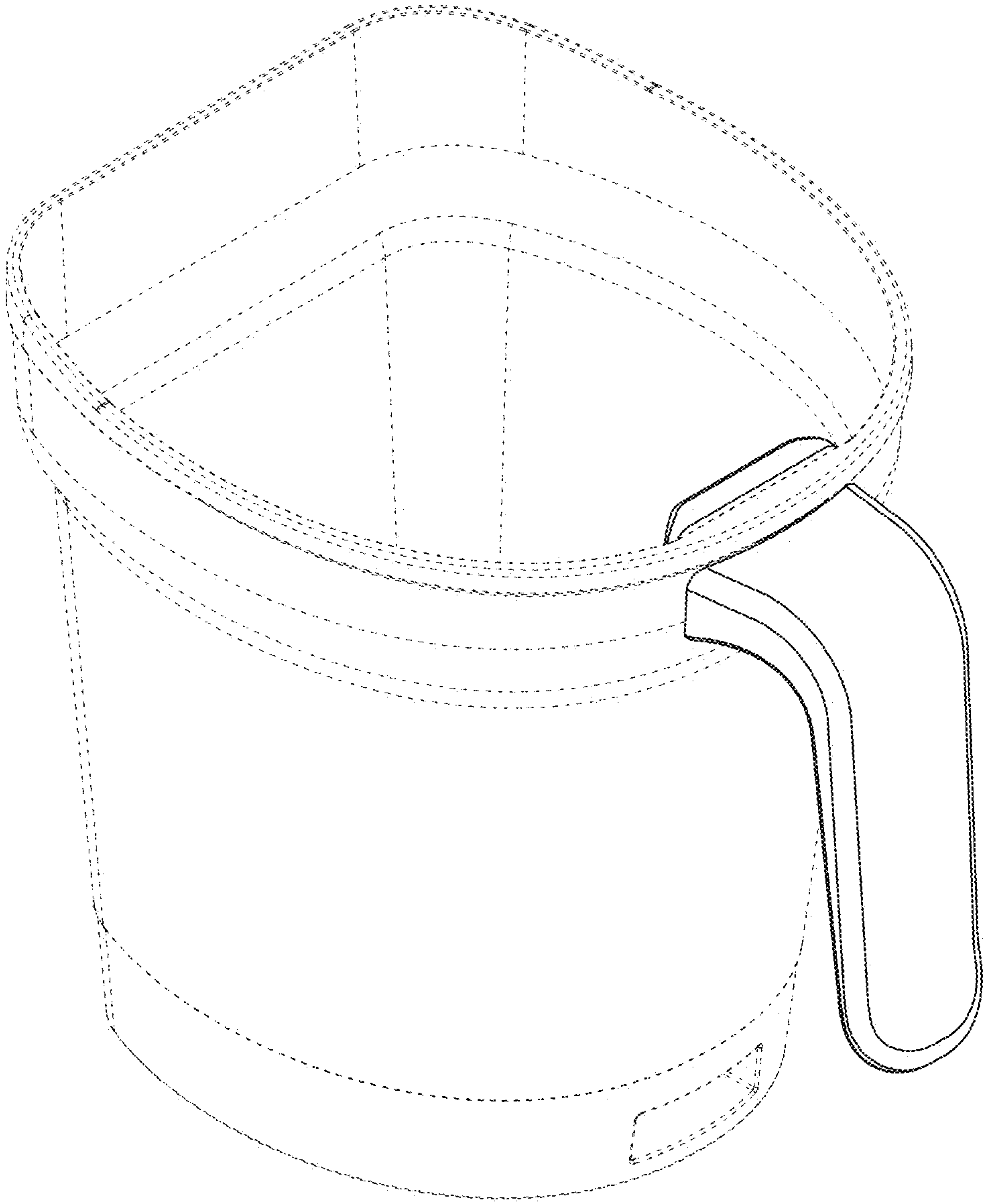


FIG. 1

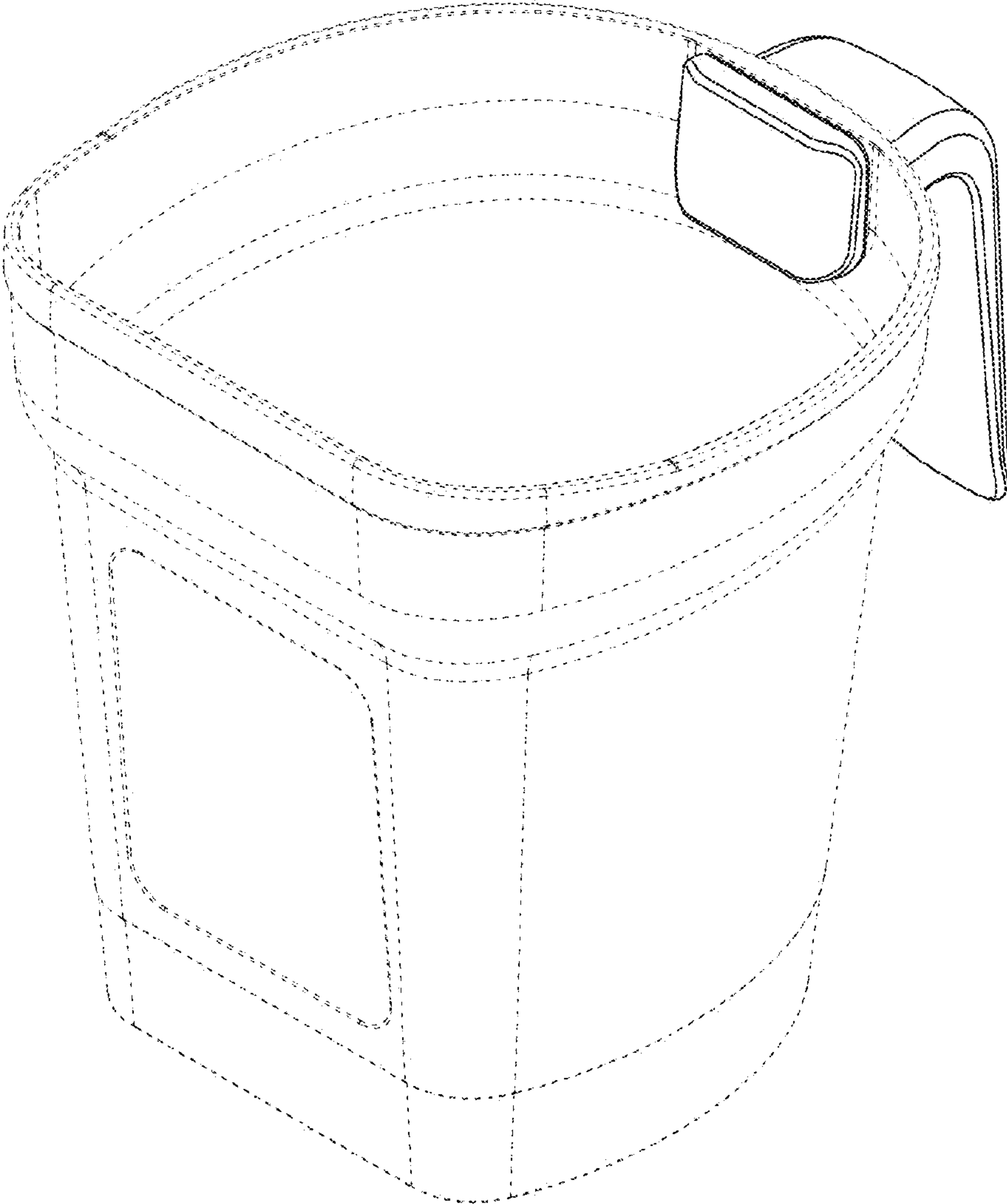


FIG. 2

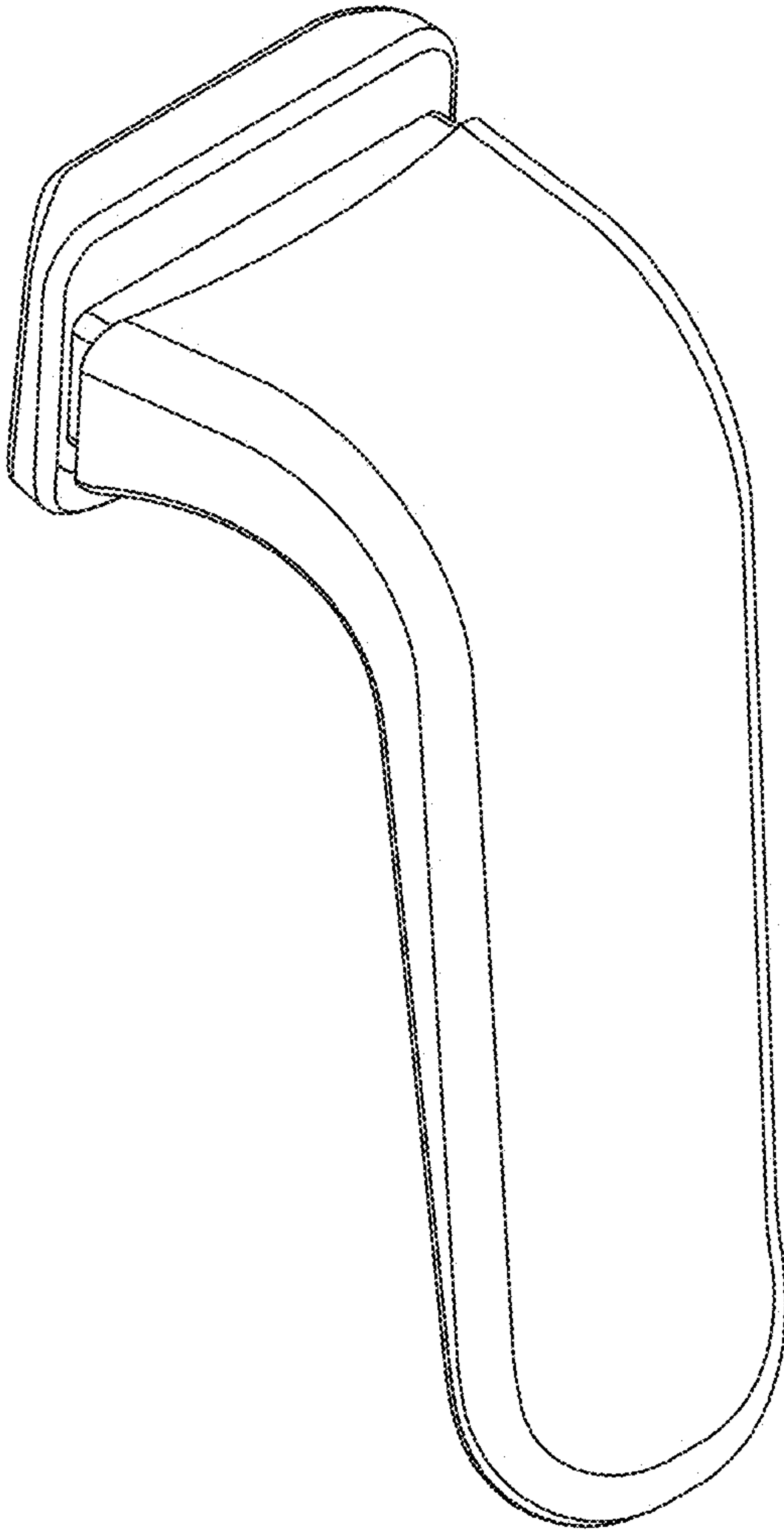


FIG. 3

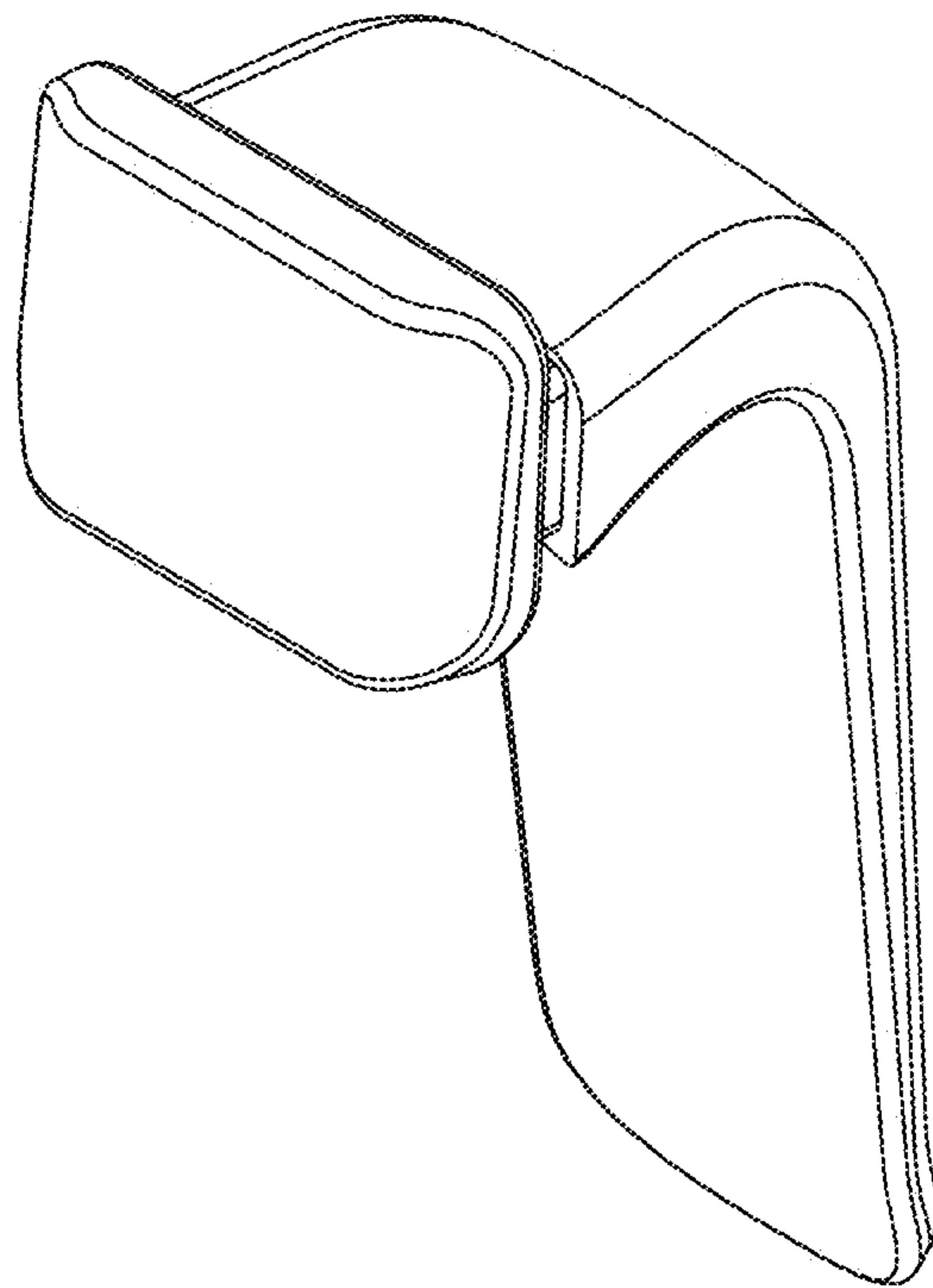


FIG. 4

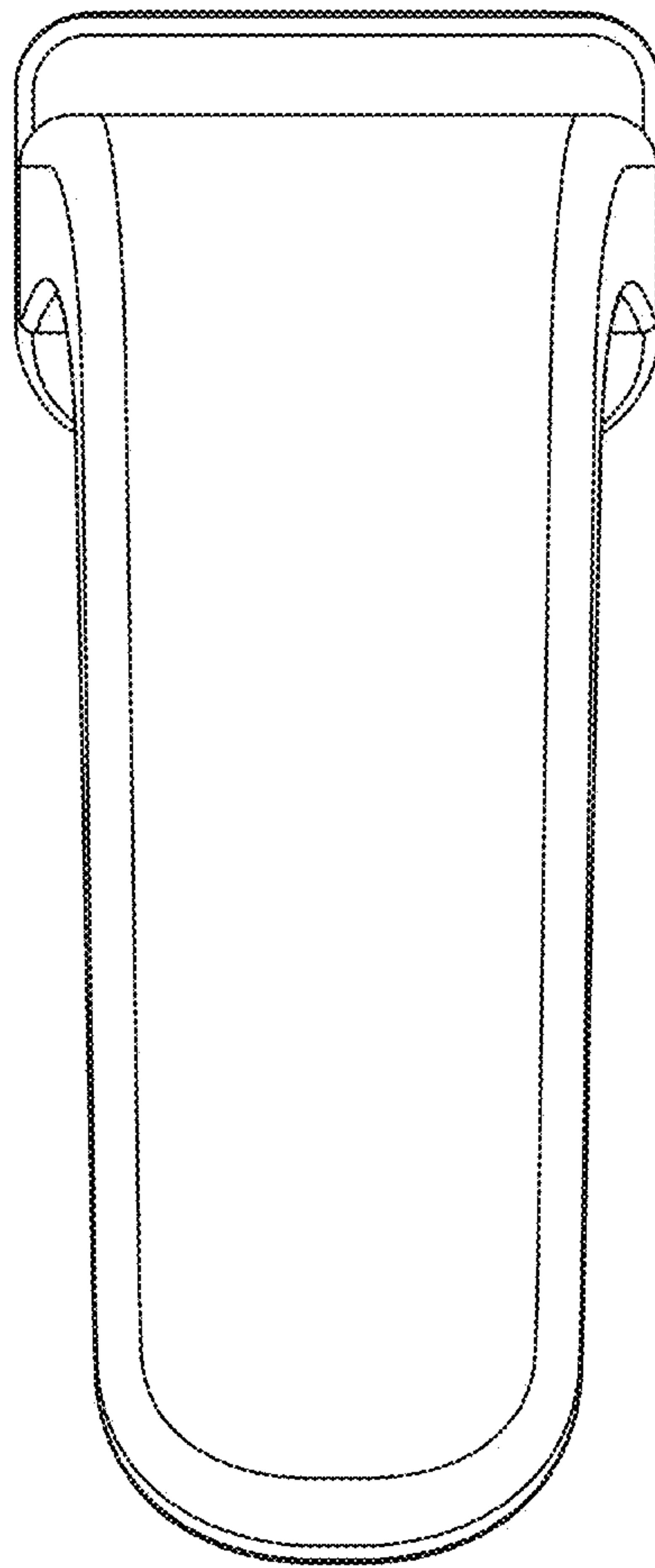


FIG. 5

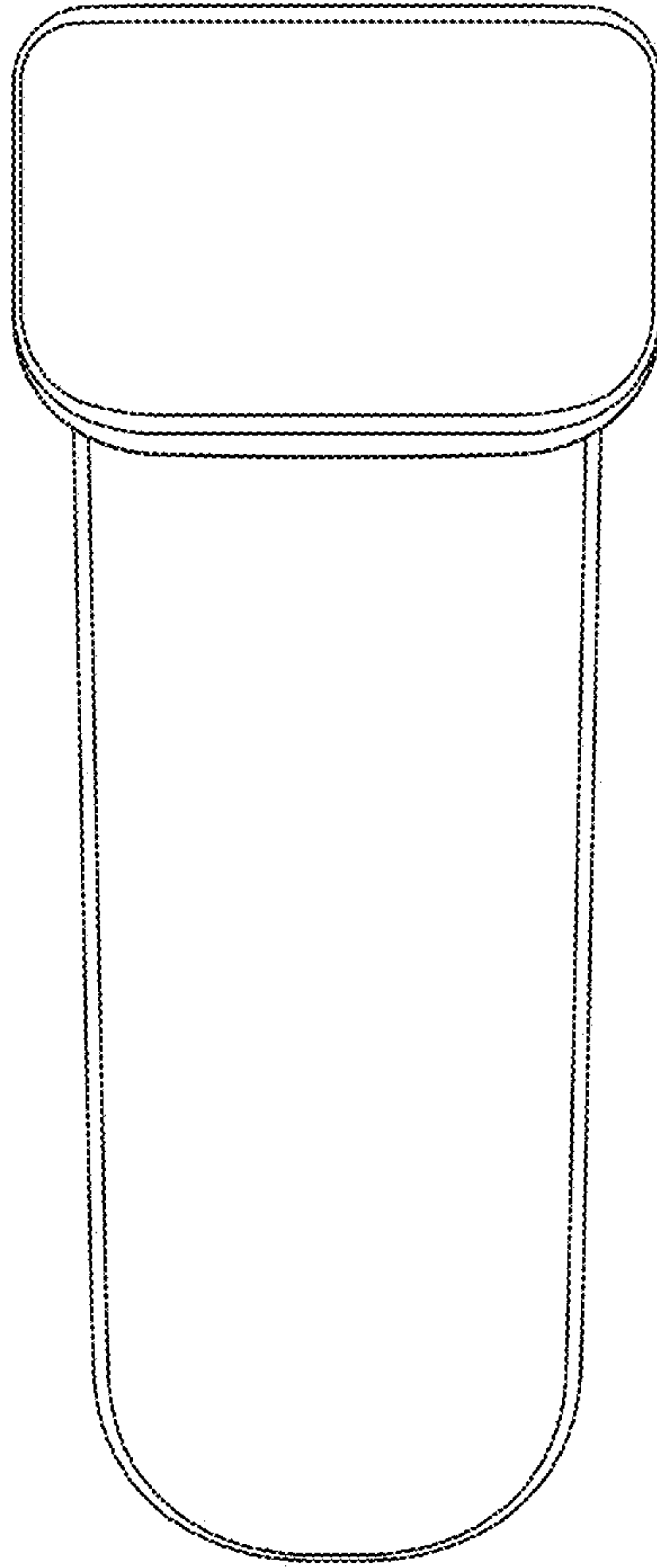


FIG. 6

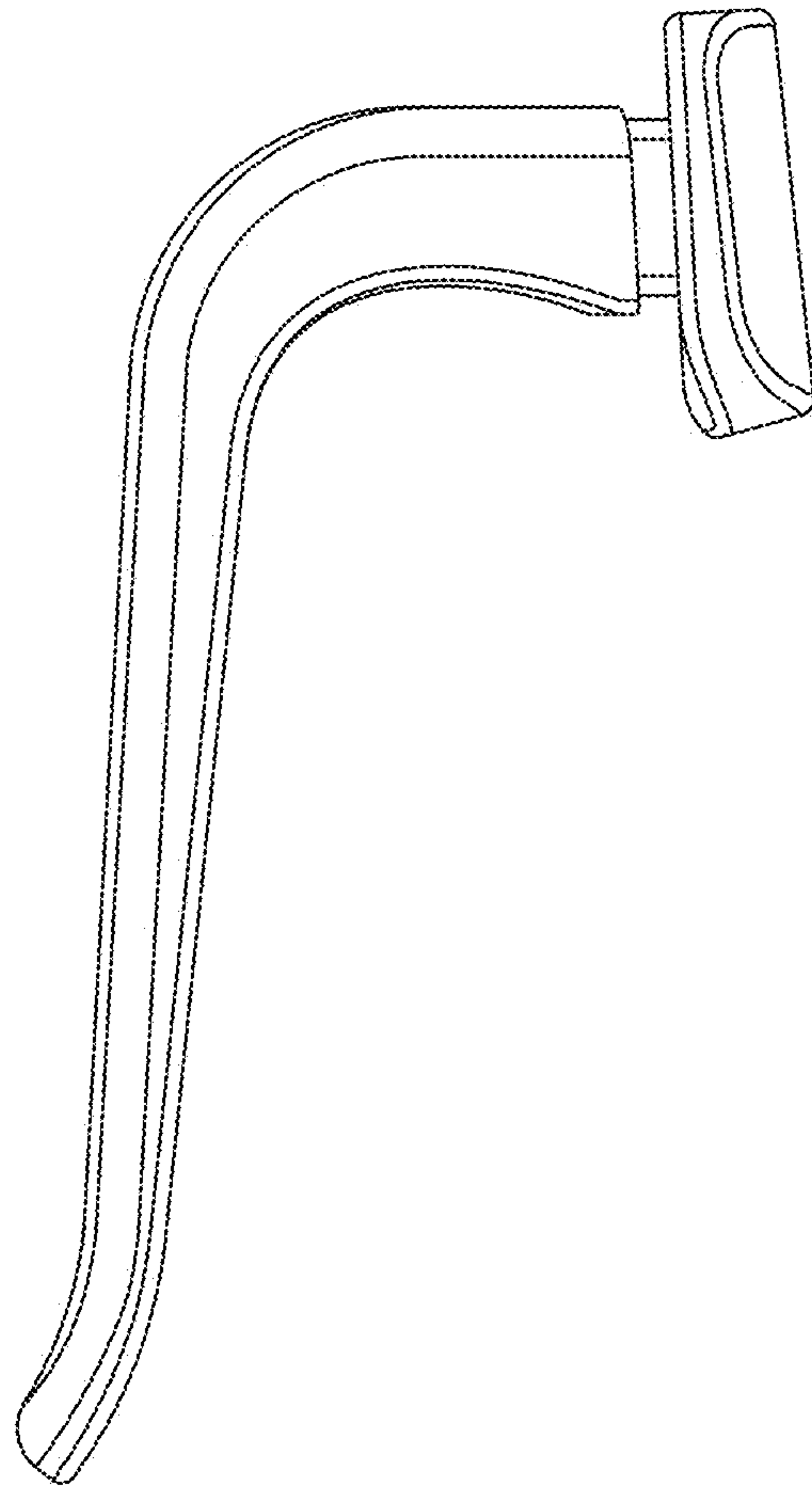


FIG. 7

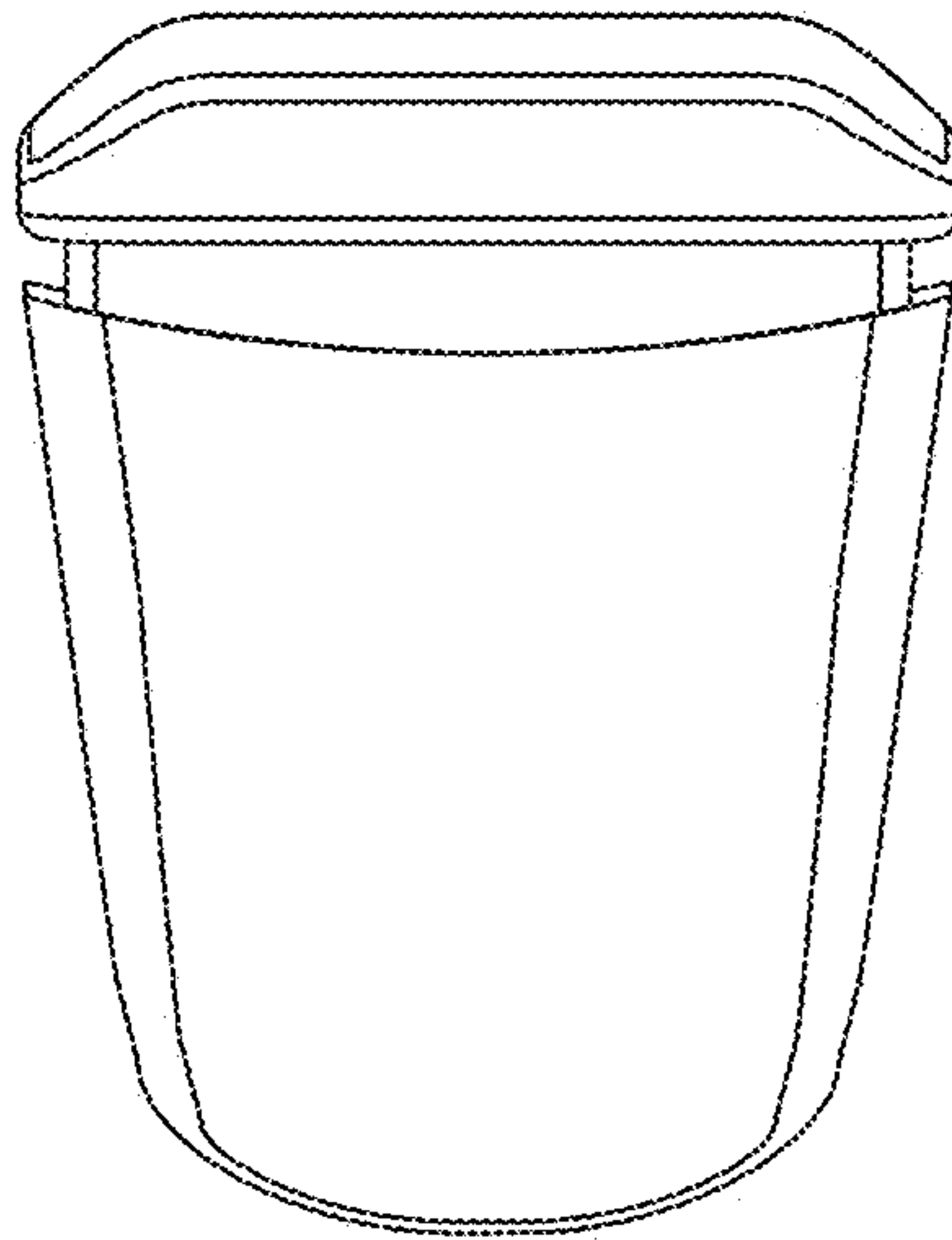


FIG. 8

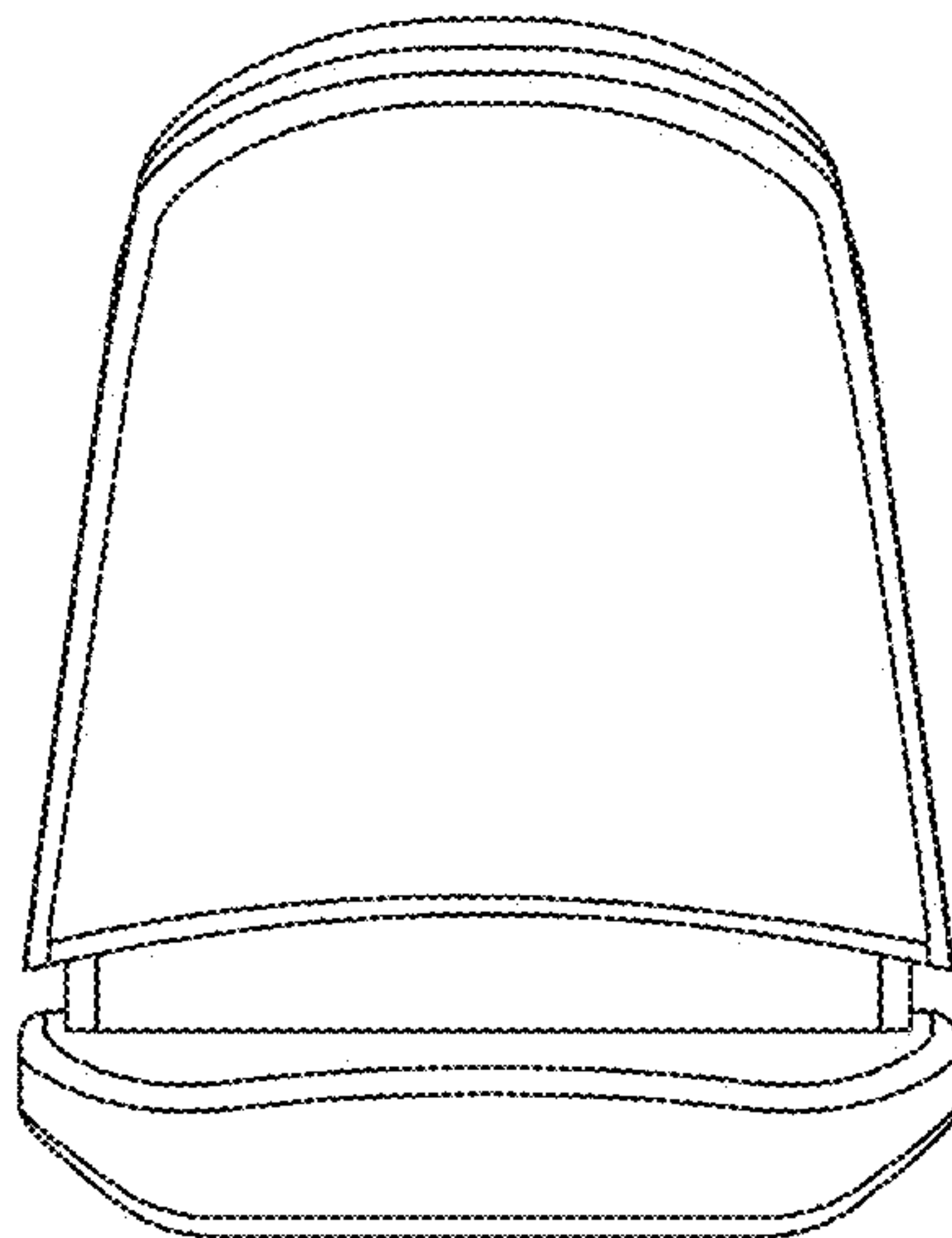


FIG. 9

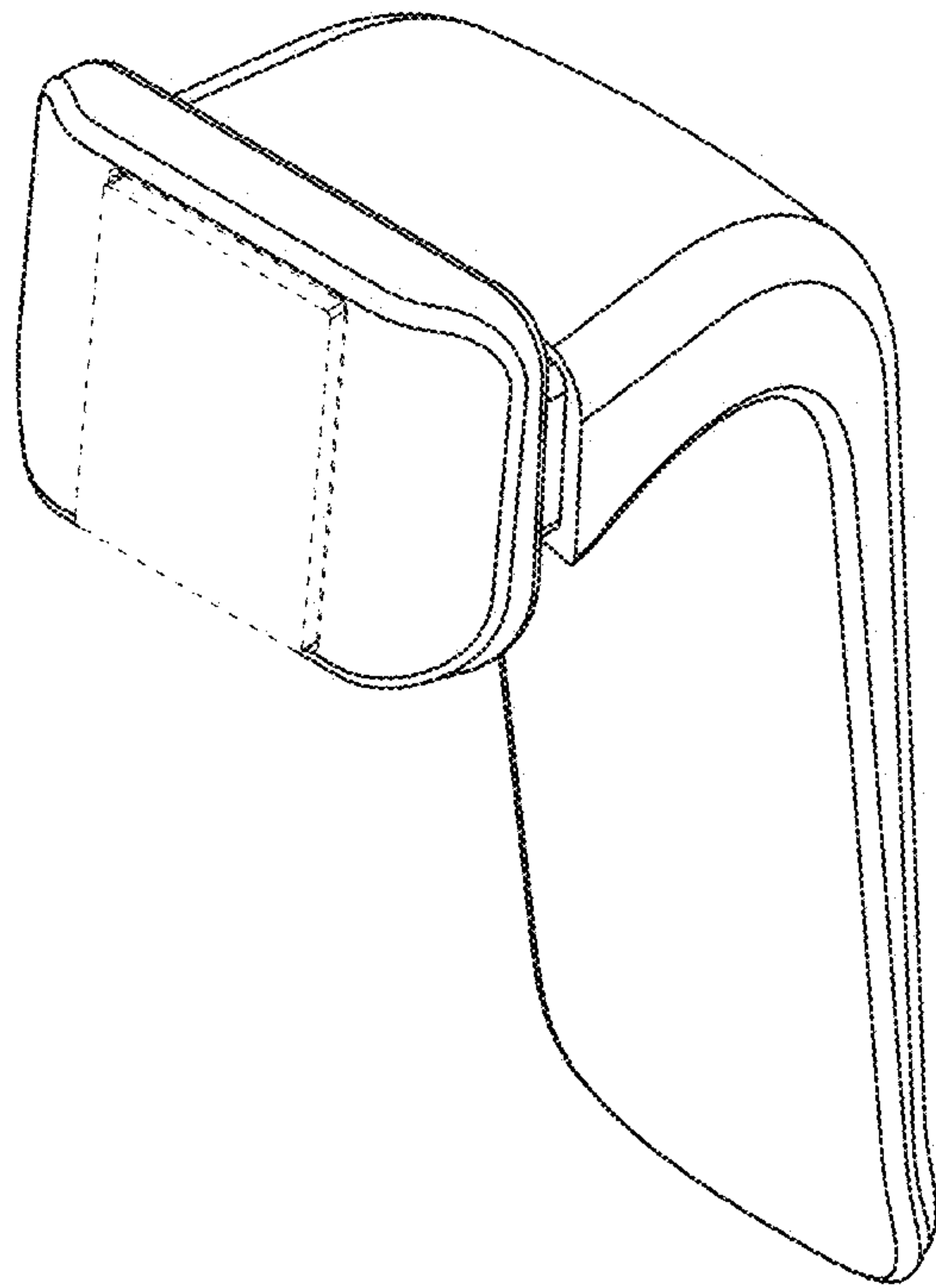


FIG. 10

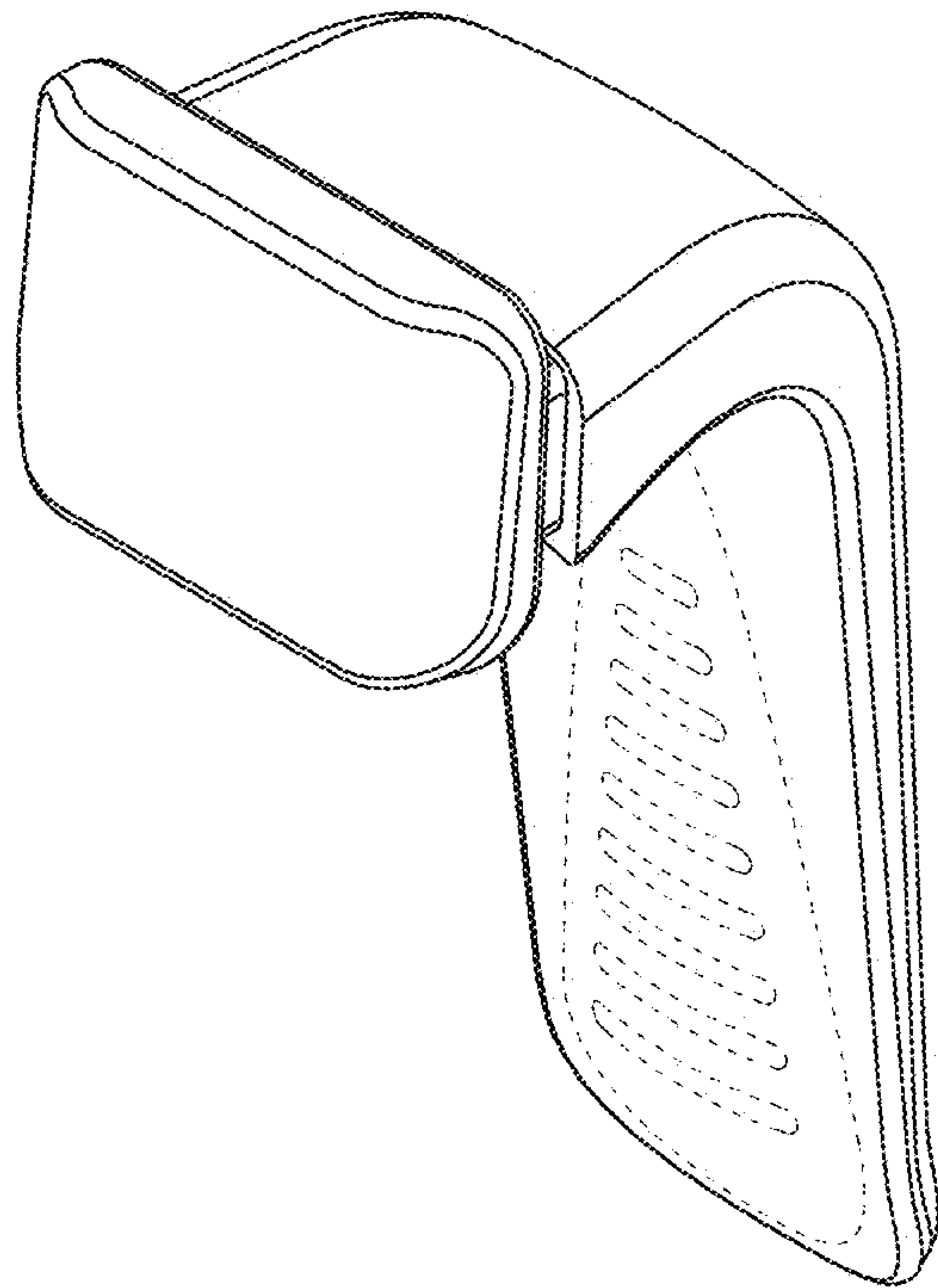


FIG. 11

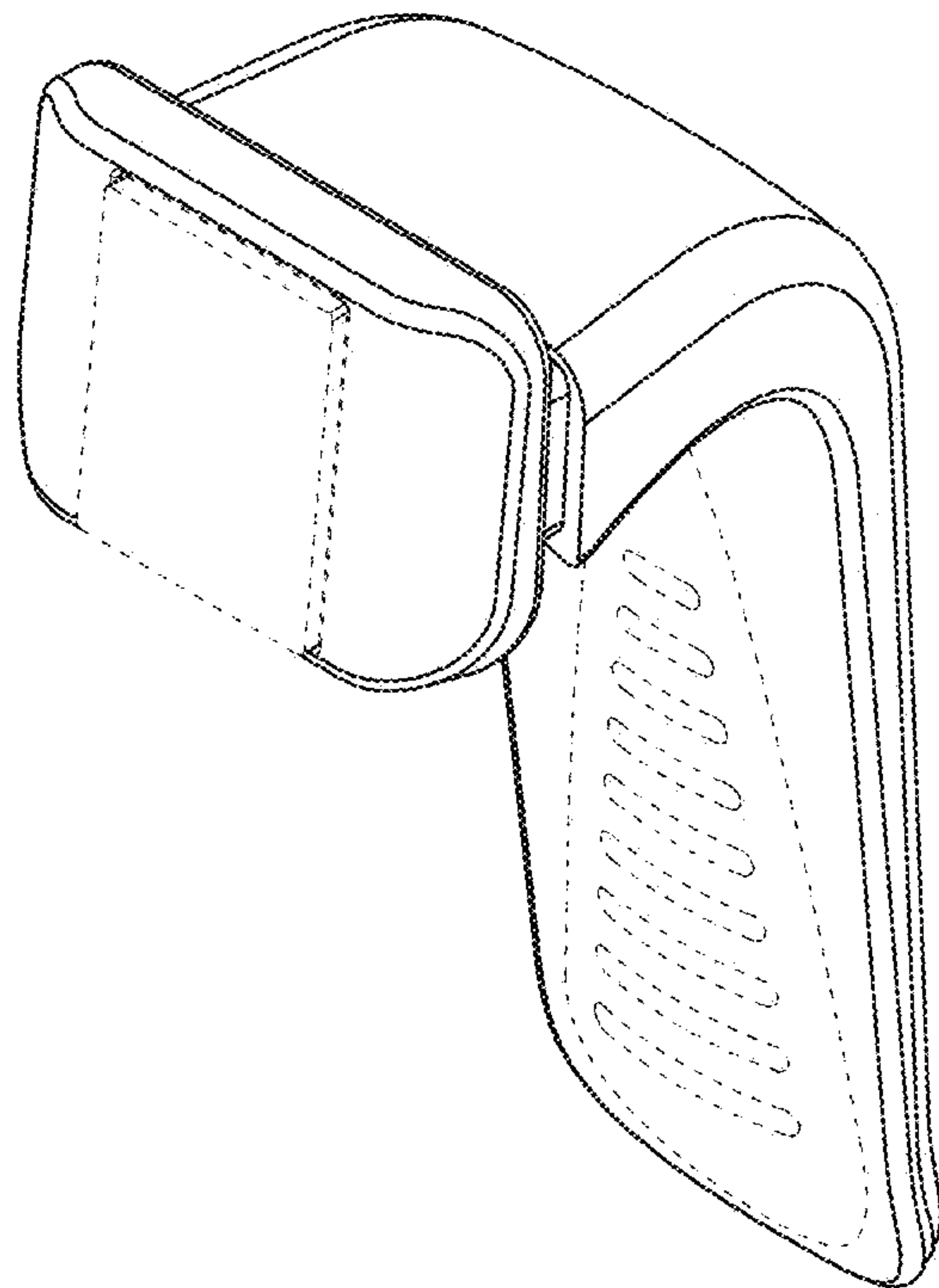


FIG. 12

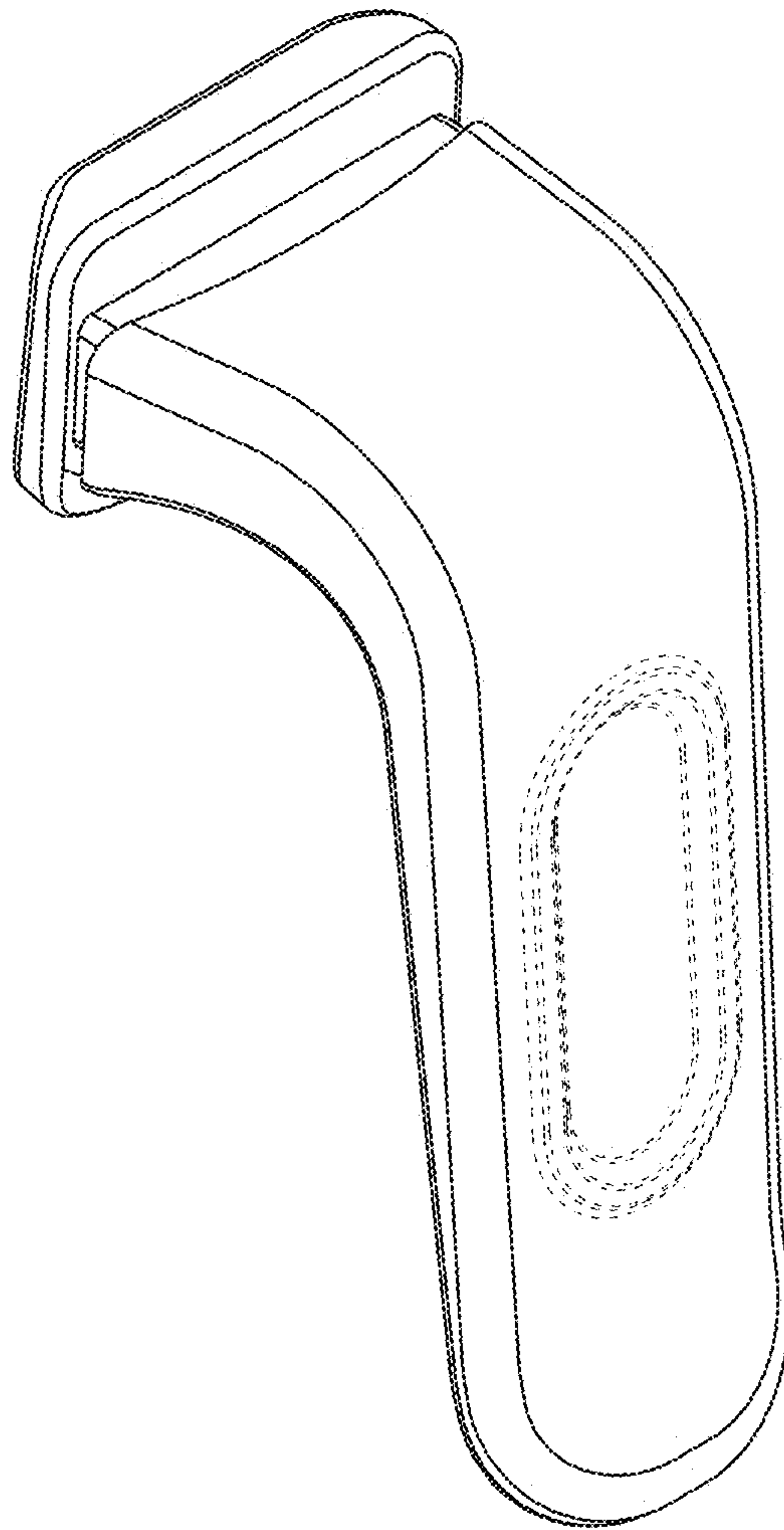


FIG. 13