



US00D740508S

(12) **United States Design Patent**  
**Brandon**

(10) **Patent No.:** **US D740,508 S**

(45) **Date of Patent:** **\*\* Oct. 6, 2015**

(54) **COMBINATION BUCKET AND DUSTPAN**

(71) Applicant: **Judith H Brandon**, Cleveland, OH (US)

(72) Inventor: **Judith H Brandon**, Cleveland, OH (US)

(\*\*) Term: **14 Years**

(21) Appl. No.: **29/474,182**

(22) Filed: **Jul. 1, 2014**

(51) **LOC (10) Cl.** ..... **07-07**

(52) **U.S. Cl.**  
USPC ..... **D32/53; D32/74**

(58) **Field of Classification Search**  
USPC ..... D32/53, 53.1, 54, 74; 15/260–264,  
15/119.1, 120.1, 257.1; D9/429; 220/904,  
220/659, 770, 752, 753, 696  
CPC ..... A47J 47/18; A47L 13/58; B65D 37/00  
See application file for complete search history.

(56) **References Cited**

**U.S. PATENT DOCUMENTS**

335,776	A *	2/1886	Rock	209/353
D28,095	S *	12/1897	Mills	D32/53
2,676,728	A	4/1954	Smith	220/20
3,170,183	A	2/1965	Leatherman	15/257.1
3,346,271	A	10/1967	Parsons	280/33.99
D236,578	S *	9/1975	Powell	D32/53
4,312,531	A *	1/1982	Cross	248/99
4,442,567	A	4/1984	Pravettone	15/257.4
4,795,046	A *	1/1989	Rath	220/694
4,802,258	A	2/1989	Jensen	15/257.1
D305,467	S *	1/1990	Dagge	D32/53
D324,118	S *	2/1992	Martin	D32/53
D351,699	S	10/1994	Temple et al.	D34/1
D383,002	S	9/1997	Rigney	D4/116

D386,861	S *	11/1997	Sutton	D32/53
D441,159	S	4/2001	Cann	D32/74
6,233,781	B1	5/2001	Savage	15/257.4
6,698,058	B2	3/2004	Cann	15/257.1
6,974,167	B2	12/2005	Springs, II	294/1.1
7,131,552	B2	11/2006	Simonson	220/495.06
D537,597	S	2/2007	Bolden	D34/1
D544,310	S *	6/2007	Smigiel	D7/603
D544,380	S	6/2007	Smigiel	D7/603
7,509,705	B1	3/2009	Morad et al.	15/257.1
7,698,776	B1 *	4/2010	Lawson	15/257.7
D636,139	S *	4/2011	Jones et al.	D32/74
8,291,543	B2 *	10/2012	McCoy et al.	15/257.1
8,490,240	B1	7/2013	Mackesy et al.	15/257.1

\* cited by examiner

*Primary Examiner* — Robin V Webster

(74) *Attorney, Agent, or Firm* — David A. Burge

(57) **CLAIM**

I claim the ornamental design for a combination bucket and dustpan, as shown and described.

**DESCRIPTION**

FIG. 1 is a perspective view showing front, top and left side features of my new design;

FIG. 2 is a rear view thereof;

FIG. 3 is a front view thereof;

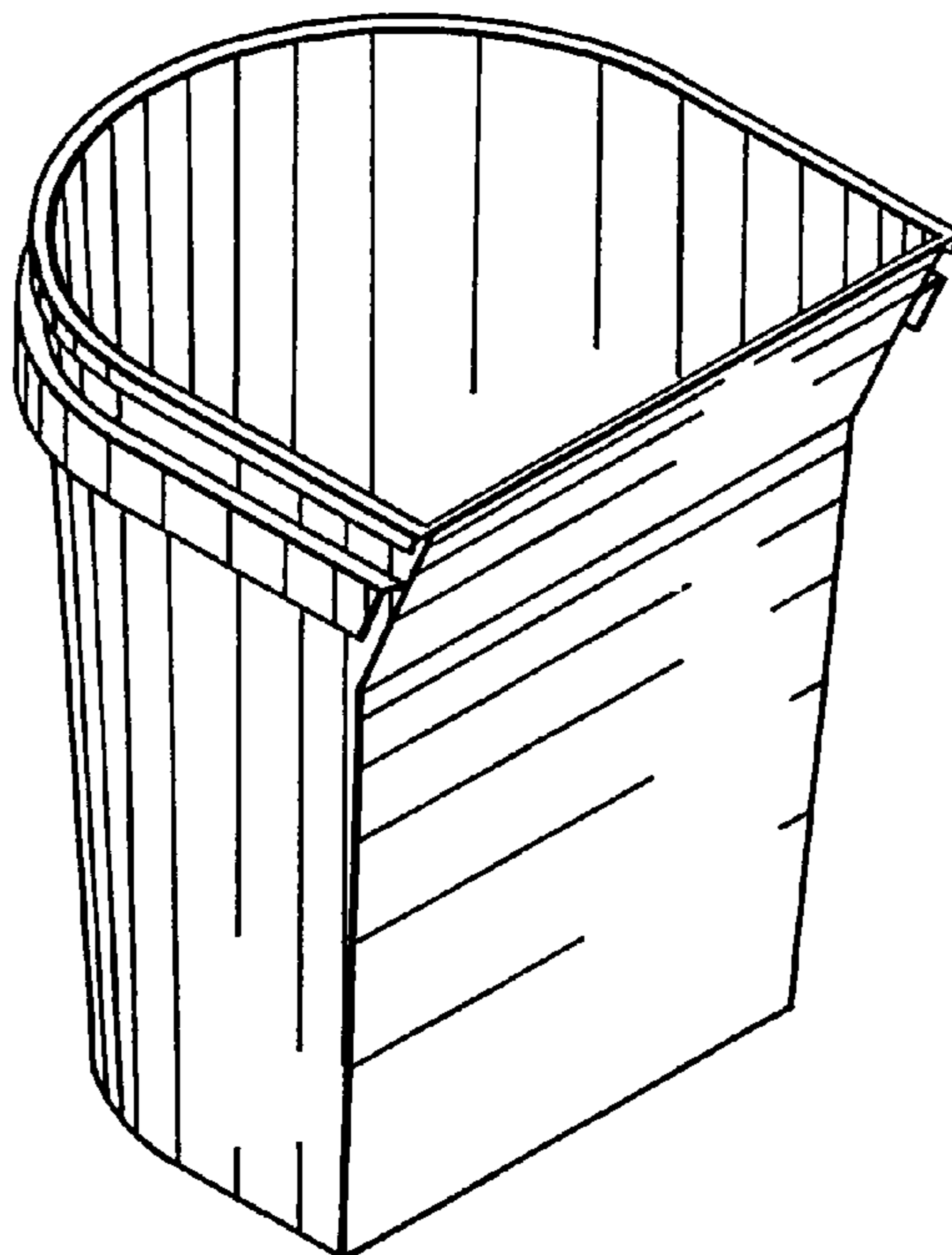
FIG. 4 is a top view thereof;

FIG. 5 is a bottom view thereof; and,

FIG. 6 is a left side view thereof, it being understood that a right side view is identical hereto but a mirror image reversal thereof.

To the extent that broken lines are present in the drawings, they represent unclaimed subject matter that forms no part of the present invention.

**1 Claim, 2 Drawing Sheets**



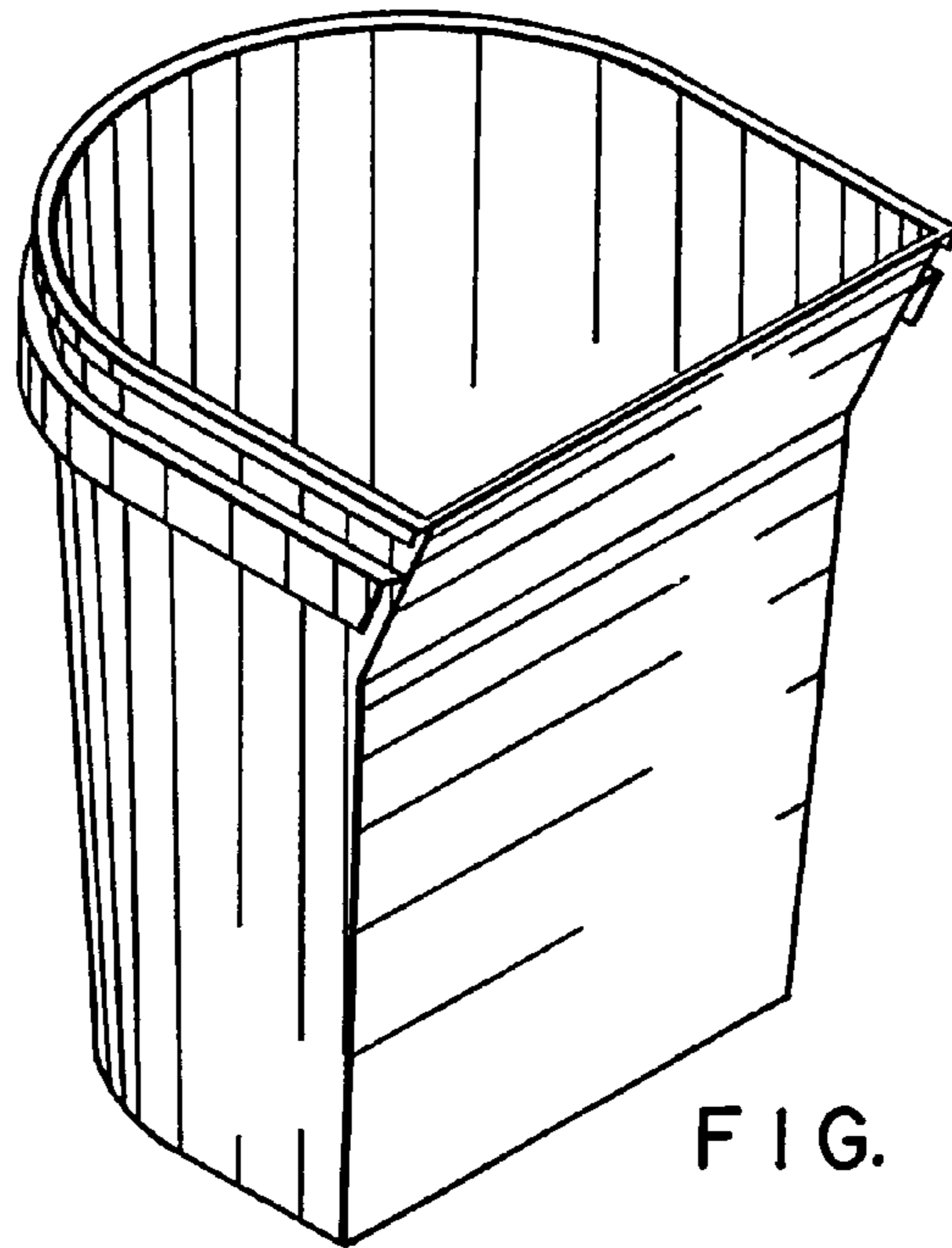


FIG. 1

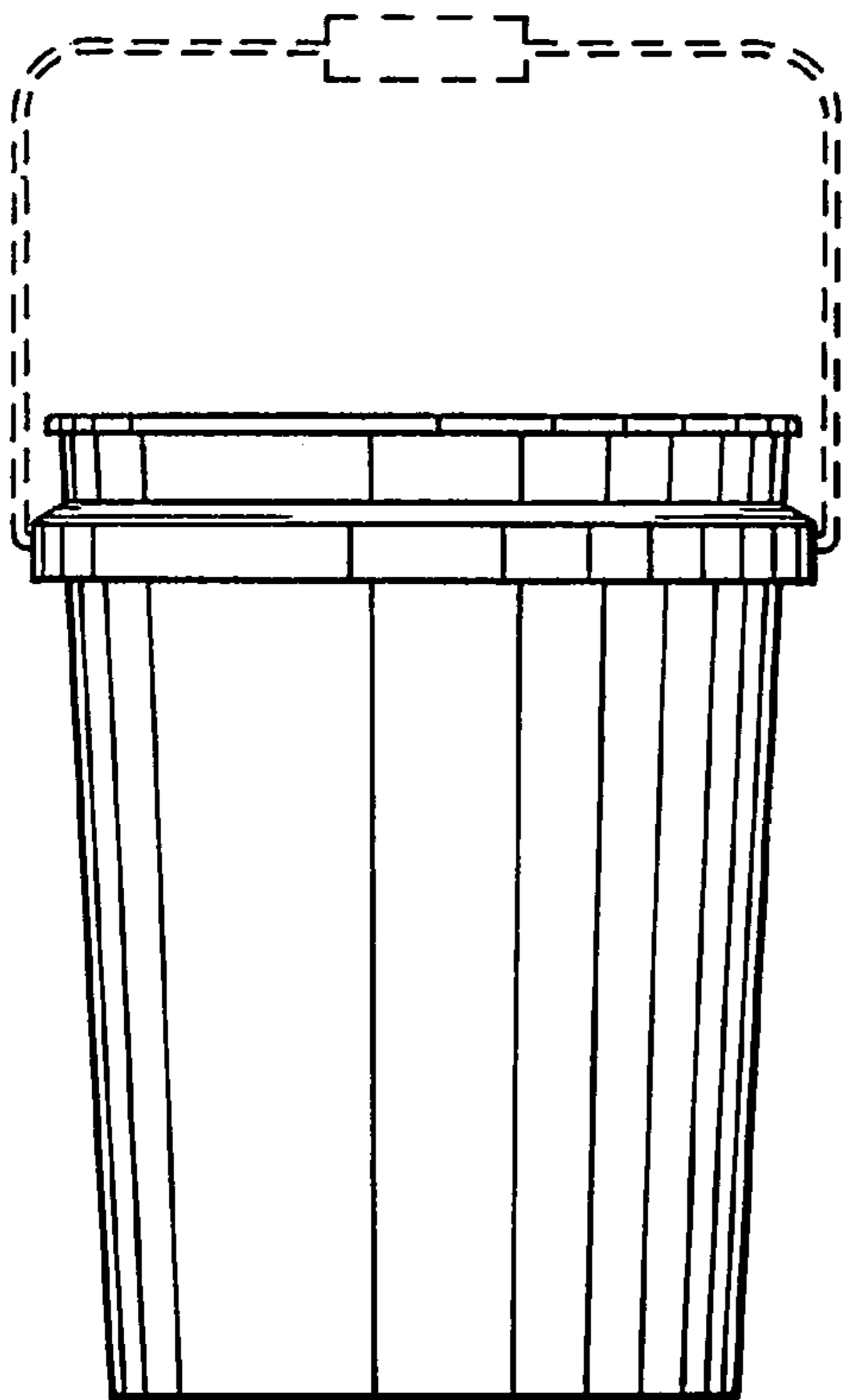


FIG. 2

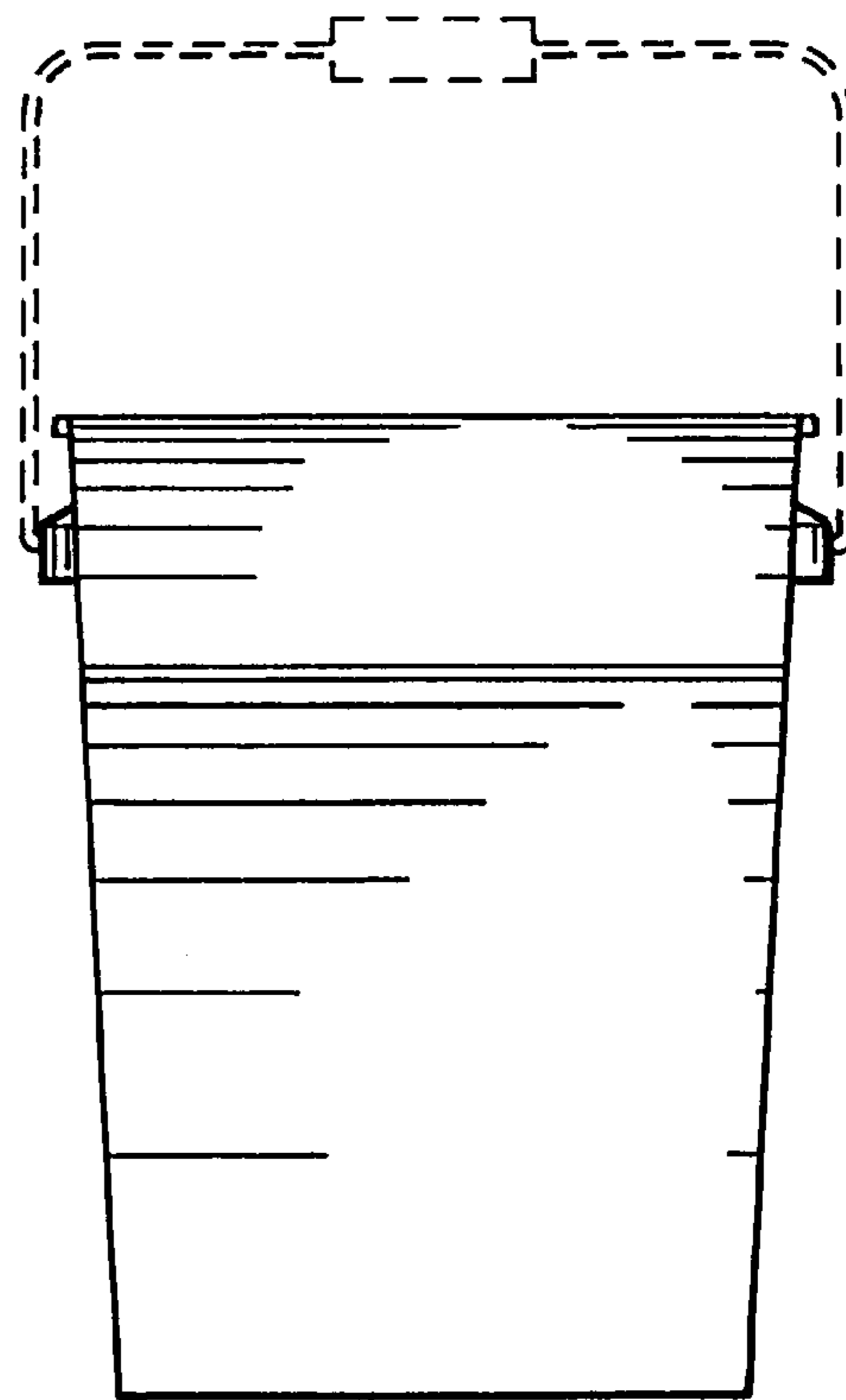


FIG. 3

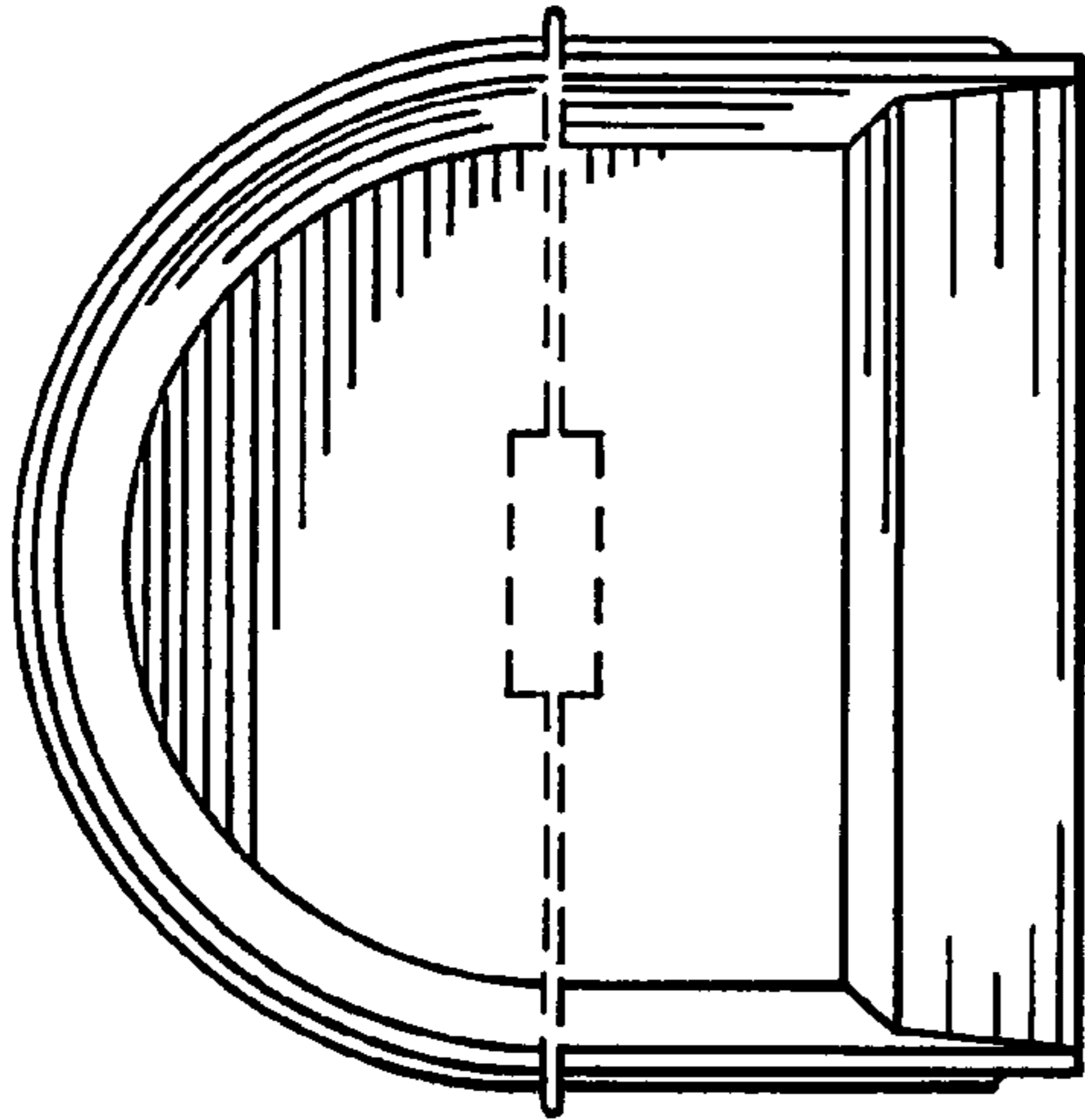


FIG. 4

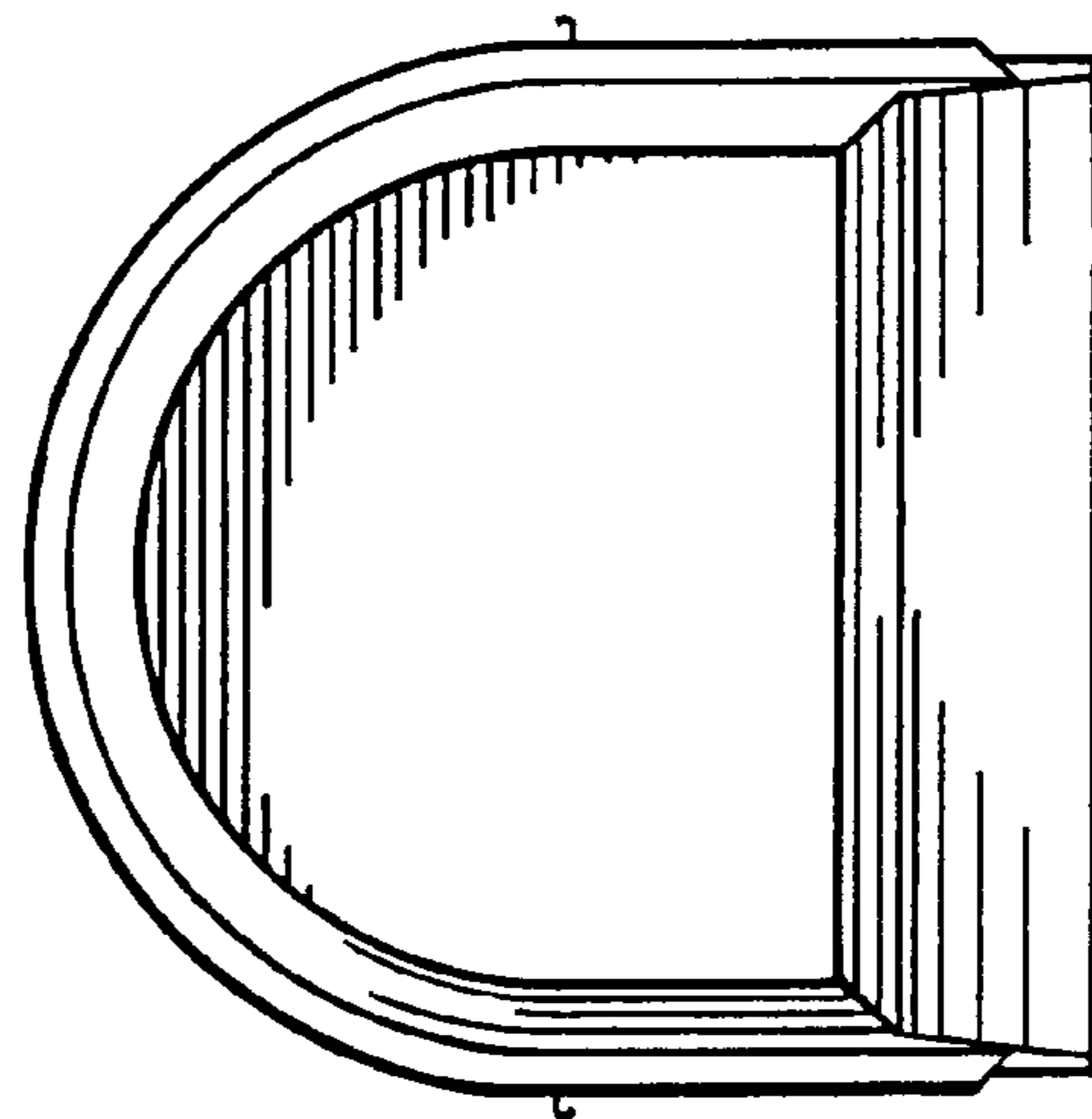


FIG. 5

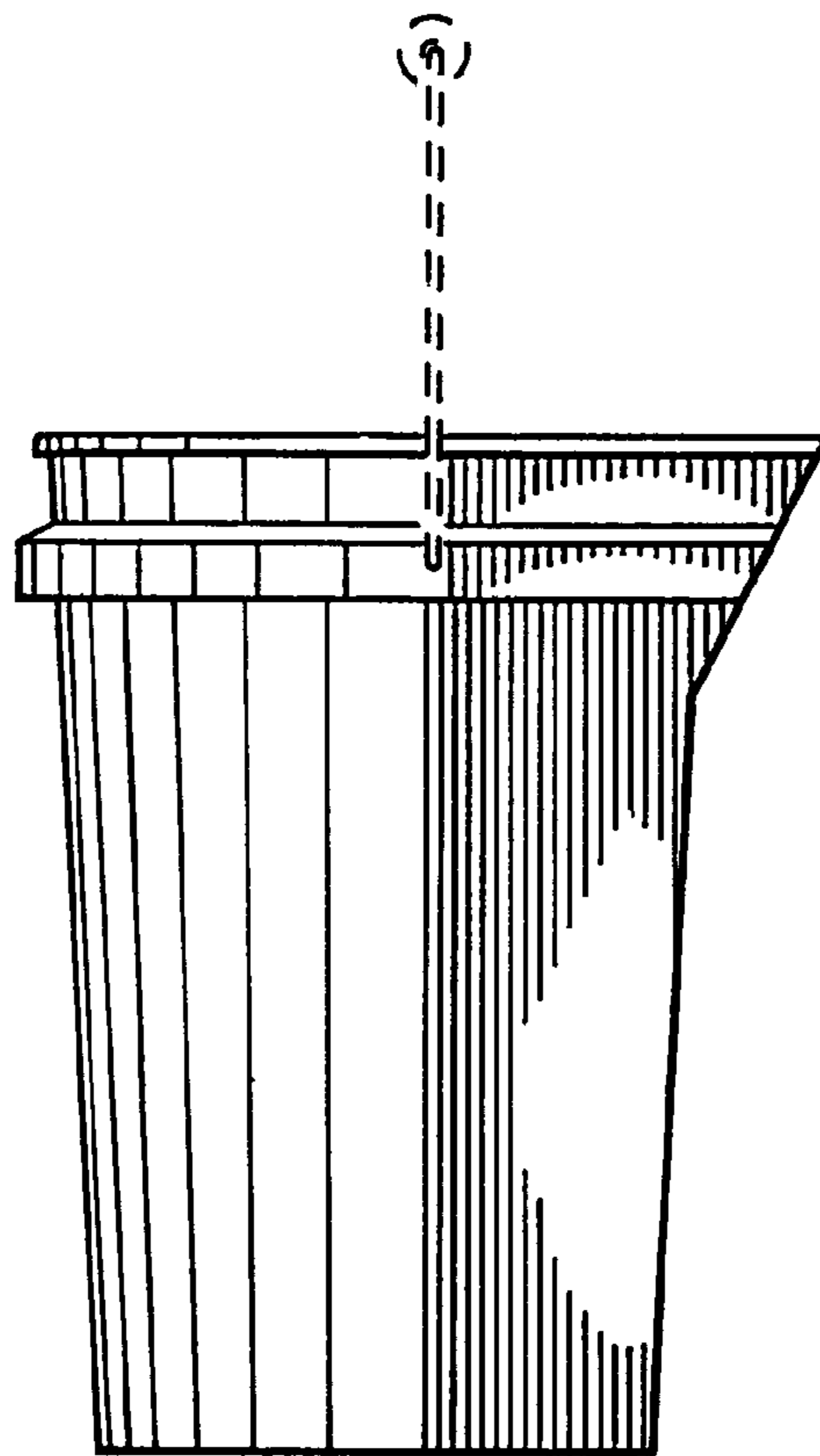


FIG. 6