



US00D740507S

(12) **United States Design Patent**
Chu et al.

(10) **Patent No.:** **US D740,507 S**

(45) **Date of Patent:** **** Oct. 6, 2015**

(54) **FLOOR CLEANER ACCESSORY TOOL**

(71) Applicant: **BISSELL Homecare, Inc.**, Grand Rapids, MI (US)

(72) Inventors: **Lawrence Chun-Hei Chu**, Shenzhen (CN); **Gabriel Yik Kan Tam**, Hong Kong (CN); **Jing Yang**, Zhongshan (CN)

(73) Assignee: **BISSELL Homecare, Inc.**, Grand Rapids, MI (US)

(**) Term: **14 Years**

(21) Appl. No.: **29/484,256**

(22) Filed: **Mar. 7, 2014**

(51) **LOC (10) Cl.** **15-05**

(52) **U.S. Cl.**
USPC **D32/32**

(58) **Field of Classification Search**
USPC D32/17-18, 31-34, 25, 40, 50;
D23/223

CPC E04H 4/1654; A47L 9/02; A47L 9/06;
A47L 9/0606; A47L 9/062; A47L 9/0633;
A47L 9/0693; A47L 11/4086; A47L 11/30;
A47L 7/009; A47L 7/0009; A47L 5/28;
A47L 5/36; A47L 13/225; A47L 13/20;
A47L 13/12; A47L 13/16; A47L 11/4044;
C11D 17/049; C23G 5/04; D06C 7/00;
D06F 75/30; D06F 87/00; B08B 3/02

See application file for complete search history.

(56) **References Cited**

U.S. PATENT DOCUMENTS

D333,539	S	*	2/1993	Kramer et al.	D32/32
D443,120	S	*	5/2001	Choi	D32/32
D457,696	S	*	5/2002	Worwag	D32/32
D487,827	S	*	3/2004	Iike et al.	D32/32
D487,828	S	*	3/2004	Iike et al.	D32/32
D507,854	S	*	7/2005	Kim	D32/32
D543,669	S	*	5/2007	Ikeno et al.	D32/32
D556,963	S	*	12/2007	Houghton	D32/32
D698,510	S	*	1/2014	Chu et al.	D32/32
D706,504	S	*	6/2014	Park et al.	D32/32
2012/0151713	A1	*	6/2012	Krebs	15/415.1

* cited by examiner

Primary Examiner — Ruth McInroy

(74) *Attorney, Agent, or Firm* — McGarry Bair PC

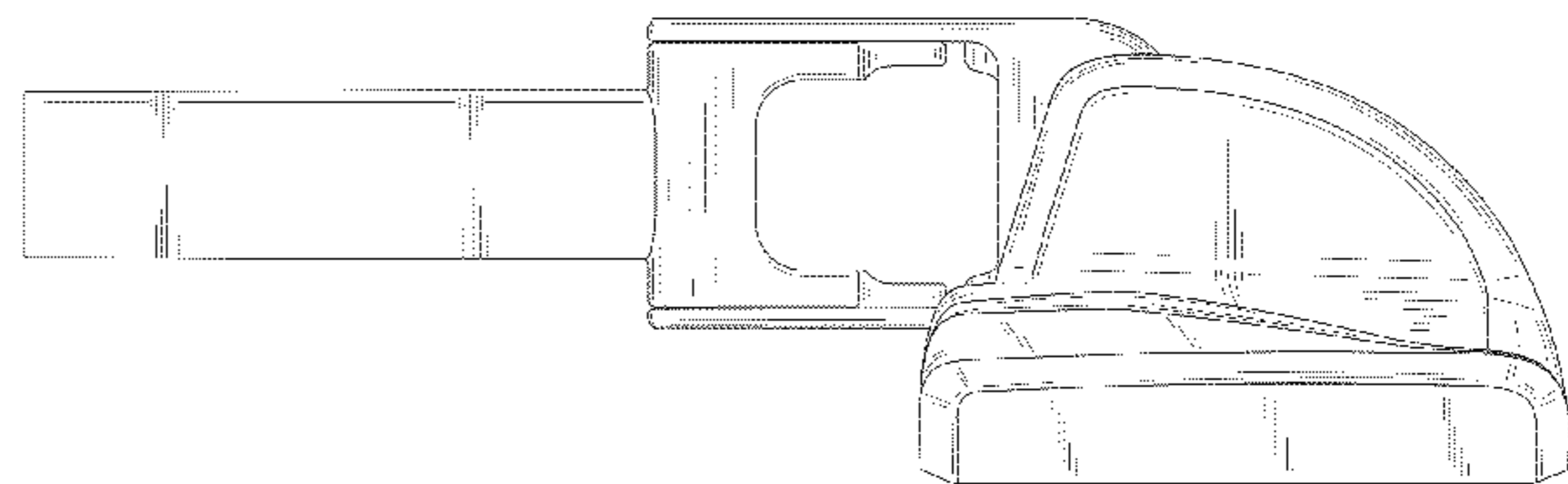
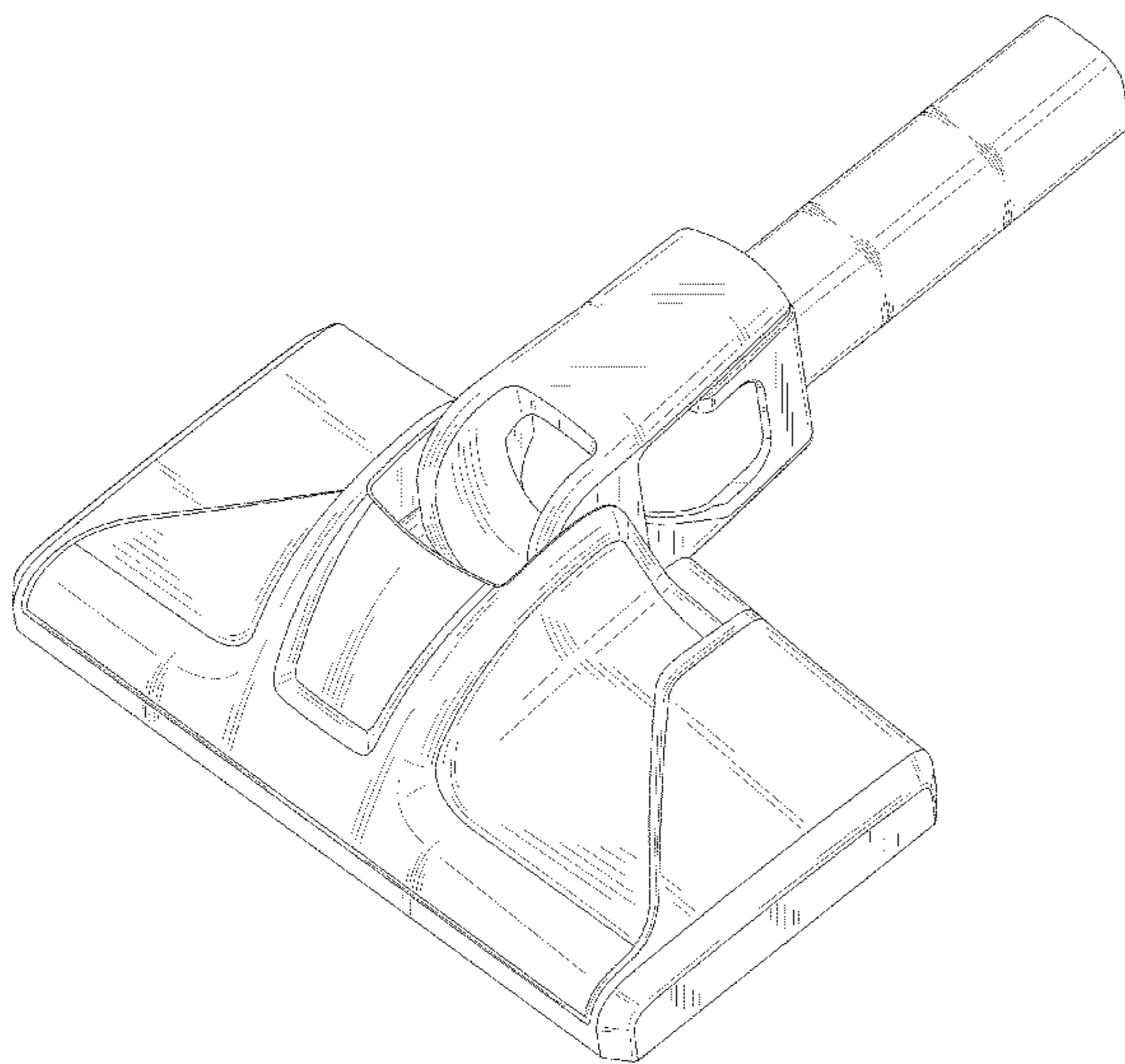
(57) **CLAIM**

The ornamental design for a floor cleaner accessory tool, as shown and described.

DESCRIPTION

FIG. 1 is a front perspective view a floor cleaner accessory tool showing our new design;
FIG. 2 is a front view thereof;
FIG. 3 is a rear view thereof;
FIG. 4 is a left side view thereof, the right side being a mirror image; and,
FIG. 5 is a top view thereof.

1 Claim, 4 Drawing Sheets



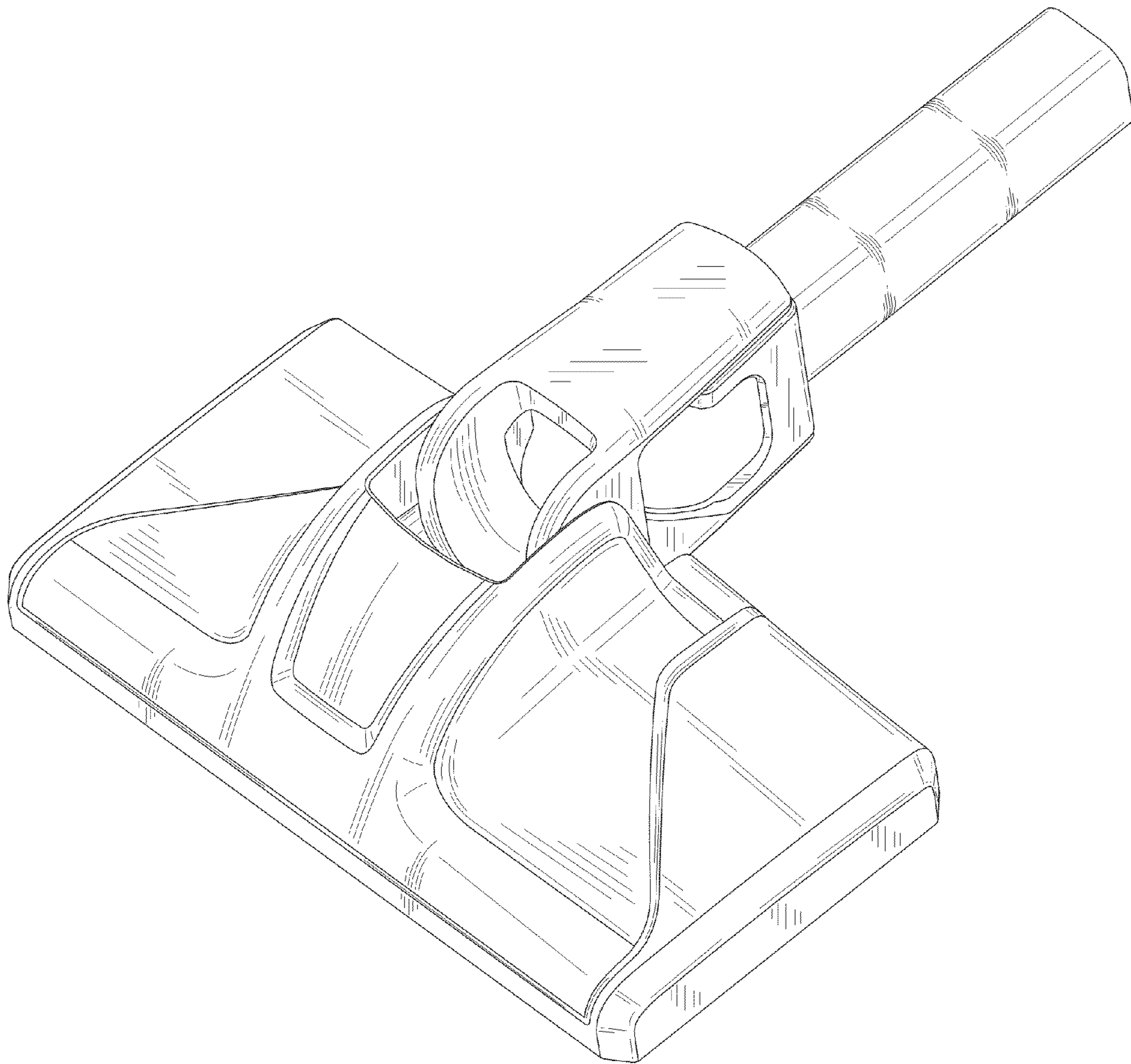


FIG. 1

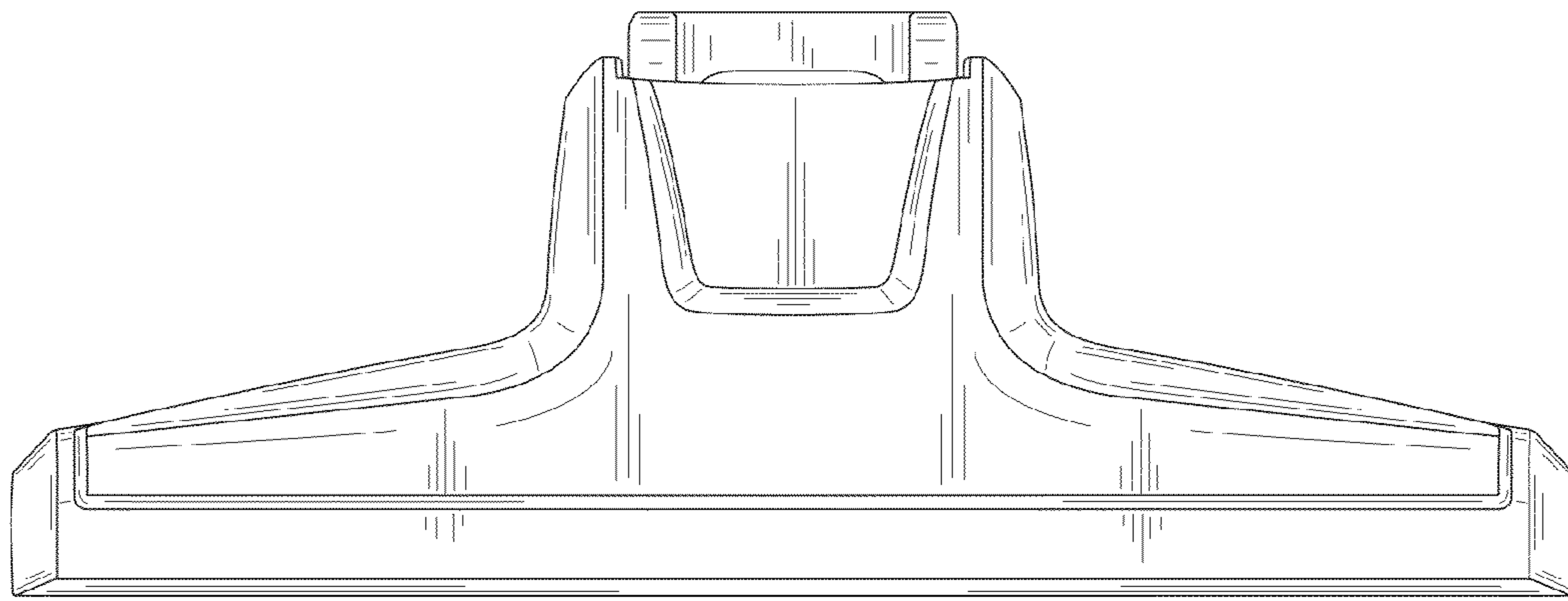


FIG. 2

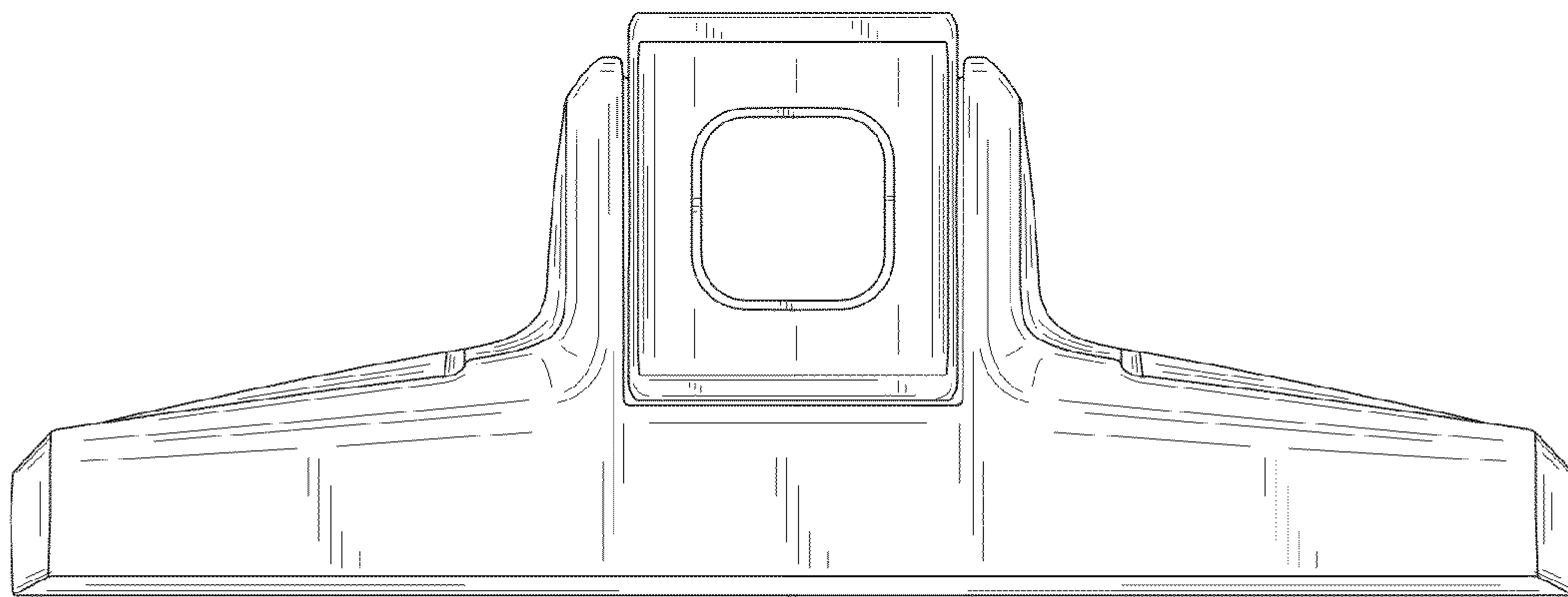


FIG. 3

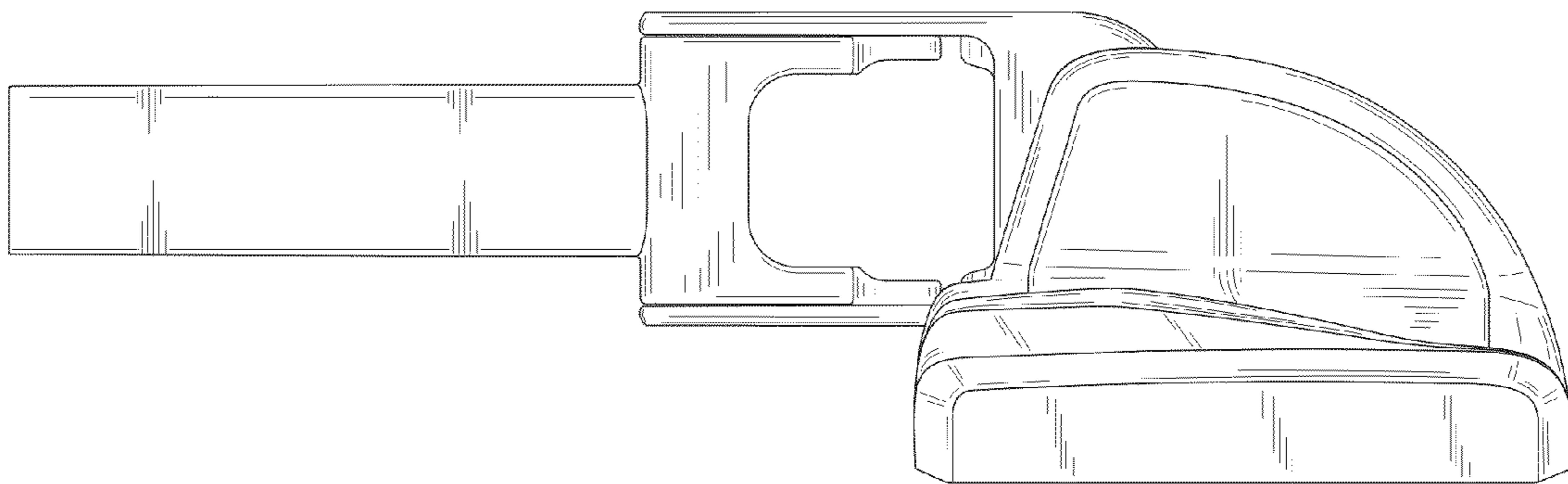


FIG. 4

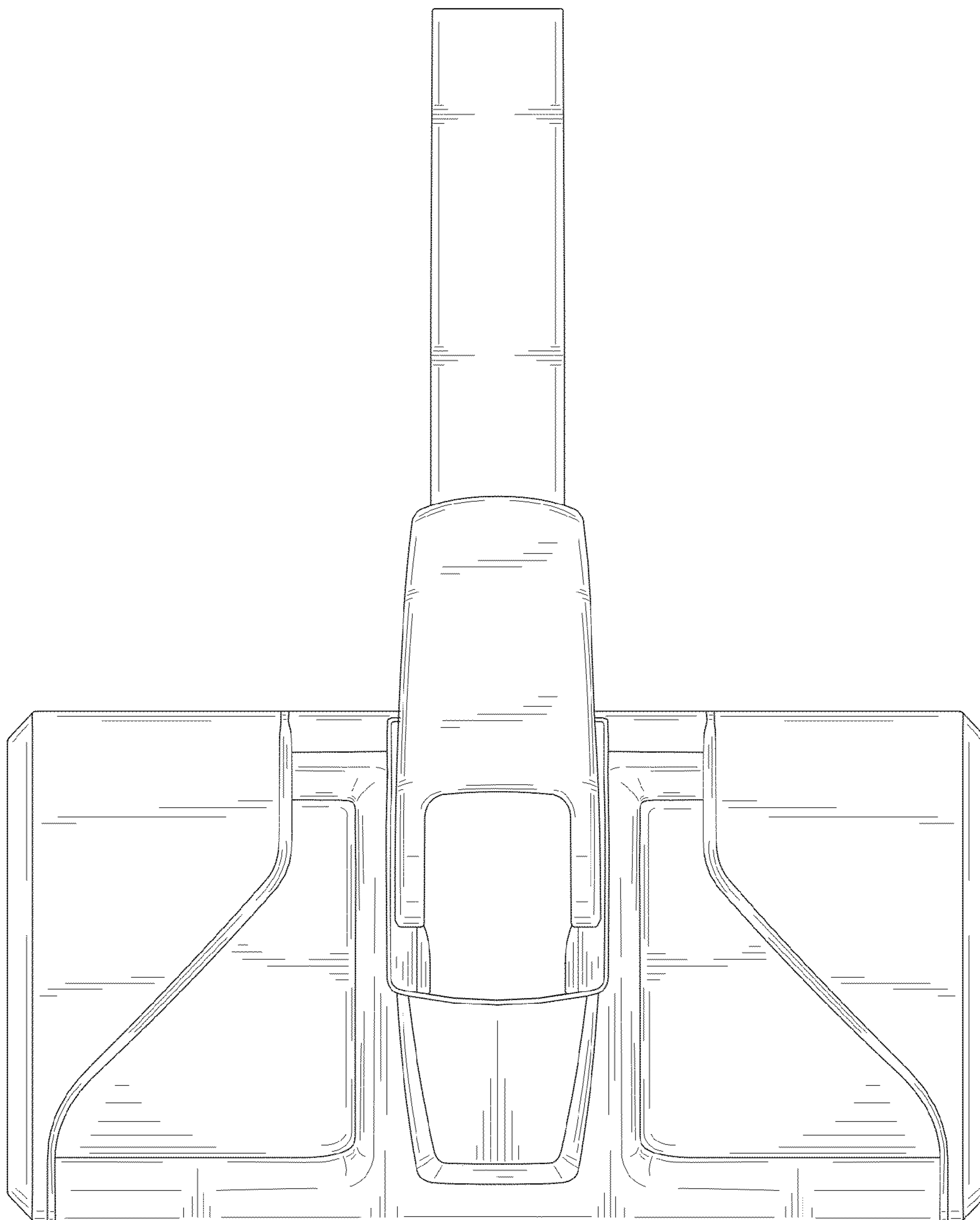


FIG. 5