



US00D740506S

(12) **United States Design Patent**  
**Yoon**

(10) **Patent No.:** **US D740,506 S**  
(45) **Date of Patent:** **\*\* Oct. 6, 2015**

(54) **CLEANER**

(71) Applicant: **Samsung Electronics Co., Ltd.**,  
Suwon-Si, Gyeonggi-Do (KR)

(72) Inventor: **Ki Hyun Yoon**, Busan (KR)

(73) Assignee: **SAMSUNG ELECTRONICS CO., LTD.**, Gyeonggi-do (KR)

(\*\*) Term: **14 Years**

(21) Appl. No.: **29/499,839**

(22) Filed: **Aug. 19, 2014**

(30) **Foreign Application Priority Data**

Feb. 20, 2014 (KR) ..... 30-2014-0008686

(51) **LOC (10) Cl.** ..... **15-05**

(52) **U.S. Cl.**  
USPC ..... **D32/31**

(58) **Field of Classification Search**  
USPC ..... D32/31, 21, 22, 24, 34; 15/350-353,  
15/361-362, 347, 410-411, 414, 320-322,  
15/329, 335, 246.2, 1.7, 340.2, DIG. 10  
CPC ..... A47L 5/24; A47L 11/34; A47L 5/362;  
A47L 19/1666; A47L 9/325; B01D 45/12;  
B01D 50/002  
See application file for complete search history.

(56) **References Cited**

**U.S. PATENT DOCUMENTS**

D47,257 S \* 4/1915 Doty ..... D32/22  
4,447,930 A \* 5/1984 Glenn et al. .... 15/322  
5,075,921 A \* 12/1991 Gleadall ..... 15/322  
5,722,110 A \* 3/1998 McIntyre et al. .... 15/329

5,996,175 A \* 12/1999 Fusco ..... 15/410  
6,263,539 B1 \* 7/2001 Baig ..... 15/322  
D653,825 S \* 2/2012 Cho et al. .... D32/22  
D682,496 S \* 5/2013 Bassett et al. .... D32/22  
8,800,102 B1 \* 8/2014 Massey ..... 15/320  
2006/0156510 A1 \* 7/2006 Park et al. .... 15/414  
2009/0019663 A1 \* 1/2009 Rowntree ..... 15/347

\* cited by examiner

*Primary Examiner* — Ruth McInroy

(74) *Attorney, Agent, or Firm* — Harness, Dickey & Pierce, P.L.C.

(57) **CLAIM**

The ornamental design for a cleaner, as shown and described.

**DESCRIPTION**

FIG. 1 is the front perspective view of cleaner showing my new design;  
FIG. 2 is the front view thereof;  
FIG. 3 is the rear view thereof;  
FIG. 4 is the left-side view thereof;  
FIG. 5 is the right-side view thereof;  
FIG. 6 is the top-side plan view thereof;  
FIG. 7 is the bottom-side plan view thereof;  
FIG. 8 is another right-side view thereof, as shown in an alternate configuration;  
FIG. 9 is another right-side view thereof, as shown in an alternate configuration; and,  
FIG. 10 is a partially enlarged view of FIG. 1.  
The broken lines are for environmental purposes only and form no part of the claimed design. The dot-dash broken lines encircling portions of the claimed design that are illustrated in enlargements form no part of the claimed design.

**1 Claim, 10 Drawing Sheets**

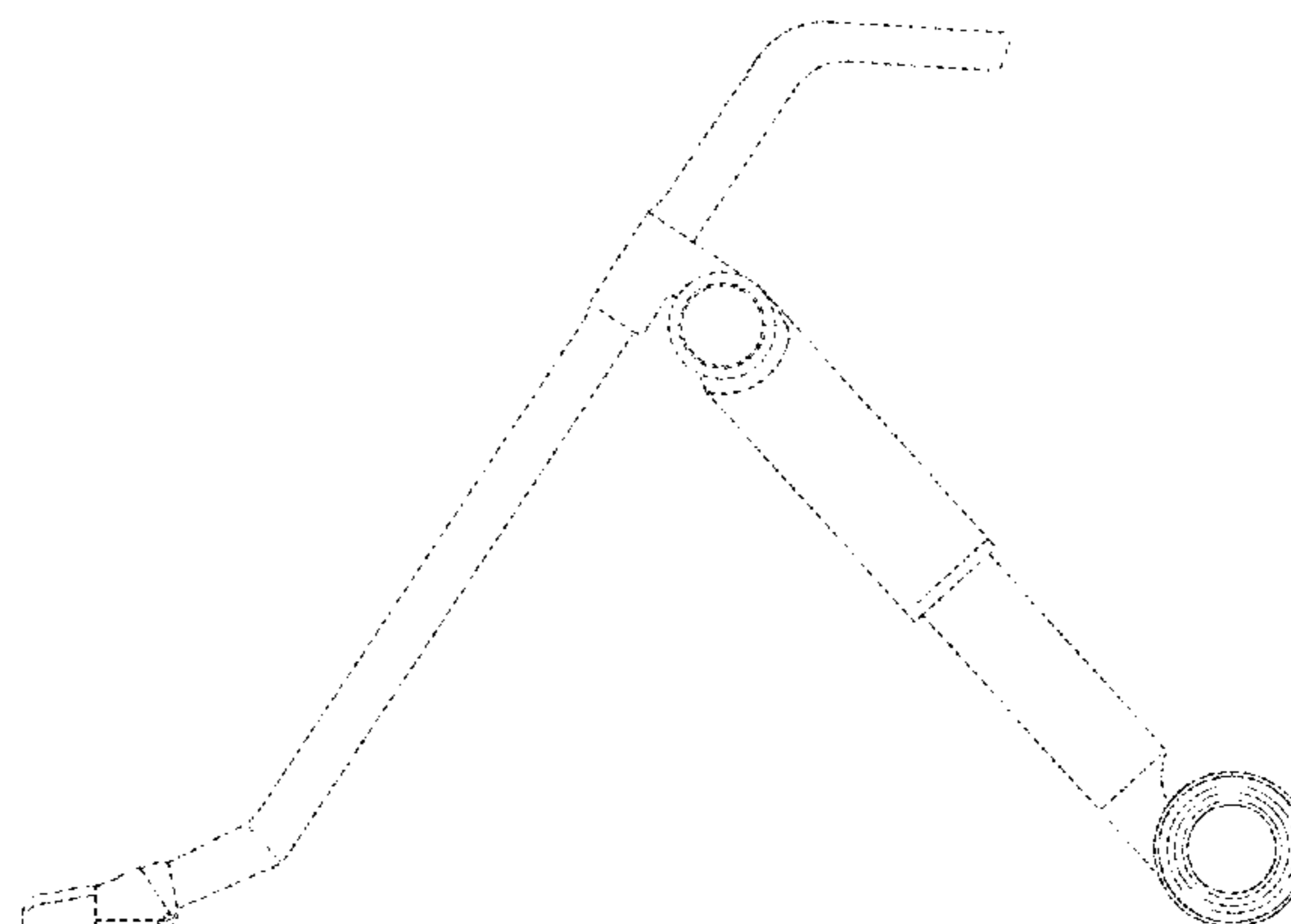
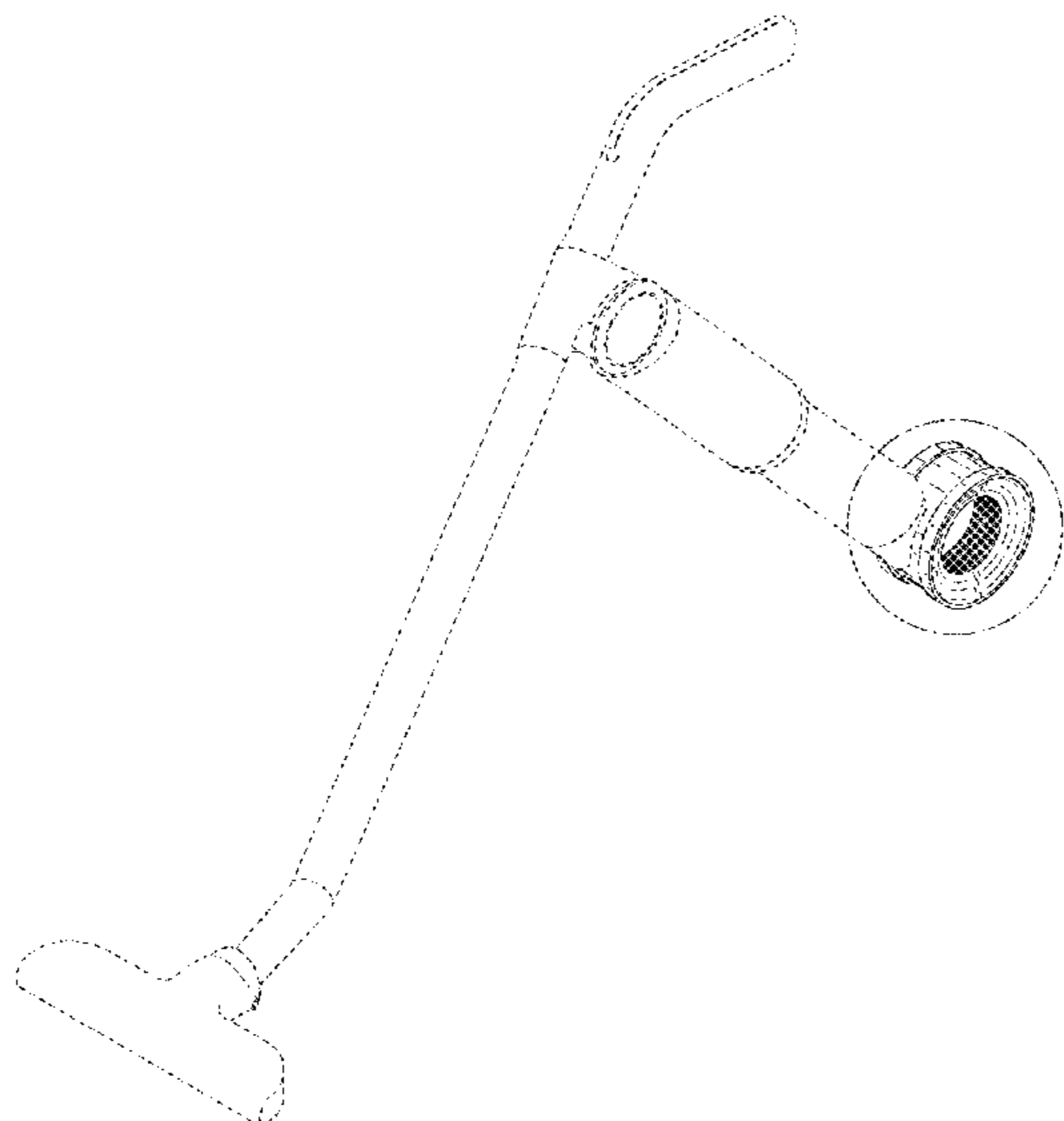


FIG. 1

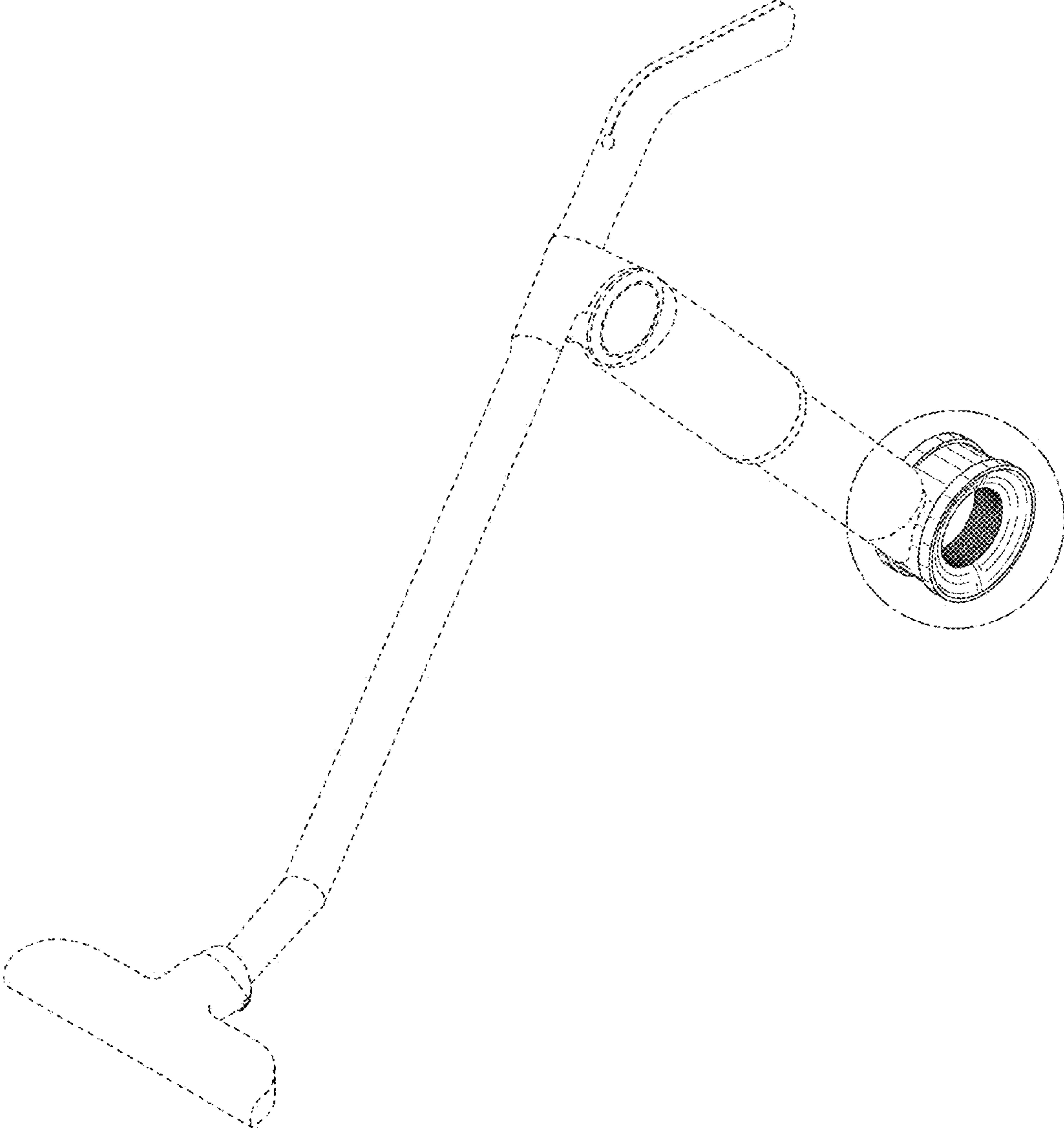


FIG.2

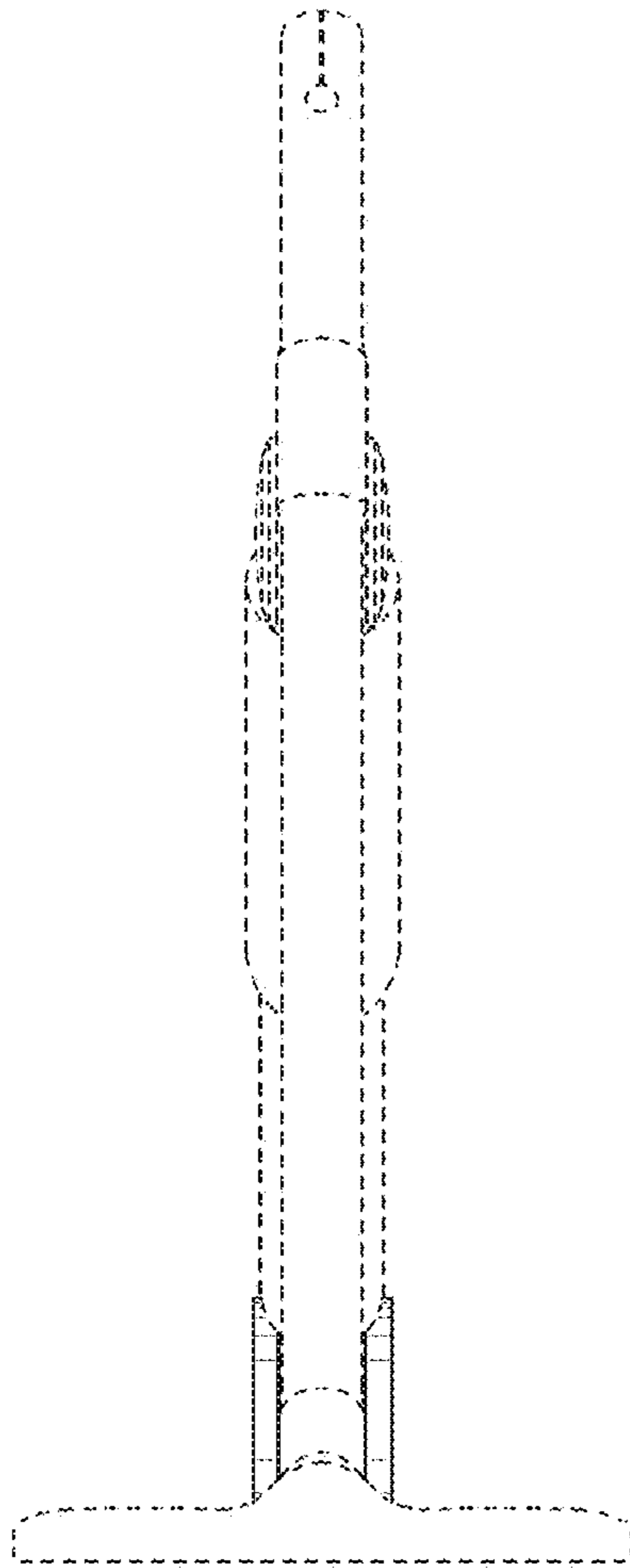


FIG.3

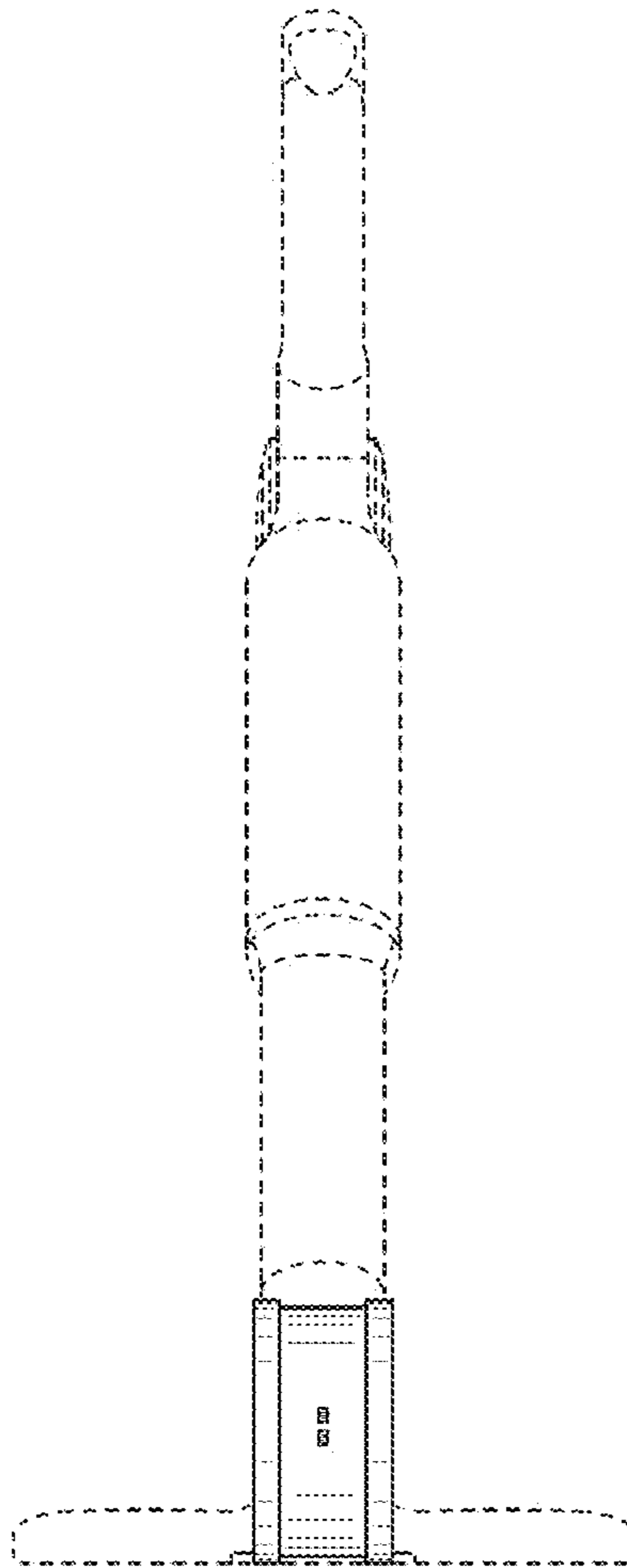


FIG. 4

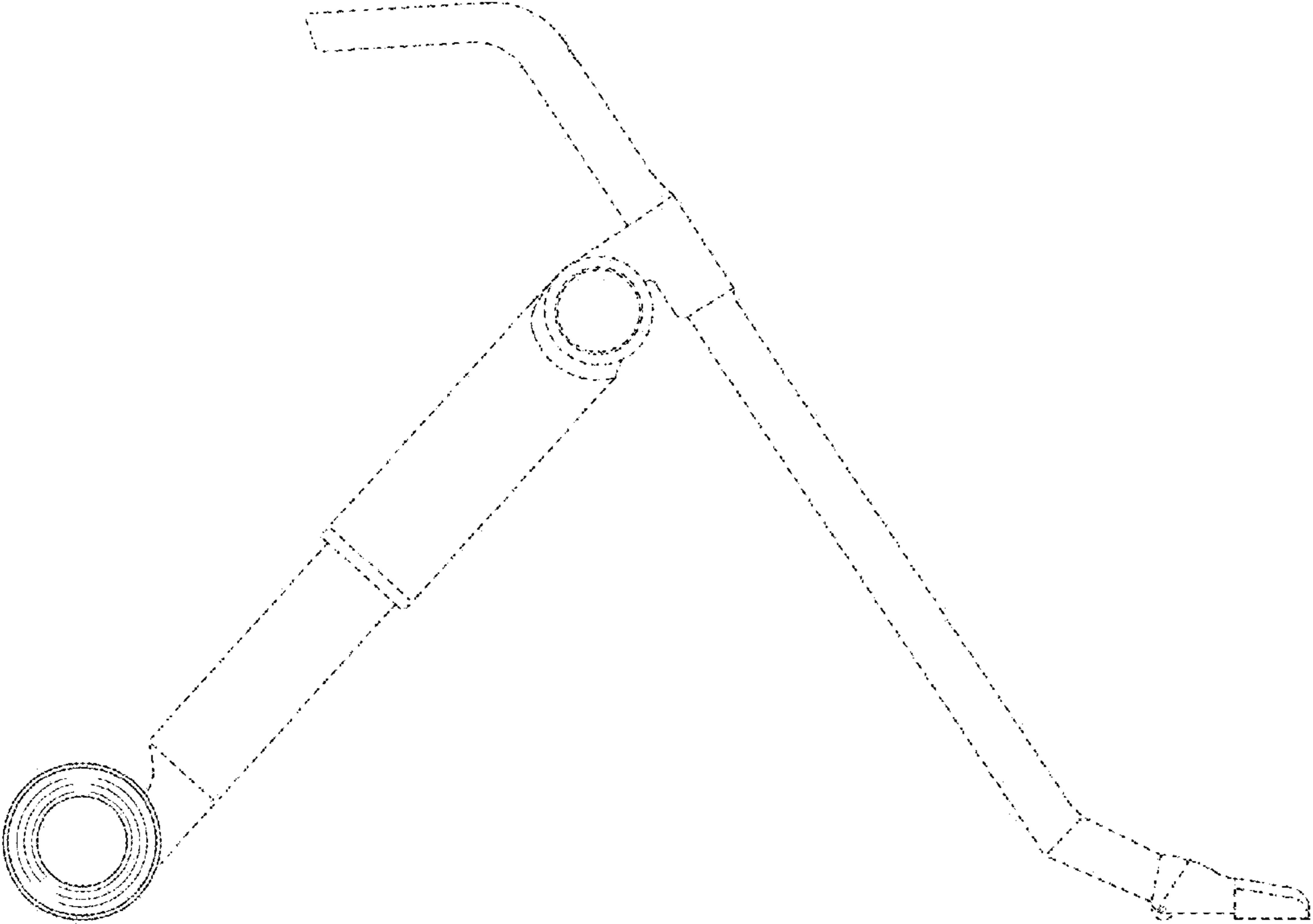


FIG.5

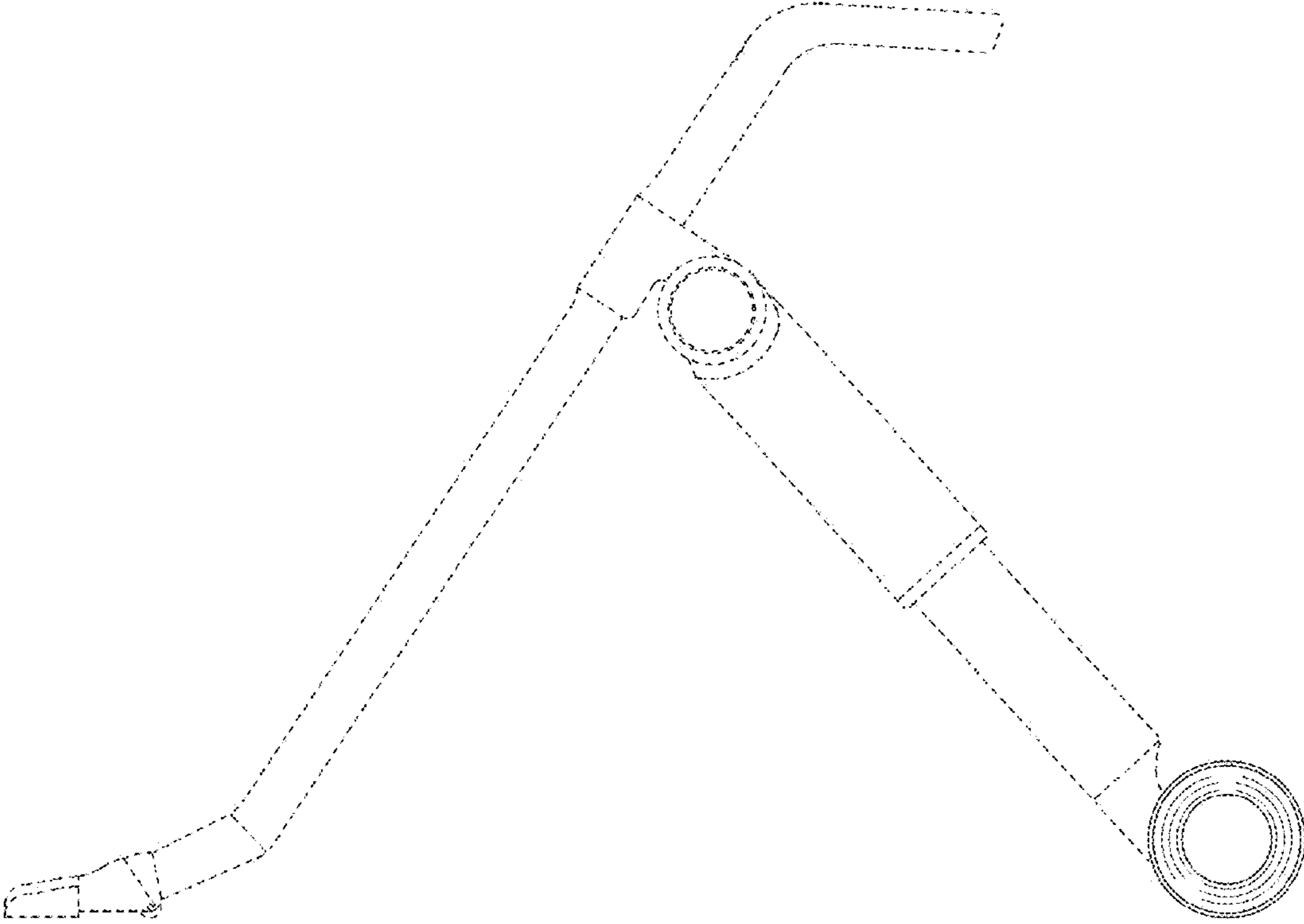


FIG. 6

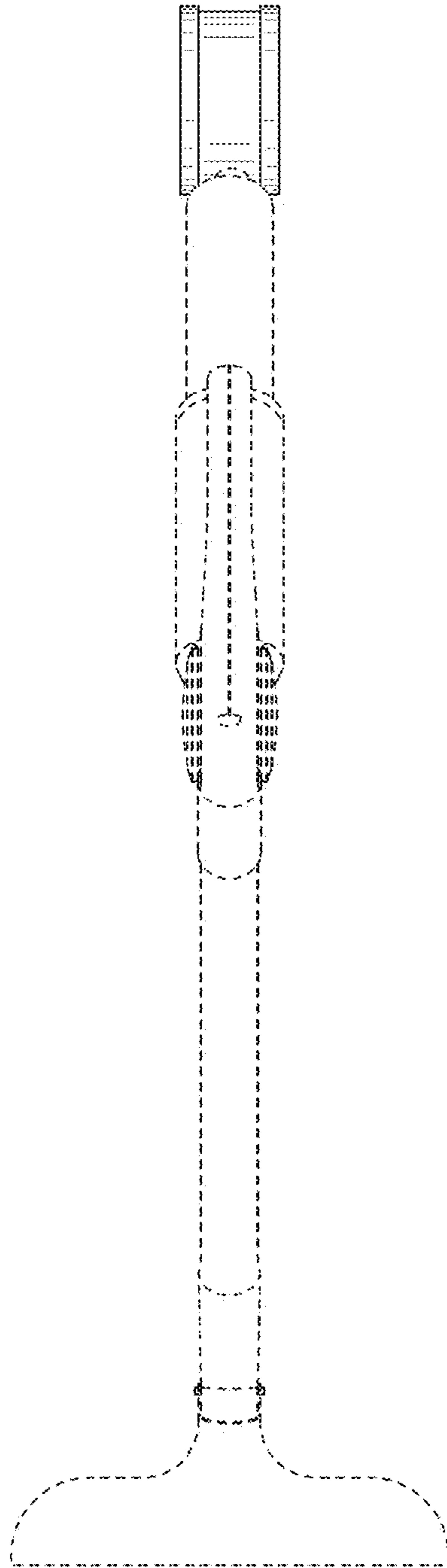


FIG. 7

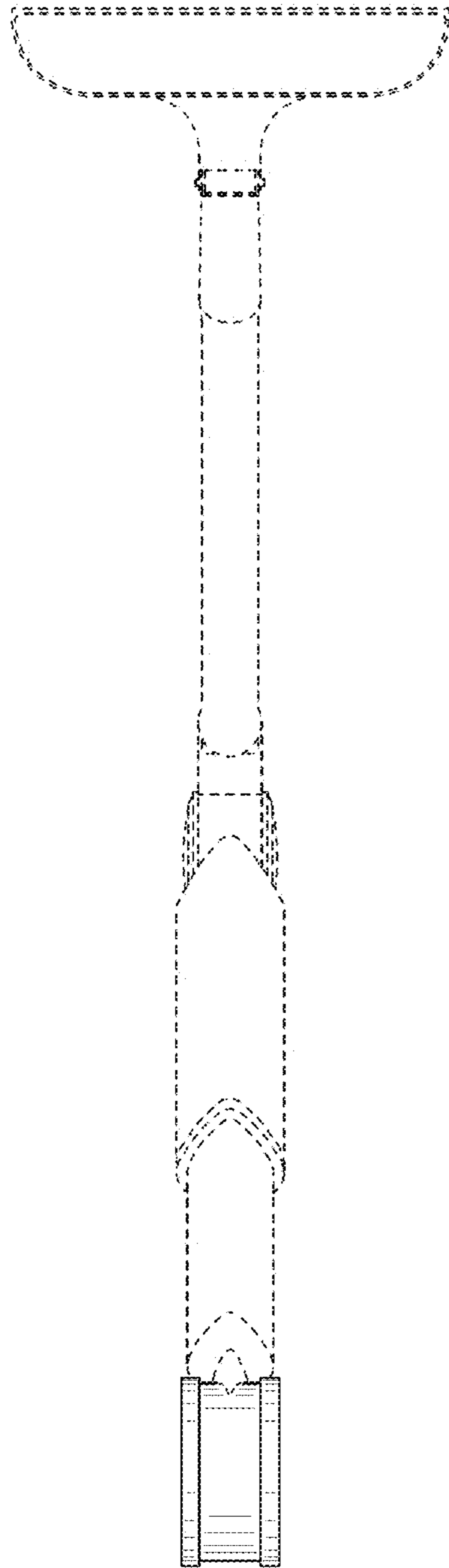




FIG. 8

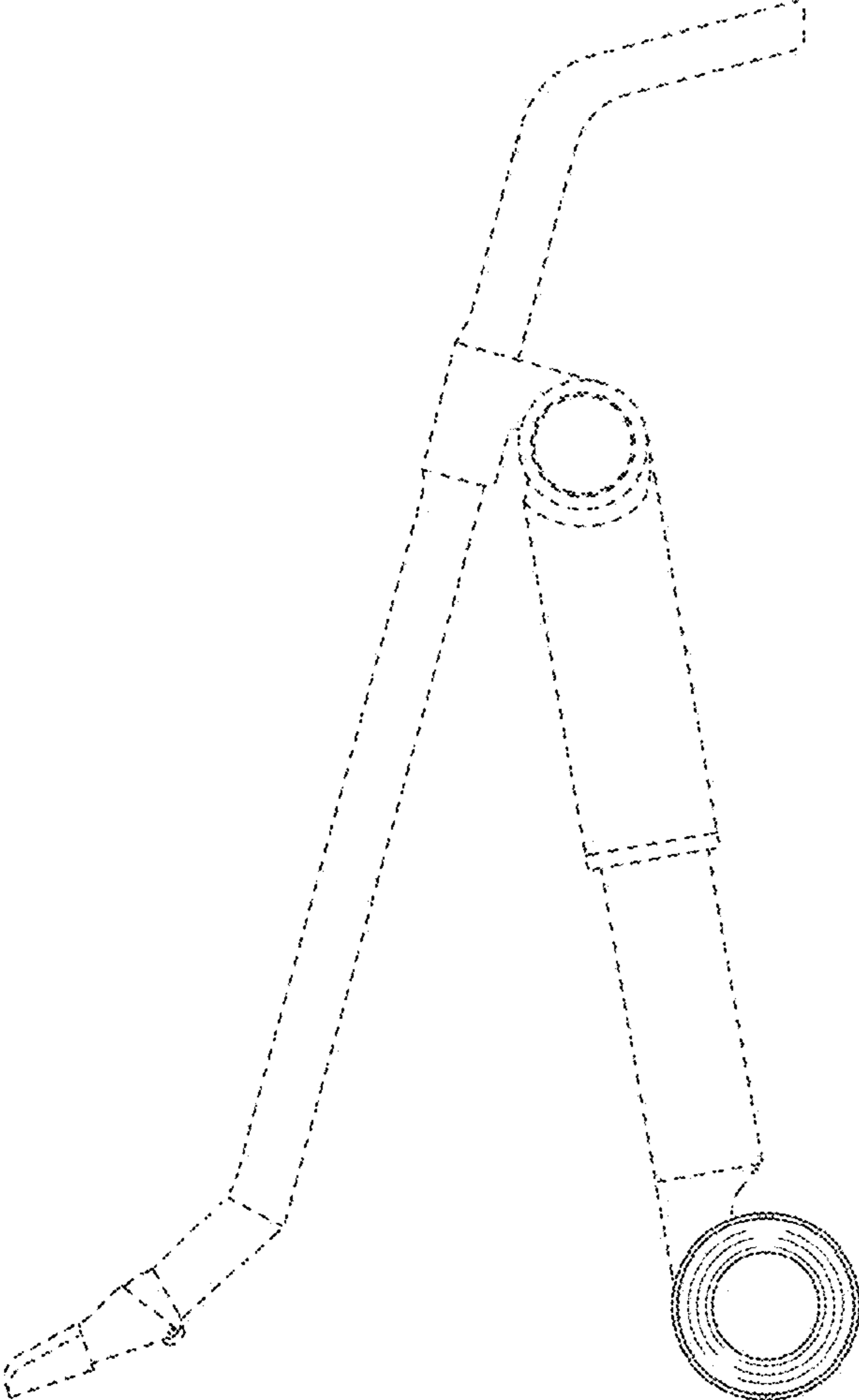


FIG.9

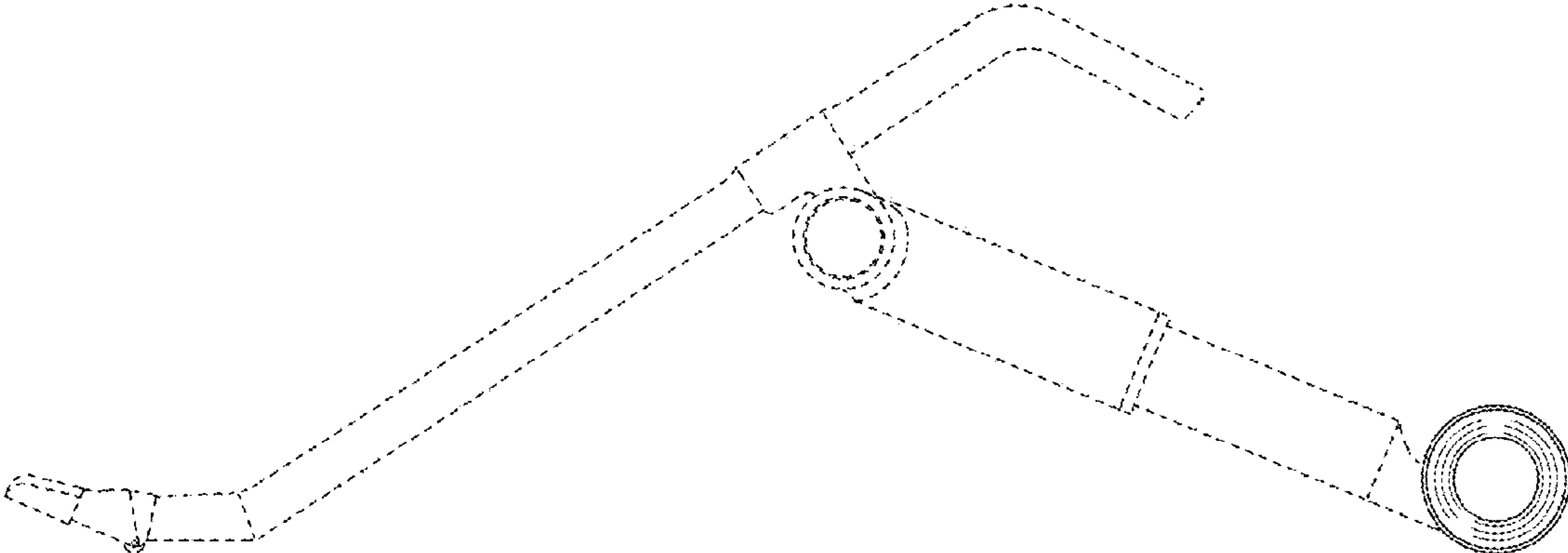


FIG.10

