



US00D740505S

(12) **United States Design Patent**
Gidwell

(10) **Patent No.:** **US D740,505 S**

(45) **Date of Patent:** **** Oct. 6, 2015**

(54) **VACUUM CLEANER**

(71) Applicant: **Euro-Pro Operating LLC**, Newton, MA (US)

(72) Inventor: **Christopher Gidwell**, Auburndale, MA (US)

(73) Assignee: **Euro-Pro Operating LLC**, Newton, MA (US)

(**) Term: **14 Years**

(21) Appl. No.: **29/485,713**

(22) Filed: **Mar. 21, 2014**

(51) **LOC (10) Cl.** **15-05**

(52) **U.S. Cl.**
USPC **D32/31**

(58) **Field of Classification Search**
USPC D32/31, 21, 22, 24, 34; 15/350-353, 15/361-362, 347, 410-411, 414, 320-322, 15/329, 335, 246.2, 1.7, 340.2, DIG. 10; 55/345

CPC A47L 5/24; A47L 11/34; A47L 5/362; A47L 19/1666; A47L 9/325; B01D 45/12; B01D 50/002

See application file for complete search history.

(56) **References Cited**

U.S. PATENT DOCUMENTS

D611,210 S * 3/2010 Conrad et al. D32/31
D662,271 S * 6/2012 Conrad et al. D32/31

D662,272 S * 6/2012 Conrad et al. D32/31
D680,288 S * 4/2013 Bilger et al. D32/31
D685,961 S * 7/2013 Bilger et al. D32/31
D686,377 S * 7/2013 Thorne D32/31
D693,975 S * 11/2013 Santiago et al. D32/31
D695,980 S * 12/2013 Thorne D32/22
2014/0259519 A1 * 9/2014 Conrad et al. 15/329

* cited by examiner

Primary Examiner — Ruth McInroy

(74) *Attorney, Agent, or Firm* — Yang IPCo., PLLC

(57) **CLAIM**

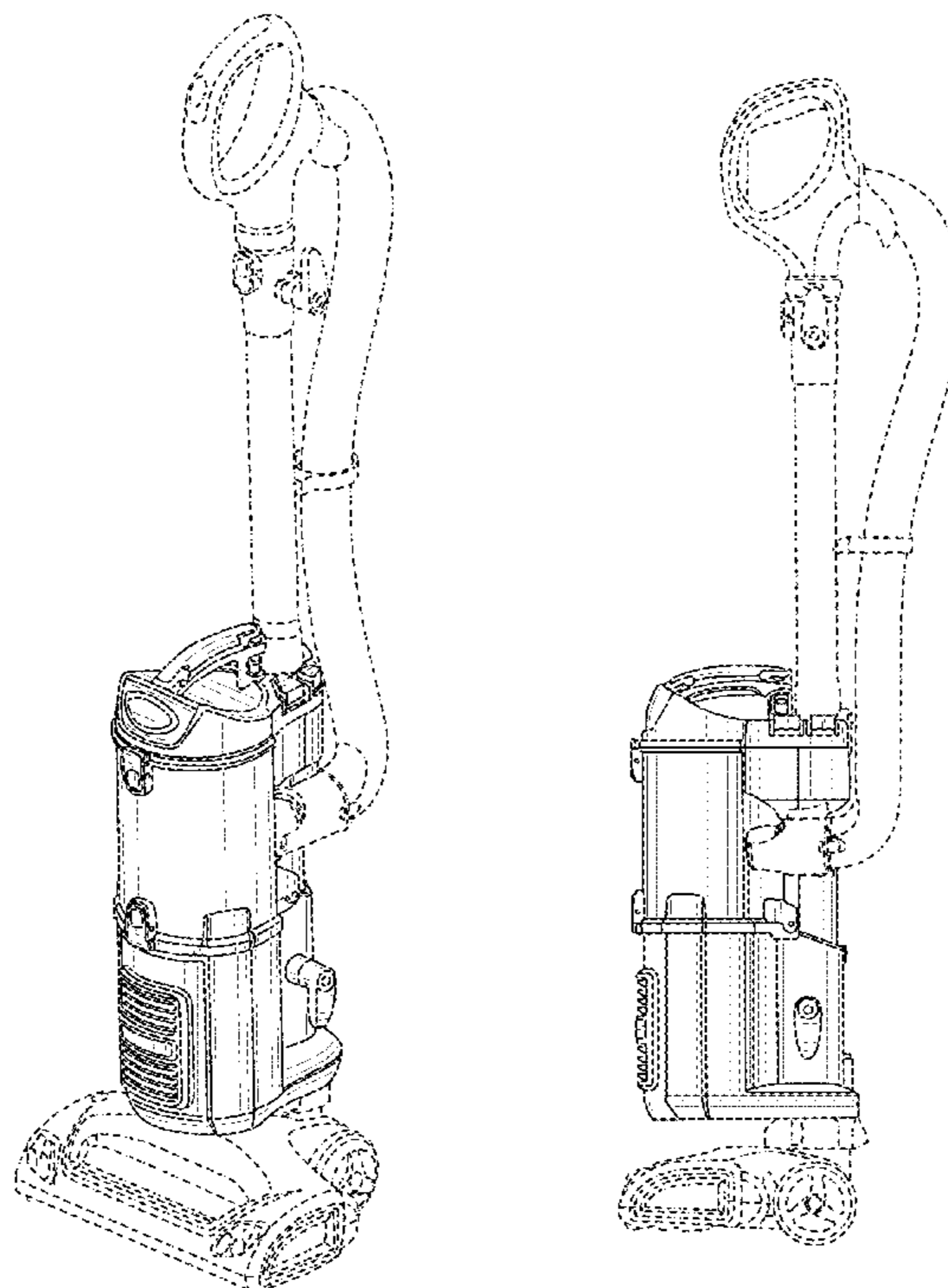
The ornamental design for a vacuum cleaner, as shown and described.

DESCRIPTION

FIG. 1 is a perspective view of the vacuum cleaner of this invention;
FIG. 2 is a front view of the vacuum cleaner of this invention;
FIG. 3 is a rear view of the vacuum cleaner of this invention;
FIG. 4 is a view of a left side of the vacuum cleaner of this invention;
FIG. 5 is a view of a right side of the vacuum cleaner of this invention;
FIG. 6 is a top view of the vacuum cleaner of this invention;
and,
FIG. 7 is a bottom view of the vacuum cleaner of this invention.

The details shown in broken lines form no part of the claimed design.

1 Claim, 4 Drawing Sheets



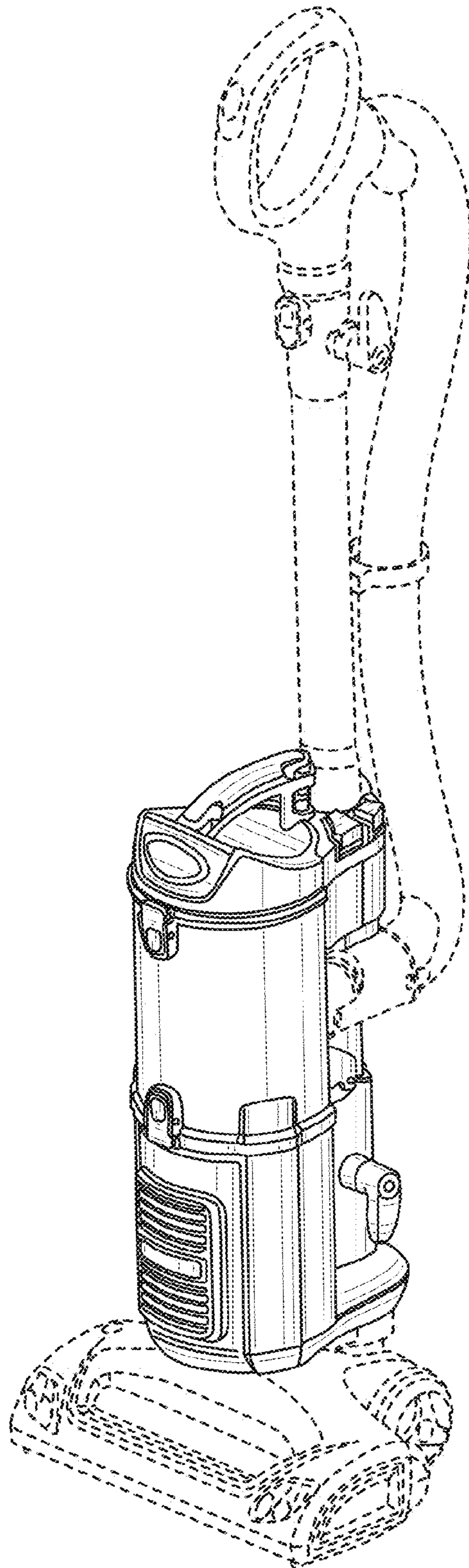


FIG. 1

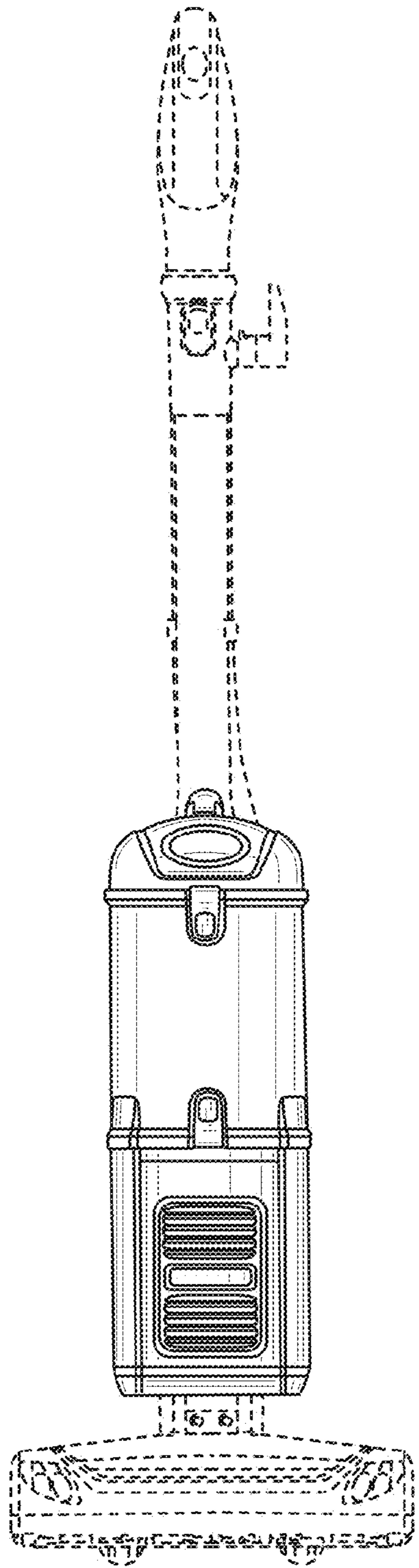


FIG. 2

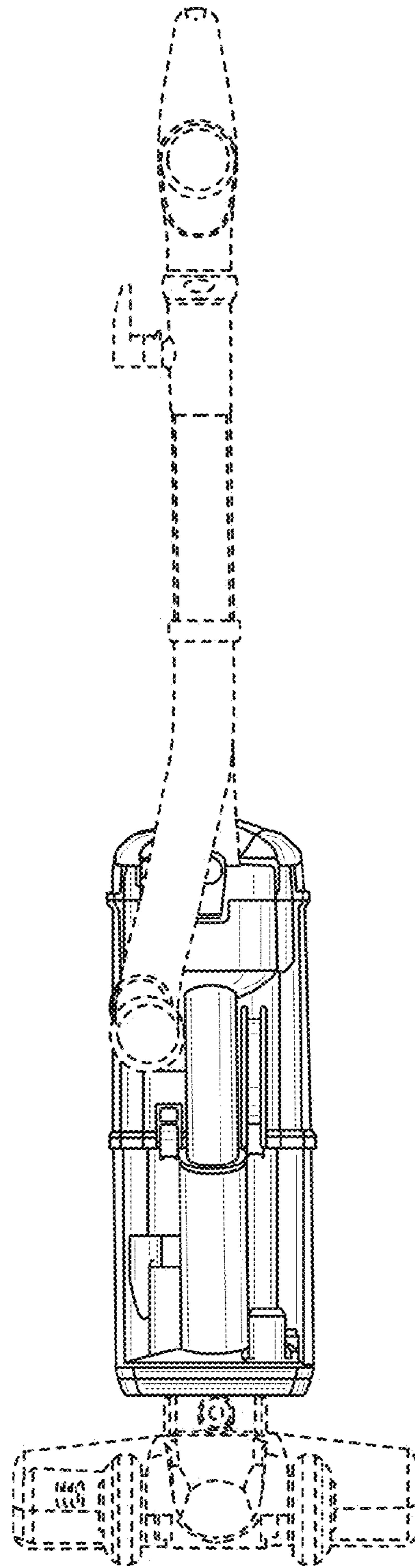


FIG. 3

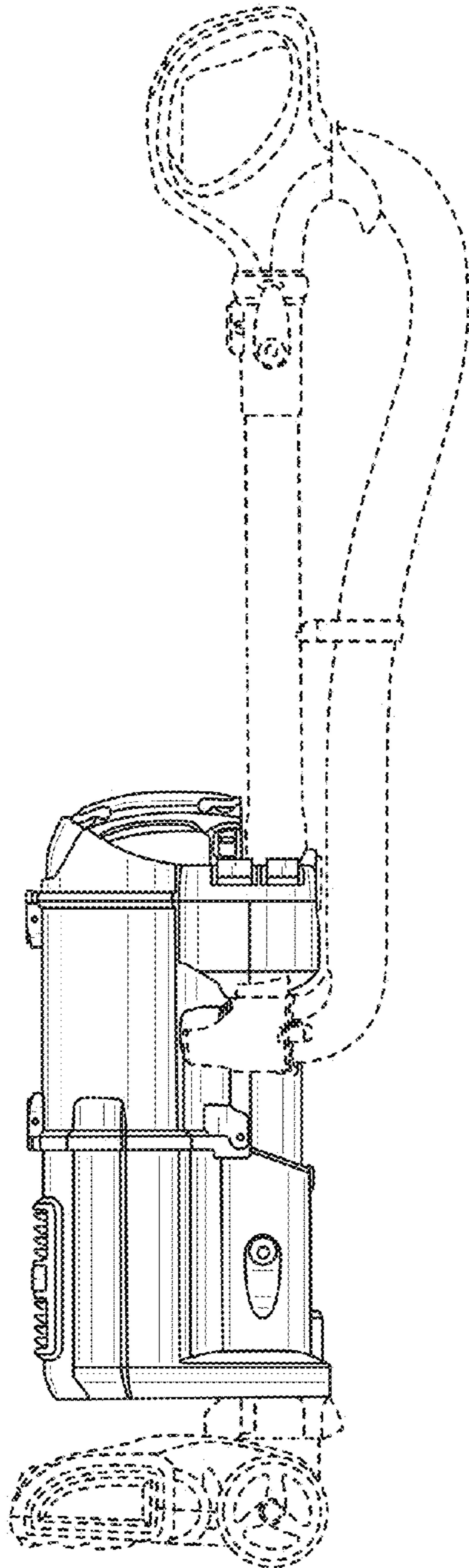


FIG. 4

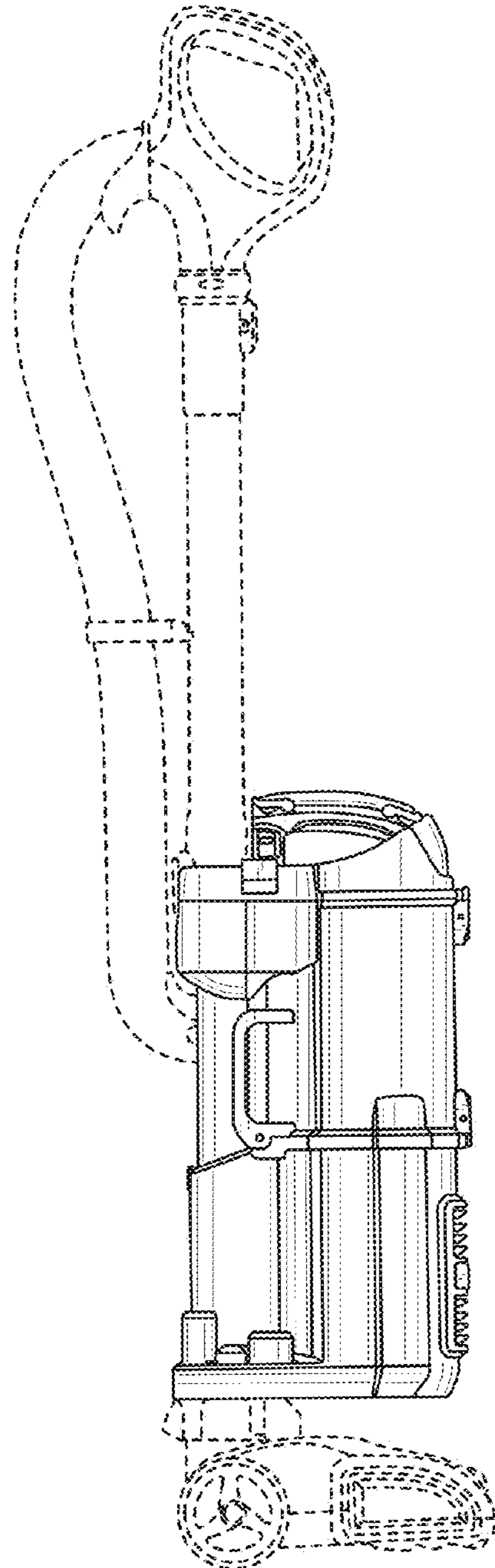


FIG. 5

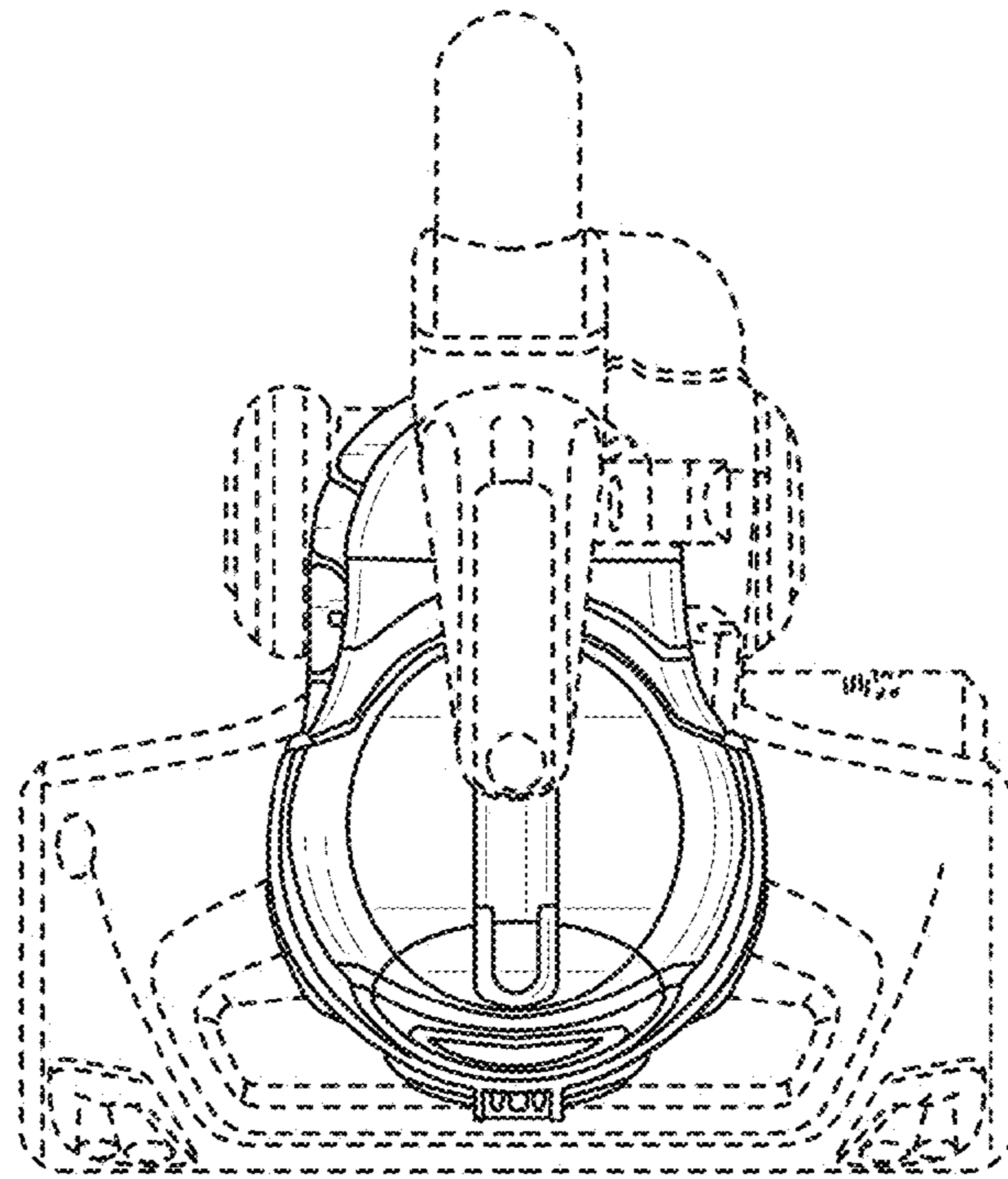


FIG. 6

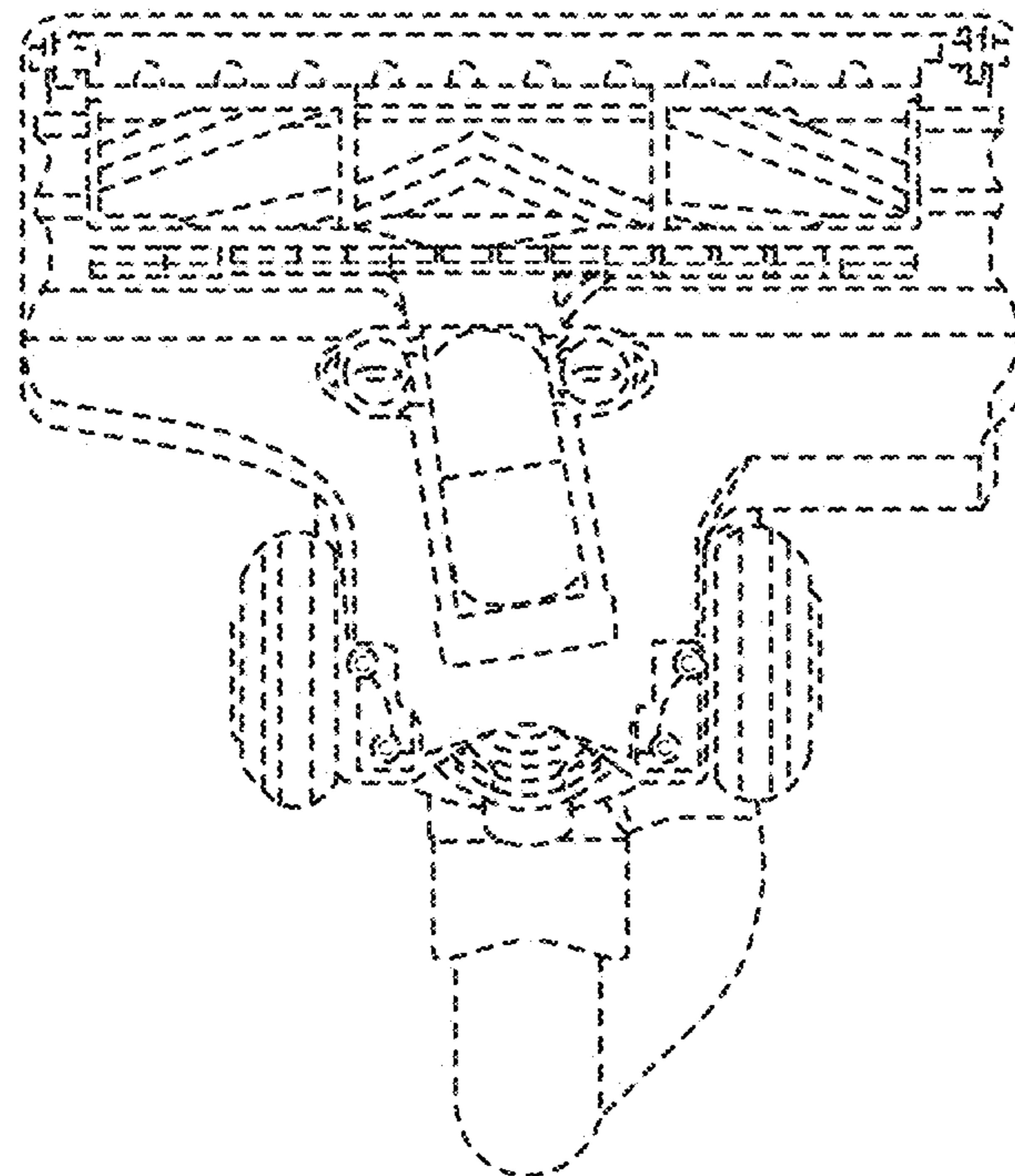


FIG. 7