



US00D740504S

(12) **United States Design Patent**
Williams et al.

(10) **Patent No.:** **US D740,504 S**

(45) **Date of Patent:** **** Oct. 6, 2015**

(54) **WET/DRY VACUUM POWERHEAD**

(71) Applicants: **Matthew A. Williams**, Bridegeton, MO (US); **Alex J. Wall**, St. Louis, MO (US)

(72) Inventors: **Matthew A. Williams**, Bridegeton, MO (US); **Alex J. Wall**, St. Louis, MO (US)

(73) Assignee: **Emerson Electric Co.**, St. Louis, MO (US)

(**) Term: **14 Years**

(21) Appl. No.: **29/484,524**

(22) Filed: **Mar. 11, 2014**

(51) **LOC (10) Cl.** **15-05**

(52) **U.S. Cl.**
USPC **D32/31**

(58) **Field of Classification Search**
USPC D32/21, 23-24, 31
CPC A47L 5/362; A47L 5/365; A47L 5/28;
A47L 9/26; A47L 11/34; A47L 7/0038;
B65H 75/18

See application file for complete search history.

(56) **References Cited**

U.S. PATENT DOCUMENTS

6,055,700	A	*	5/2000	Holsten et al.	15/327.2
D438,353	S	*	2/2001	Hoshino et al.	D32/23
D443,739	S	*	6/2001	Young et al.	D32/23
D479,023	S	*	8/2003	Holsten et al.	D32/23
D486,280	S	*	2/2004	Holsten et al.	D32/23

D614,369	S	*	4/2010	Theising et al.	D32/31
D657,101	S	*	4/2012	Williams et al.	D32/23
D666,369	S	*	8/2012	Williams et al.	D32/23
D670,048	S	*	10/2012	Theising et al.	D32/23
2009/0265882	A1	*	10/2009	Rhea et al.	15/350
2012/0233805	A1	*	9/2012	Williams	15/326

* cited by examiner

Primary Examiner — Ruth McInroy

(74) *Attorney, Agent, or Firm* — Sutton McAughan Deaver, PLLC

(57) **CLAIM**

The ornamental design for a wet/dry vacuum powerhead, as shown and described.

DESCRIPTION

FIG. 1 is an isometric front perspective view of a wet/dry vacuum powerhead in accordance with an embodiment of the present invention;

FIG. 2 is a front view thereof;

FIG. 3 is a back view thereof;

FIG. 4 is a side view thereof;

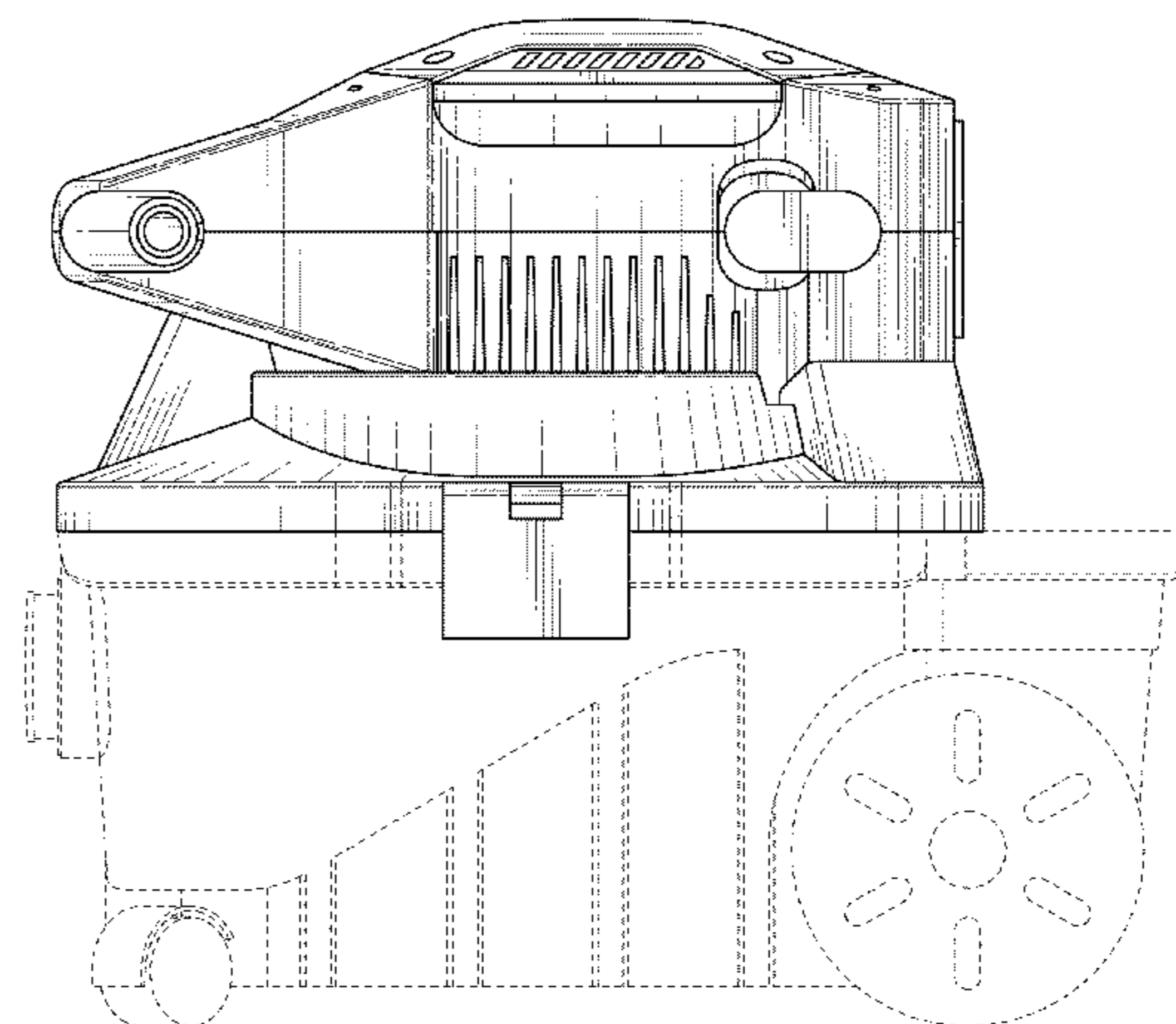
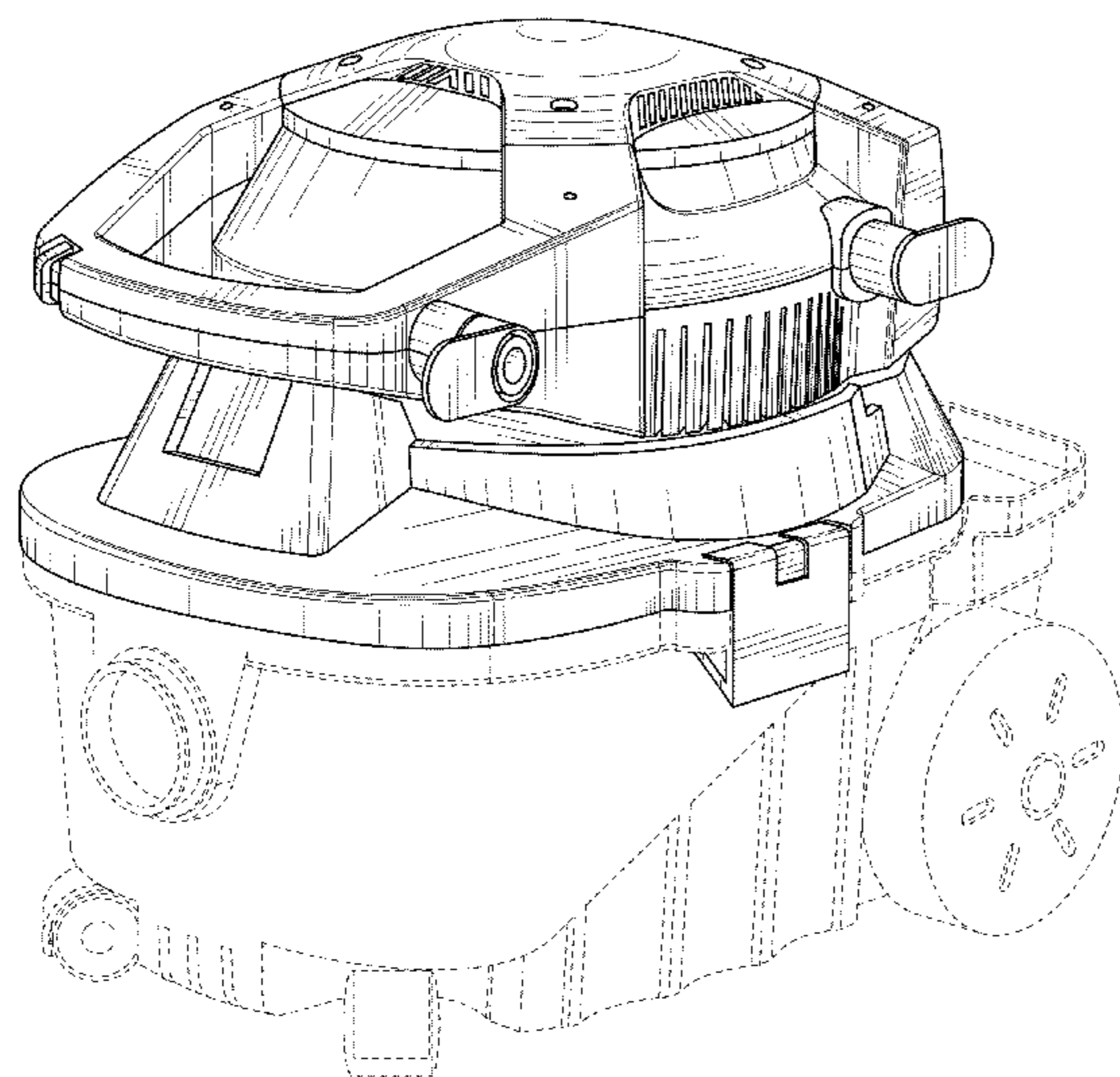
FIG. 5 is a side view, showing the side opposite that shown in FIG. 4;

FIG. 6 is a top view thereof; and,

FIG. 7 is a bottom view thereof.

The broken lines in the Figures are for the purpose of illustrating exemplary environmental structure and form no part of the claimed design.

1 Claim, 7 Drawing Sheets



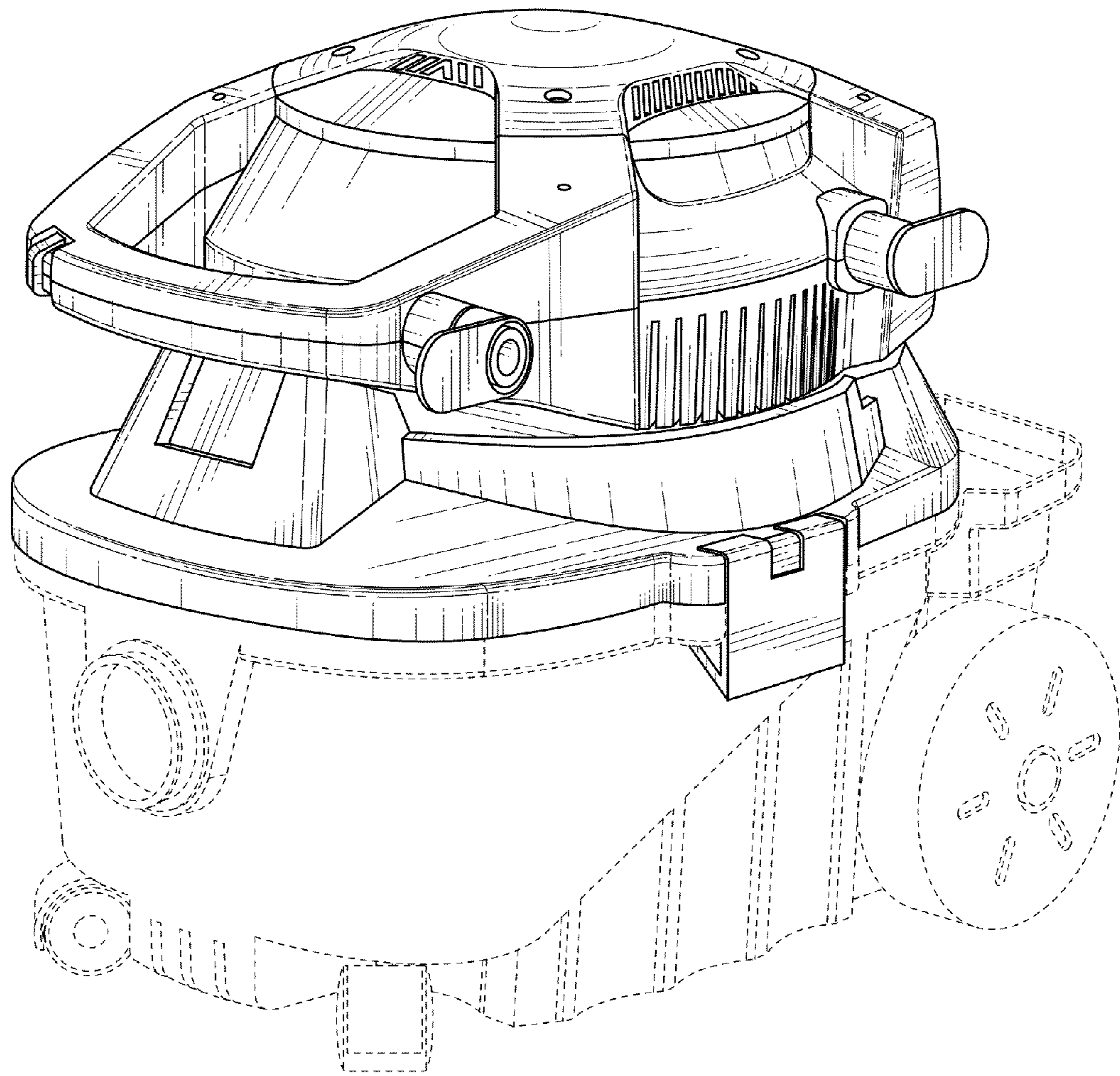


FIG. 1

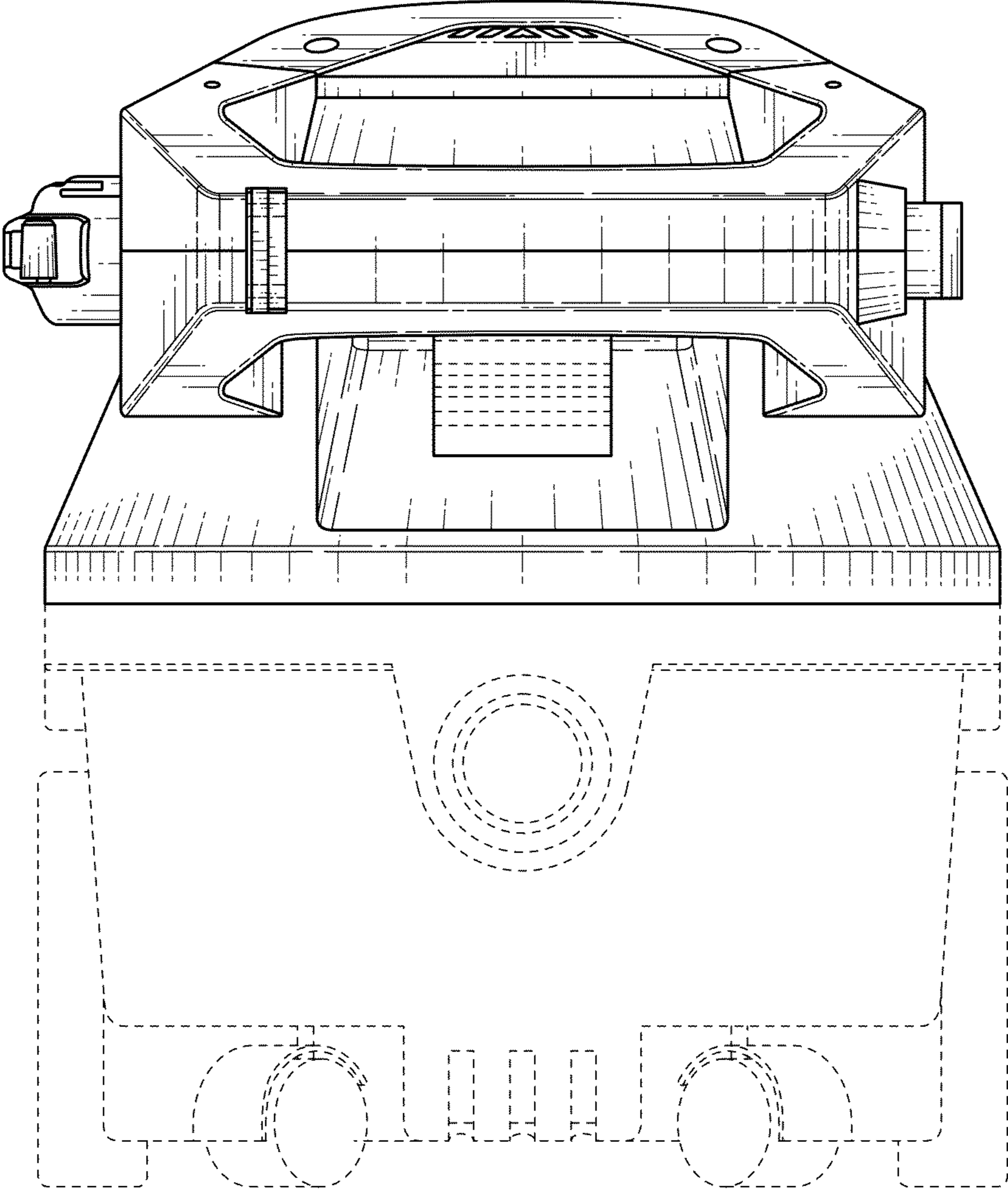


FIG. 2

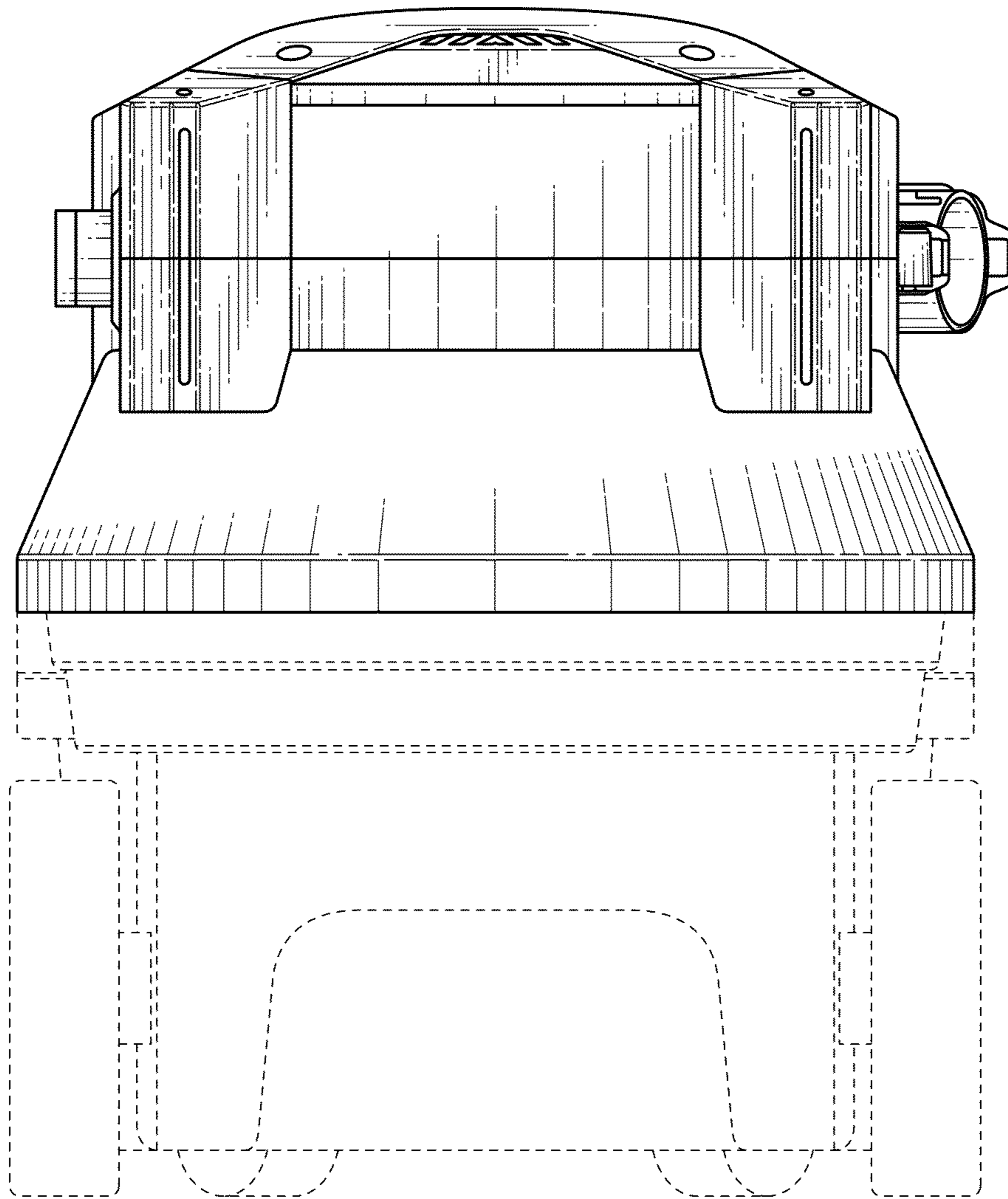


FIG. 3

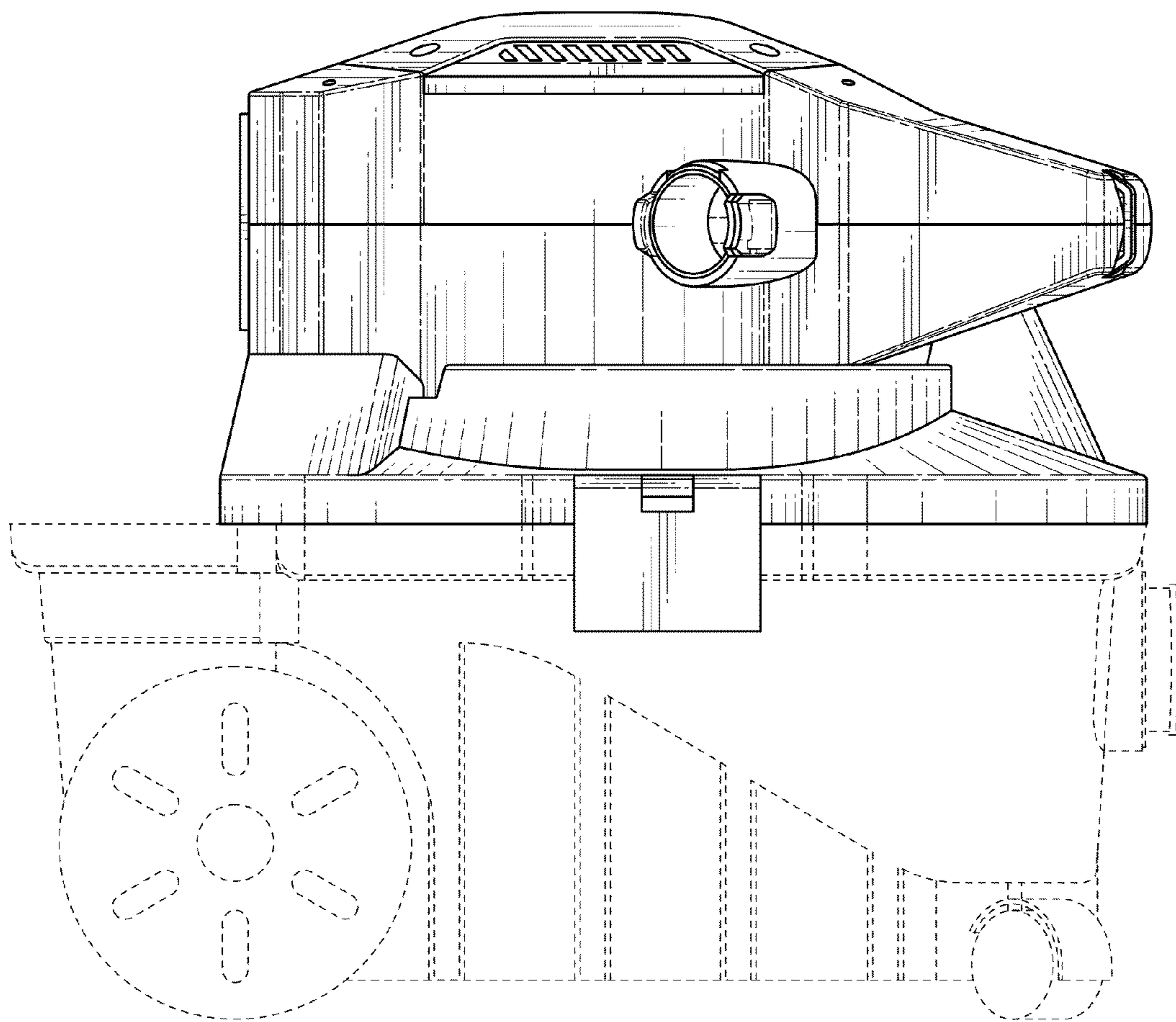


FIG. 4

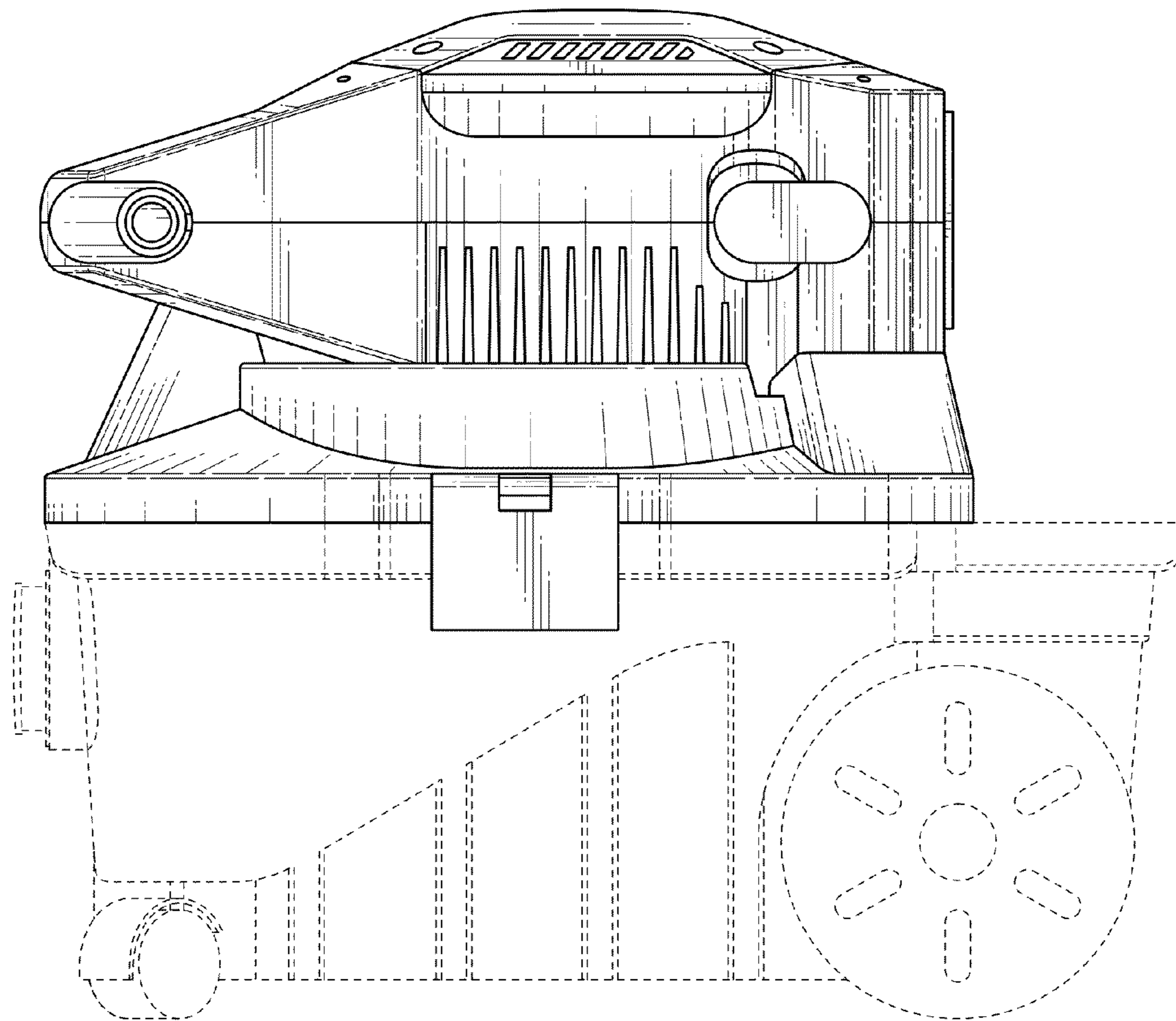


FIG. 5

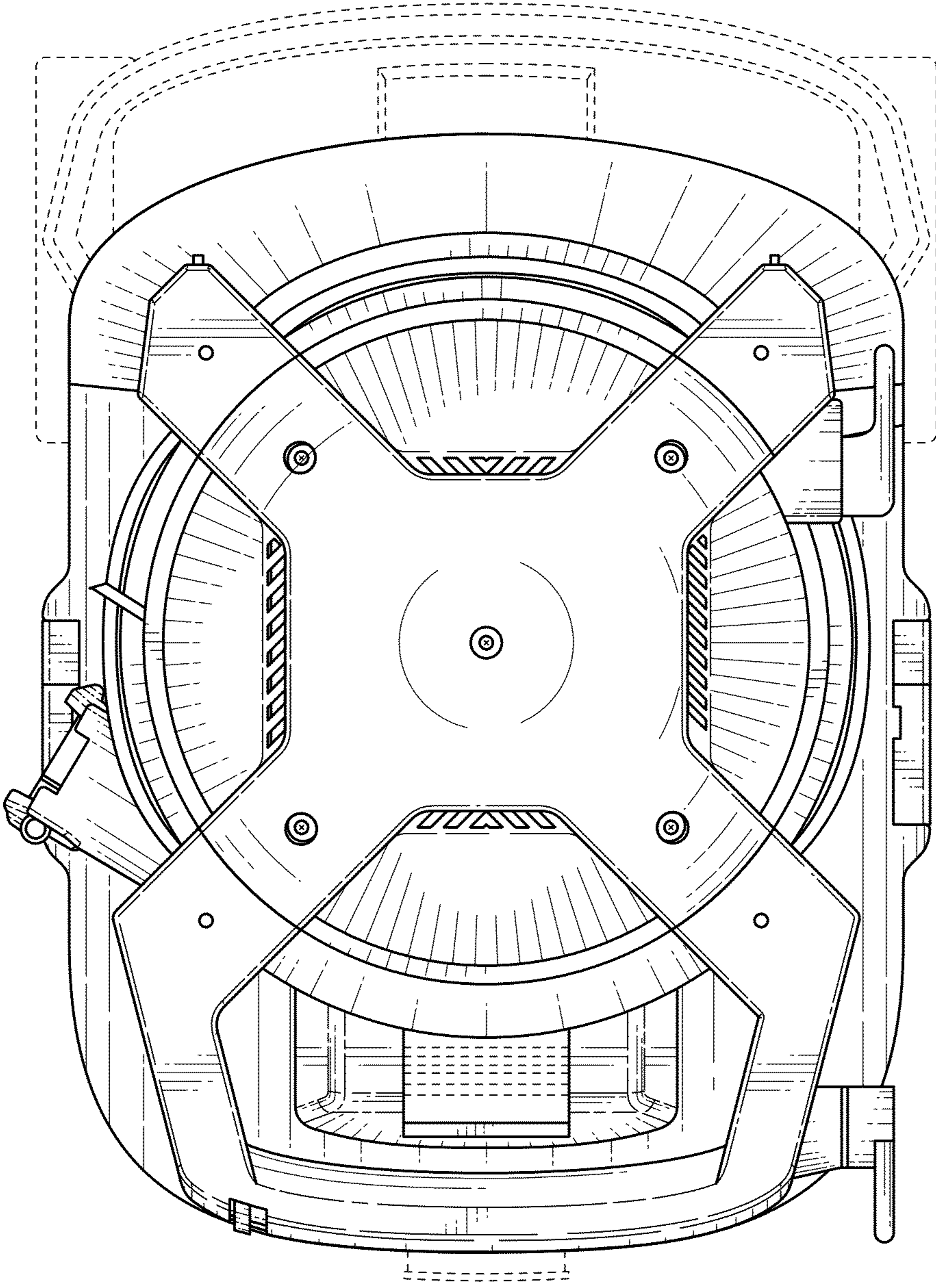


FIG. 6

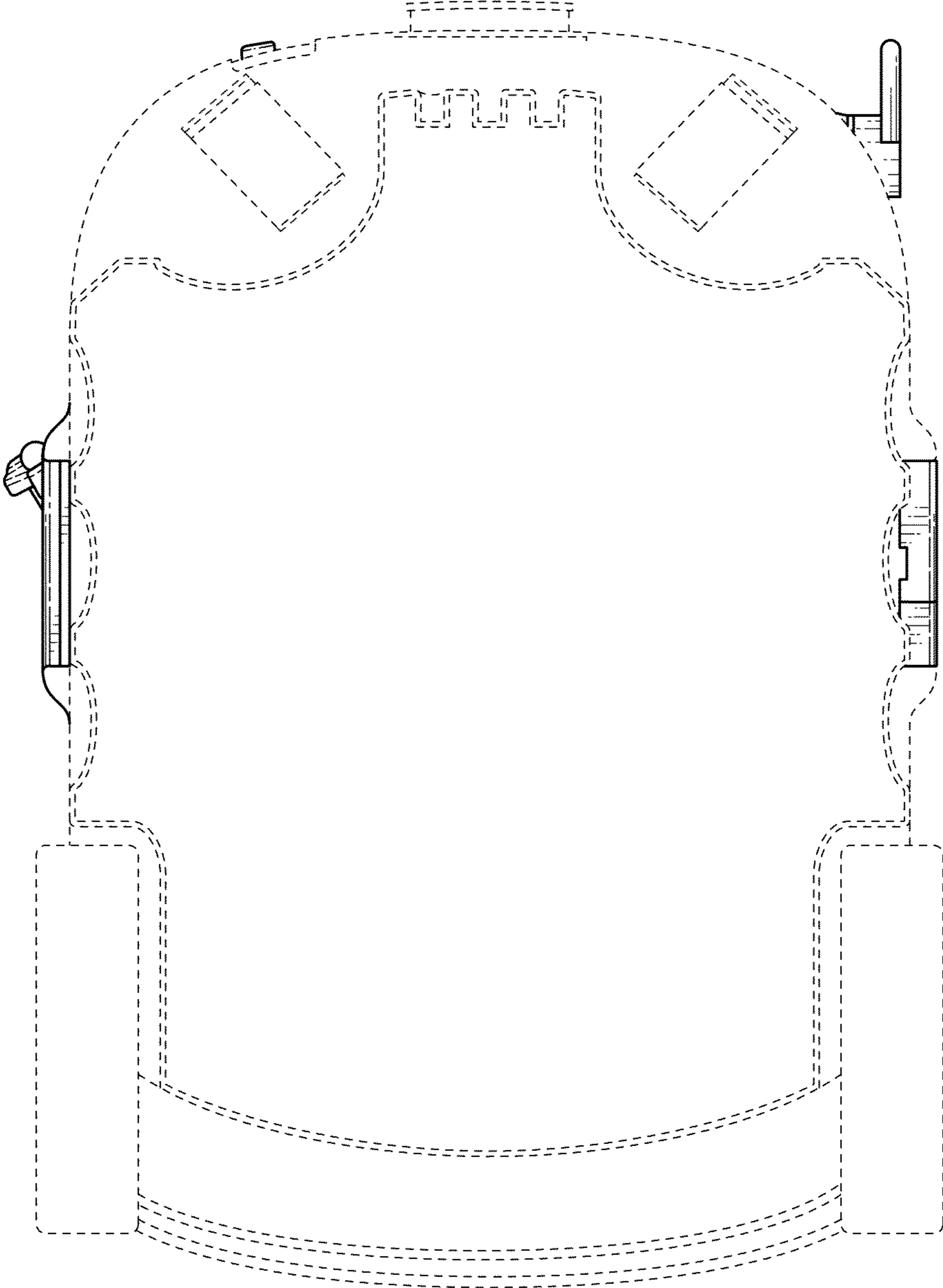


FIG. 7