



US00D740503S

(12) **United States Design Patent**
Tyler

(10) **Patent No.:** **US D740,503 S**
(45) **Date of Patent:** **** Oct. 6, 2015**

- (54) **FLOOR CLEANING DEVICE**
- (71) Applicant: **Techtronic Floor Care Technology Limited**, Tortola (VG)
- (72) Inventor: **Jake Tyler**, Birmingham (GB)
- (73) Assignee: **Techtronic Floor Care Technology Limited** (VG)
- (**) Term: **14 Years**
- (21) Appl. No.: **29/486,495**
- (22) Filed: **Mar. 31, 2014**

- (30) **Foreign Application Priority Data**
Sep. 30, 2013 (CN) 2013 3 0469434
- (51) **LOC (10) Cl.** **15-05**
- (52) **U.S. Cl.**
USPC **D32/22**
- (58) **Field of Classification Search**
USPC D32/31, 21, 22, 24, 34; 15/350-353,
15/361-362, 347, 410-411, 414, 320-322,
15/329, 335, 246.2, 1.7, 340.2, DIG. 10;
55/345
CPC A47L 5/24; A47L 11/34; A47L 5/362;
A47L 19/1666; A47L 9/325; B01D 45/12;
B01D 50/002
See application file for complete search history.

- (56) **References Cited**
U.S. PATENT DOCUMENTS
D510,465 S * 10/2005 Takahashi et al. D32/22
D521,699 S * 5/2006 Greene et al. D32/22

- D532,944 S * 11/2006 Choi D32/22
- D537,584 S * 2/2007 Greene et al. D32/22
- D553,313 S * 10/2007 Parr et al. D32/22
- D570,562 S * 6/2008 Paredes et al. D32/22
- D573,759 S * 7/2008 Konno et al. D32/22
- D615,717 S * 5/2010 Butts et al. D32/22
- D646,856 S * 10/2011 Breit et al. D32/22
- D652,589 S * 1/2012 Lee D32/22
- D662,677 S * 6/2012 Bilger et al. D32/22
- D671,283 S * 11/2012 Paterson D32/22

* cited by examiner

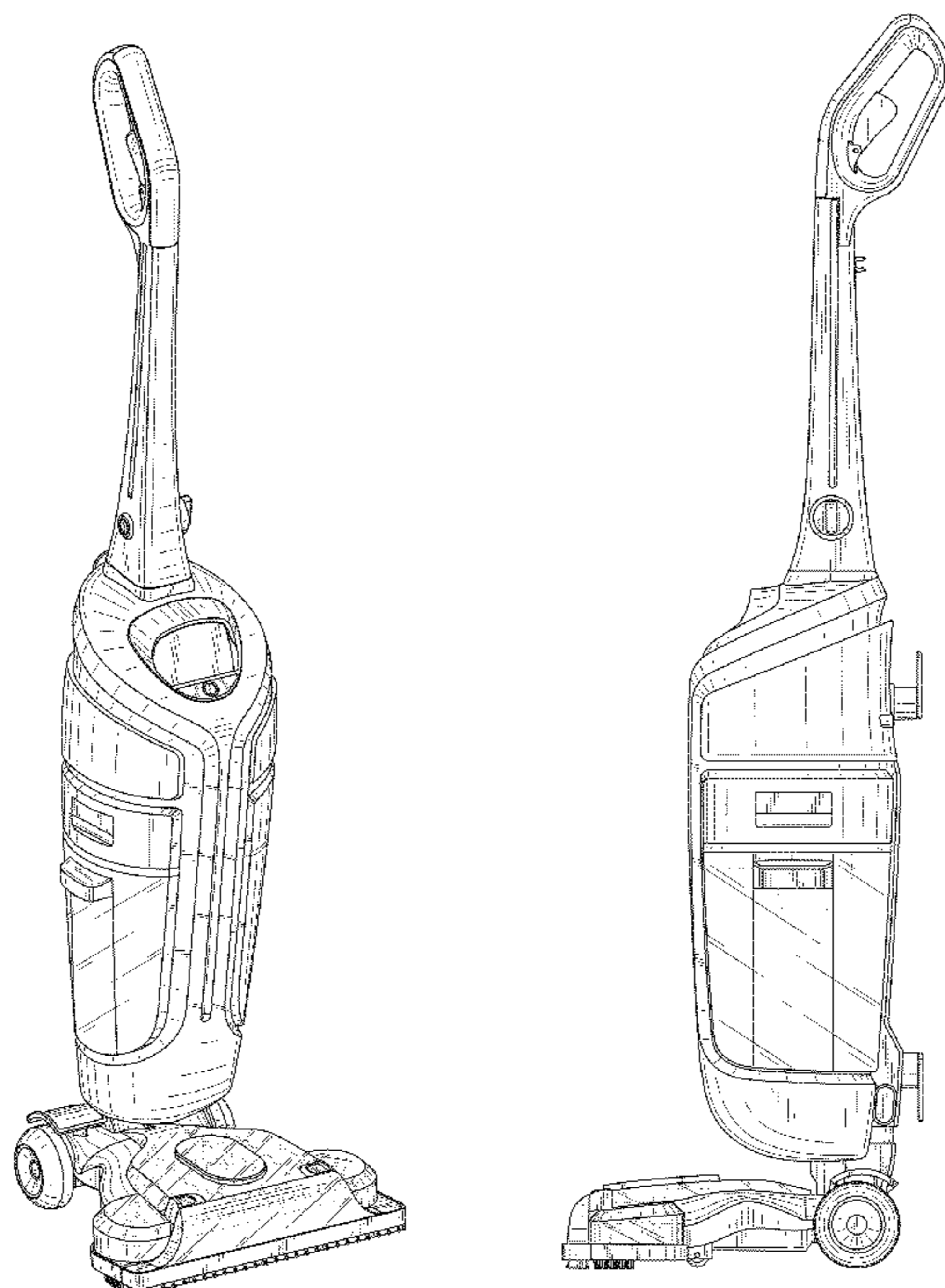
Primary Examiner — Ruth McInroy
(74) *Attorney, Agent, or Firm* — Michael Best & Friedrich LLP

(57) **CLAIM**
We claim the ornamental design for a floor cleaning device, as shown and described.

DESCRIPTION

FIG. 1 is a perspective view of a floor cleaning device embodying the invention;
FIG. 2 is a right side view of the floor cleaning device of FIG. 1;
FIG. 3 is a left side view of the floor cleaning device of FIG. 1;
FIG. 4 is a front view of the floor cleaning device of FIG. 1;
FIG. 5 is a rear view of the floor cleaning device of FIG. 1; and,
FIG. 6 is a top view of the floor cleaning device of FIG. 1.
The elements shown in broken lines are included for the purpose of illustrating environment and form no part of the claimed design.

1 Claim, 6 Drawing Sheets



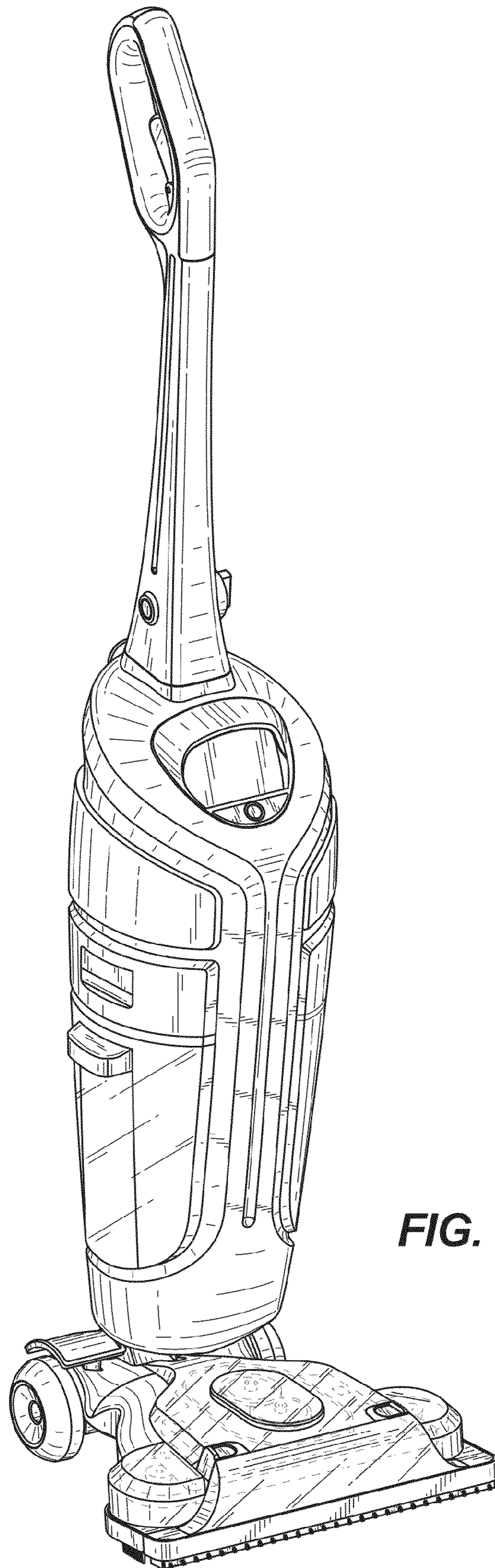


FIG. 1

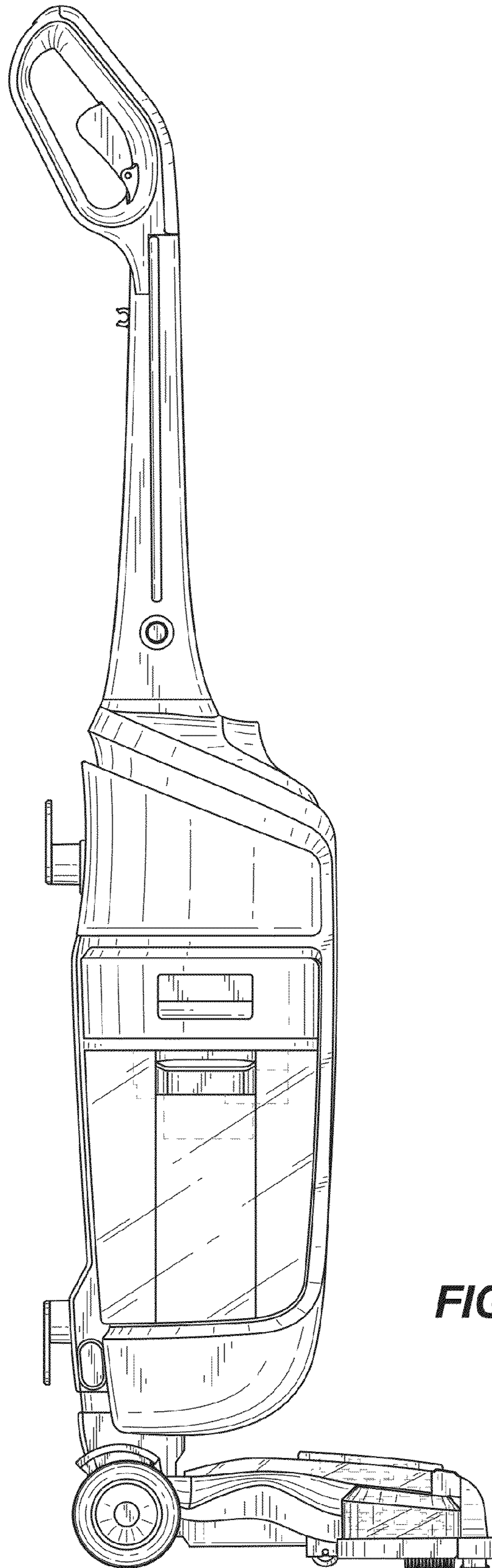


FIG. 2

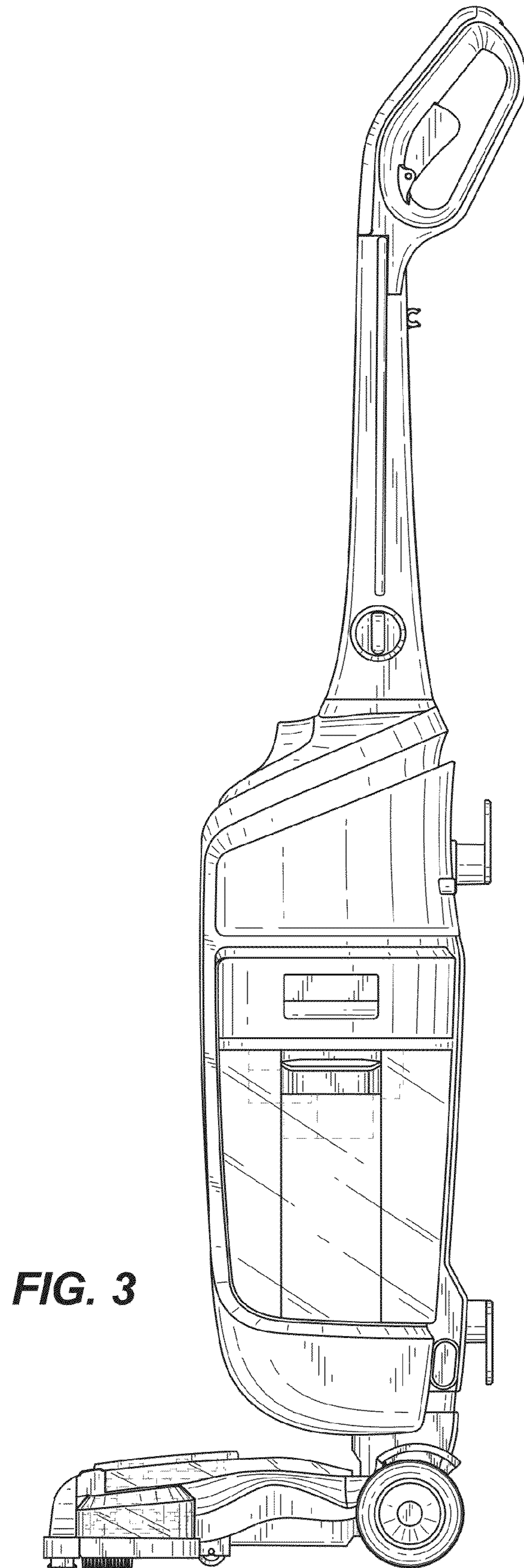


FIG. 3

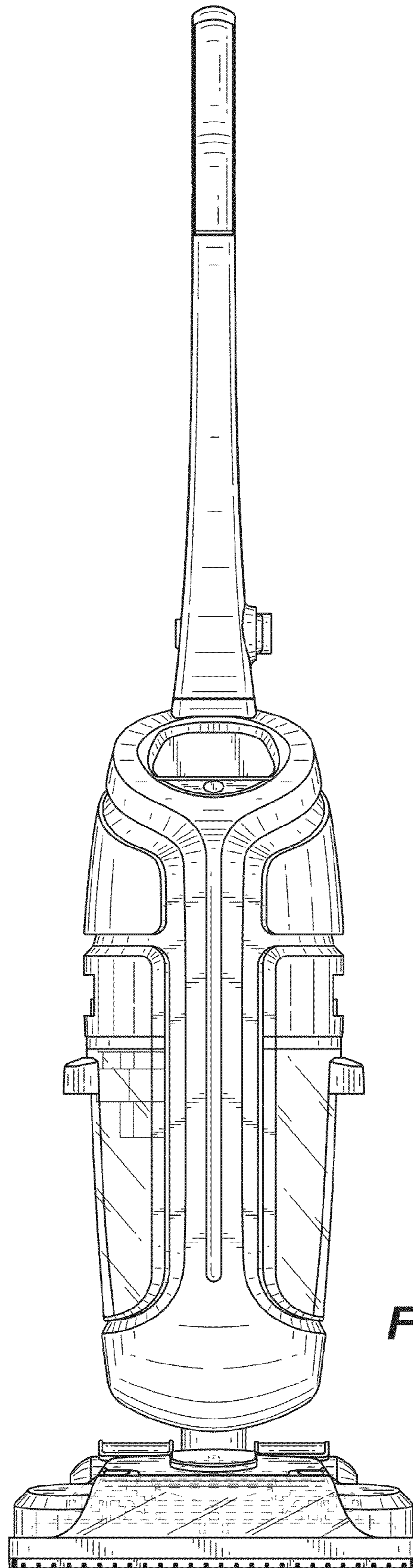


FIG. 4

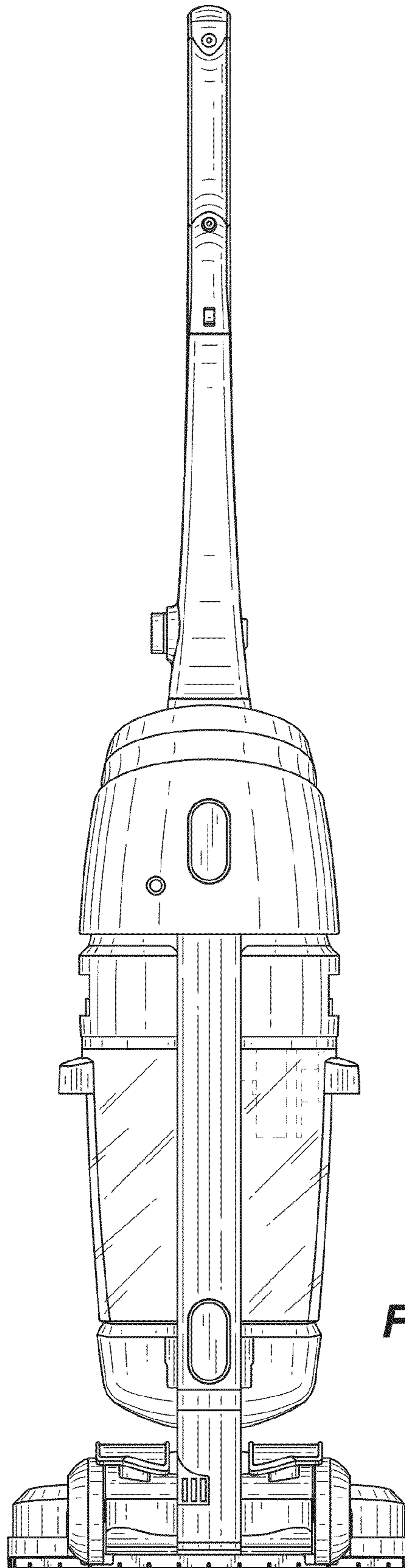


FIG. 5

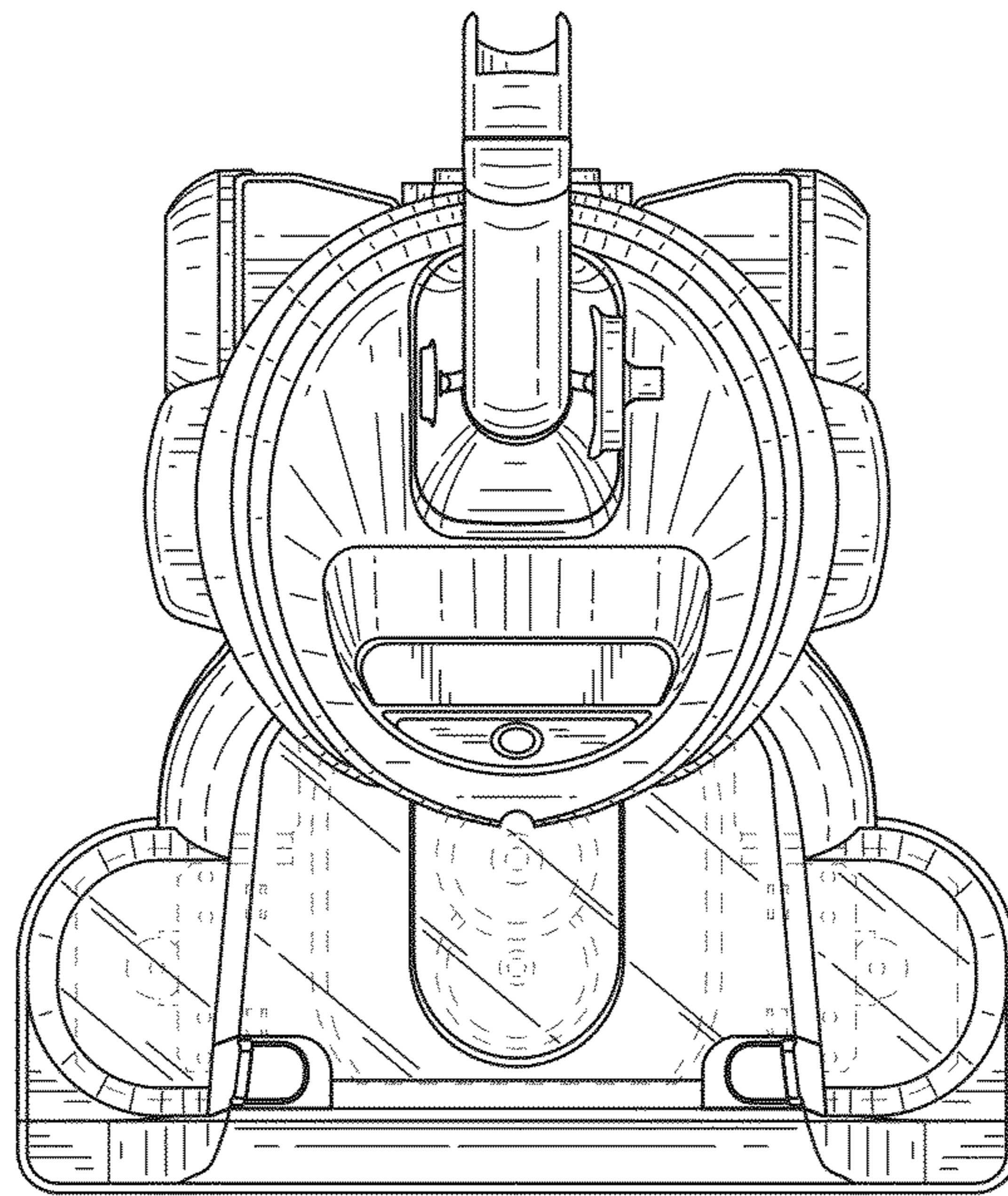


FIG. 6