



US00D740502S

(12) **United States Design Patent**
Janda

(10) **Patent No.:** **US D740,502 S**
(45) **Date of Patent:** **** Oct. 6, 2015**

- (54) **VACUUM CLEANER**
- (71) Applicant: **Milwaukee Electric Tool Corporation,**
Brookfield, WI (US)
- (72) Inventor: **Timothy Janda,** Kenosha, WI (US)
- (73) Assignee: **Milwaukee Electric Tool Corporation,**
Brookfield, WI (US)
- (**) Term: **14 Years**
- (21) Appl. No.: **29/499,120**
- (22) Filed: **Aug. 12, 2014**
- (51) **LOC (10) Cl.** **15-05**
- (52) **U.S. Cl.**
USPC **D32/18**
- (58) **Field of Classification Search**
USPC D32/1, 15-16, 18, 21-22, 31, 34;
D30/158
CPC A47L 5/24; A47L 5/362; A47L 15/28;
A47L 9/325; A47L 9/2857; A47L 9/1427;
A47L 15/14; A47L 9/2884; A47L 9/1666;
A47L 9/1683; A47L 9/1625; A47L 9/22;
B26B 19/44; B60S 3/002; F28G 3/166;
B01D 50/002; B01D 45/12; B01D 46/4254;
B01D 46/10
See application file for complete search history.

- 6,334,234 B1 1/2002 Conrad et al.
- 6,344,064 B1 2/2002 Conrad
- 6,391,095 B1 5/2002 Conrad et al.
- 6,440,197 B1 8/2002 Conrad et al.
- 6,582,489 B2 6/2003 Conrad
- 6,599,340 B2 7/2003 Conrad et al.

(Continued)

Primary Examiner — Ruth McInroy
(74) *Attorney, Agent, or Firm* — Michael Best & Friedrich LLP

(57) **CLAIM**

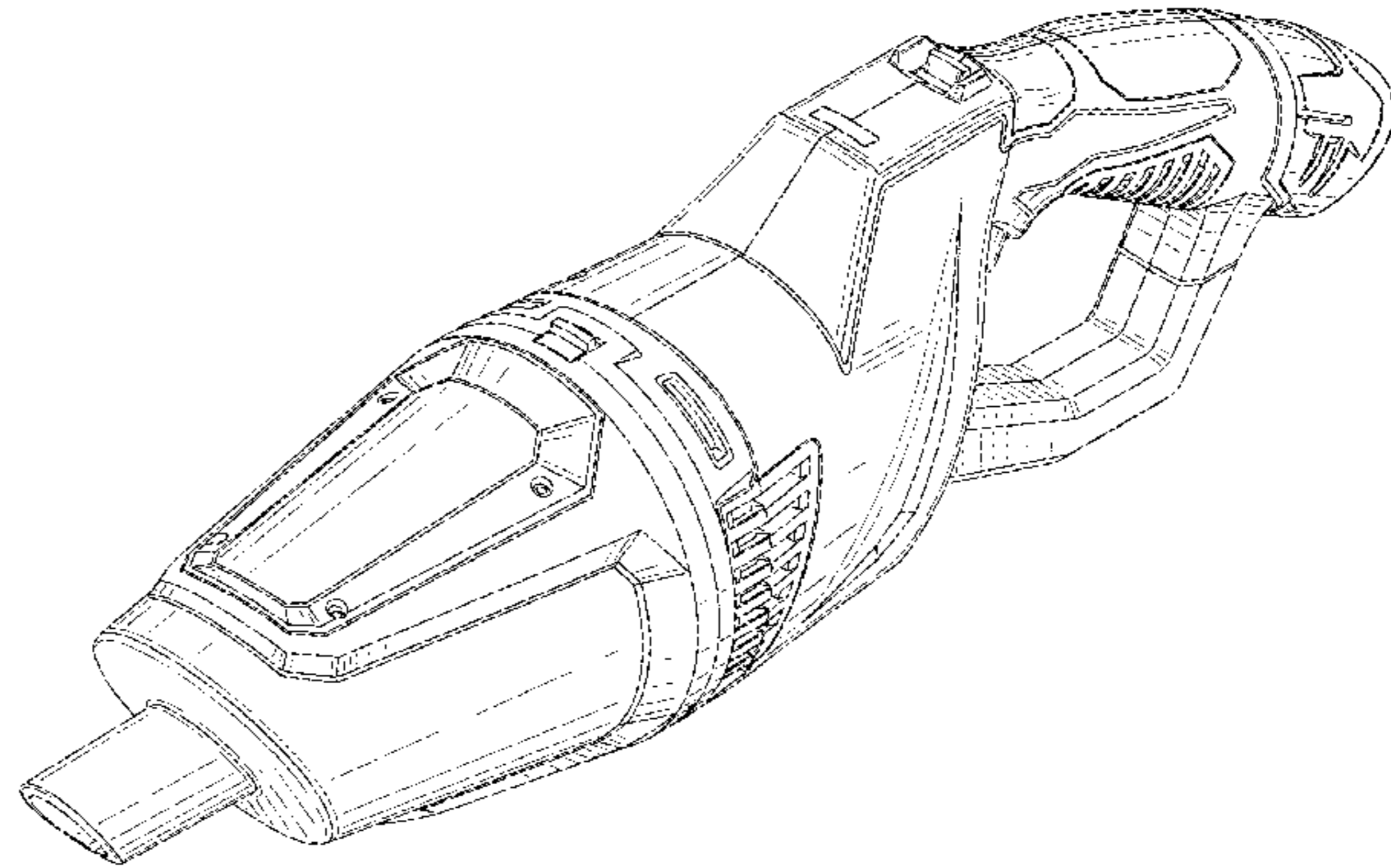
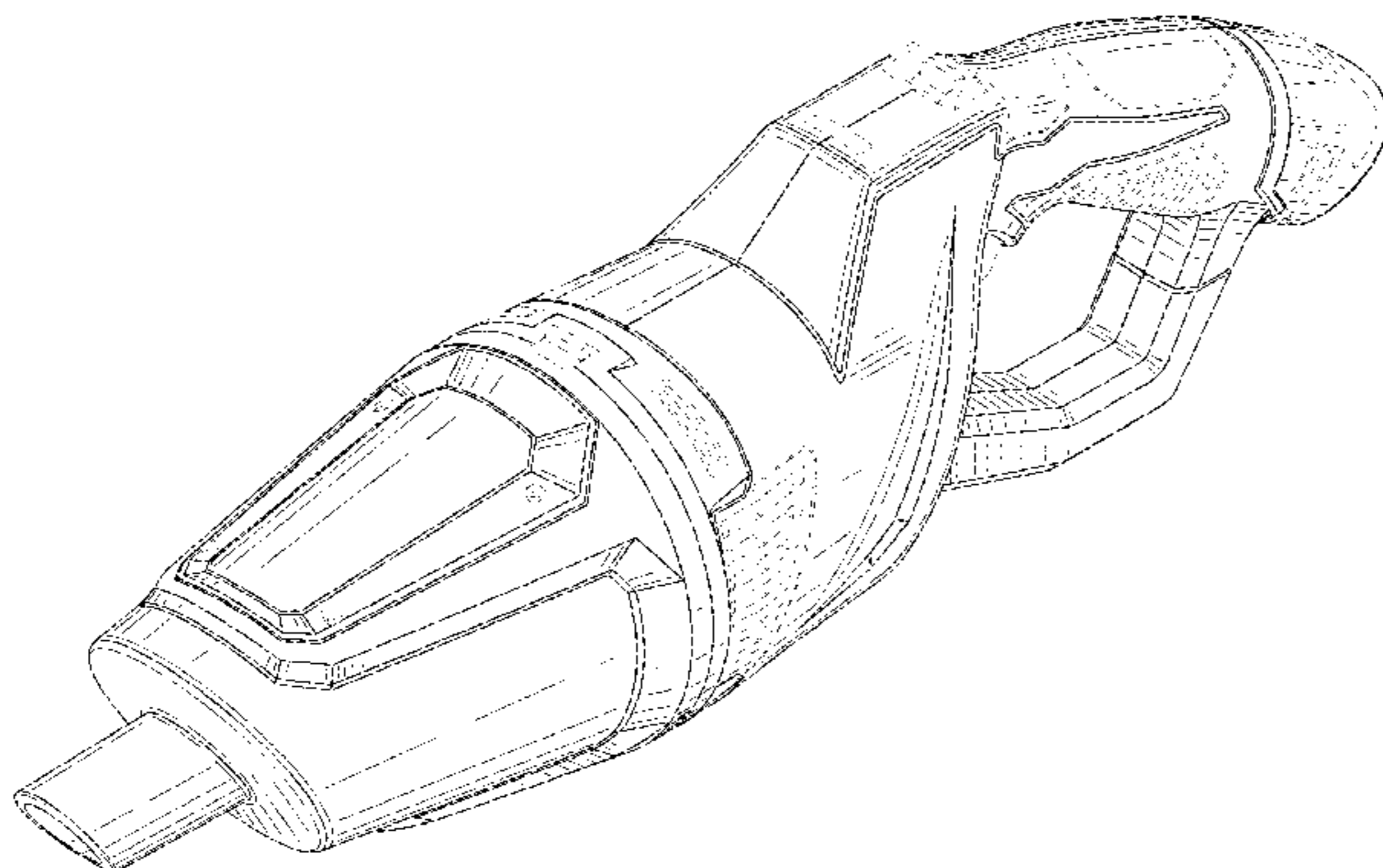
I claim the ornamental design for a vacuum cleaner, as shown and described.

DESCRIPTION

FIG. 1 is perspective view of a vacuum cleaner according to an embodiment of the invention.
 FIG. 2 is a left side view of the vacuum cleaner of FIG. 1.
 FIG. 3 is a right side view of the vacuum cleaner of FIG. 1.
 FIG. 4 is a front view of the vacuum cleaner of FIG. 1.
 FIG. 5 is a back view of the vacuum cleaner of FIG. 1.
 FIG. 6 is a top view of the vacuum cleaner of FIG. 1.
 FIG. 7 is a bottom view of the vacuum cleaner of FIG. 1.
 FIG. 8 is perspective view of a vacuum cleaner according to another embodiment of the invention.
 FIG. 9 is a left side view of the vacuum cleaner of FIG. 8.
 FIG. 10 is a right side view of the vacuum cleaner of FIG. 8.
 FIG. 11 is a front view of the vacuum cleaner of FIG. 8.
 FIG. 12 is a back view of the vacuum cleaner of FIG. 8.
 FIG. 13 is a top view of the vacuum cleaner of FIG. 8; and,
 FIG. 14 is a bottom view of the vacuum cleaner of FIG. 8.
 The elements shown in broken lines are included for the purpose of illustrating environment and form no part of the claimed design.

1 Claim, 8 Drawing Sheets

- (56) **References Cited**
U.S. PATENT DOCUMENTS
6,141,826 A 11/2000 Conrad et al.
6,173,474 B1 1/2001 Conrad
6,221,134 B1 4/2001 Conrad et al.
6,228,260 B1 5/2001 Conrad et al.



(56)

References Cited

U.S. PATENT DOCUMENTS

6,736,873 B2	5/2004	Conrad et al.	7,628,832 B2	12/2009	Sepke et al.
6,782,585 B1	8/2004	Conrad et al.	D608,063 S *	1/2010	Okuda et al. D32/18
6,874,197 B1	4/2005	Conrad et al.	D608,511 S *	1/2010	Okuda et al. D32/18
6,902,596 B2	6/2005	Conrad et al.	7,882,593 B2	2/2011	Beskow et al.
D527,501 S *	8/2006	Tai D32/18	7,967,884 B2	6/2011	Sepke et al.
7,163,588 B2	1/2007	Bergman	8,015,659 B2	9/2011	Conrad et al.
7,343,641 B2	3/2008	Shanor	8,097,057 B2	1/2012	Arnold
7,422,614 B2	9/2008	Sepke et al.	8,151,411 B2	4/2012	Beskow et al.
7,449,040 B2	11/2008	Conrad et al.	8,262,763 B2	9/2012	Sepke
7,455,708 B2	11/2008	Conrad et al.	D668,822 S *	10/2012	Tinius D32/15
7,588,616 B2	9/2009	Conrad et al.	8,302,251 B2	11/2012	Beskow et al.
			8,424,154 B2	4/2013	Beskow et al.
			2010/0192314 A1 *	8/2010	Otsuka et al. 15/3
			2014/0082882 A1 *	3/2014	Kawamata et al. 15/330

* cited by examiner

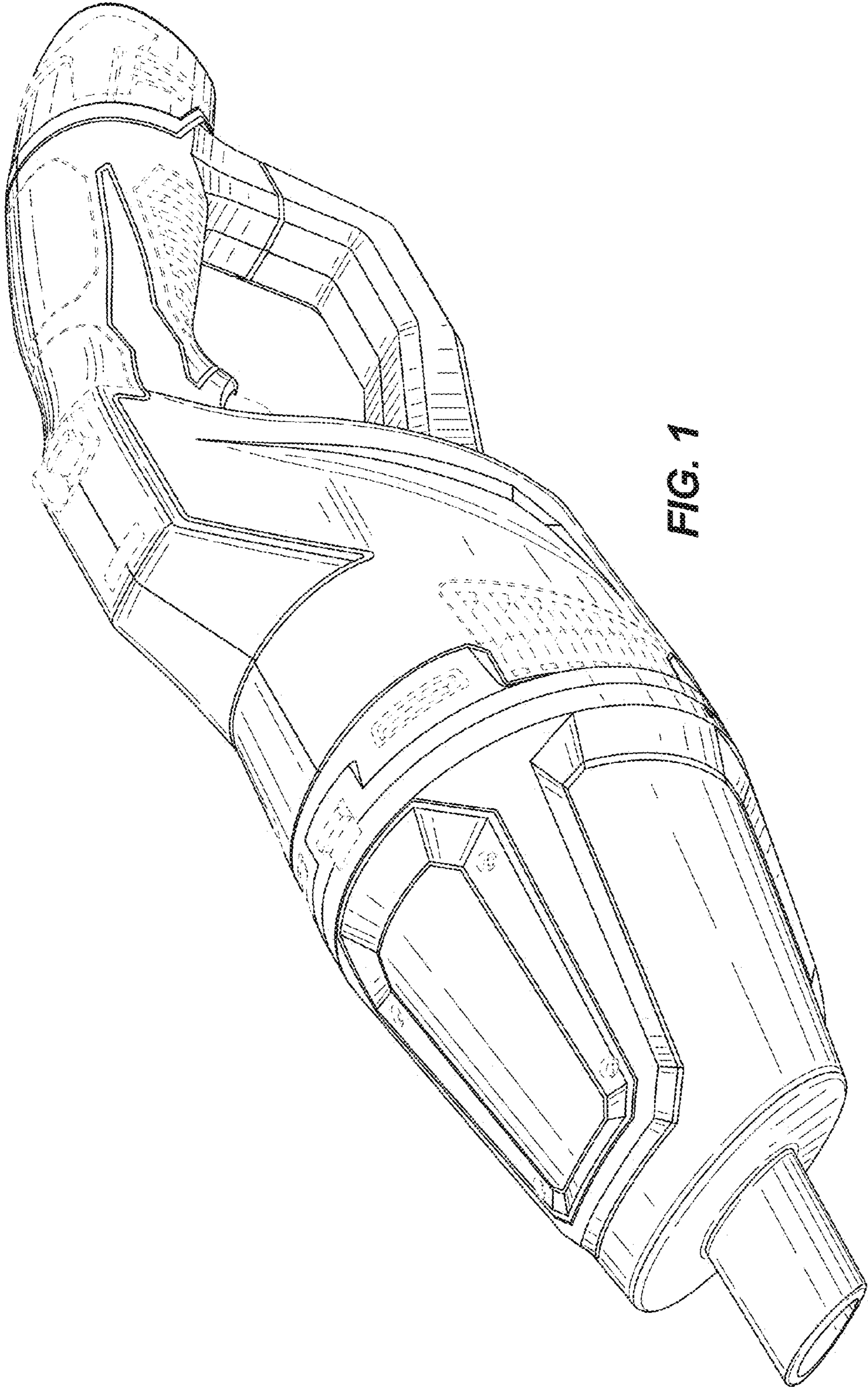


FIG. 1

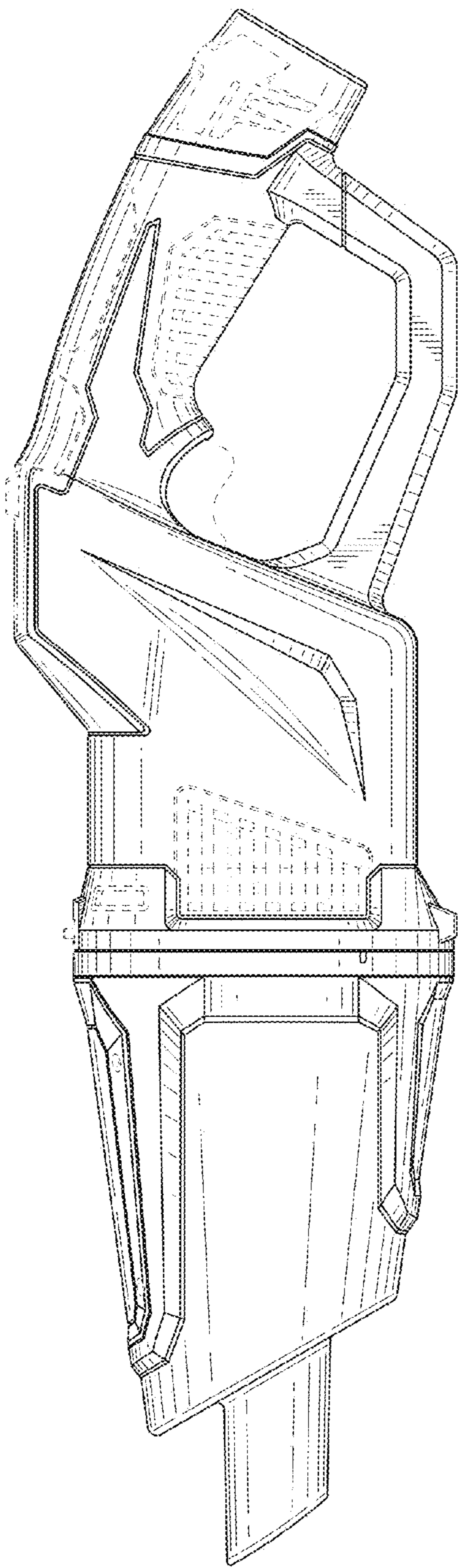


FIG. 2

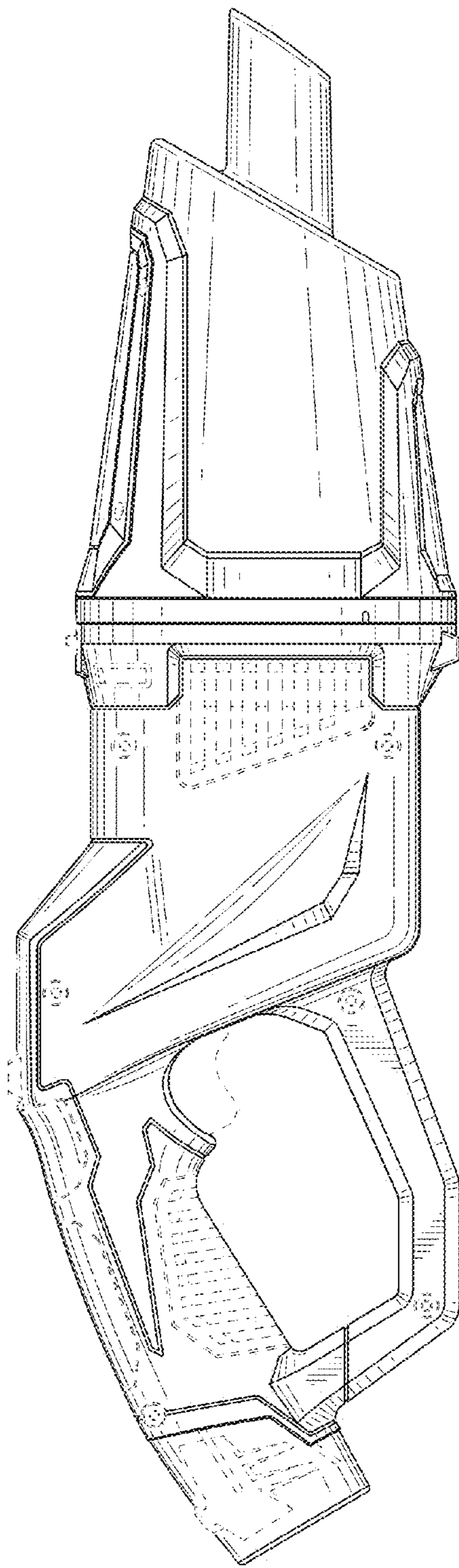


FIG. 3

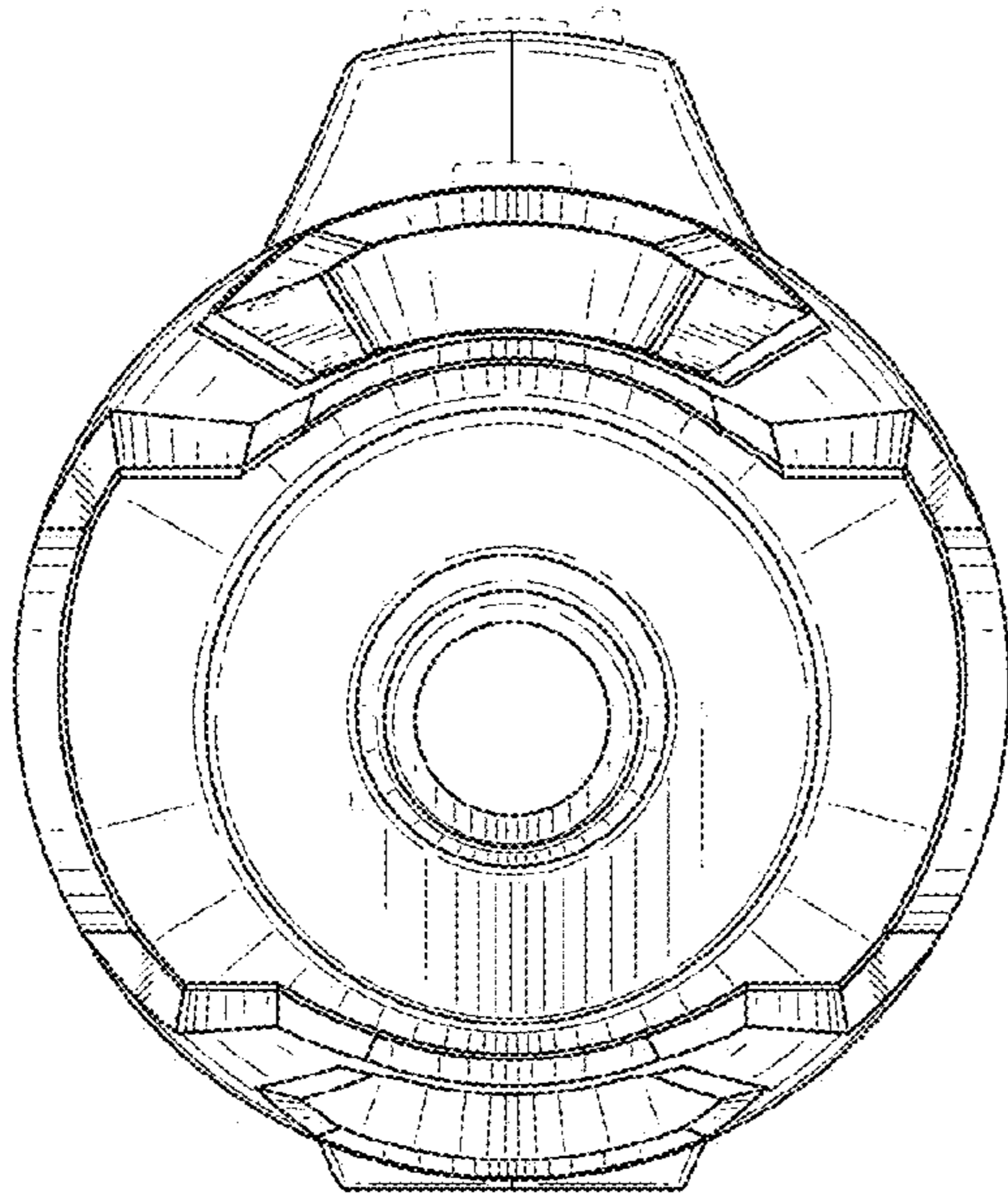


FIG. 4

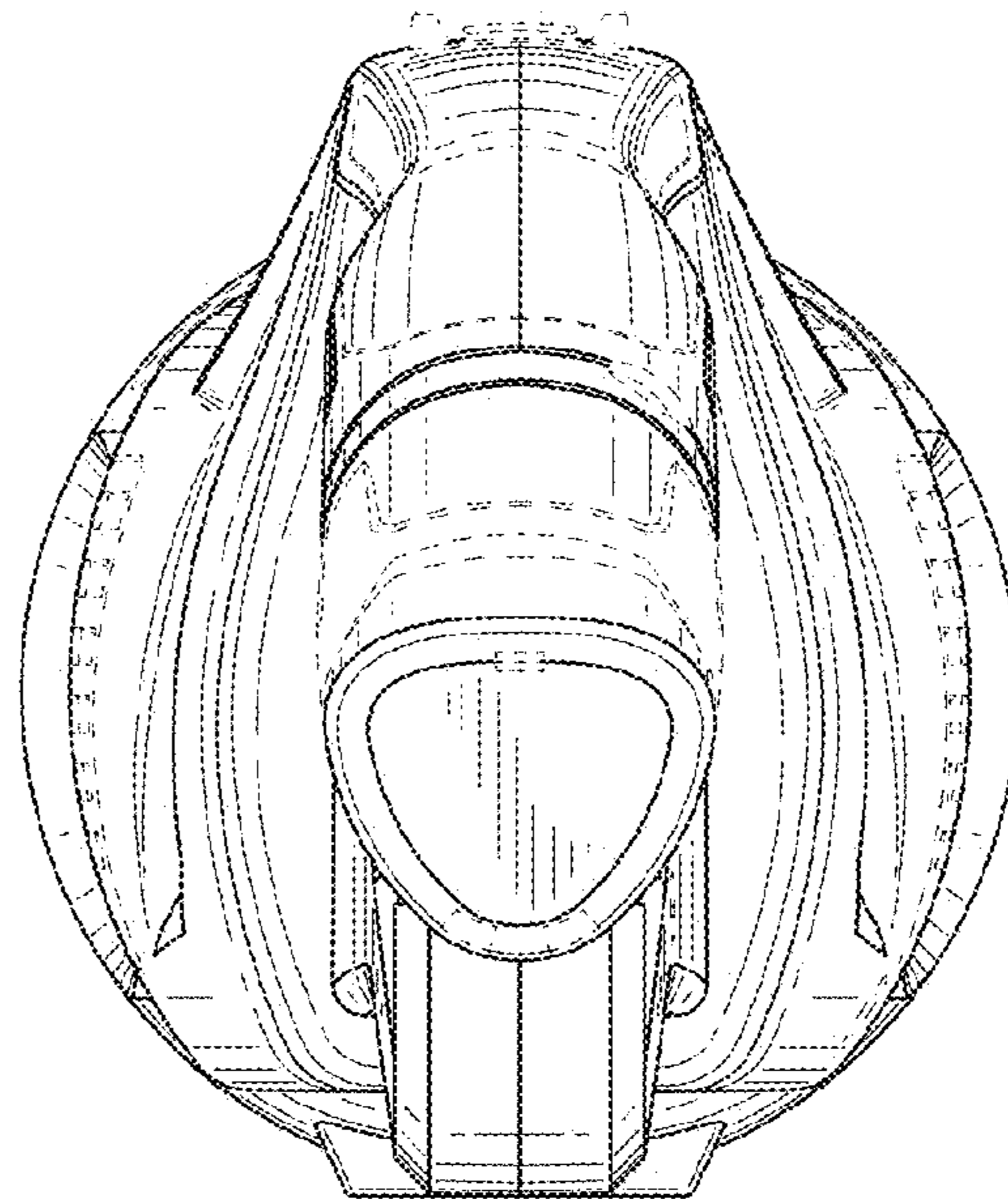


FIG. 5

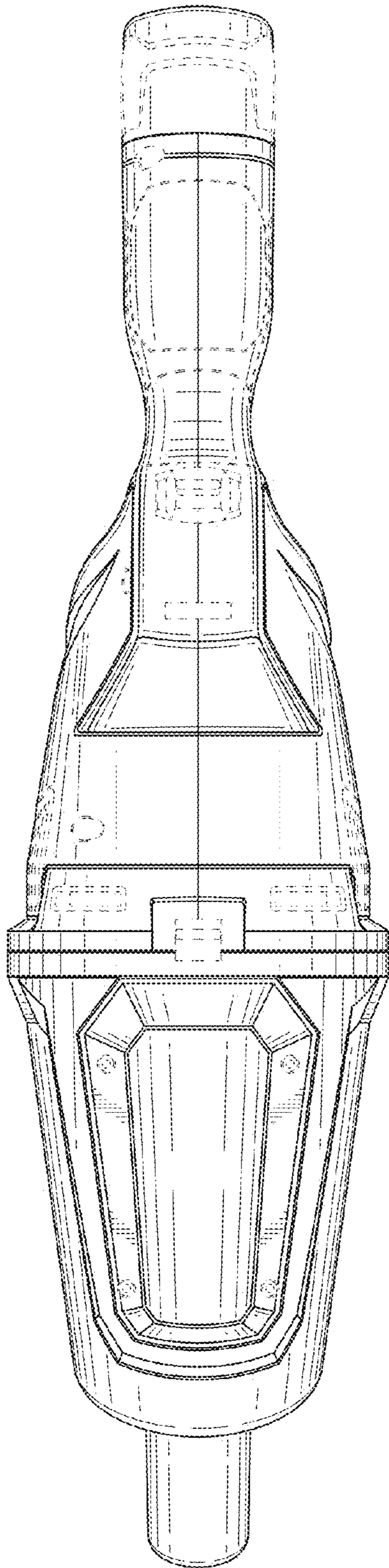


FIG. 6

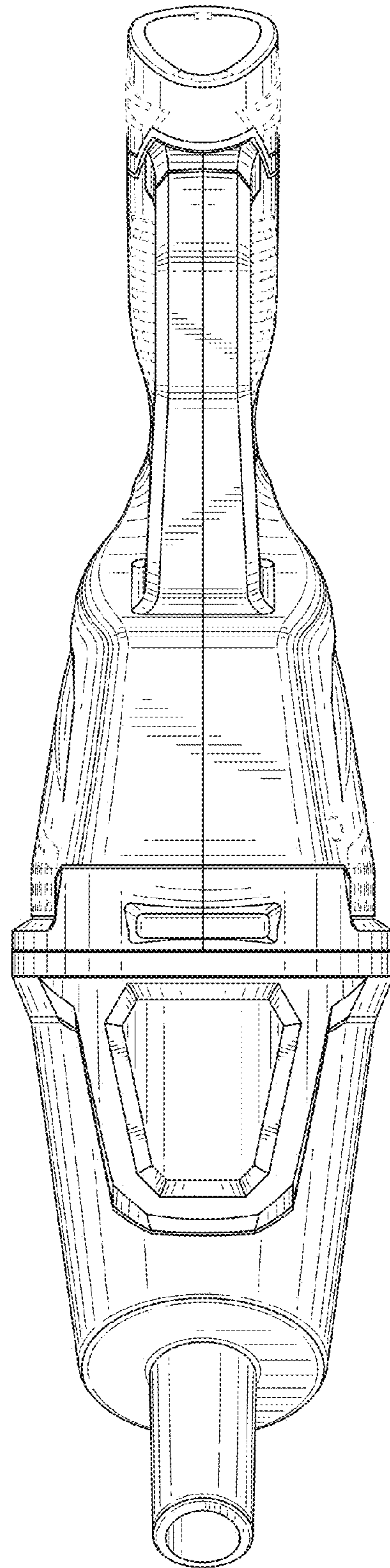


FIG. 7

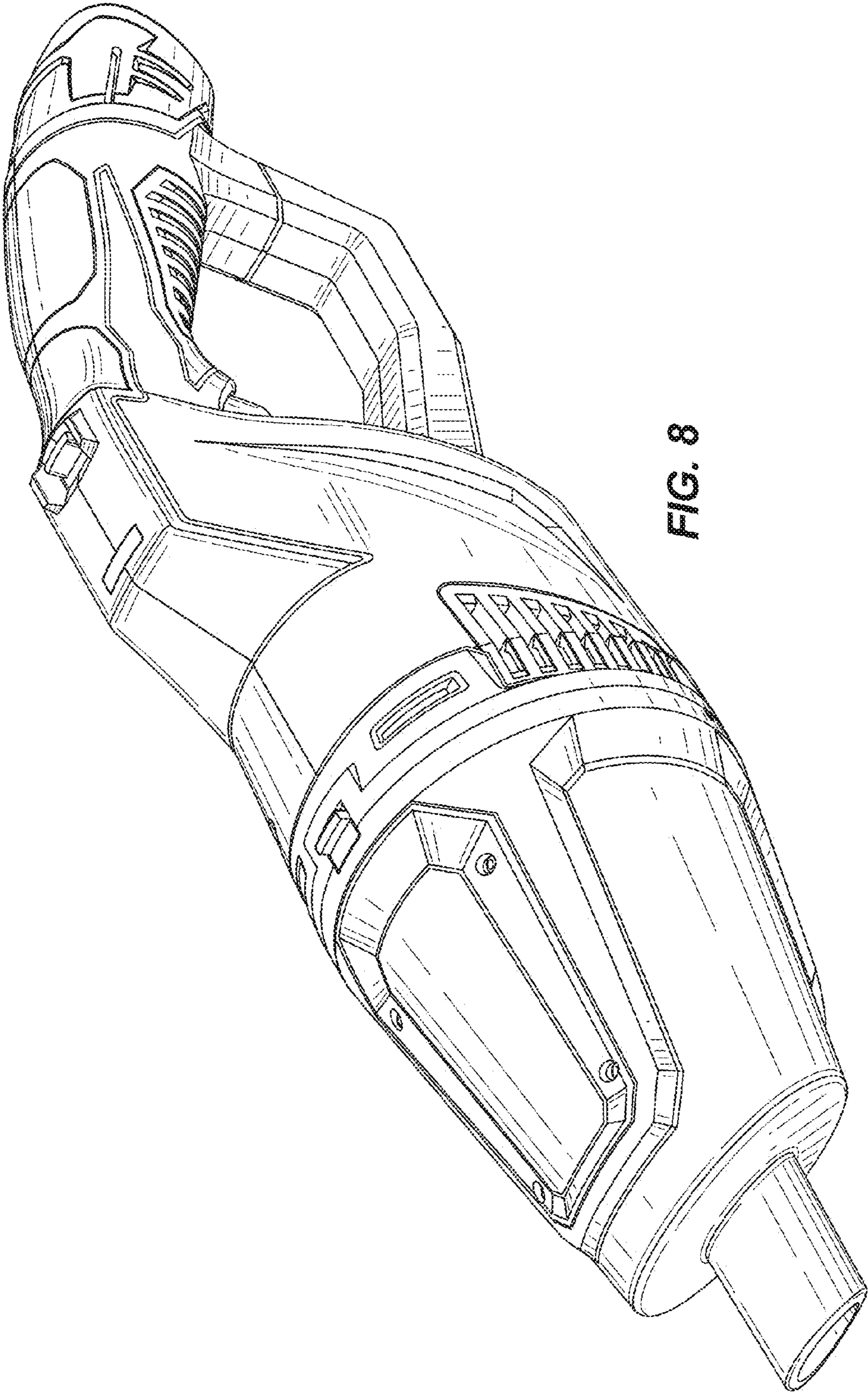


FIG. 8

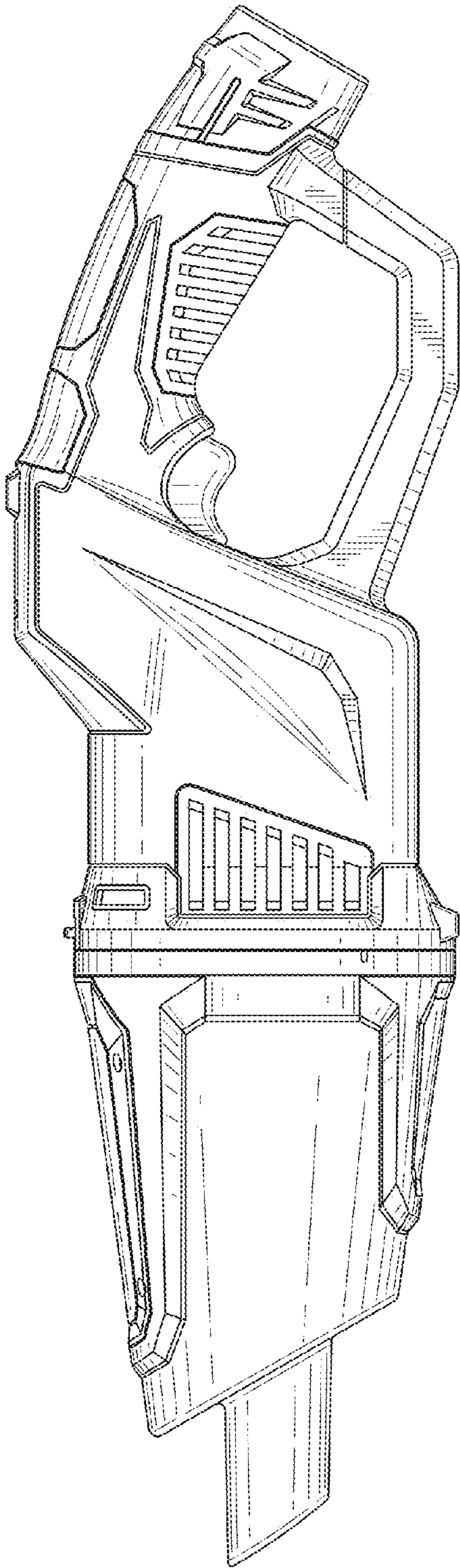


FIG. 9

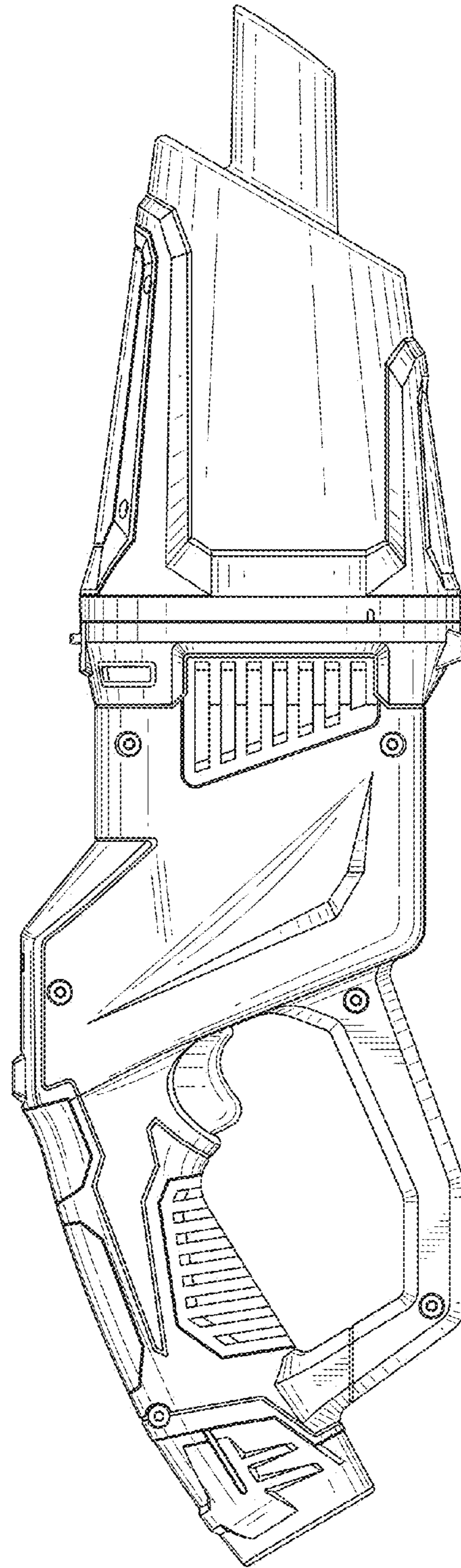


FIG. 10

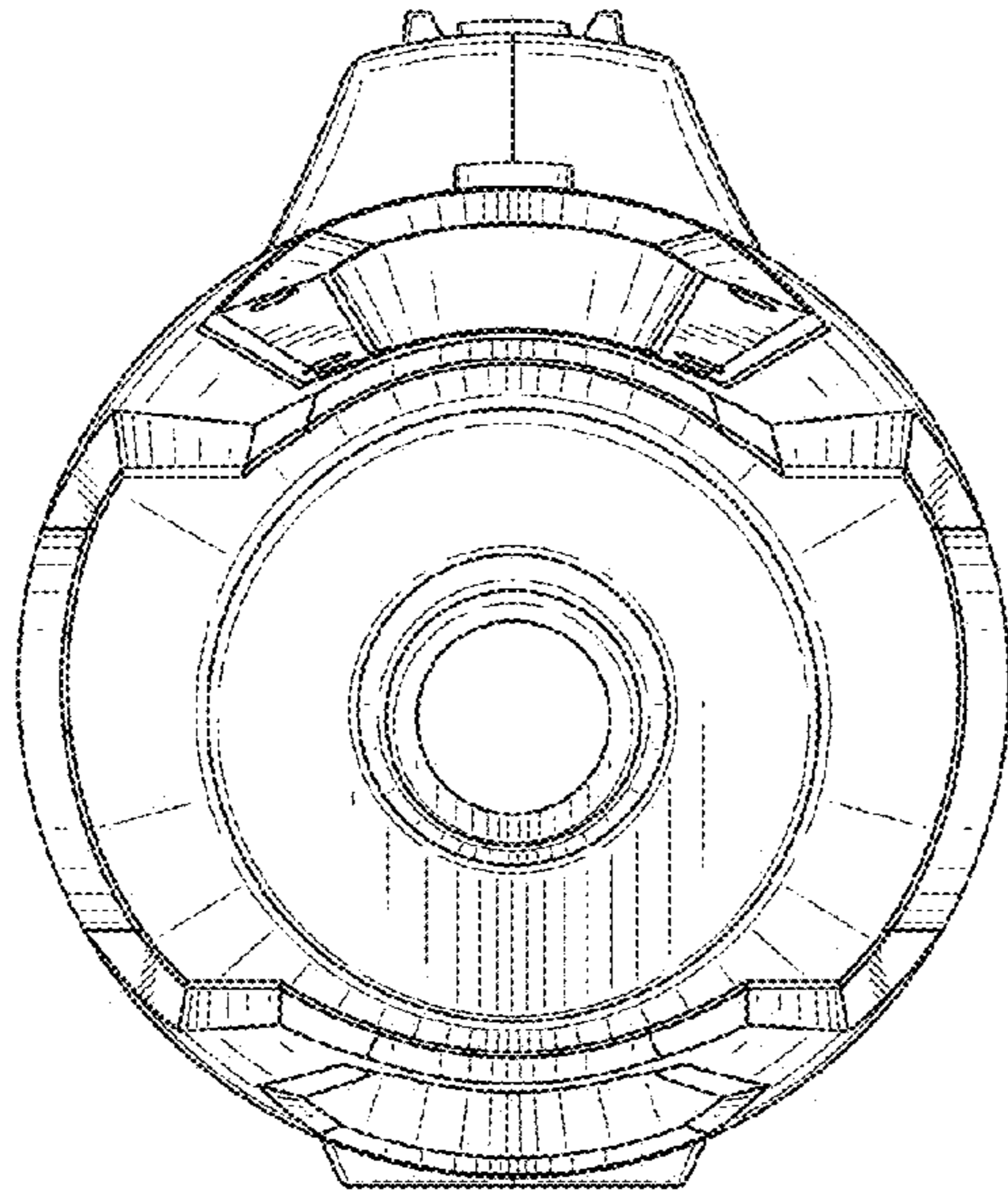


FIG. 11

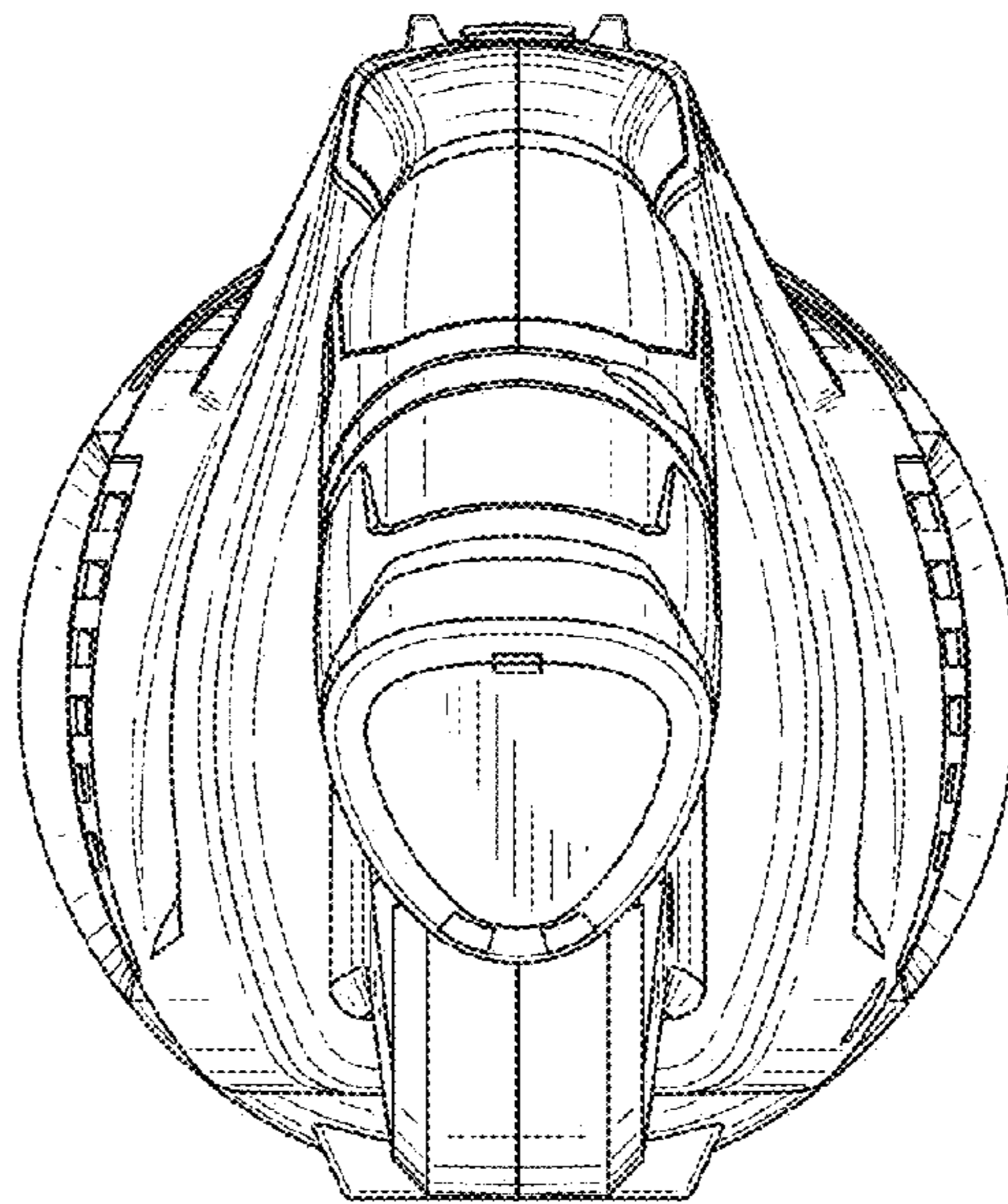


FIG. 12

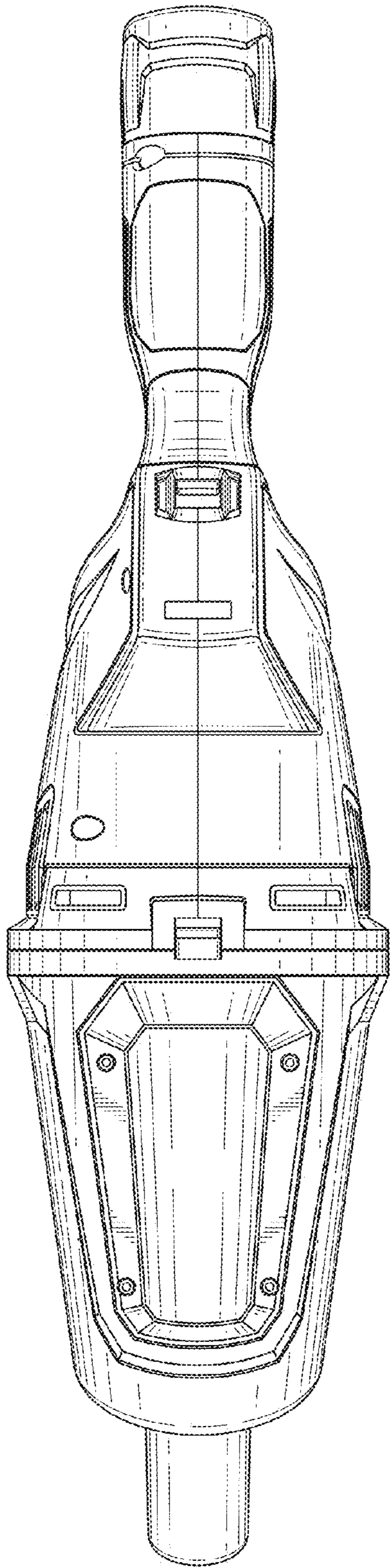


FIG. 13

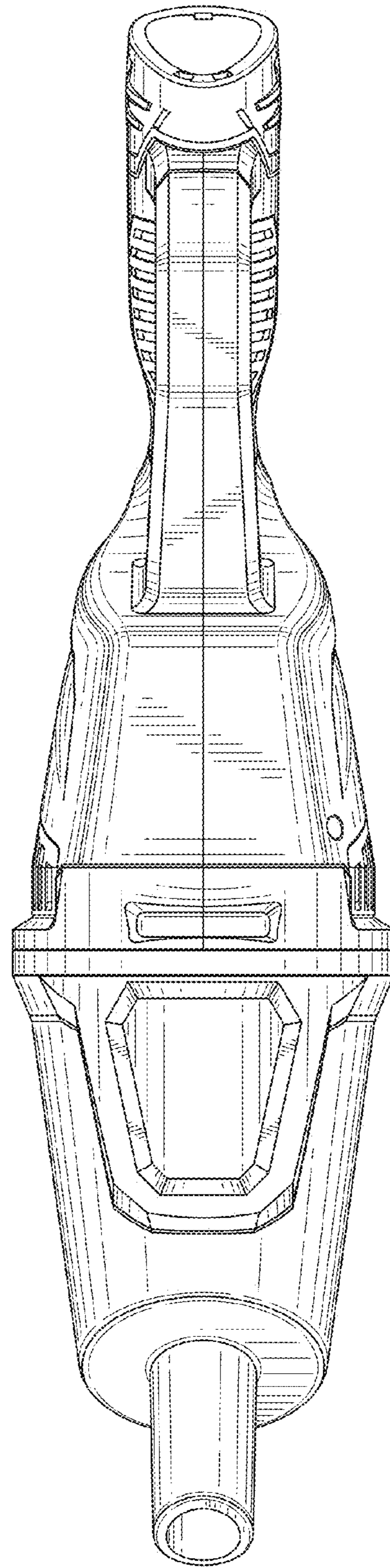


FIG. 14