



US00D740501S

(12) **United States Design Patent**
Taylor et al.

(10) **Patent No.:** **US D740,501 S**
(45) **Date of Patent:** **** Oct. 6, 2015**

- (54) **PRESSURE WASHER**
- (71) Applicant: **Karcher North America, Inc.**,
Englewood, CO (US)
- (72) Inventors: **Shannon L. Taylor**, Vancouver, WA
(US); **Chris Alan Valentine**, Portland,
OR (US); **Joseph Samuel Nicolich**,
Milwaukie, OR (US)
- (73) Assignee: **Kächer North America, Inc.**,
Englewood, CO (US)
- (**) Term: **14 Years**
- (21) Appl. No.: **29/451,607**
- (22) Filed: **Apr. 4, 2013**
- (51) **LOC (10) Cl.** **15-05**
- (52) **U.S. Cl.**
USPC **D32/16**
- (58) **Field of Classification Search**
USPC D32/15-16, 1, 6, 2, 12; 8/931; 68/5 C,
68/13 R, 27-28; 15/320, 213-214, 323;
D15/199; D24/217
CPC A47L 7/0036
See application file for complete search history.

- D212,746 S 11/1968 Fishman
- D212,777 S 11/1968 Anderson
- D221,021 S 6/1971 Jones
- D233,361 S 10/1974 Norden
- D233,545 S 11/1974 Johns
- D236,319 S 8/1975 Jakubuwaski
- D237,035 S 10/1975 Berendes et al.
- D238,299 S 12/1975 Klemm

(Continued)

FOREIGN PATENT DOCUMENTS

- | | | |
|----|---------|---------|
| CA | 70270 | 3/1992 |
| CA | 110563 | 6/2007 |
| GB | 4021427 | 10/2011 |

OTHER PUBLICATIONS

This application product for sale, assignee Karcher brochure, copy-
right 2013, site visited Feb. 23, 2015, [http://www.alklean.com/im-
ages/Hotsy/HO_hot/900_1400_Series_2014.pdf](http://www.alklean.com/images/Hotsy/HO_hot/900_1400_Series_2014.pdf).*

(Continued)

Primary Examiner — John Windmuller
Assistant Examiner — John R Yeh
(74) *Attorney, Agent, or Firm* — Sheridan Ross P.C.

(57) **CLAIM**
The ornamental design for a pressure washer, as shown and
described.

(56) **References Cited**

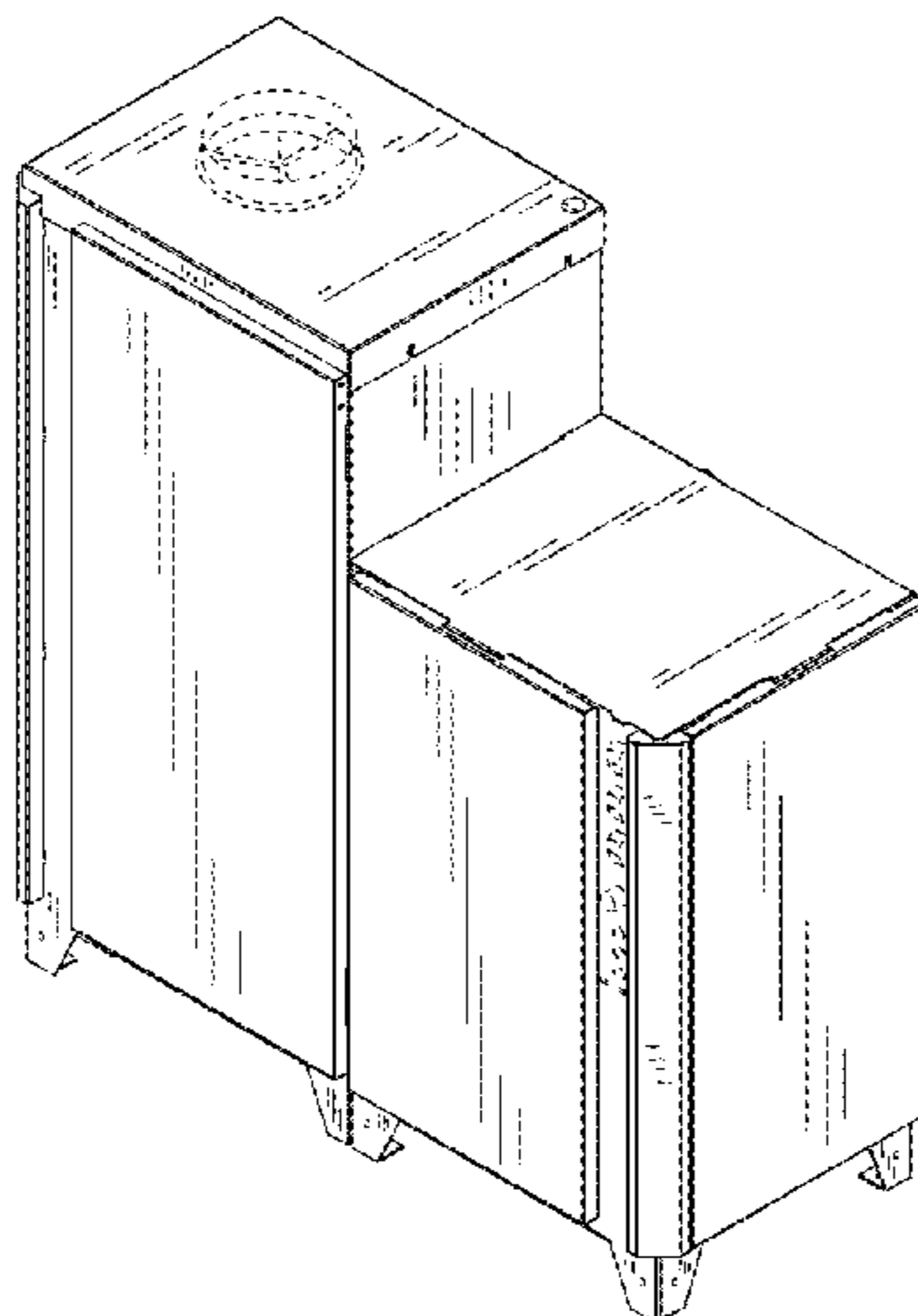
U.S. PATENT DOCUMENTS

- | | | | | |
|-----------|---|-----------|-------------|-----------|
| 1,866,106 | A | 7/1932 | Herlihy | |
| 1,912,864 | A | 6/1933 | Stannard | |
| D117,972 | S | 12/1939 | Failmezger | |
| D156,217 | S | 11/1949 | Currie | |
| D156,267 | S | 11/1949 | Paine | |
| 2,596,074 | A | 5/1952 | Hawes | |
| 2,628,879 | A | * 2/1953 | Schultz | 312/235.5 |
| D195,992 | S | * 8/1963 | Nolte | D32/2 |
| D204,308 | S | * 4/1966 | Lindstrom | D32/6 |
| D208,398 | S | 8/1967 | Otto et al. | |
| D208,903 | S | * 10/1967 | Zadron | D32/4 |

DESCRIPTION

FIG. 1 is a front perspective view of the pressure washer;
FIG. 2 is a front elevation view thereof;
FIG. 3 is a right elevation view thereof;
FIG. 4 is a left elevation view thereof;
FIG. 5 is a rear elevation view thereof; and,
FIG. 6 is a top plan view thereof.
The broken lines in the figures depict portions of the pressure
washer that form no part of the claimed design.

1 Claim, 4 Drawing Sheets



(56)

References Cited

U.S. PATENT DOCUMENTS

3,940,065 A 2/1976 Ware et al.
 D243,574 S 3/1977 Bartlett
 D244,598 S * 6/1977 Nystuen et al. D15/199
 4,073,555 A * 2/1978 Noren 312/229
 D248,090 S 6/1978 Box
 D251,968 S 5/1979 Tucky
 D253,951 S 1/1980 Waters
 D254,549 S * 3/1980 Gentry D32/1
 4,190,919 A * 3/1980 Burford 15/4
 D254,788 S 4/1980 Nauta
 D255,357 S 6/1980 Brooks et al.
 D256,078 S 7/1980 Croyle et al.
 D261,423 S * 10/1981 Geissler D24/217
 D270,181 S * 8/1983 Haas D24/158
 D274,851 S 7/1984 Schmitz
 D279,977 S * 8/1985 Bonazelli D13/116
 D281,632 S 12/1985 Yang
 D283,066 S 3/1986 Maier
 D287,171 S 12/1986 Berfield et al.
 D287,655 S * 1/1987 Schmitz D32/15
 D288,017 S 1/1987 Linton
 D288,433 S * 2/1987 Picchietti, Sr. D32/6
 D297,578 S 9/1988 Brightbill et al.
 D301,779 S * 6/1989 Giles et al. D32/1
 D306,223 S 2/1990 Muirhead et al.
 D306,785 S 3/1990 Soto
 D314,648 S 2/1991 Linton
 D321,644 S 11/1991 Katada et al.
 D341,008 S 11/1993 Berfield et al.
 D341,450 S 11/1993 Tinius
 5,299,767 A 4/1994 Simpson
 D354,753 S 1/1995 Turner et al.
 D357,056 S 4/1995 Linton et al.
 D357,728 S 4/1995 Carano
 D360,790 S 8/1995 Landis et al.
 D374,316 S 10/1996 Niemela et al.
 D375,590 S 11/1996 Steinhart et al.
 D381,393 S 7/1997 Carano
 D392,158 S 3/1998 Maddux
 D393,128 S 3/1998 Maddux
 D406,417 S 3/1999 Linton et al.
 D444,279 S 6/2001 Kristiansen et al.
 6,279,838 B1 8/2001 Sivells et al.
 D480,629 S 10/2003 Cabrera
 D482,828 S * 11/2003 Storer et al. D32/22
 D524,007 S 6/2006 Palmer
 D525,000 S 7/2006 Williams et al.
 D529,670 S 10/2006 Hendy

D533,321 S 12/2006 Peng
 7,293,785 B2 11/2007 Bush et al.
 7,316,286 B2 1/2008 Hillary
 D570,058 S 5/2008 Watson et al.
 D572,059 S 7/2008 Richardson et al.
 D572,212 S 7/2008 Taylor et al.
 D575,911 S 8/2008 Greenidge et al.
 D581,058 S * 11/2008 Elkerbout D24/217
 7,562,897 B1 7/2009 Sherman et al.
 D608,070 S 1/2010 Brown et al.
 D615,257 S * 5/2010 Helm D32/1
 7,871,090 B2 1/2011 Staub
 D642,317 S 7/2011 Rashidi
 2004/0118742 A1 6/2004 Shuert
 2006/0119060 A1 6/2006 Sullivan et al.

OTHER PUBLICATIONS

Hotsy 5700/5800 Series Hot Water Pressure Washers, wayback date Dec. 7, 2011, site visited Feb. 23, 2015, <http://web.archive.org/web/20111207011001/http://hotsy.com/ViewCategories.aspx?Cid=556>.
 Landa pressure washer brochure copyright 2008, site visited Feb. 23, 2015, <http://www.socleaningproducts.com/docs/Products-Sheet/Landa/VNGSeries.pdf>.
 U.S. Appl. No. 29/451,608, filed Apr. 4, 2013, Taylor et al.
 U.S. Appl. No. 29/4453,792, filed May 2, 2013, Linton et al.
 "Hot Box Series," Power Washers Unlimited, Oct. 2007, 1 page [retrieved from: http://propowerwashers.com/hot_box.html].
 "The NorthStar Wet Steam and Hot Water 30000psi Pressure Washer," Pressure Washer Reviews, Mar. 24, 2011, 1 page [retrieved from: www.pressurewasher-steamcleaner.com/honda-pressure-washer.html].
 "Hotsy 1700 series Hotsy cold water pressure washers are Electric powered, and can be mounted on a wall or a stand." Hotsy Pacific, Apr. 4, 2008, 1 page [retrieved from <http://www.hotsypacific.net/1700-Series.aspx>].
 "Pressure Washer—CW Series," Hydro Tek Systems, Mar. 26, 2012, 1 page [retrieved from: www.hydrotec.us/series-cnew.htm].
 "Portable Pressure Washers offer high temperature cleaning." Thomasnet.com, Mar. 25, 2011, 1 page [retrieved from: <http://news.thomasnet.com/fullstory/portable-pressure-washers-offer-high-temperature-cleaning-593751>].
 Notice of Allowance for U.S. Appl. No. 29/451,608, mailed Jan. 7, 2015 13 pages.
 Notice of Allowance for U.S. Appl. No. 29/453,792, mailed Apr. 1, 2015 7 pages.

* cited by examiner

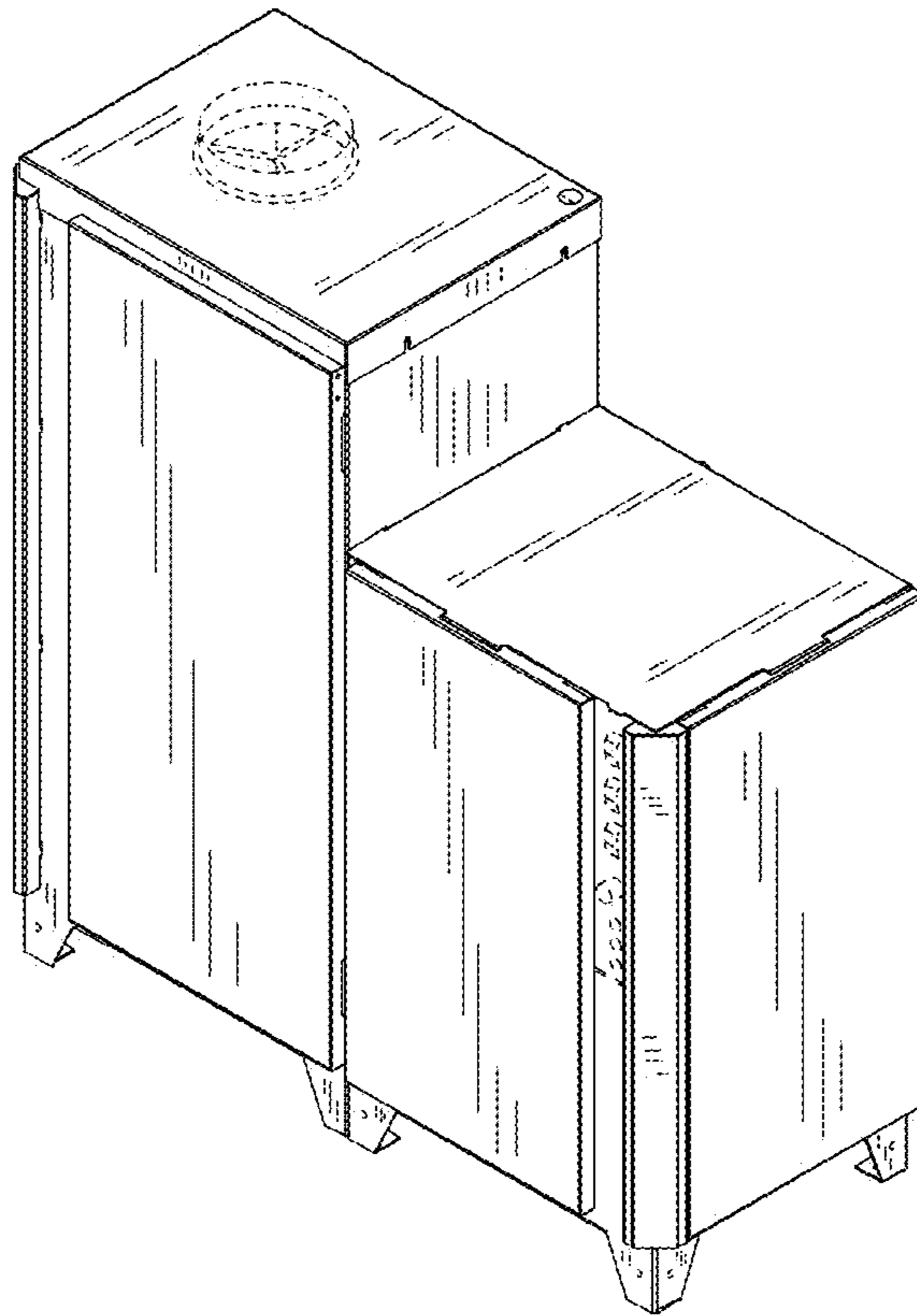


FIG.1

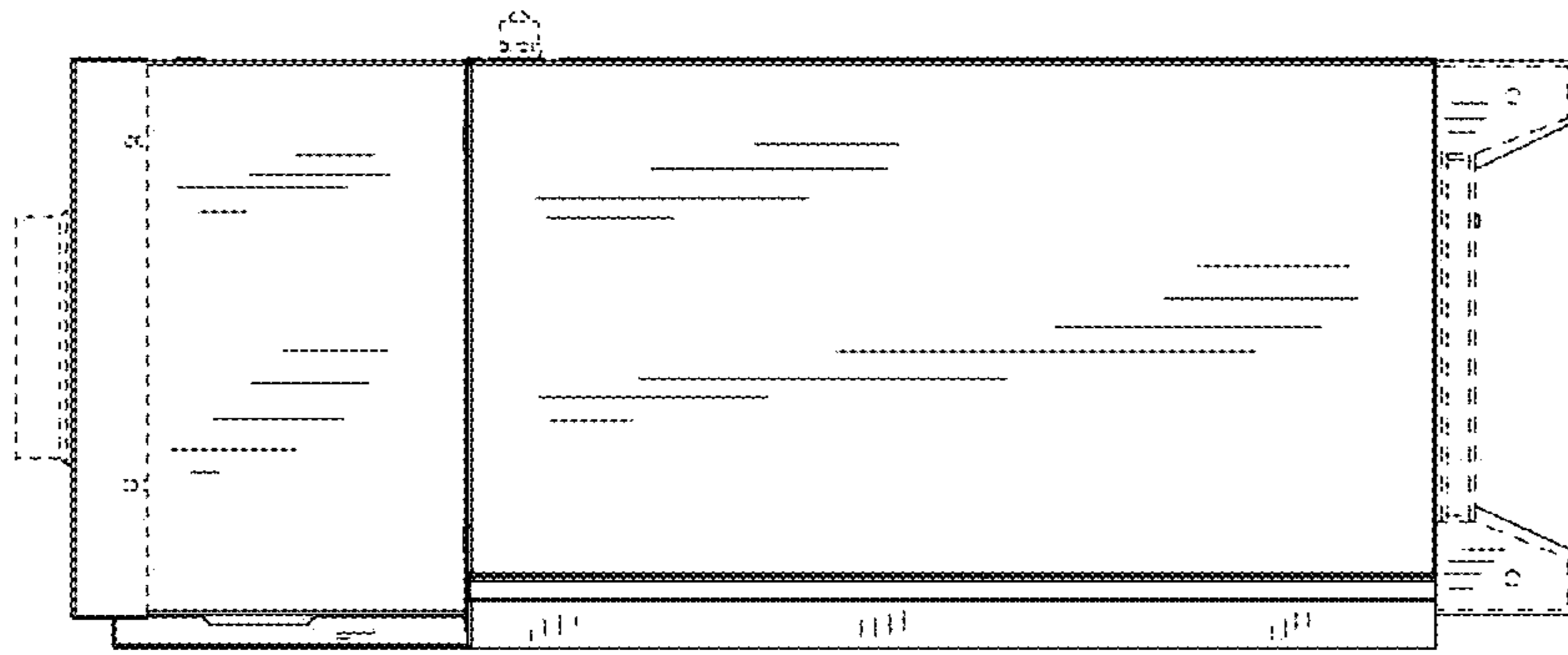


FIG.3



FIG.2

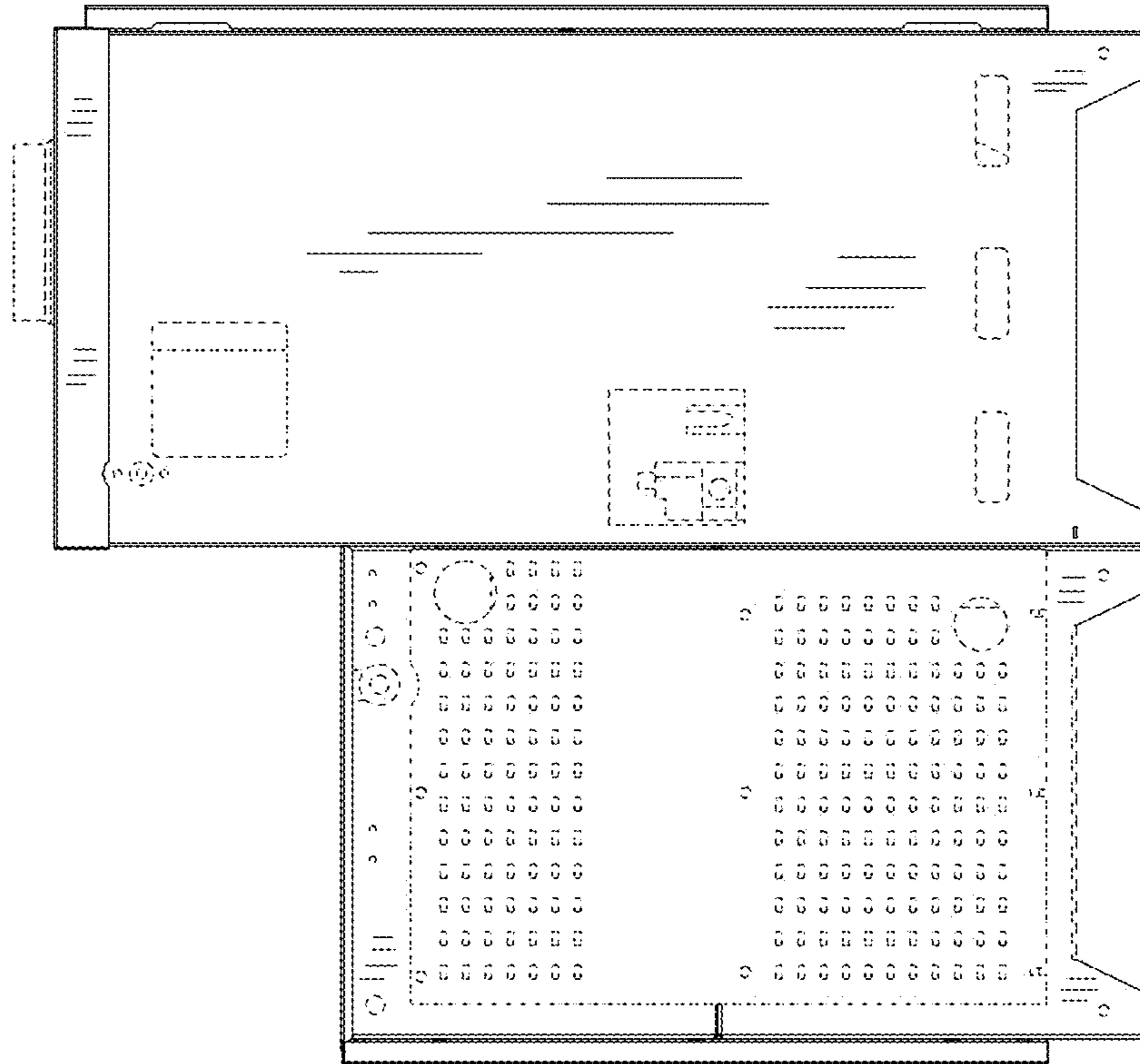


FIG.4

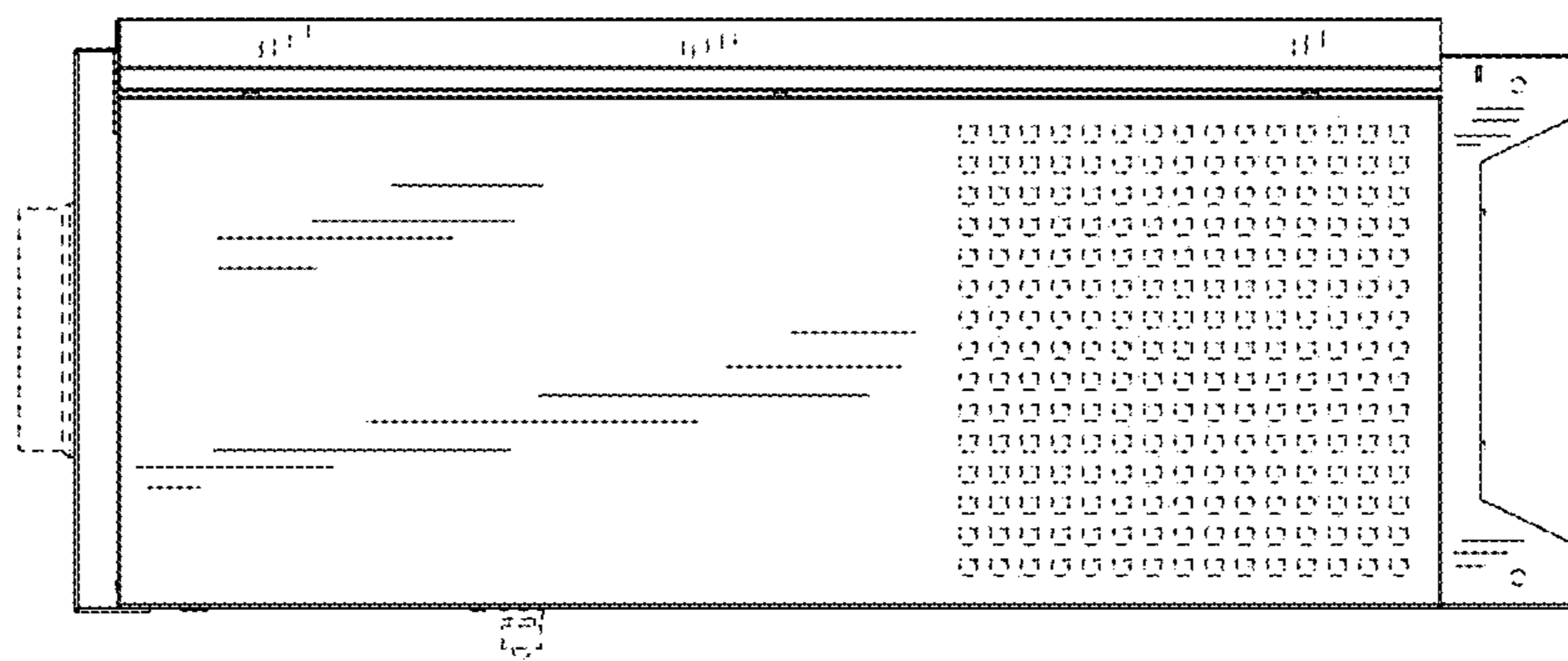


FIG.5

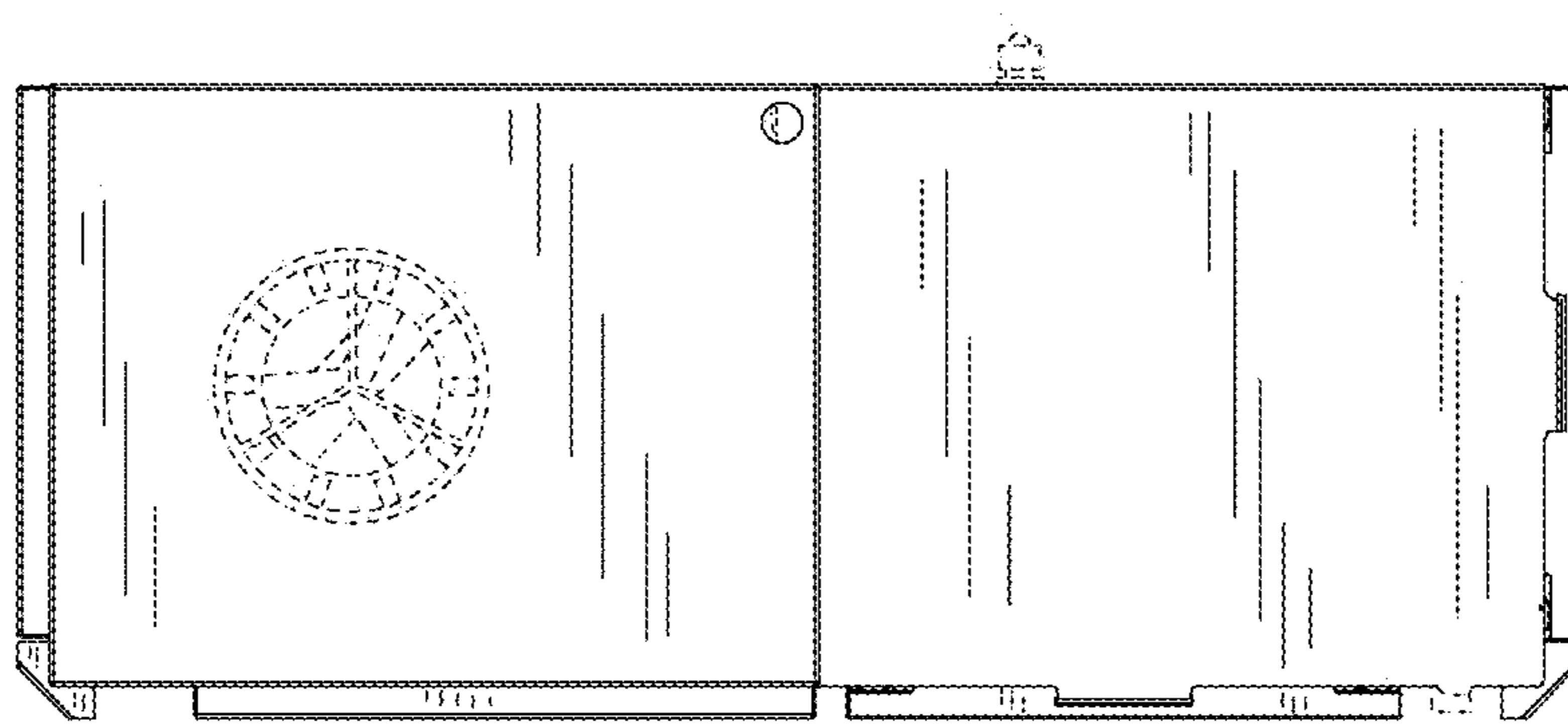


FIG.6