



US00D740496S

(12) **United States Design Patent**
Noordzij et al.

(10) **Patent No.:** **US D740,496 S**
(45) **Date of Patent:** **** Oct. 6, 2015**

- (54) **MANDIBLE SHIELD**
- (71) Applicant: **Artisent, LLC**, Simpson, PA (US)
- (72) Inventors: **Duco W. Noordzij**, Roslindale, MA (US); **Kyle L. Lamson**, Chelmsford, MA (US); **David C. Rogers**, Boston, MA (US)
- (73) Assignee: **ARTISENT, LLC**, Simpson, PA (US)
- (**) Term: **14 Years**
- (21) Appl. No.: **29/495,126**
- (22) Filed: **Jun. 27, 2014**

Related U.S. Application Data

- (63) Continuation of application No. 29/479,255, filed on Jan. 14, 2014, now Pat. No. Des. 711,051.
- (51) **LOC (10) Cl.** **29-02**
- (52) **U.S. Cl.**
USPC **D29/122**
- (58) **Field of Classification Search**
USPC D29/100, 102, 106, 108, 110, 122;
D2/865, 880, 881; 2/455, 456, 410, 7,
2/8.2, 424, 425, 9, 468, 171, 205, 206;
128/201.23, 857
See application file for complete search history.

References Cited

U.S. PATENT DOCUMENTS

2,867,811 A	1/1959	Jones	
3,118,443 A	1/1964	Dykinga	
3,216,023 A	11/1965	Morgan	
D204,731 S	5/1966	Dunning	
3,478,365 A *	11/1969	Tibor	2/424
D229,127 S *	11/1973	Franklin	D29/108
3,886,596 A	6/1975	Franklin et al.	
D243,127 S	1/1977	Farquharson	
D243,128 S	1/1977	Morgan	
4,042,974 A	8/1977	Morgan et al.	

D246,012 S	10/1977	Minette
5,384,914 A	1/1995	Caveness et al.
6,289,521 B1	9/2001	Ikeda
D471,675 S	3/2003	Ikeda
D526,746 S	8/2006	Wong
D535,061 S	1/2007	Evans et al.
D548,893 S	8/2007	Hedge et al.
D556,386 S	11/2007	Lee

(Continued)

OTHER PUBLICATIONS

OPS-CORE 2012 Product Catalog; www.ops-core.com; Boston, MA, US; 44 pages; disclosed on or before Dec. 31, 2012.

(Continued)

Primary Examiner — Elizabeth J Oswecki

(74) *Attorney, Agent, or Firm* — Morgan, Lewis & Bockius LLP

(57) **CLAIM**

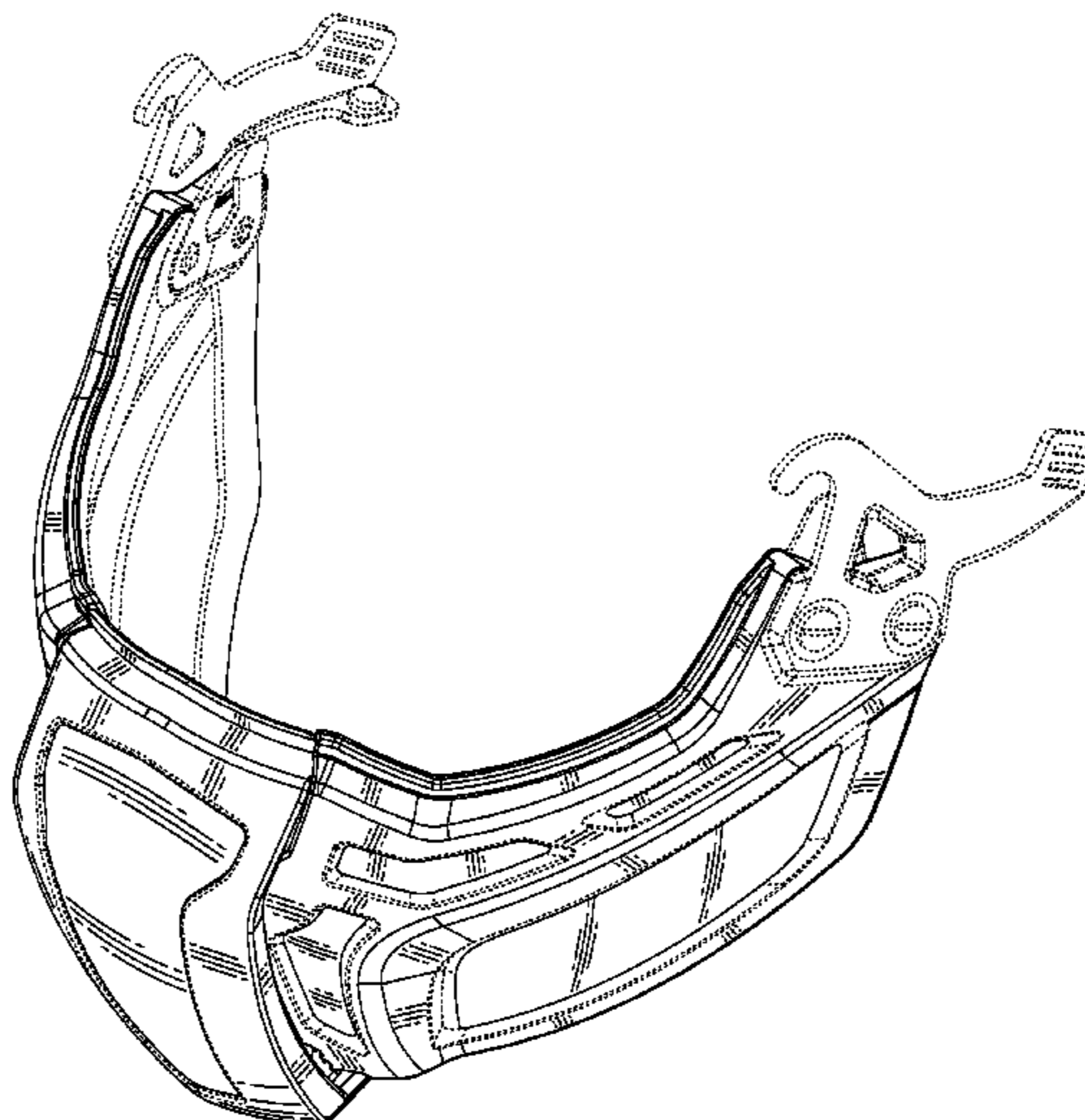
The ornamental design for a mandible shield, as shown and described.

DESCRIPTION

FIG. 1 is a front perspective view of a mandible shield showing our new design;
 FIG. 2 is a front elevational view of the mandible shield shown in FIG. 1;
 FIG. 3 is a rear elevational view of the mandible shield shown in FIG. 1;
 FIG. 4 is a left-side elevational view of the mandible shield shown in FIG. 1;
 FIG. 5 is a right-side elevational view of the mandible shield shown in FIG. 1;
 FIG. 6 is a bottom plan view of the mandible shield shown in FIG. 1; and,
 FIG. 7 is a top plan view of the mandible shield shown in FIG. 1.

The broken lines shown in the drawings represent portions of the mandible shield that form no part of the claimed design.

1 Claim, 7 Drawing Sheets



(56)

References Cited

U.S. PATENT DOCUMENTS

D560,315 S * 1/2008 Wong D29/122
D632,439 S 2/2011 Lebel et al.
D632,440 S 2/2011 Lebel et al.
D638,168 S * 5/2011 Lebel et al. D29/107
D638,172 S 5/2011 Lebel et al.
D657,497 S * 4/2012 Schiebl D29/108
D672,683 S 12/2012 Klotz et al.
D674,560 S 1/2013 Klotz et al.
D701,002 S 3/2014 Lebel et al.
D703,874 S * 4/2014 Lebel D29/122

D711,051 S * 8/2014 Noordzij et al. D29/122
D715,005 S * 10/2014 Schiebl D29/122
2007/0124842 A1* 6/2007 Nascimento et al. 2/9
2007/0250993 A1* 11/2007 Schimpf 2/424
2009/0107514 A1* 4/2009 Winningham 128/857
2009/0144872 A1* 6/2009 Lebel et al. 2/6.7
2012/0204331 A1 8/2012 Lebel et al.

OTHER PUBLICATIONS

OPS-CORE 2013 Product Catalog; www.ops-core.com; Boston, Ma,
US; 44 pages; first disclosed on Jan. 14, 2013.

* cited by examiner

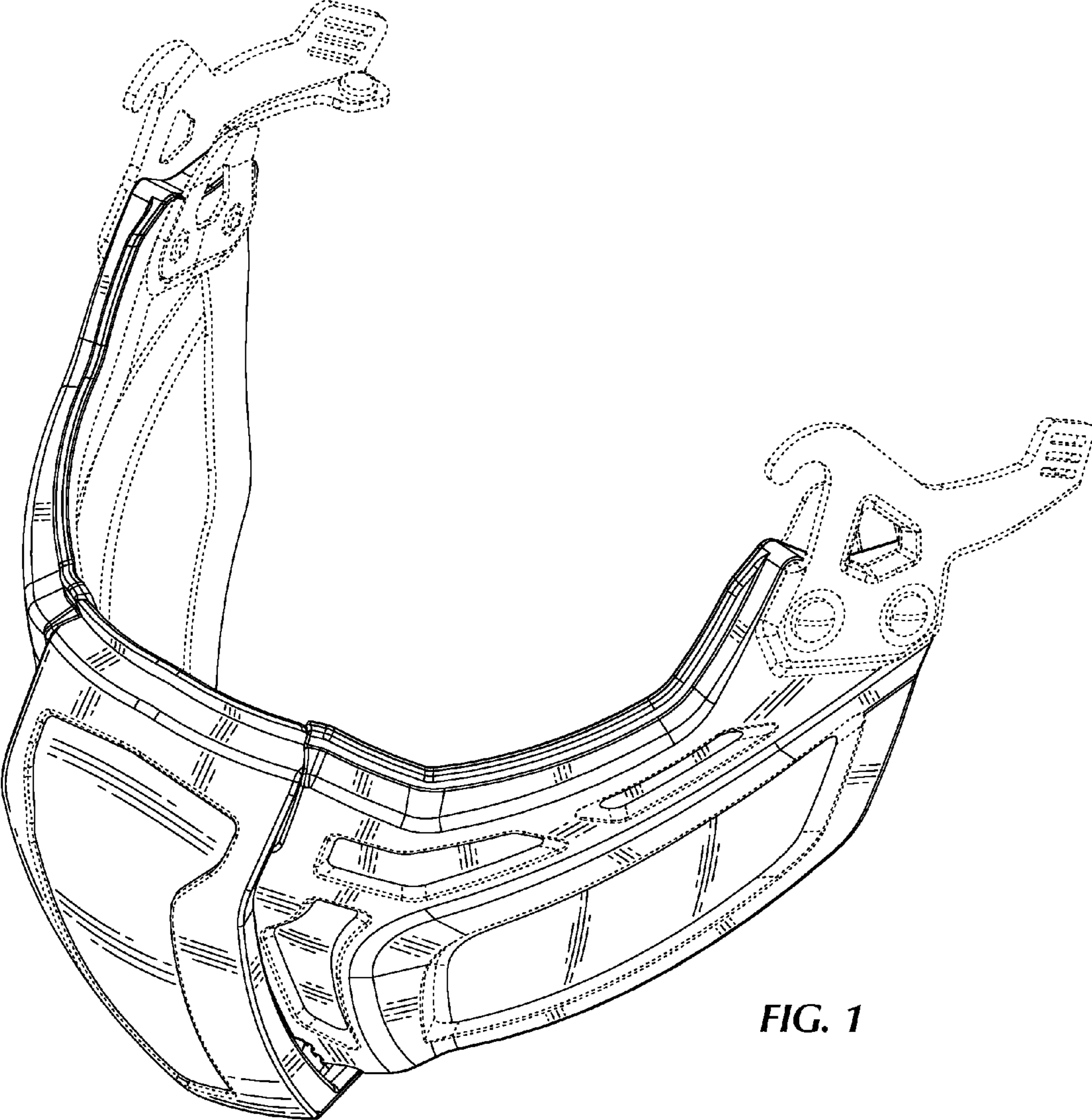


FIG. 1

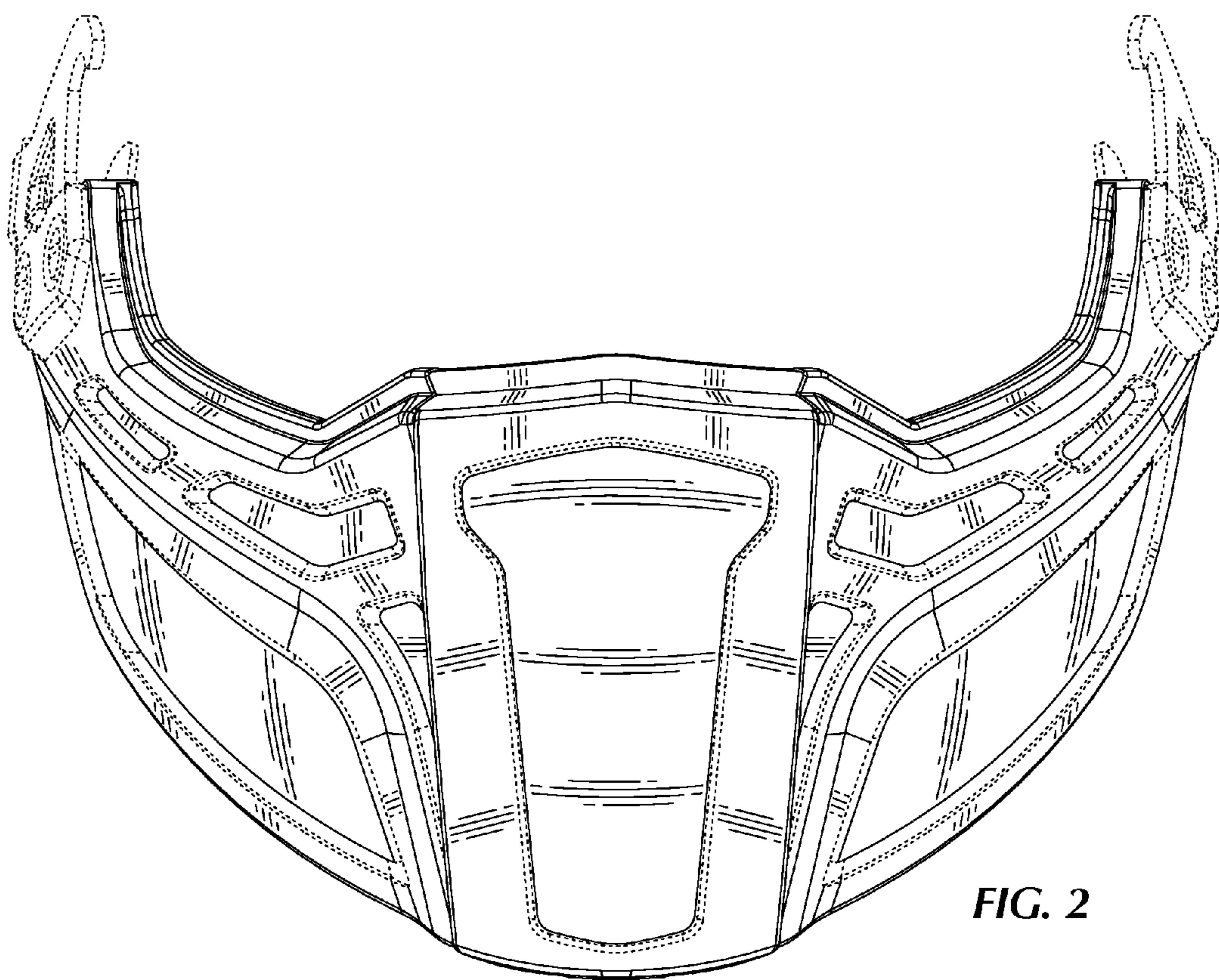


FIG. 2

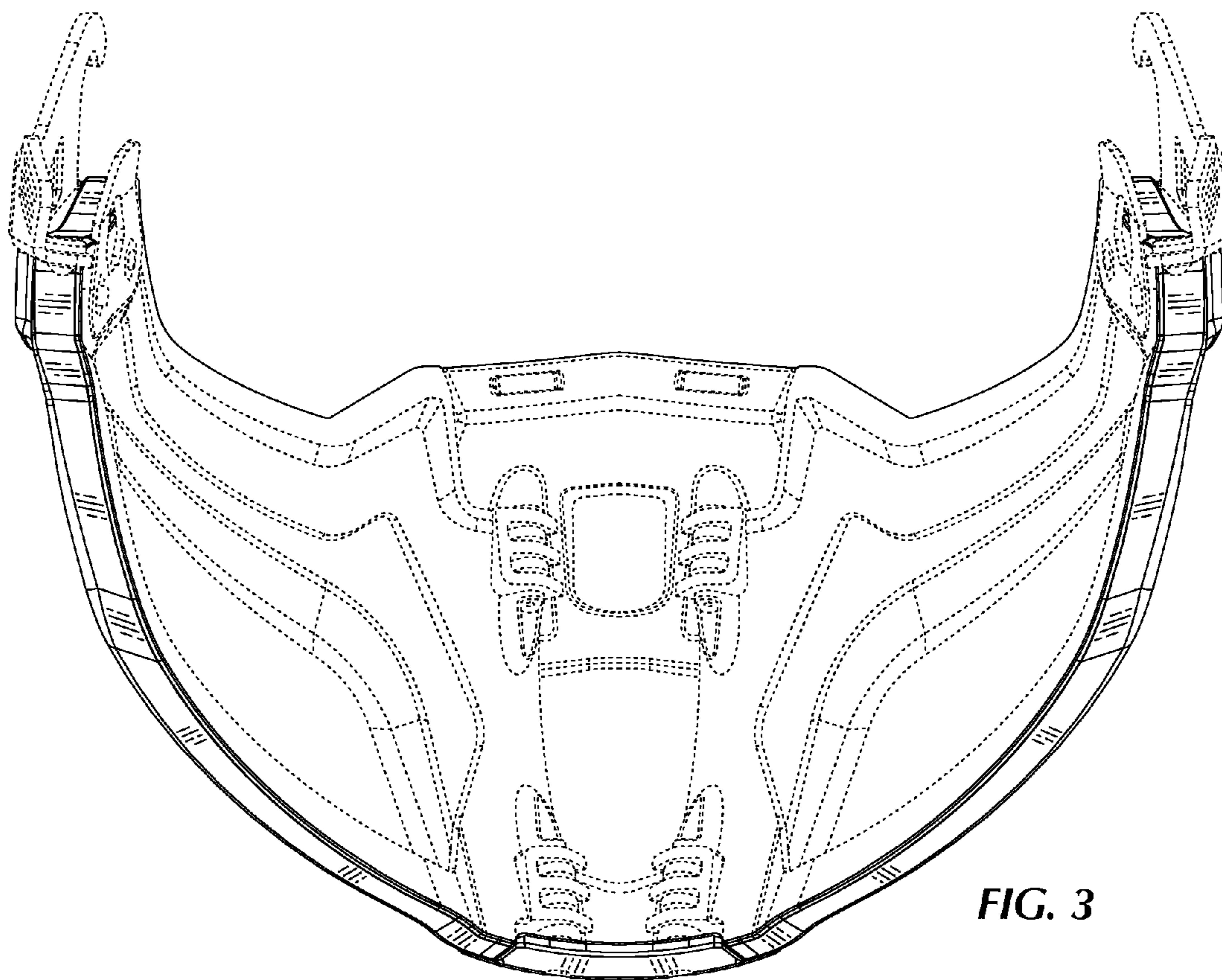


FIG. 3

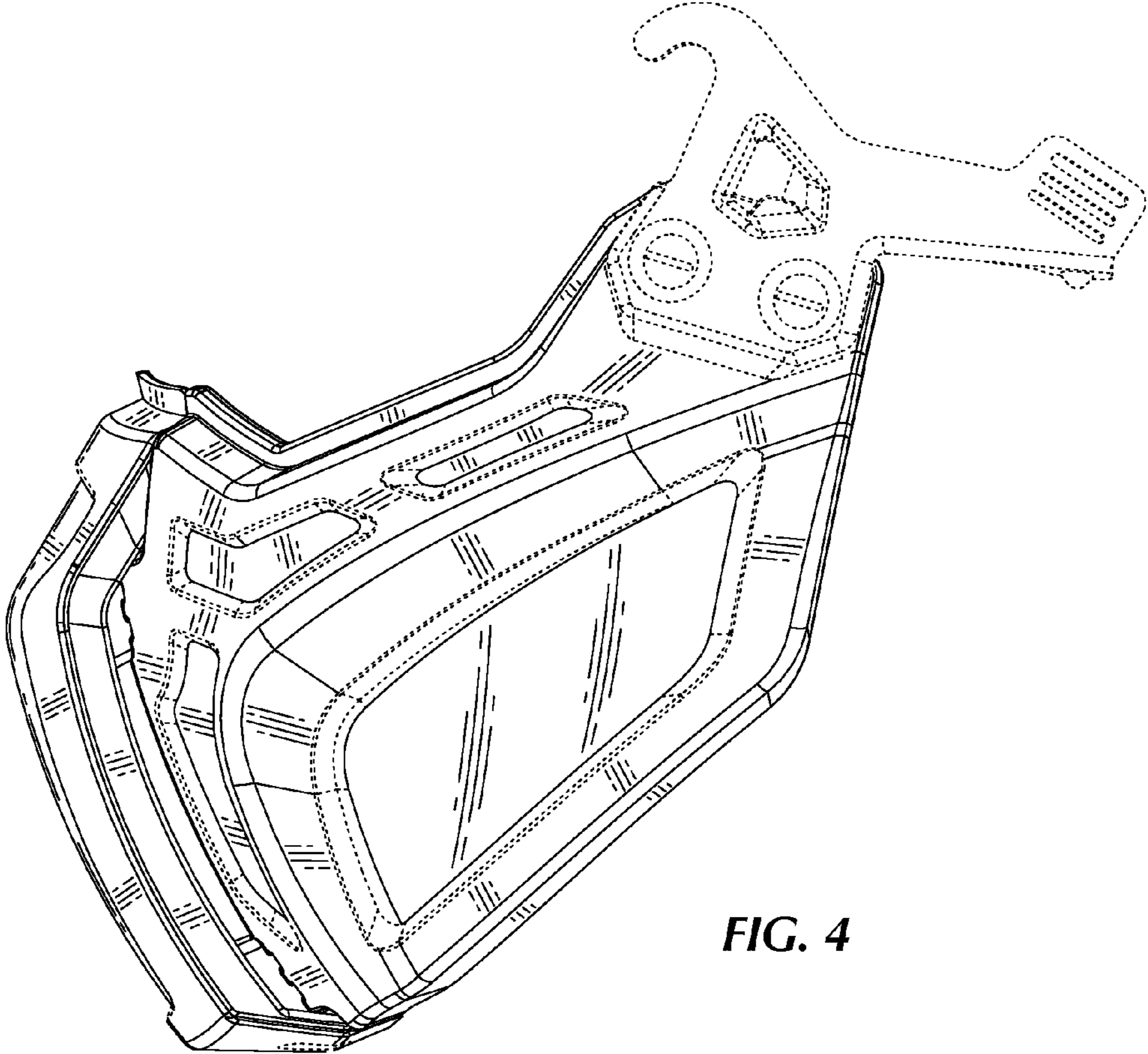


FIG. 4

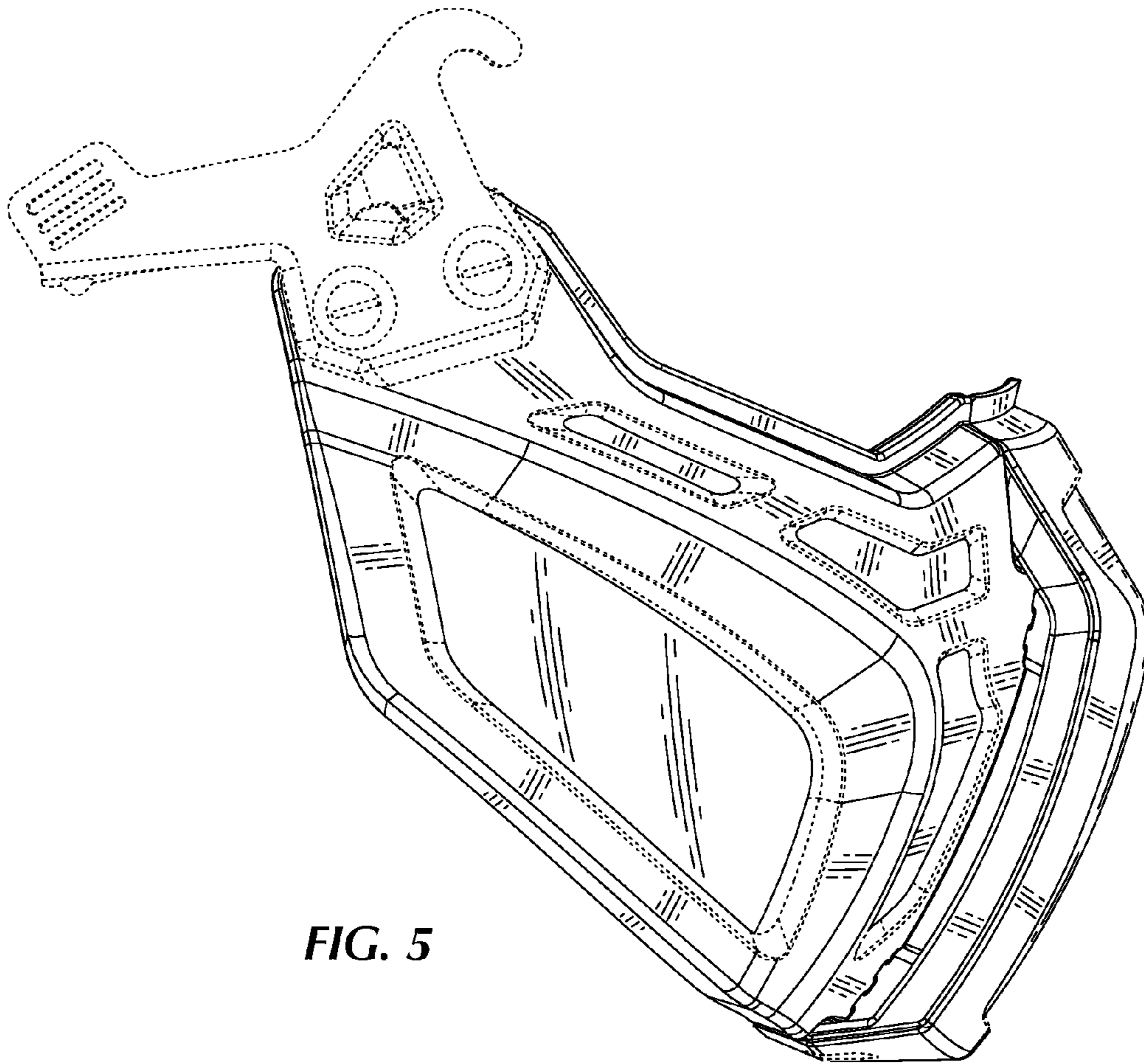


FIG. 5

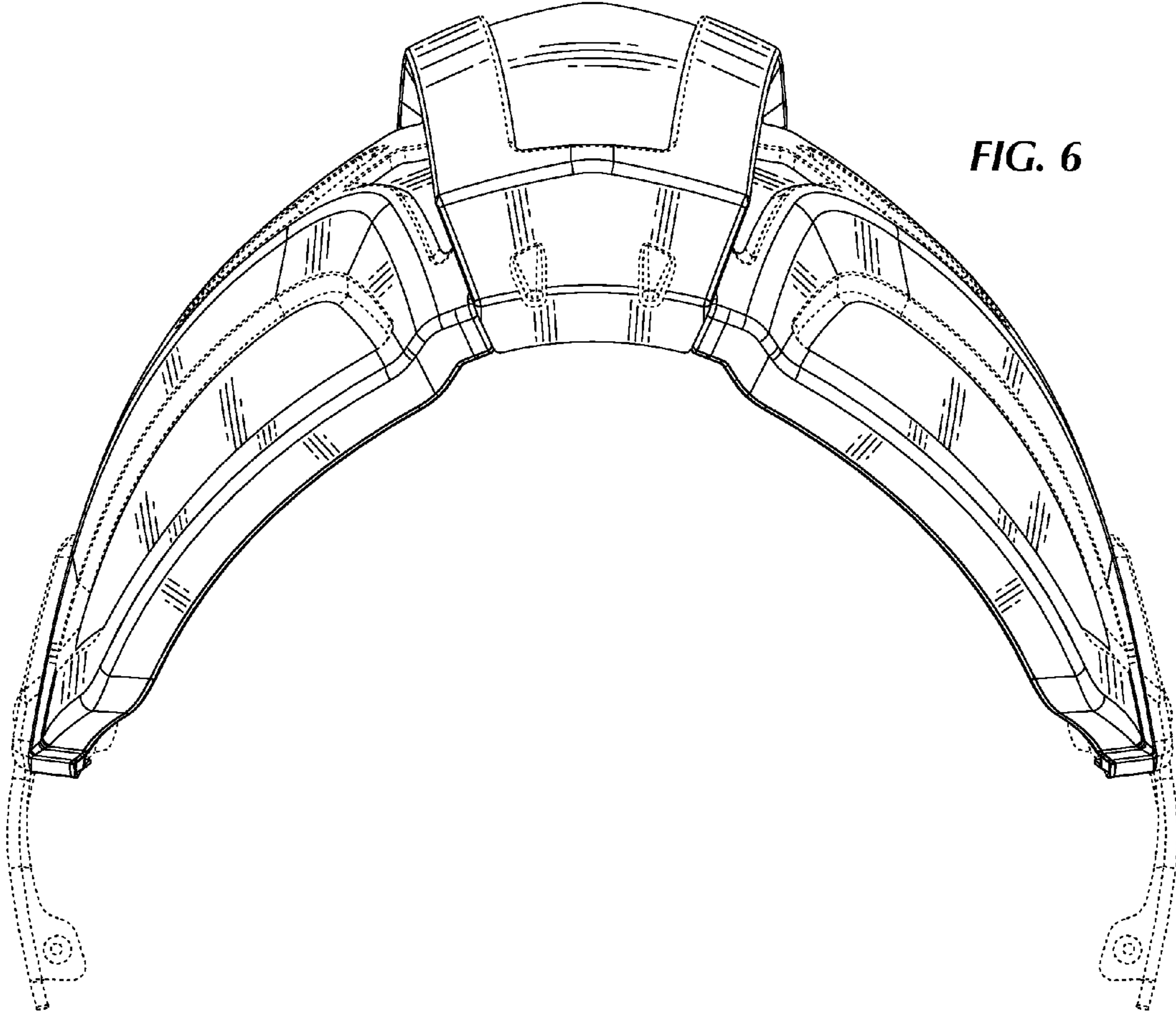


FIG. 6

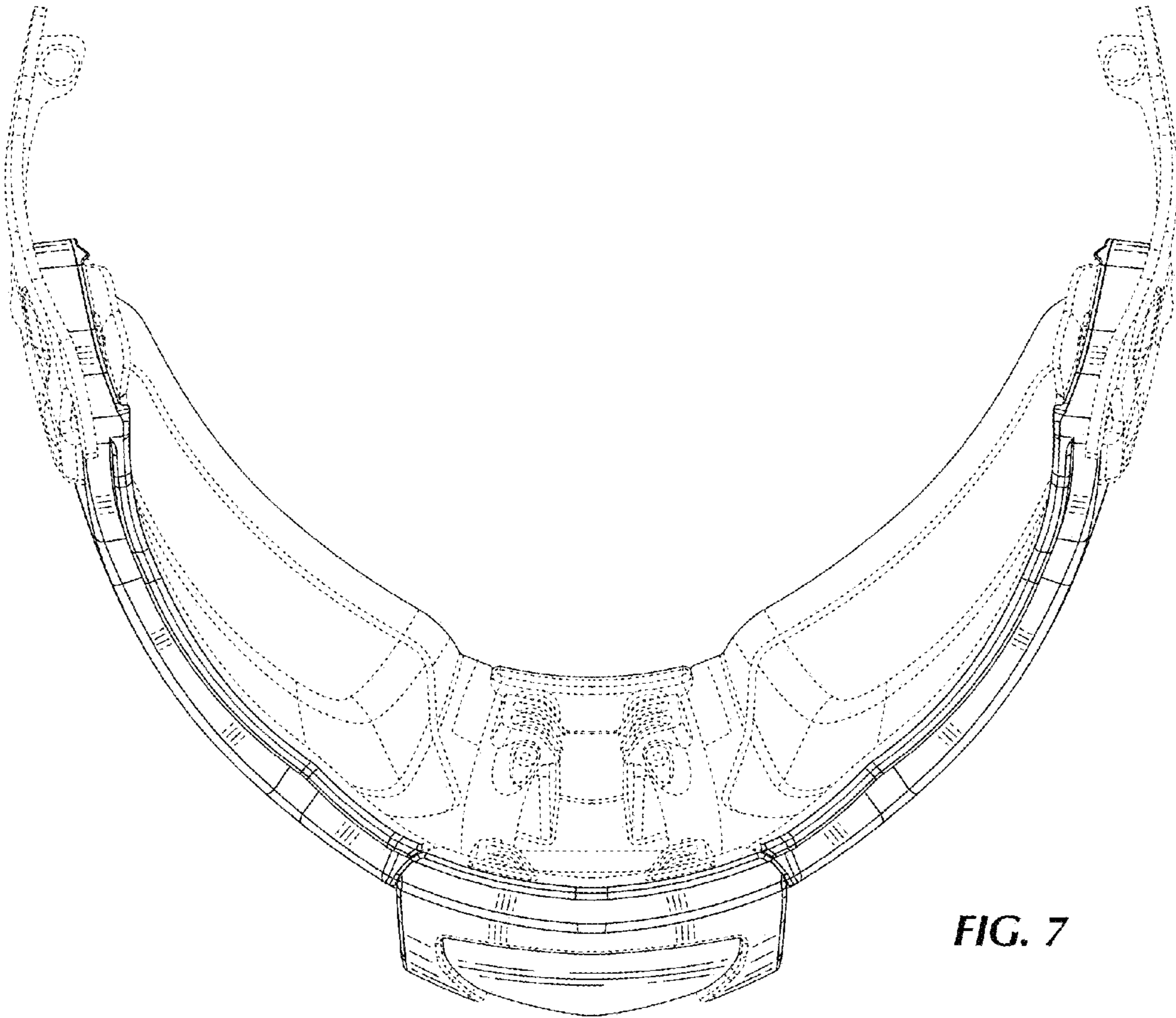


FIG. 7