



US00D740493S

(12) **United States Design Patent**
David

(10) **Patent No.:** **US D740,493 S**
(45) **Date of Patent:** **** Oct. 6, 2015**

- (54) **DOME FOR LIP GLOSS HOLDER**
- (71) Applicant: **Flickable, LLC**, Briarcliff Manor, NY (US)
- (72) Inventor: **Kevin David**, Ossining, NY (US)
- (73) Assignee: **Flickable LLC**, Briarcliff Manor, NY (US)
- (**) Term: **14 Years**
- (21) Appl. No.: **29/501,093**
- (22) Filed: **Sep. 1, 2014**

Primary Examiner — Jennifer Rivard
(74) *Attorney, Agent, or Firm* — Feldman Gale, P.A.; Rafael Perez-Pineiro; A. Robert Weaver

(57) **CLAIM**
The ornamental design for a dome for lip gloss holder, as shown and described.

DESCRIPTION

- Related U.S. Application Data**
- (63) Continuation of application No. 29/437,721, filed on Nov. 20, 2012, now Pat. No. Des. 712,595.
- (51) **LOC (10) Cl.** **28-03**
- (52) **U.S. Cl.**
USPC **D28/89**; D28/90
- (58) **Field of Classification Search**
USPC D28/76, 85-90, 77; 132/317, 320, 318; 206/581, 823, 385
CPC A45D 34/06; A45D 34/042-34/048; A45D 40/265; A45D 40/267; A45D 2040/0012; A45D 2200/1009; A45D 2200/1018; A45D 2200/1036; A45D 34/00
See application file for complete search history.

FIG. 1 is a front bottom perspective view of a dome for lip gloss holder according to the present invention in an open position;

FIG. 2 is an exploded front top perspective view of the dome for lip gloss holder of FIG. 1 with a first portion of the dome separated from a second portion of the dome for lip gloss holder;

FIG. 3 is bottom view of the first portion of the dome for lip gloss holder of FIG. 1;

FIG. 4 is a side view of the first portion of the dome for lip gloss holder of FIG. 1;

FIG. 5 is a top view of the first portion of the dome for lip gloss holder of FIG. 1;

FIG. 6 is a front top perspective view of the first portion of the dome for lip gloss holder of FIG. 1;

FIG. 7 is a front bottom perspective view of the first portion of the dome for lip gloss holder of FIG. 1;

FIG. 8 is a top view of the second portion of the dome for lip gloss holder of FIG. 1;

FIG. 9 is a side view of the second portion of the dome for lip gloss holder of FIG. 1;

FIG. 10 is a bottom view of the second portion of the dome for lip gloss holder of FIG. 1;

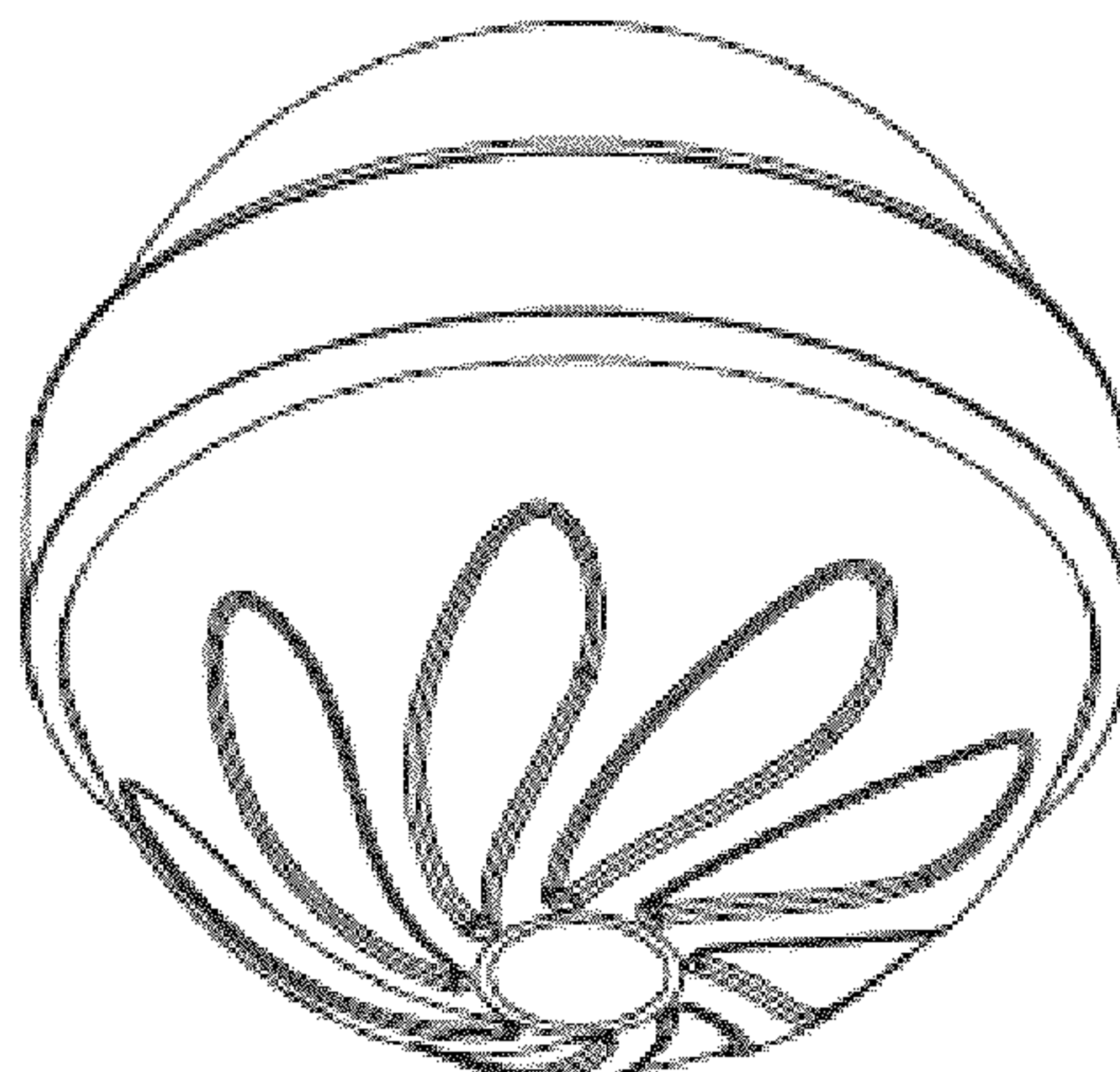
FIG. 11 is a front top perspective view of the second portion of the dome for lip gloss holder of FIG. 1; and,

FIG. 12 is a front bottom perspective view of the second portion of the dome for lip gloss holder of FIG. 1.

- (56) **References Cited**
- U.S. PATENT DOCUMENTS
- D403,469 S * 12/1998 Driscoll D28/76
- 5,927,289 A * 7/1999 Joulia 132/73
- D459,551 S * 6/2002 Hahn et al. D28/77
- D536,177 S * 2/2007 Arnaud et al. D28/91
- 2002/0159820 A1 * 10/2002 Louis et al. 401/126
- 2005/0126584 A1 * 6/2005 Hsu 132/218
- 2006/0045605 A1 * 3/2006 Deans et al. 401/126

* cited by examiner

1 Claim, 3 Drawing Sheets



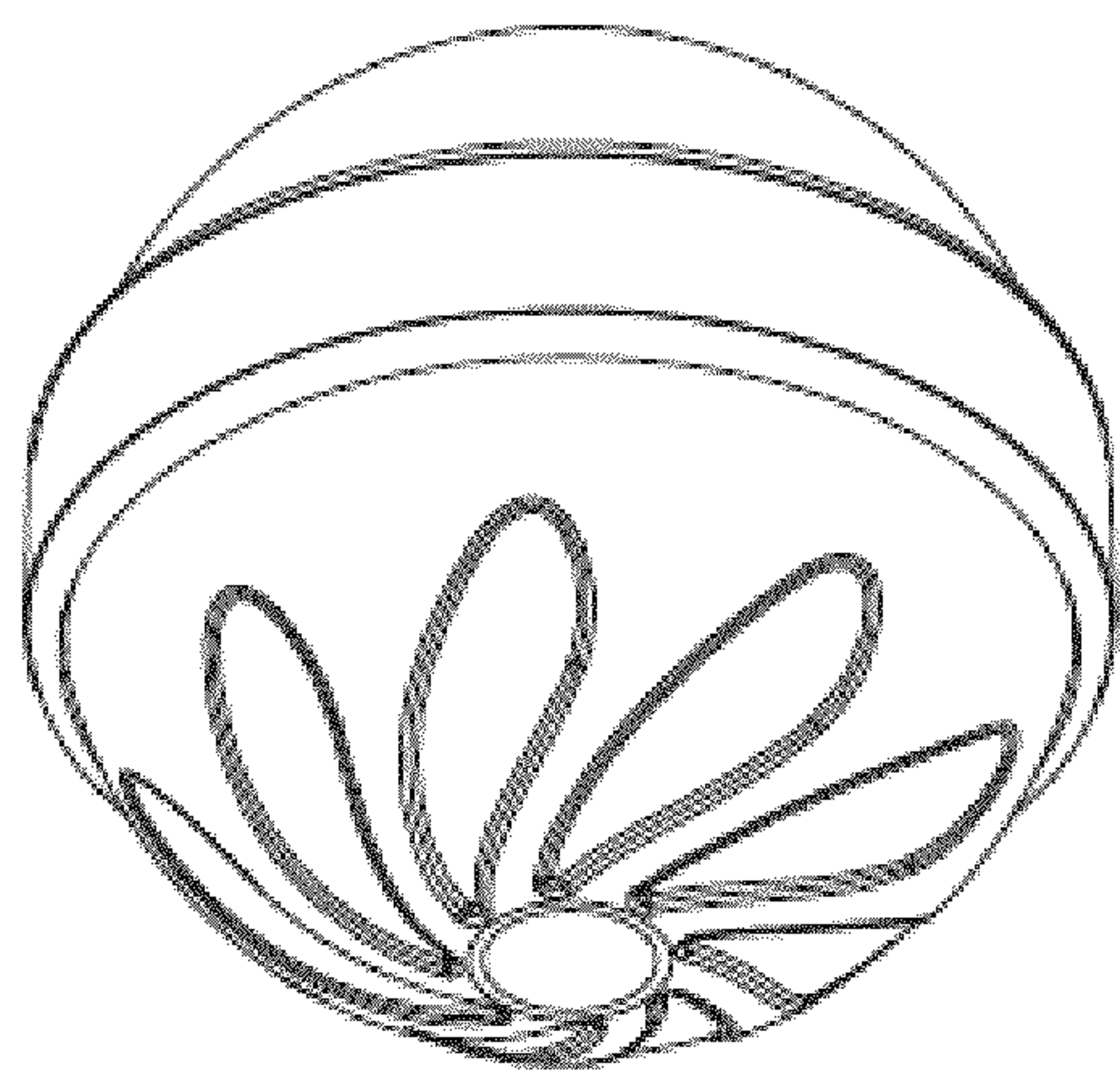


FIG. 1

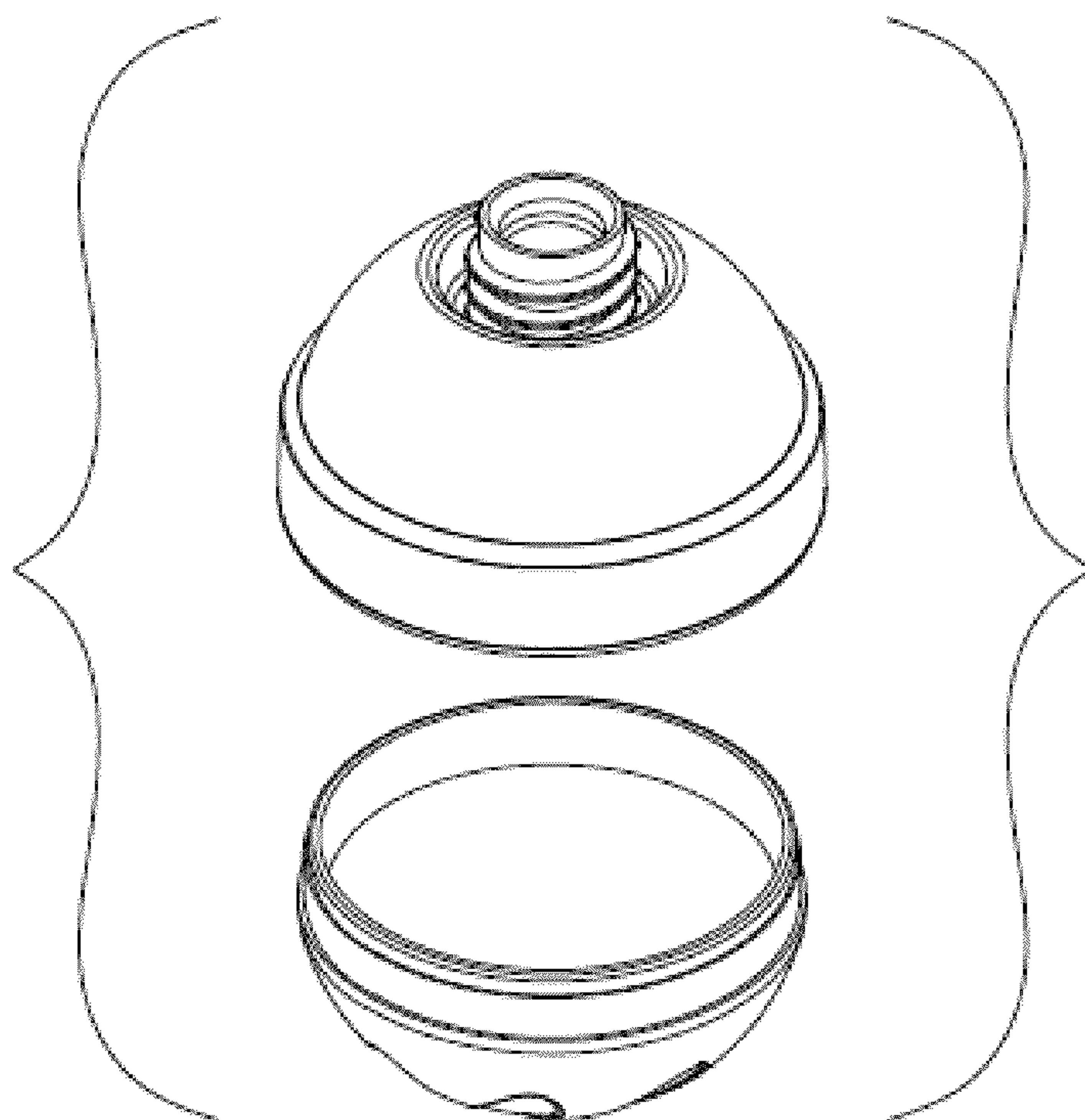


FIG. 2

FIG. 3

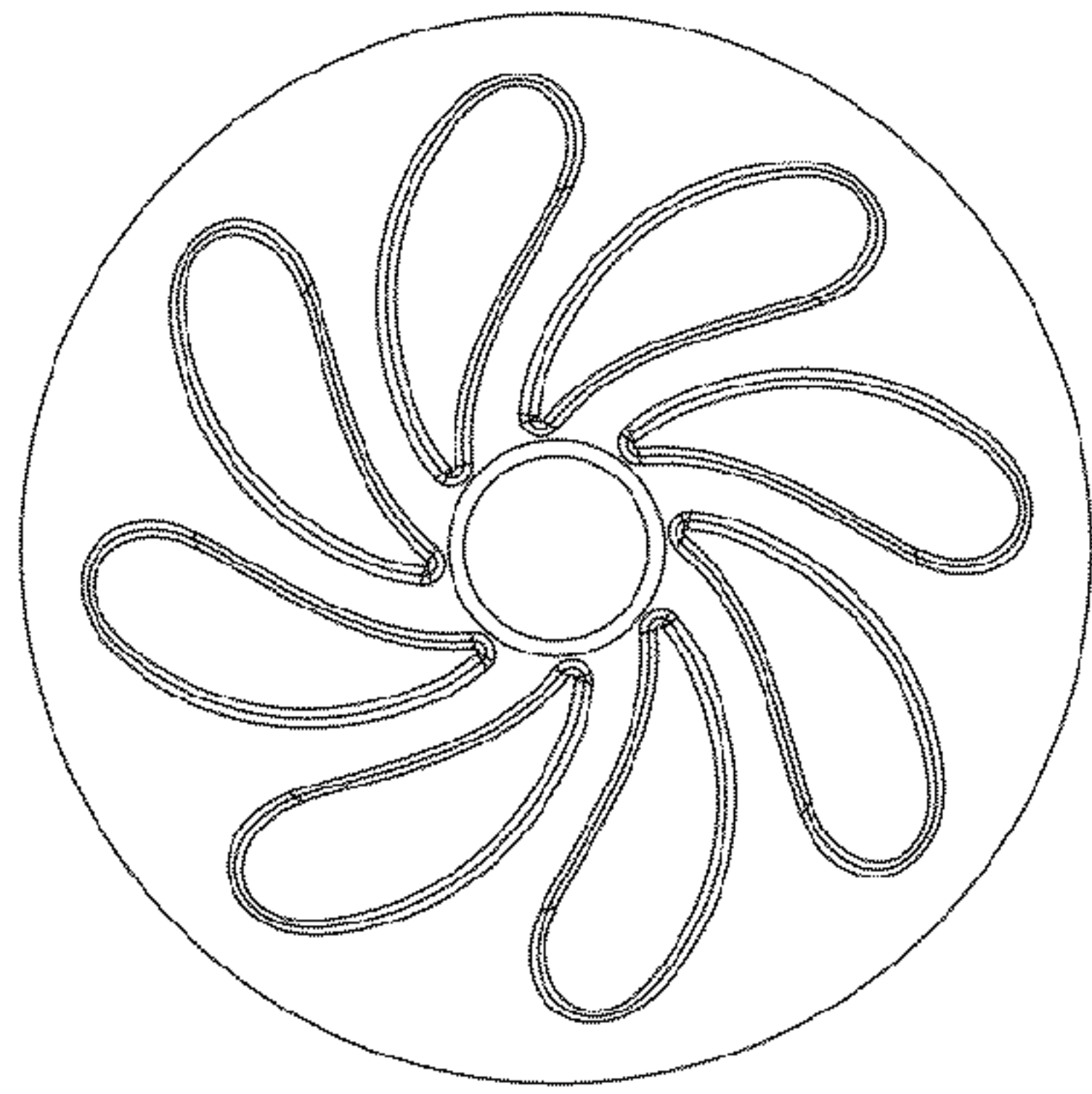


FIG. 4

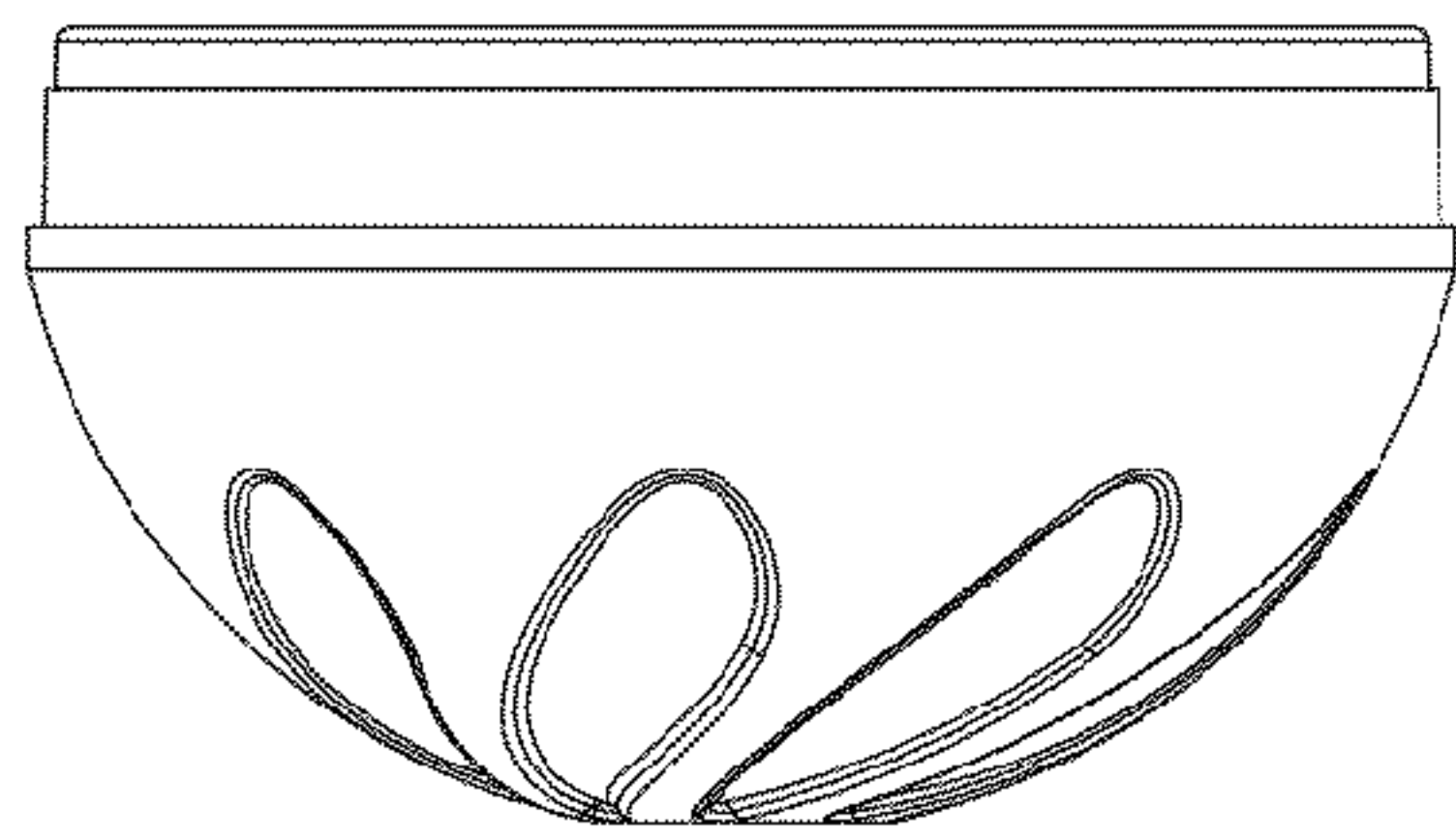


FIG. 5

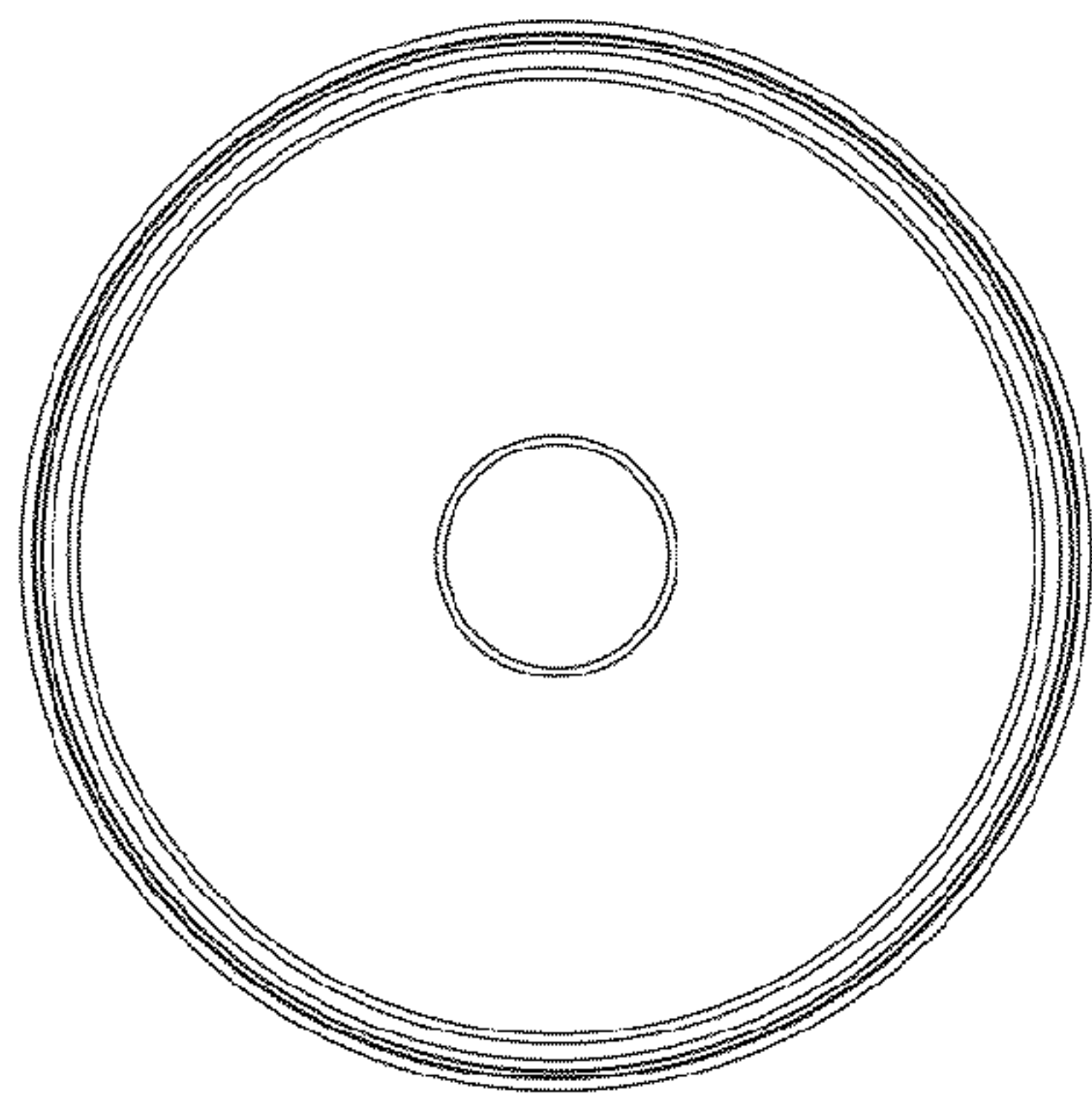


FIG. 6

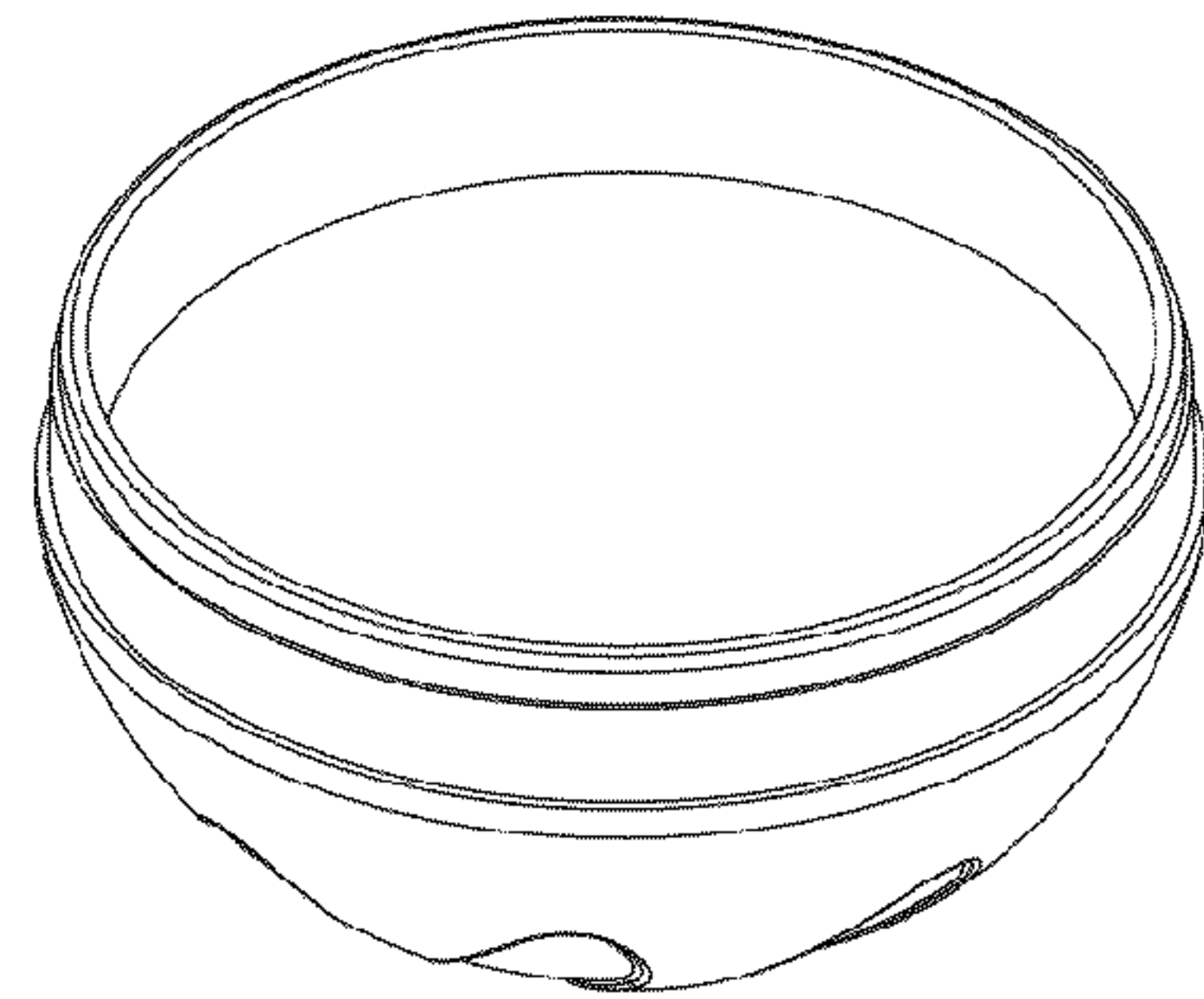


FIG. 7

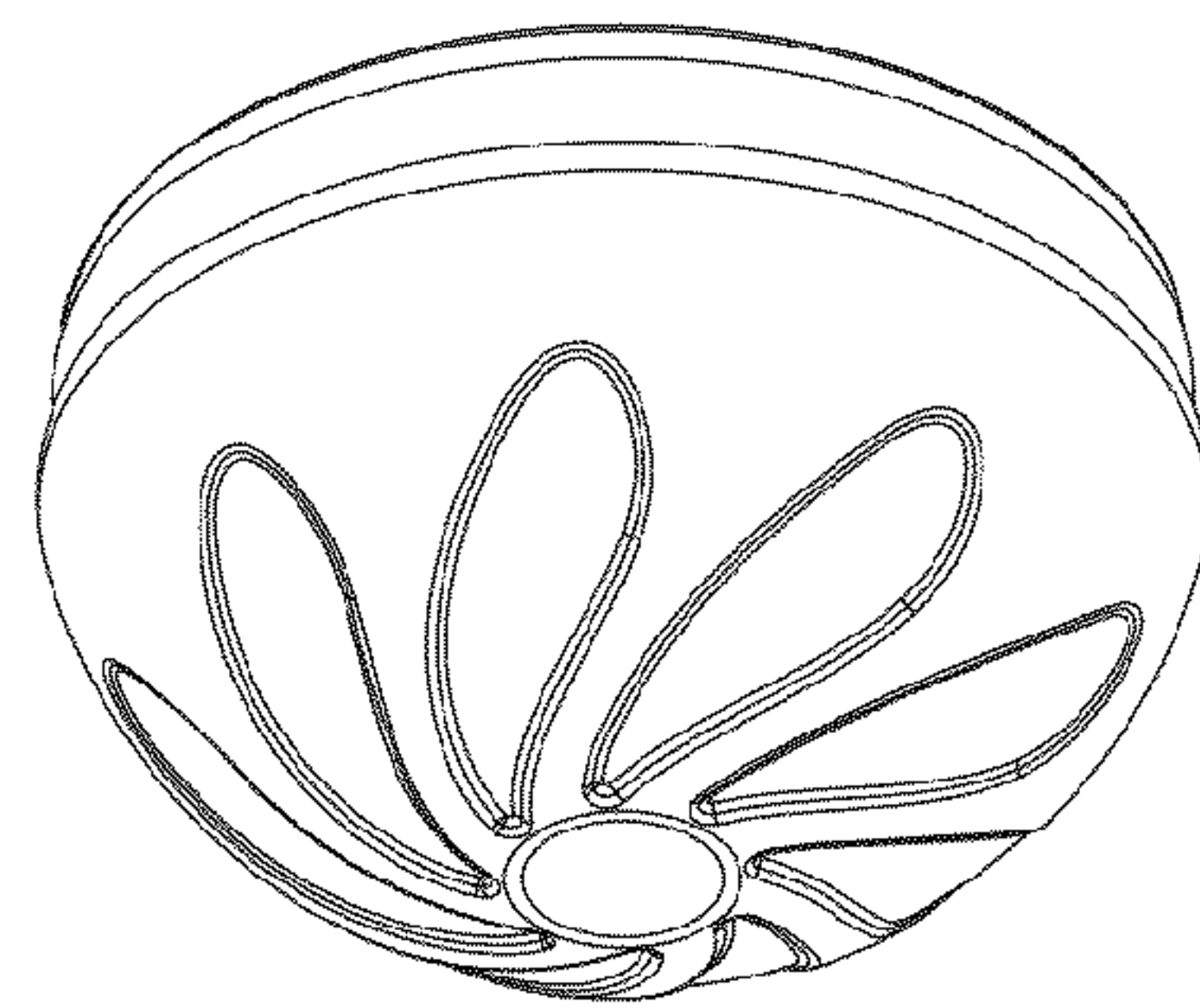


FIG. 8

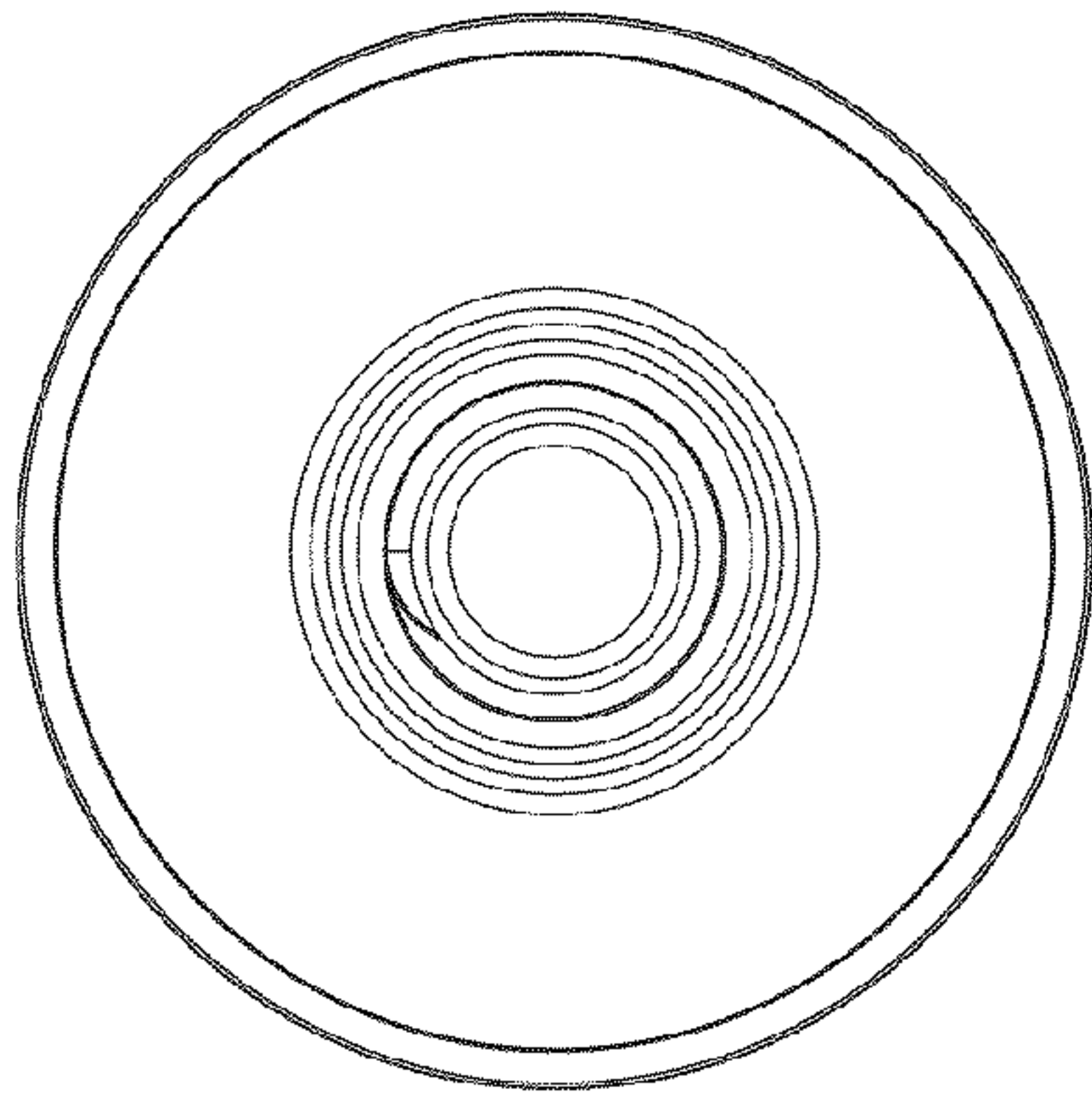


FIG. 9

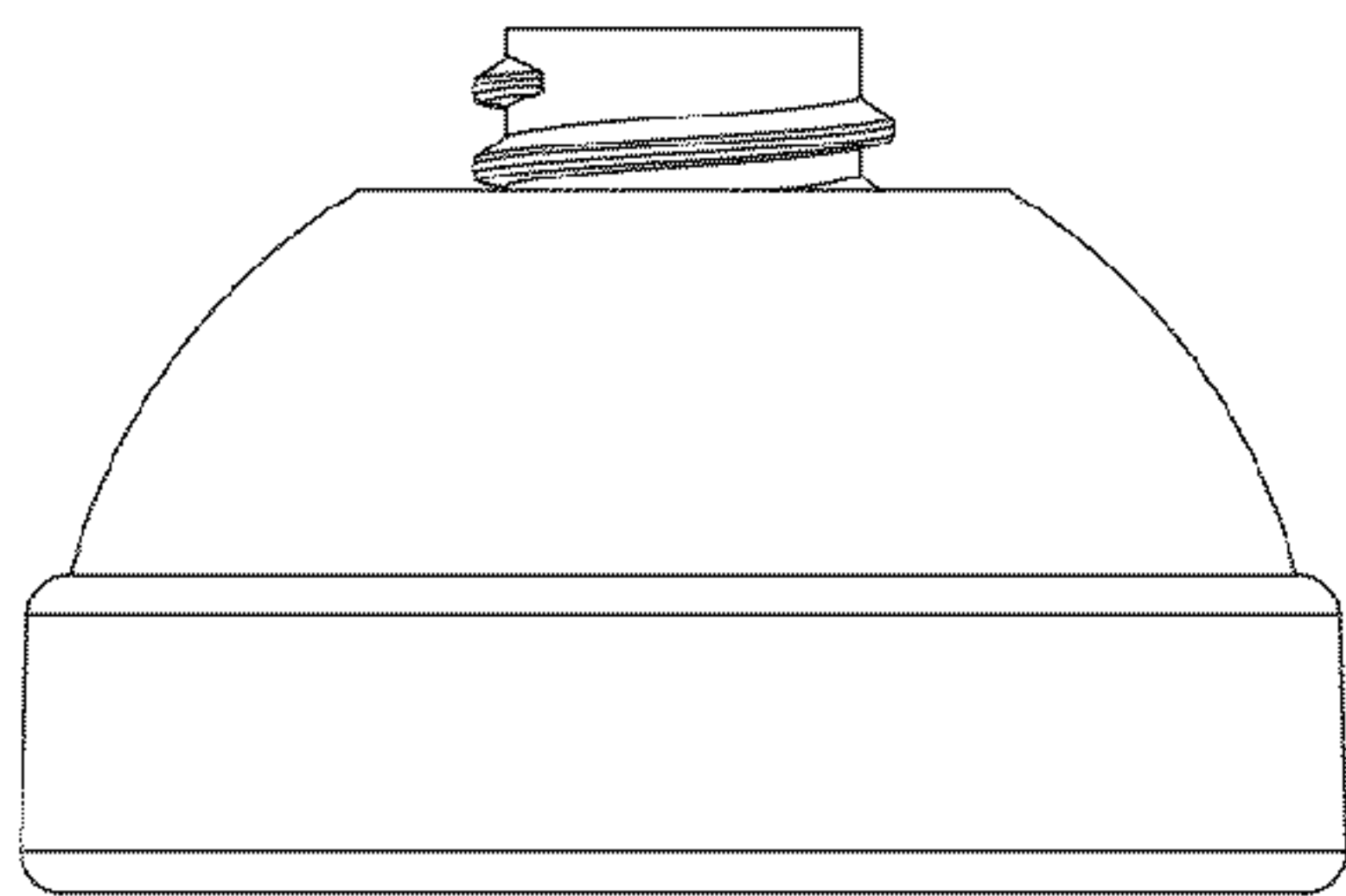


FIG. 10

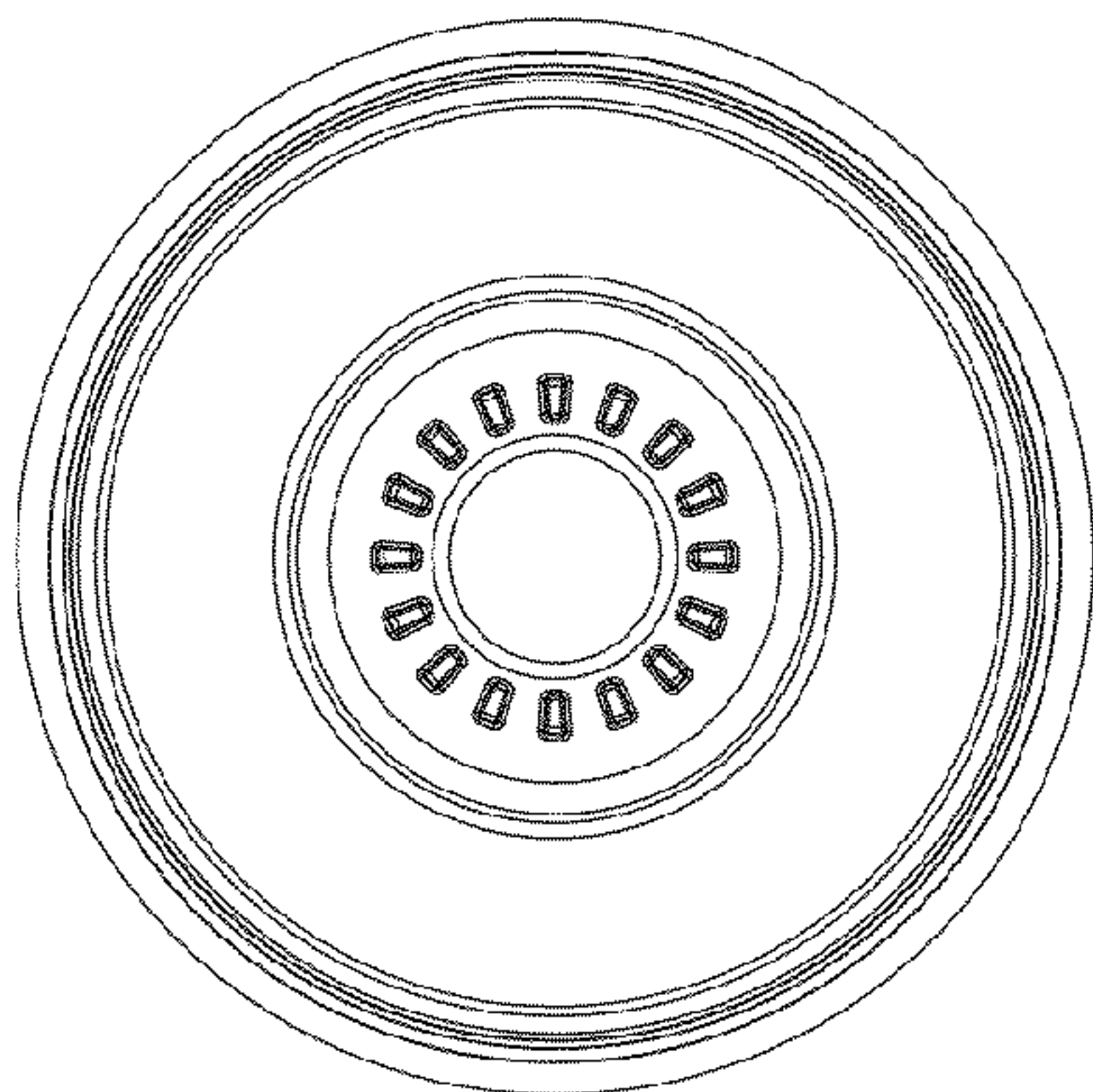


FIG. 11

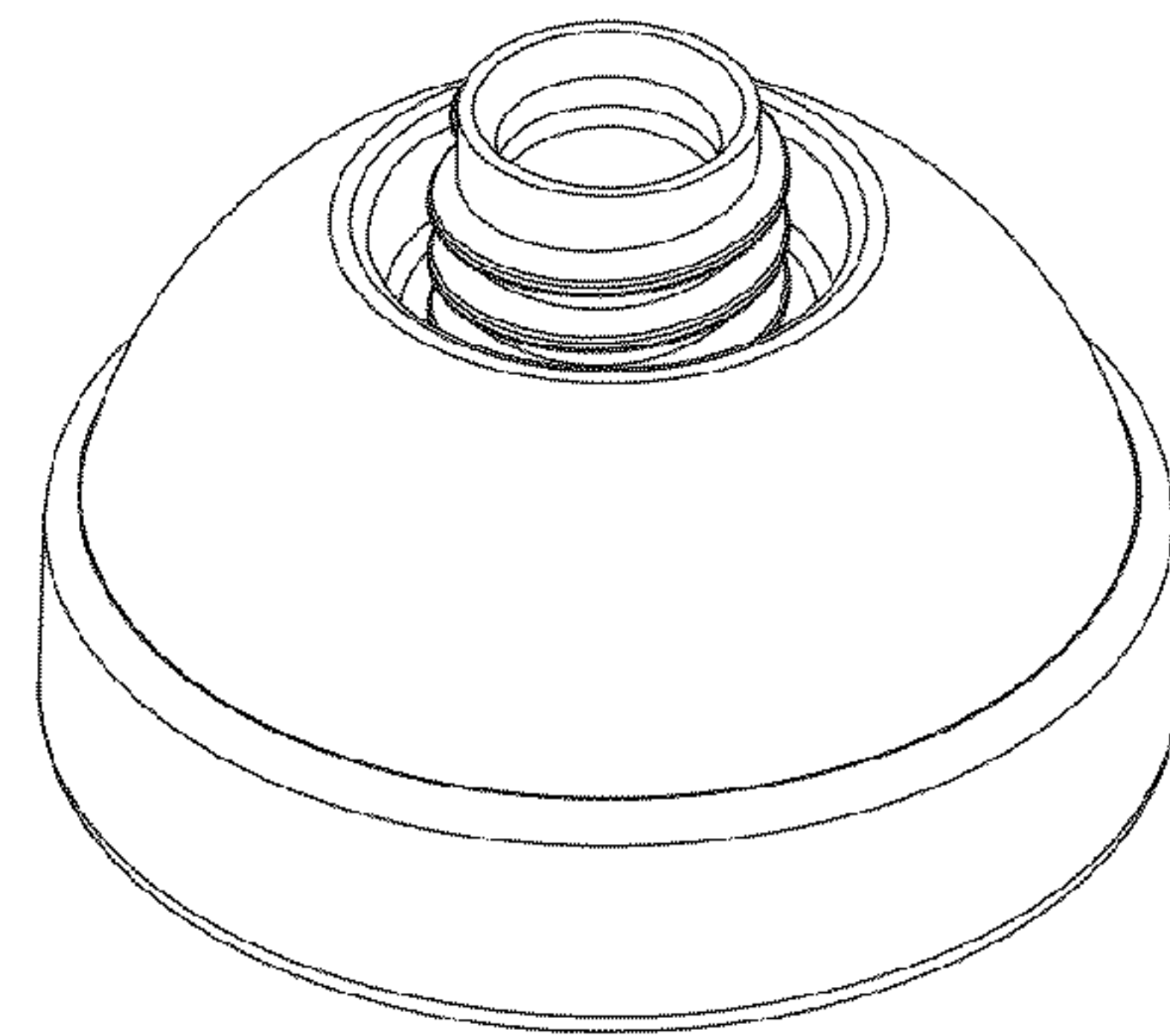


FIG. 12

