



US00D740490S

(12) **United States Design Patent**
Roberts

(10) **Patent No.:** **US D740,490 S**

(45) **Date of Patent:** **** Oct. 6, 2015**

(54) **FOOT CLEANING DEVICE**

(71) Applicant: **Yvonne Antonia Roberts**, Bay Minette, AL (US)

(72) Inventor: **Yvonne Antonia Roberts**, Bay Minette, AL (US)

(**) Term: **14 Years**

(21) Appl. No.: **29/471,656**

(22) Filed: **Nov. 4, 2013**

(51) **LOC (10) Cl.** **28-03**

(52) **U.S. Cl.**
USPC **D28/59**

(58) **Field of Classification Search**
USPC 241/273.1; D7/693, 678; D28/56-59;
D24/149-147; 132/73-76.5
CPC A47J 43/25; A45D 29/11-29/14;
A45D 29/16; A45D 29/17; A45D 29/18;
A45D 29/20; A45D 29/04; A45D 29/00;
A45D 2029/045; A45D 2200/1054; A61B
2017/32008; A61B 17/54
See application file for complete search history.

(56) **References Cited**

U.S. PATENT DOCUMENTS

4,537,207	A	8/1985	Gilhaus	
D290,533	S *	6/1987	Kadaja	D28/59
D393,986	S *	5/1998	Joergensen	D7/678
5,960,506	A	10/1999	Reuven	
5,996,163	A	12/1999	Galizia	
6,142,156	A	11/2000	Brunderman	
6,283,978	B1	9/2001	Cheski	
D483,910	S	12/2003	O'Brien, II	
6,733,595	B1	5/2004	Grillo	
D523,143	S	6/2006	Anderson	
D524,441	S	7/2006	Anderson	
D530,859	S	10/2006	Motta	
D547,496	S	7/2007	Kotte	
D554,801	S	11/2007	Kotte	
D596,353	S	7/2009	Yang	

7,572,484	B1	8/2009	Daley	
D599,499	S	9/2009	Paccagnini	
D604,848	S	11/2009	Shahani	
D617,498	S	6/2010	Martin	
D617,500	S	6/2010	Huang	
D623,801	S	9/2010	Curran	
D631,199	S	1/2011	Helm	
D643,153	S	8/2011	Howlett	
8,186,362	B1 *	5/2012	Wilhelm	132/76.4
8,235,058	B1	8/2012	Fritts	
8,500,754	B2 *	8/2013	Hull, Jr.	606/131
8,888,790	B2 *	11/2014	Grace et al.	606/131
2006/0178676	A1	8/2006	Anderson	
2006/0196520	A1	9/2006	Anderson	
2007/0214557	A1	9/2007	Qiu	

(Continued)

FOREIGN PATENT DOCUMENTS

CN	2780111	5/2006
CN	201303974	9/2009
CN	201642266	11/2010
CN	201911987	8/2011
DE	3320594	12/1984
KR	1020100086205	7/2010

Primary Examiner — Jennifer Rivard

(74) *Attorney, Agent, or Firm* — Adams IP, LLC; J. Hunter Adams

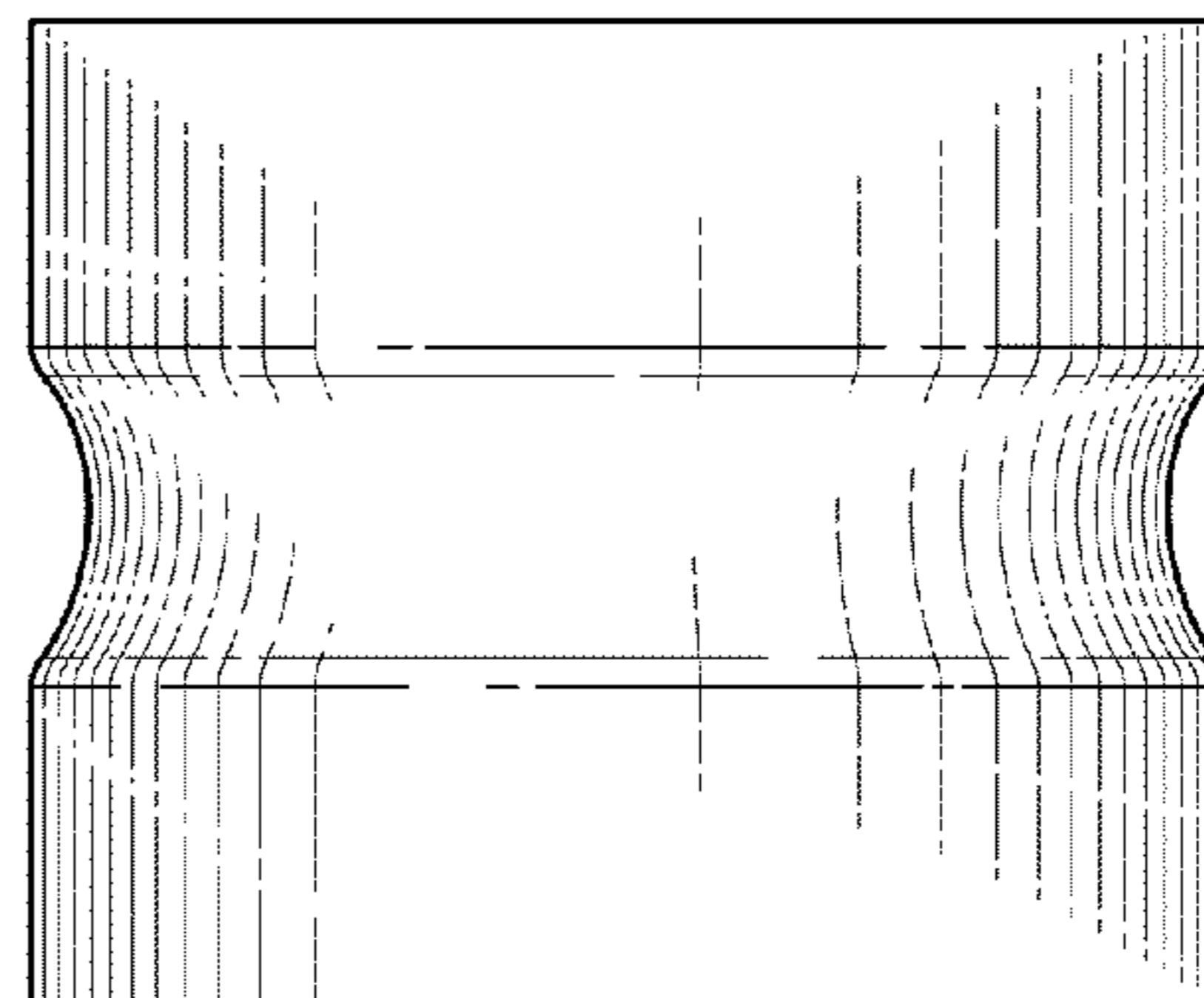
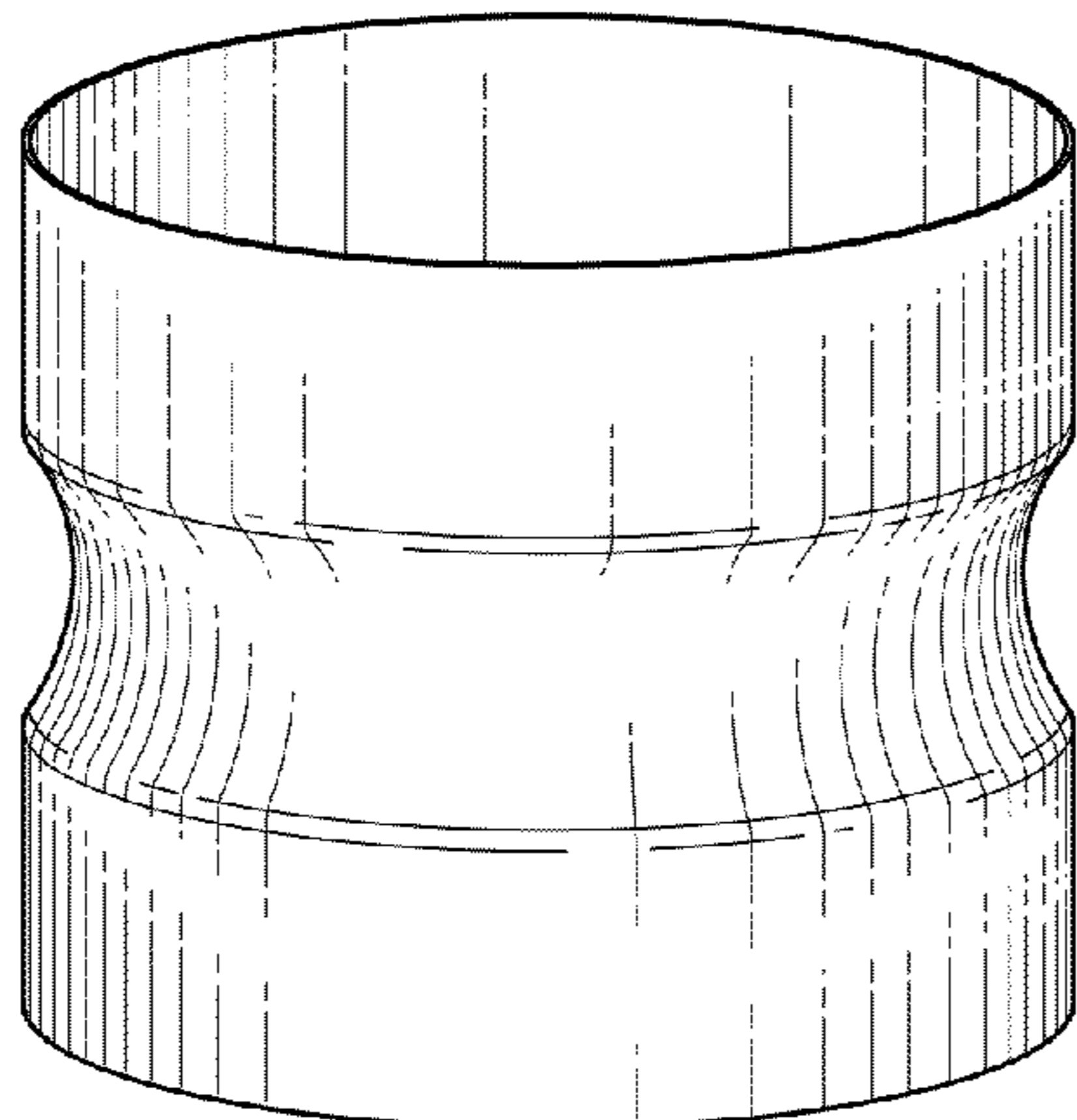
(57) **CLAIM**

The ornamental design for a foot cleaning device, as shown.

DESCRIPTION

FIG. 1 is a front perspective view of a foot cleaning device incorporating my new design;
FIG. 2 is a front side view of a foot cleaning device incorporating my new design;
FIG. 3 is a top side view of a foot cleaning device incorporating my new design;
FIG. 4 is a bottom side view of a foot cleaning device incorporating my new design; and,
FIG. 5 is a cross-sectional view of a foot cleaning device incorporating my design, taken along line 5-5 in FIG. 3.

1 Claim, 2 Drawing Sheets



(56)

References Cited

U.S. PATENT DOCUMENTS

2008/0000490 A1 1/2008 Jo
2008/0045974 A1 2/2008 Dixon
2008/0091216 A1 4/2008 Grace

2010/0037906 A1* 2/2010 Ionis et al. 132/76.5
2011/0139168 A1* 6/2011 Burden et al. 132/76.4
2011/0308540 A1 12/2011 Naftulin
2013/0056015 A1 3/2013 Wang
2015/0105801 A1* 4/2015 Roberts 606/131

* cited by examiner

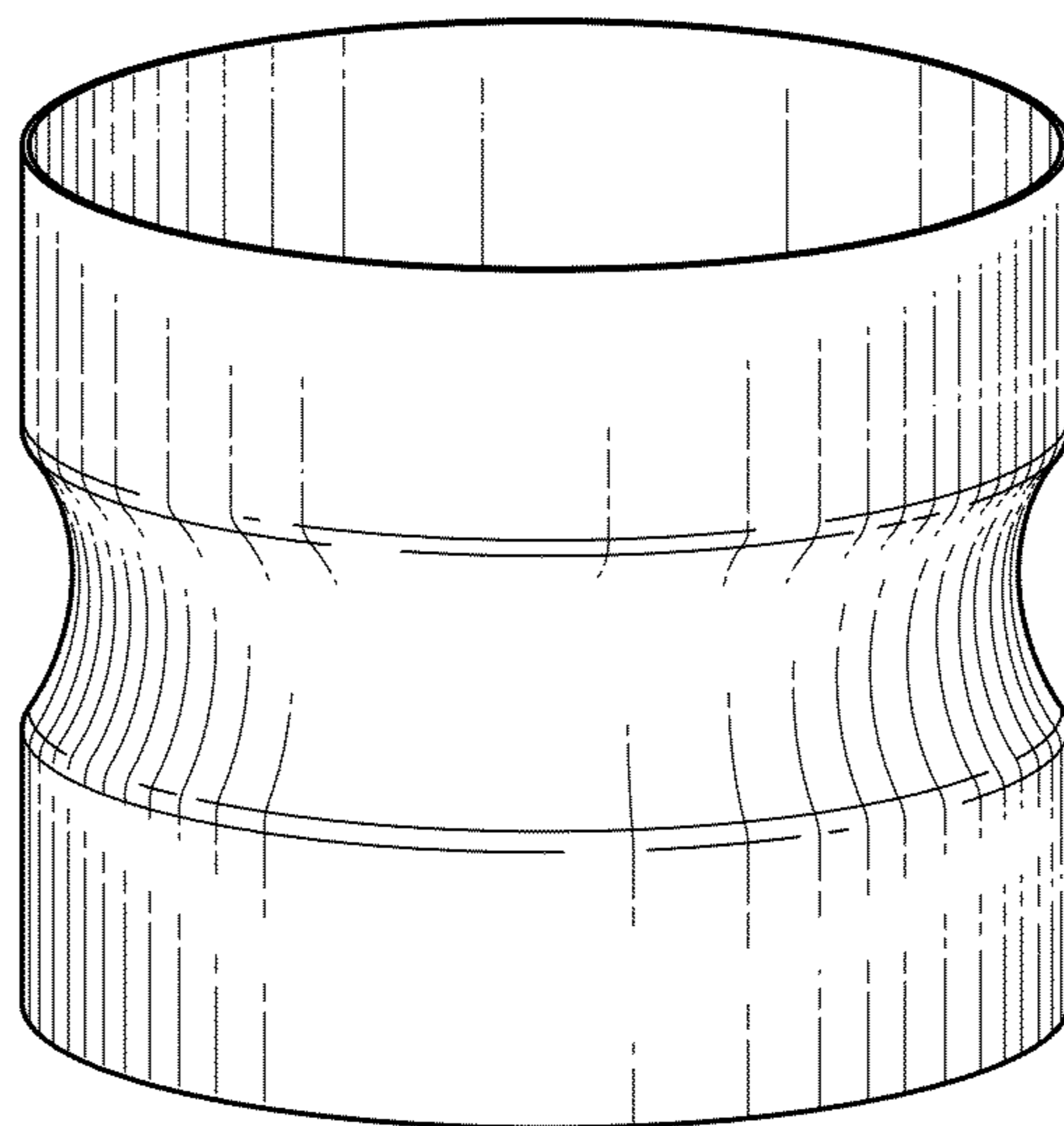


FIG. 1

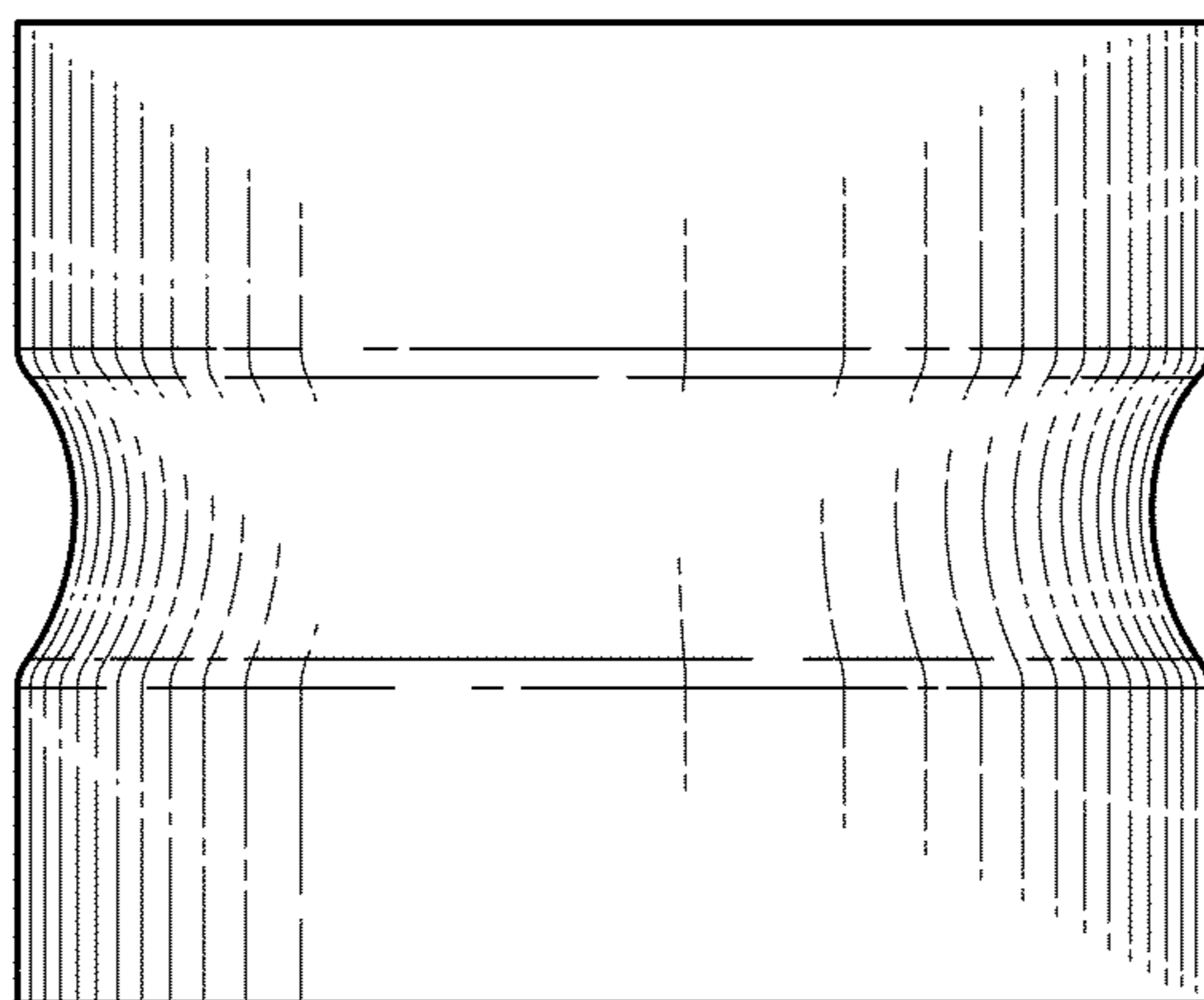


FIG. 2

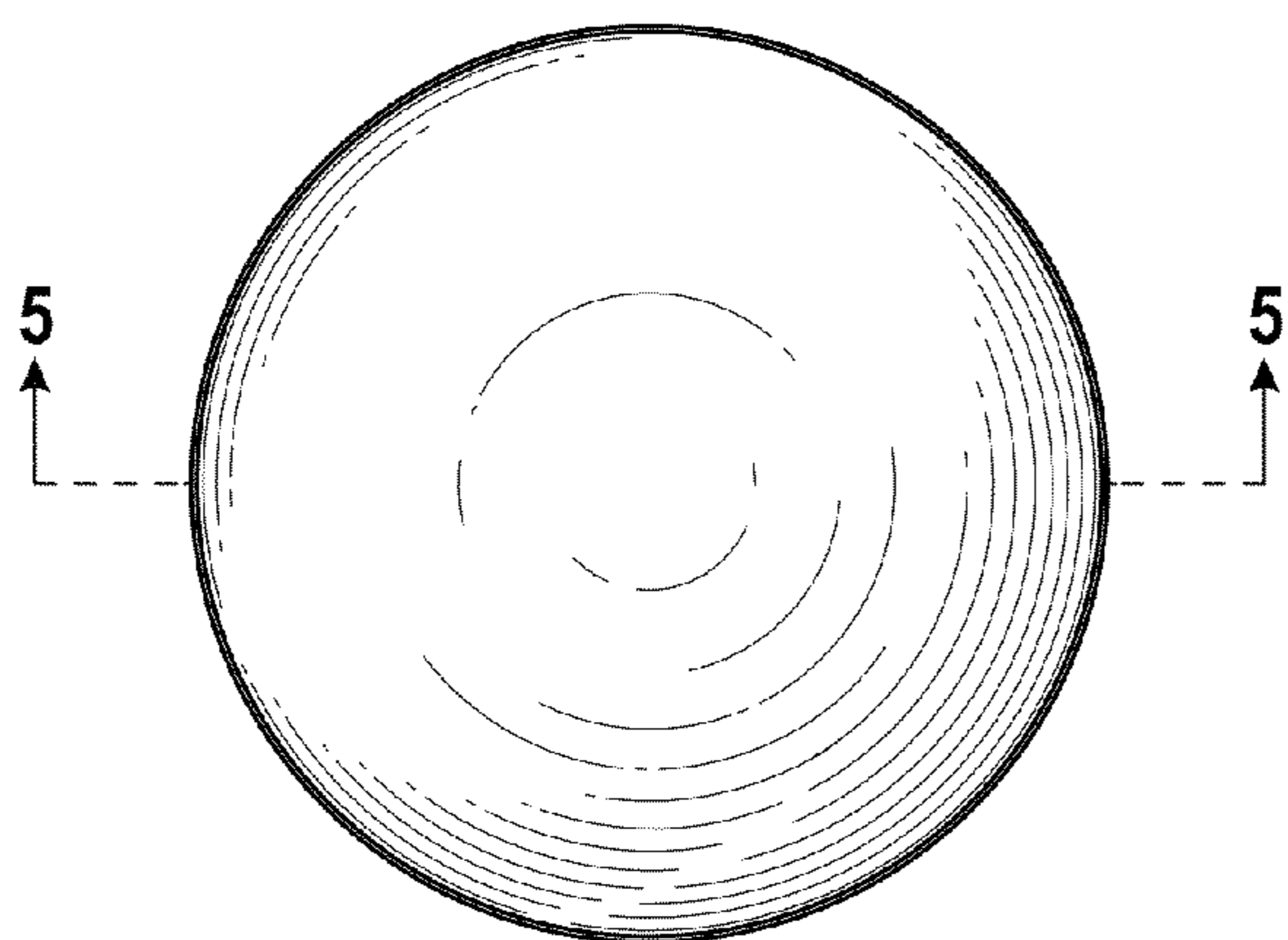


FIG. 3

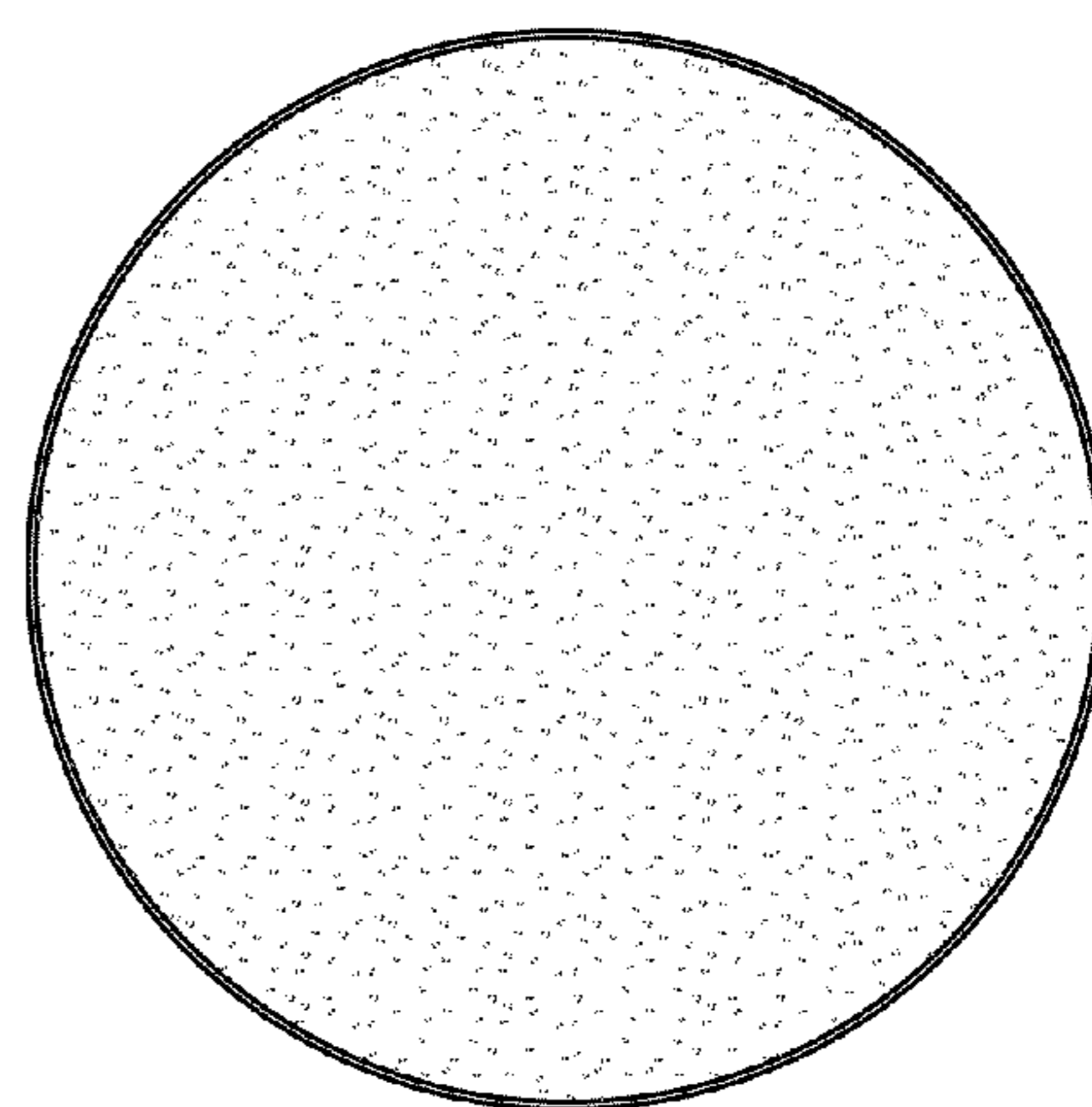


FIG. 4

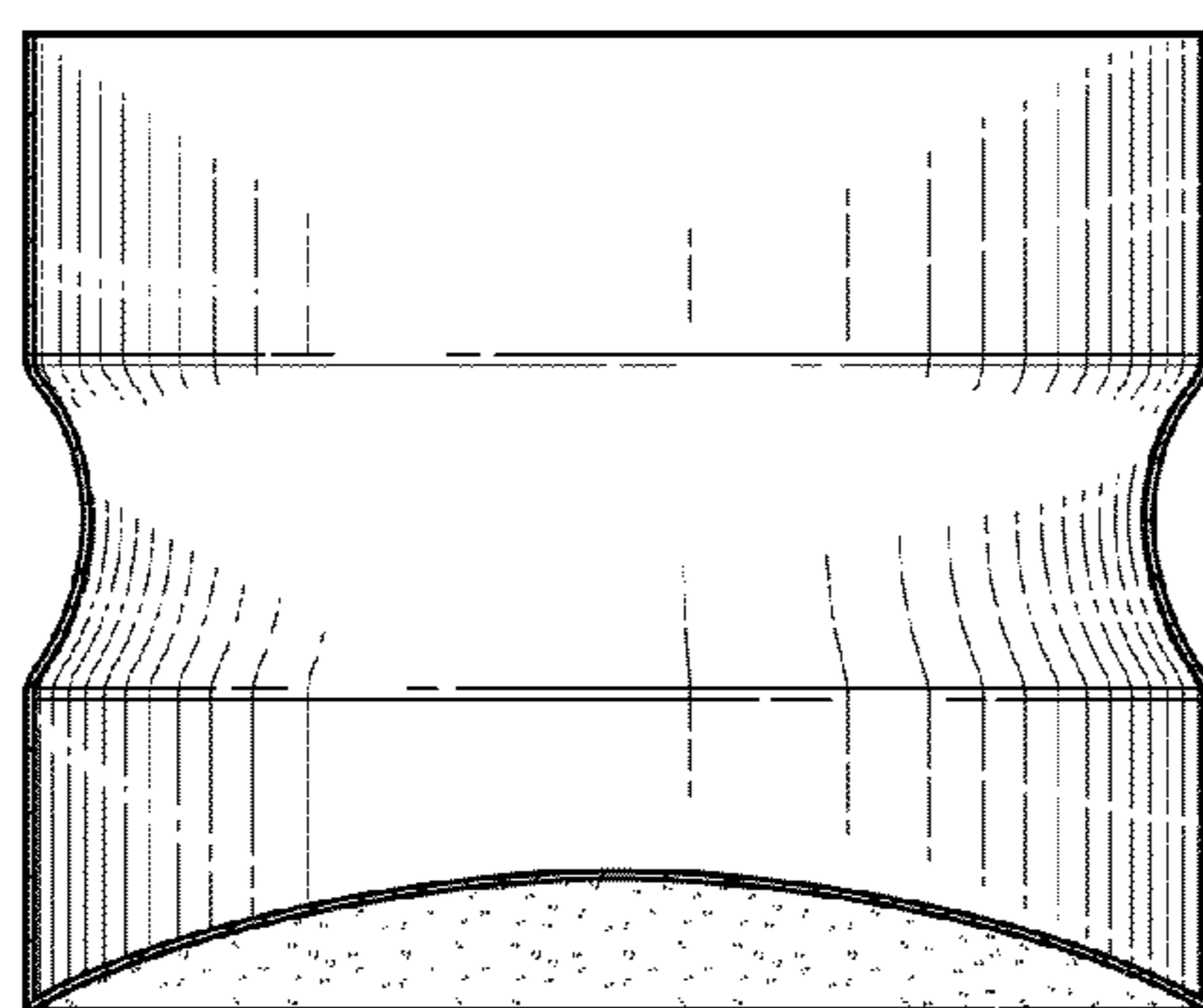


FIG. 5