



US00D740489S

(12) **United States Design Patent**
Cook et al.

(10) **Patent No.:** **US D740,489 S**

(45) **Date of Patent:** **** Oct. 6, 2015**

(54) **SPONGE APPLICATOR**

(71) Applicant: **Carman Cook**, Dunnellon, FL (US)

(72) Inventors: **Carman Cook**, Dunnellon, FL (US);
Holly L. Johnston, Oregon City, OR (US)

(73) Assignee: **Carman Cook**, Dunnellon, FL (US)

(**) Term: **14 Years**

(21) Appl. No.: **29/489,373**

(22) Filed: **Apr. 29, 2014**

(51) **LOC (10) Cl.** **28-02**

(52) **U.S. Cl.**
USPC **D28/7**

(58) **Field of Classification Search**
USPC D28/7, 8, 20–22, 30–31, 76, 85, 99;
132/108, 202, 208, 317.32;
401/202–207, 261–267; D4/132–135;
D24/119

CPC . A45D 34/002; A45D 34/005; A45D 34/007;
A45D 34/04; A45D 34/041; A45D 34/042;
A45D 34/043; A45D 34/045; A45D 34/046;
A45D 34/047; A45D 34/048; A45D 34/06

See application file for complete search history.

(56) **References Cited**

U.S. PATENT DOCUMENTS

3,847,151 A 11/1974 D’Alessandro
4,365,642 A * 12/1982 Costa 132/218
D304,495 S * 11/1989 Tyo et al. D24/211

6,379,069 B1 4/2002 May
6,659,109 B2 * 12/2003 Noa 132/317
6,796,737 B2 9/2004 Ashe
D504,542 S * 4/2005 Noh D28/76
7,125,189 B2 * 10/2006 Gueret 401/202
2010/0318041 A1 12/2010 Cook

* cited by examiner

Primary Examiner — Zenia Bennett

(74) *Attorney, Agent, or Firm* — Merger Johnson & McCollom, P.C.

(57) **CLAIM**

The ornamental design for a sponge applicator, as shown and described.

DESCRIPTION

A portion of the disclosure of this patent document contains material that is subject to copyright protection. The copyright owner has no objection to the facsimile reproduction by any one of the patent disclosure, as it appears in the Patent and Trademark Office patent files or records, but otherwise reserves all copyright rights whatsoever.

FIG. 1 is a front perspective view of a sponge applicator, according to one embodiment;

FIG. 2 is a front plan view, the rear side being substantially a mirror image thereof;

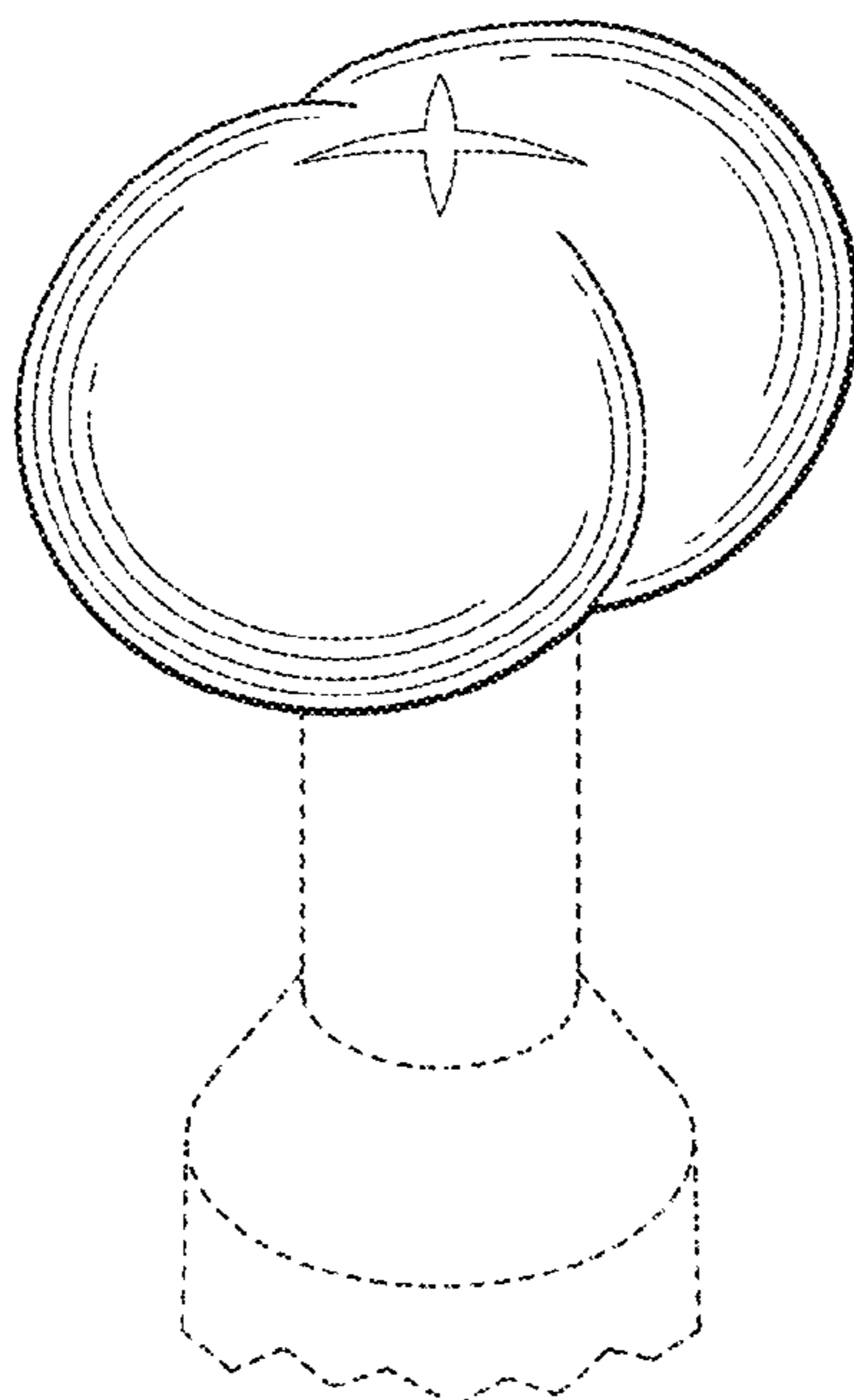
FIG. 3 is a left side plan view, the right side being substantially a mirror image thereof;

FIG. 4 is a top plan view thereof; and,

FIG. 5 is a bottom plan view thereof.

The broken lines are for illustrative purposes only and form no part of the claimed design.

1 Claim, 1 Drawing Sheet



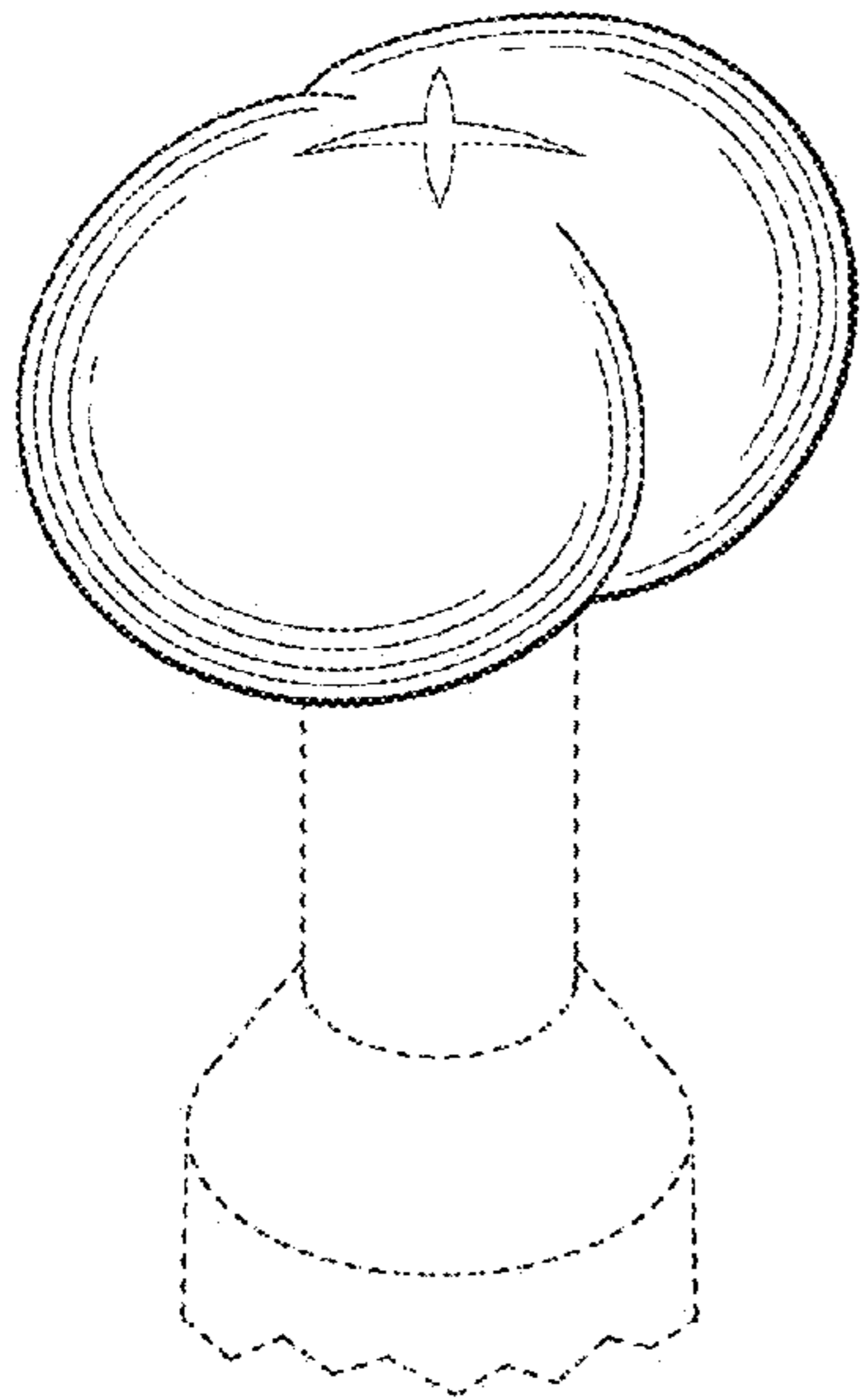


FIG. 1

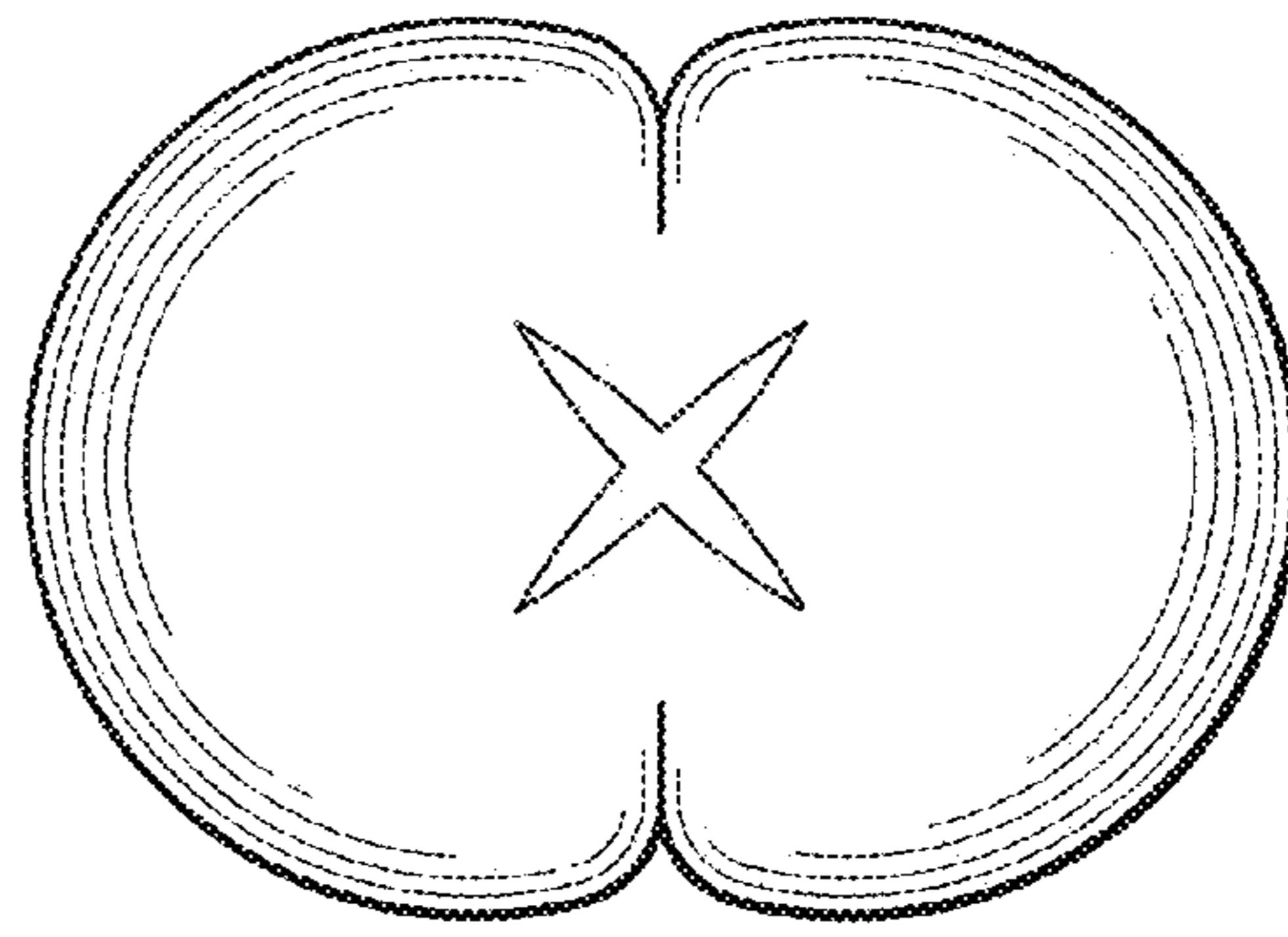


FIG. 4

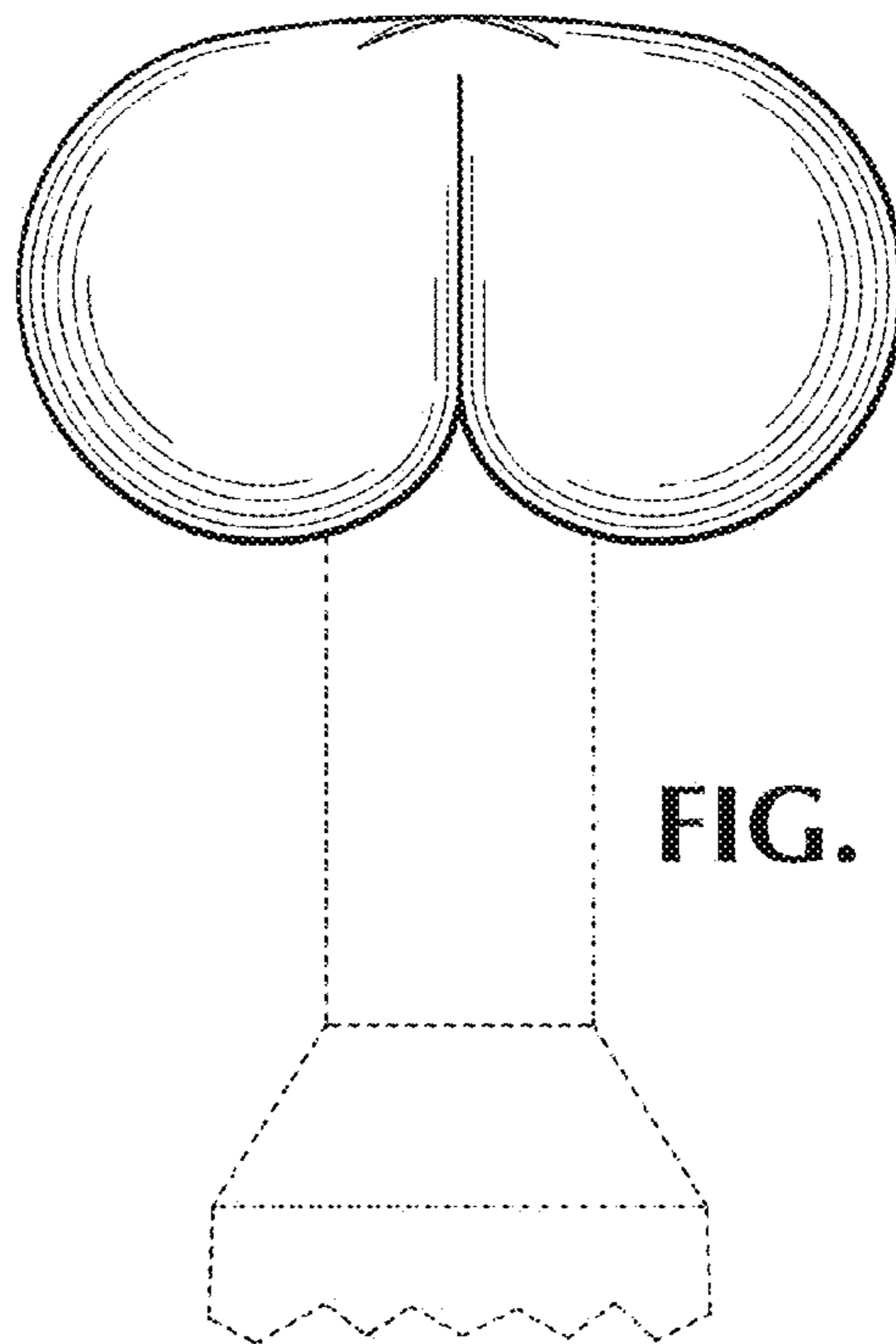


FIG. 2

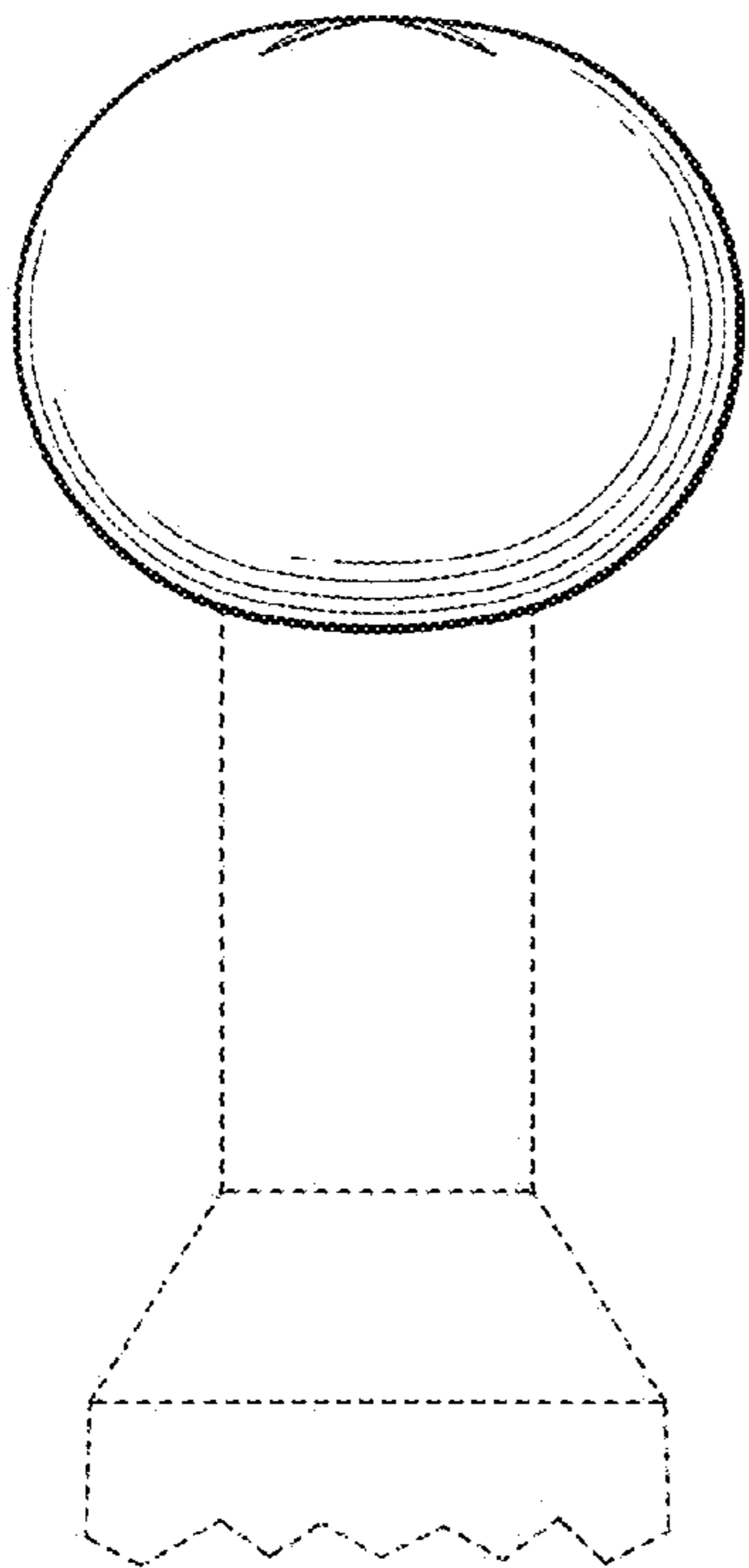


FIG. 3

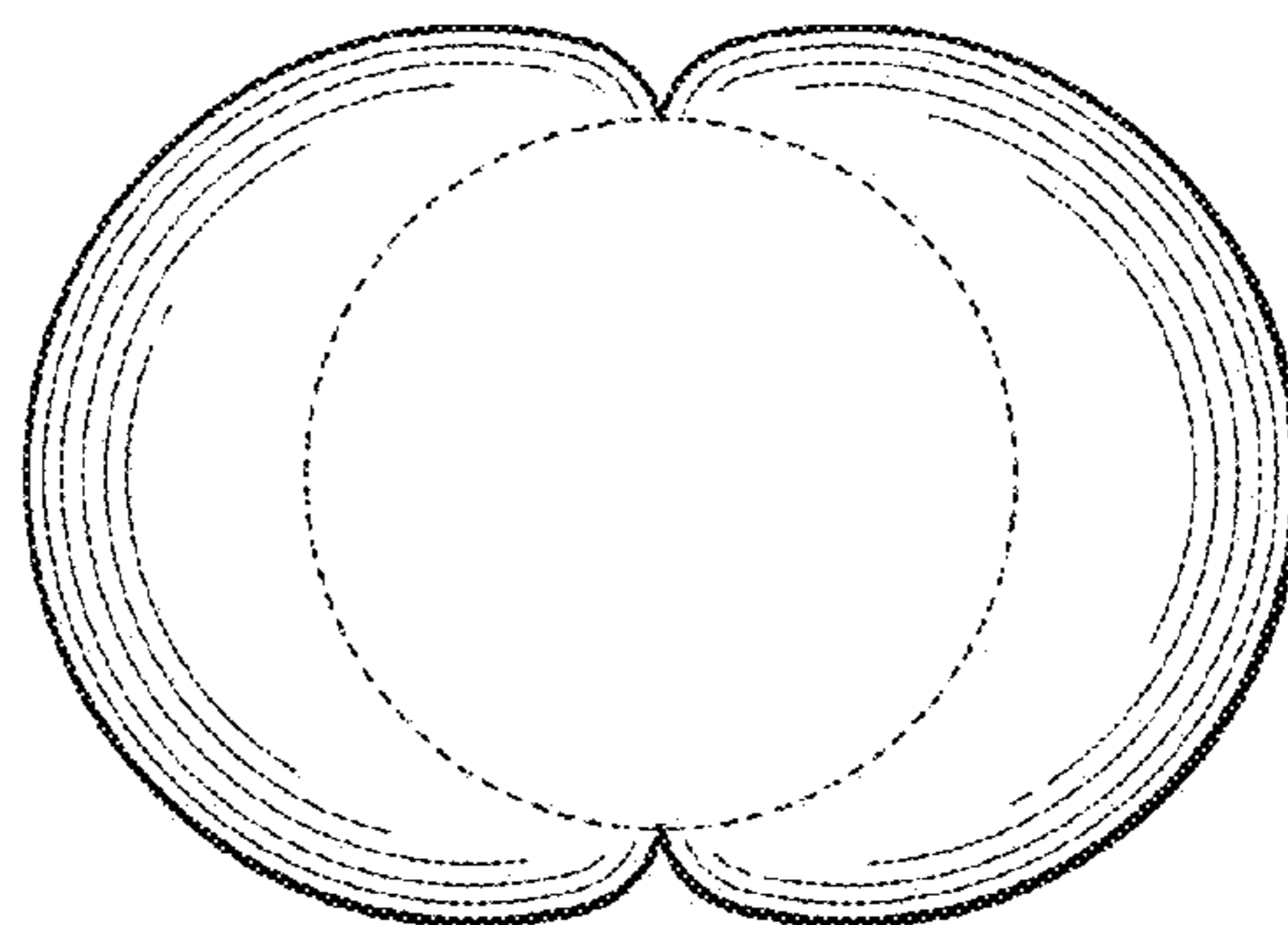


FIG. 5

UNITED STATES PATENT AND TRADEMARK OFFICE
CERTIFICATE OF CORRECTION

PATENT NO. : D740,489 S
APPLICATION NO. : 29/489373
DATED : October 6, 2015
INVENTOR(S) : Carman Cook et al.

Page 1 of 1

It is certified that error appears in the above-identified patent and that said Letters Patent is hereby corrected as shown below:

TITLE PAGE

Item 74 -----SHOULD READ
Marger Johnson

Signed and Sealed this
First Day of November, 2016



Michelle K. Lee
Director of the United States Patent and Trademark Office