



US00D740488S

(12) **United States Design Patent**
Leidel et al.

(10) **Patent No.:** **US D740,488 S**

(45) **Date of Patent:** **** Oct. 6, 2015**

(54) **ATOMIZER**

(71) Applicant: **The Hand Media, Inc.**, Miami, FL (US)

(72) Inventors: **Brandon Leidel**, Miami, FL (US);
Eduardo Rodriguez, Miami, FL (US)

(**) Term: **15 Years**

(21) Appl. No.: **29/533,061**

(22) Filed: **Jul. 14, 2015**

(51) **LOC (10) Cl.** **27-02**

(52) **U.S. Cl.**
USPC **D27/167**

(58) **Field of Classification Search**
USPC D27/100, 101, 163, 169, 172, 194;
131/270–273, 360–368, 329, 330;
128/202.21; D23/360, 363
CPC A24C 1/18; A24D 1/00; A61M 15/06;
A24F 47/002; A24F 1/28; A24F 47/008
See application file for complete search history.

(56) **References Cited**

U.S. PATENT DOCUMENTS

D636,844 S	4/2011	Herre	
D652,571 S *	1/2012	Shenassa et al.	D27/163
D655,036 S *	2/2012	Zhou	D27/101
D657,046 S	4/2012	Terry	
D657,047 S	4/2012	Minskoff	
D682,465 S	5/2013	Yeom	
D683,897 S *	6/2013	Liu	D27/170
D684,311 S *	6/2013	Liu	D27/101
8,490,629 B1 *	7/2013	Shenassa et al.	131/198.2
D692,544 S	10/2013	Hayakawa	
D702,876 S	4/2014	Liu	
D710,488 S	8/2014	Alima	
D729,440 S *	5/2015	Liu	D27/101
9,038,642 B2 *	5/2015	Liu	131/273
D731,112 S *	6/2015	Li	D27/101
D731,634 S *	6/2015	Page et al.	D23/365
2013/0192618 A1 *	8/2013	Li et al.	131/329

2014/0109921 A1 *	4/2014	Chen	131/273
2014/0355969 A1 *	12/2014	Stern	392/390
2015/0013700 A1 *	1/2015	Liu	131/329
2015/0013702 A1 *	1/2015	Liu	131/329
2015/0020827 A1 *	1/2015	Liu	131/329
2015/0020831 A1 *	1/2015	Weigensberg et al.	131/329
2015/0027467 A1 *	1/2015	Liu	131/329
2015/0027471 A1 *	1/2015	Feldman et al.	131/329
2015/0059782 A1 *	3/2015	Liu	131/329
2015/0128977 A1 *	5/2015	Li et al.	131/329
2015/0150306 A1 *	6/2015	Chen	131/329
2015/0173421 A1 *	6/2015	Hsieh	131/329

* cited by examiner

Primary Examiner — Susan Bennett Hattan

Assistant Examiner — Janice Hallmark

(74) *Attorney, Agent, or Firm* — Christopher J. Vandam, PA;
Chris Van Dam

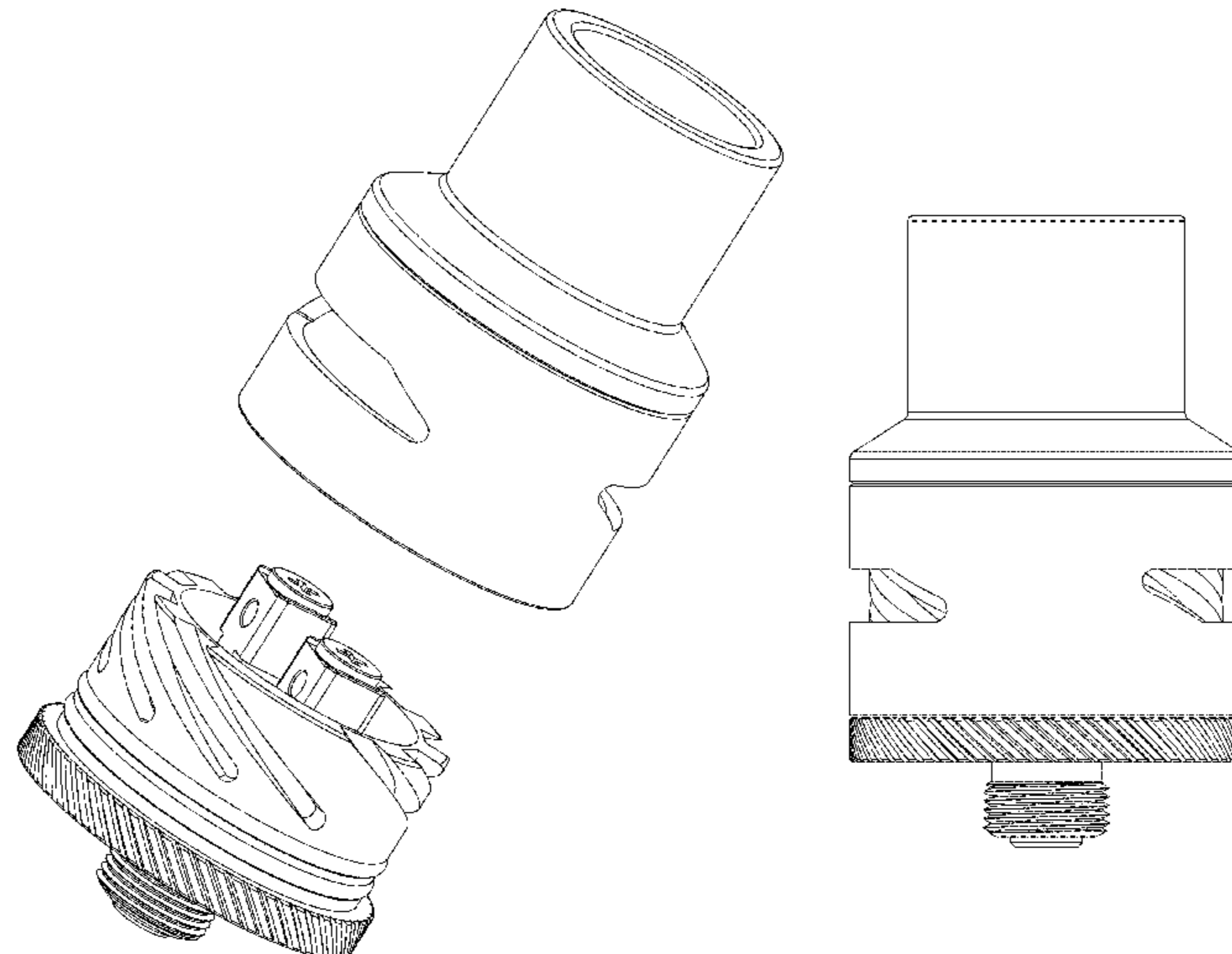
(57) **CLAIM**

The ornamental design for an atomizer, as shown and described.

DESCRIPTION

FIG. 1 is a three-dimensional exploded view of an atomizer showing my new design;
 FIG. 2 is an elevation view thereof;
 FIG. 3 is another elevation view thereof;
 FIG. 4 is a top plan view thereof;
 FIG. 5 is a bottom plan view thereof;
 FIG. 6 is exploded elevation view thereof, shown for clarity of disclosure;
 FIG. 7 is a three-dimensional view thereof;
 FIG. 8 is another three-dimensional view thereof;
 FIG. 9 is another exploded three-dimensional view thereof;
 and,
 FIG. 10 is a three-dimensional view of an isolated component of the atomizer of FIG. 1 shown for clarity of disclosure.
 An atomizer for use with a personal vaporizer.

1 Claim, 10 Drawing Sheets



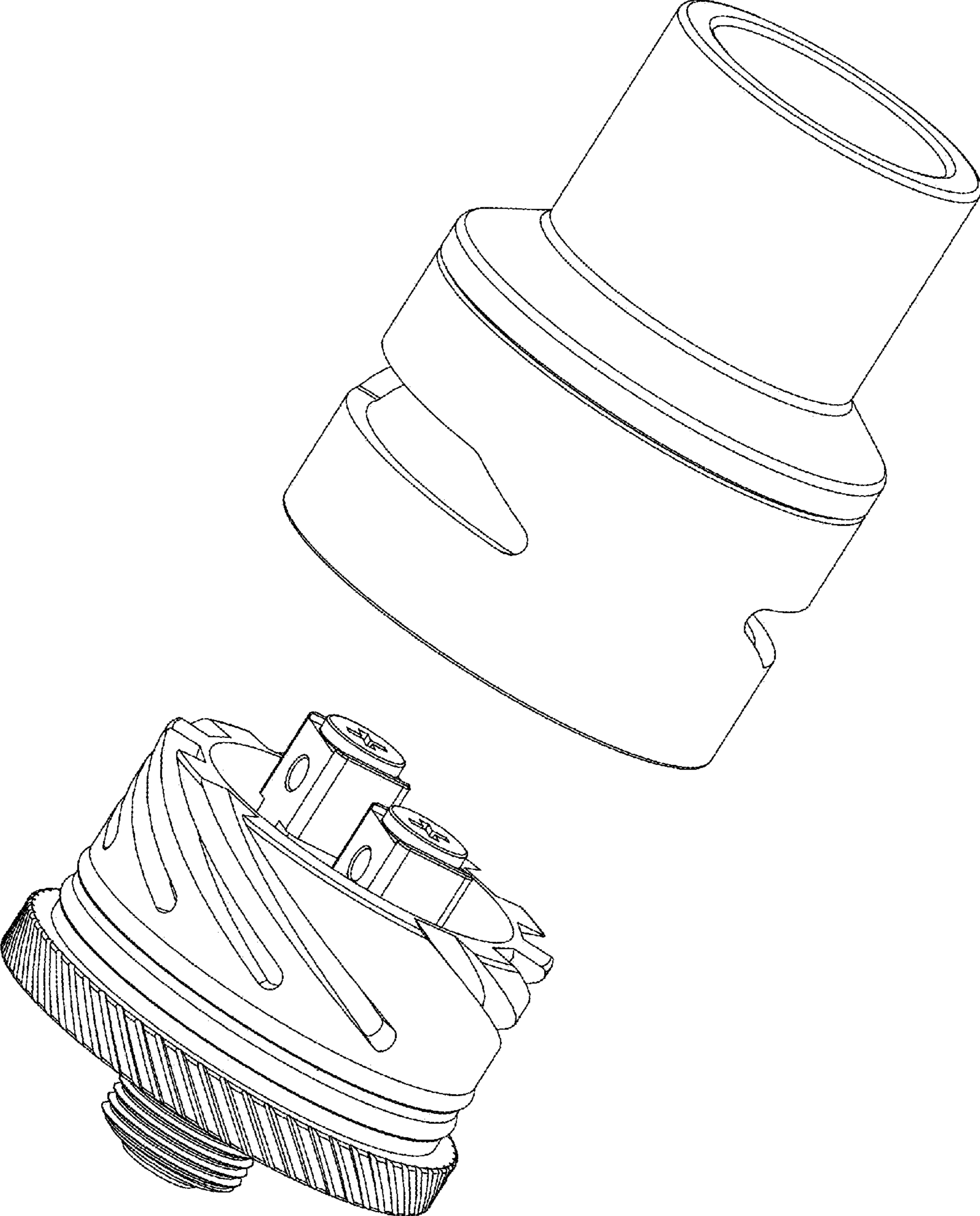


FIG. 1

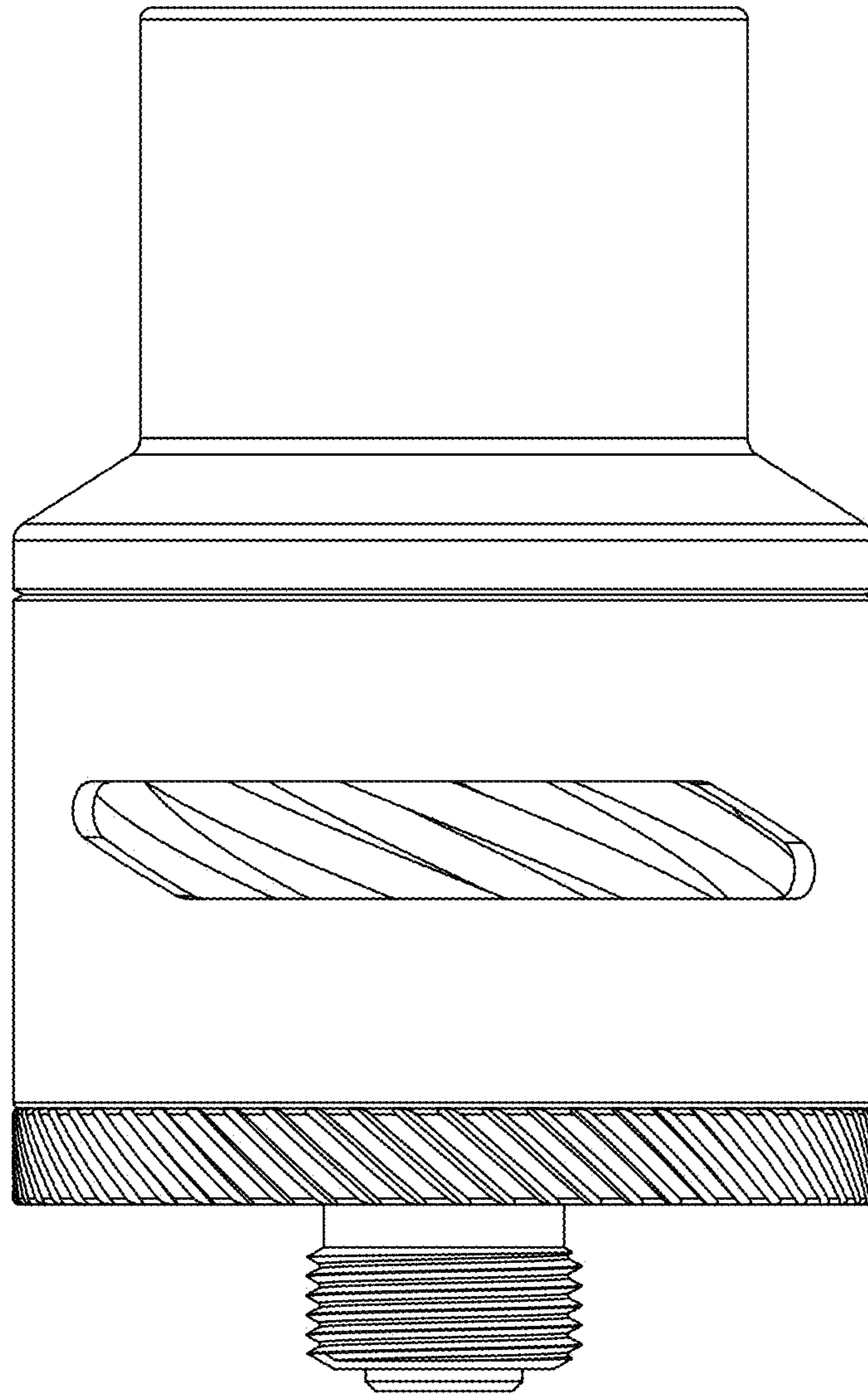


FIG. 2

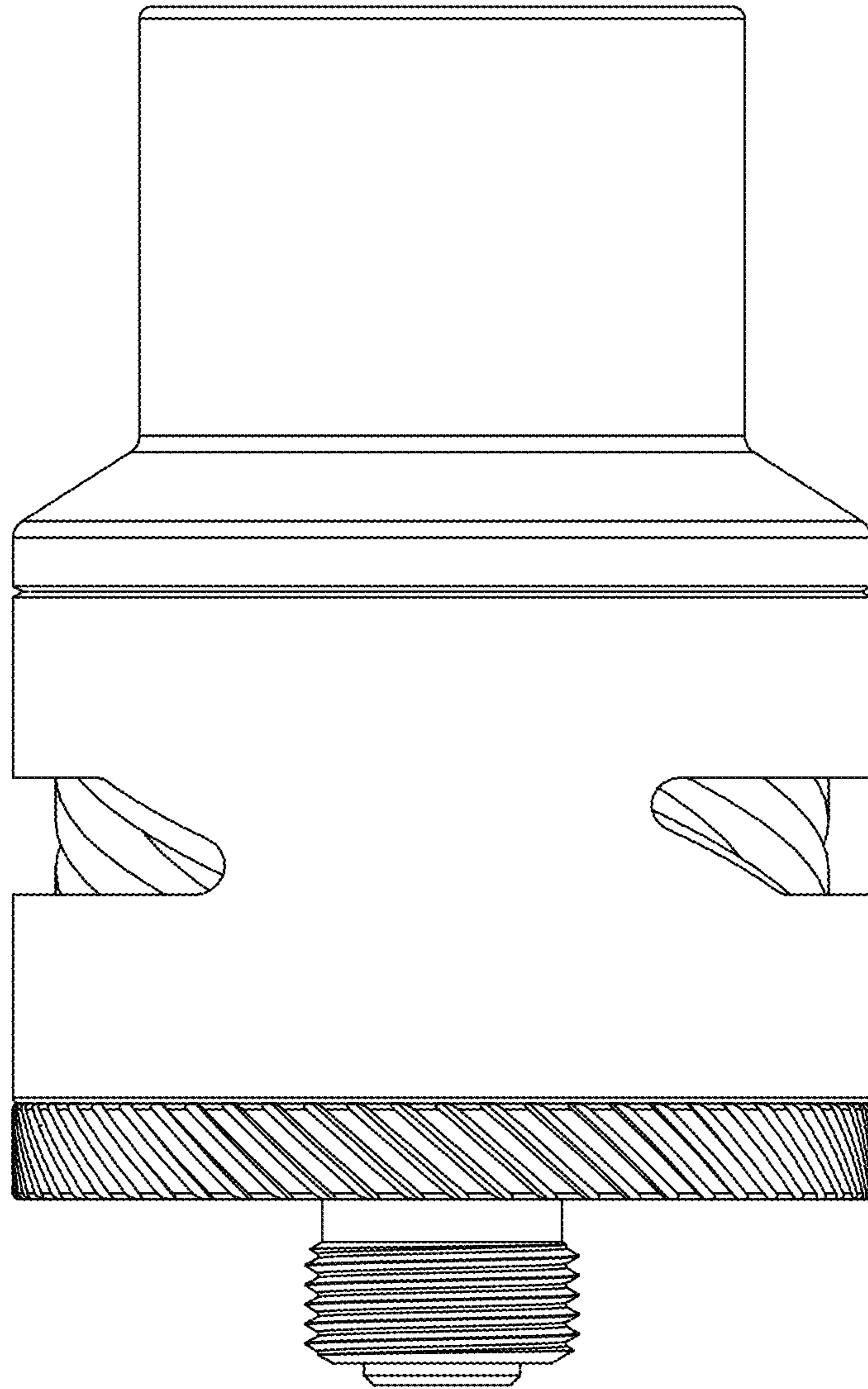


FIG. 3

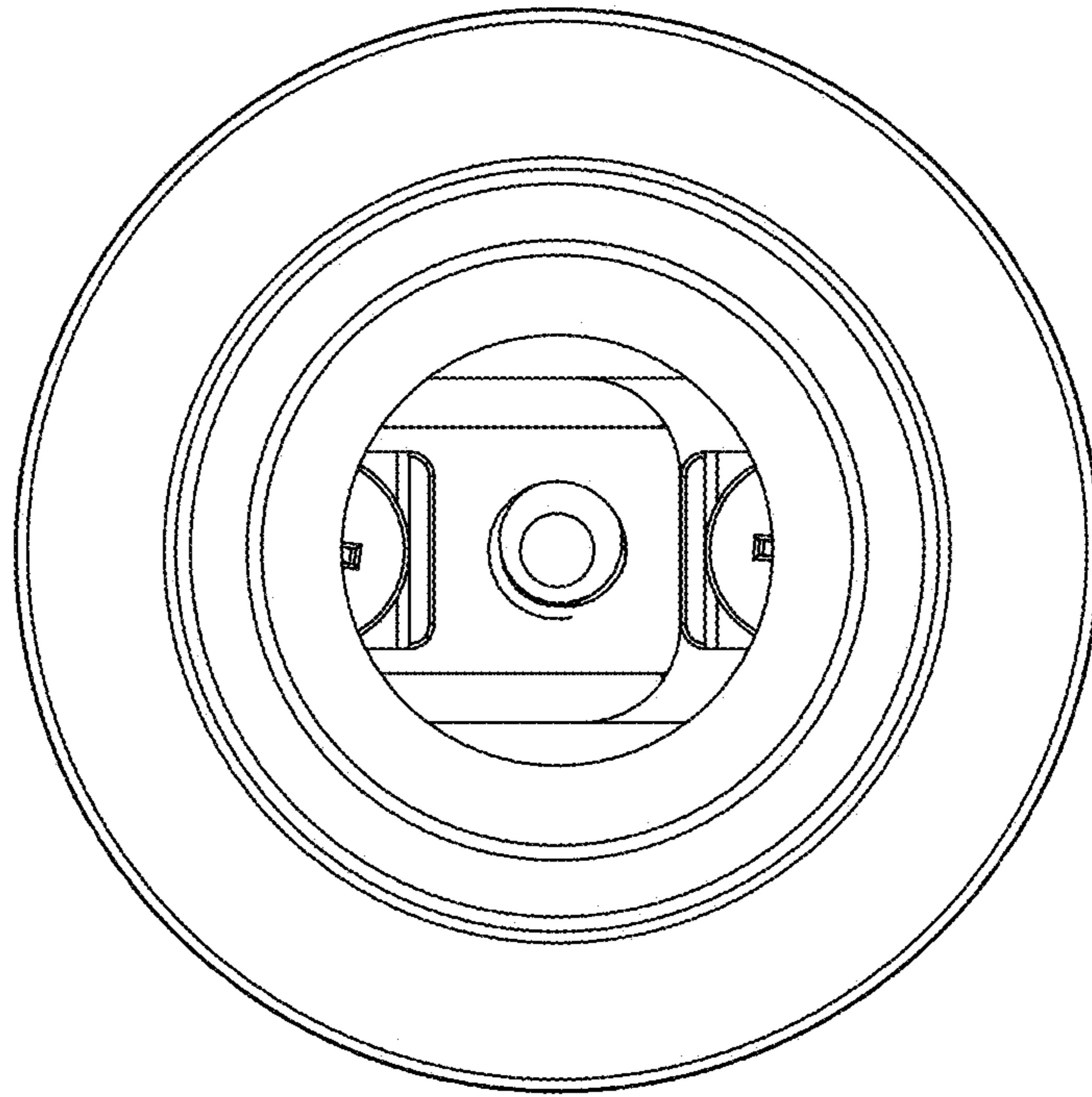


FIG. 4

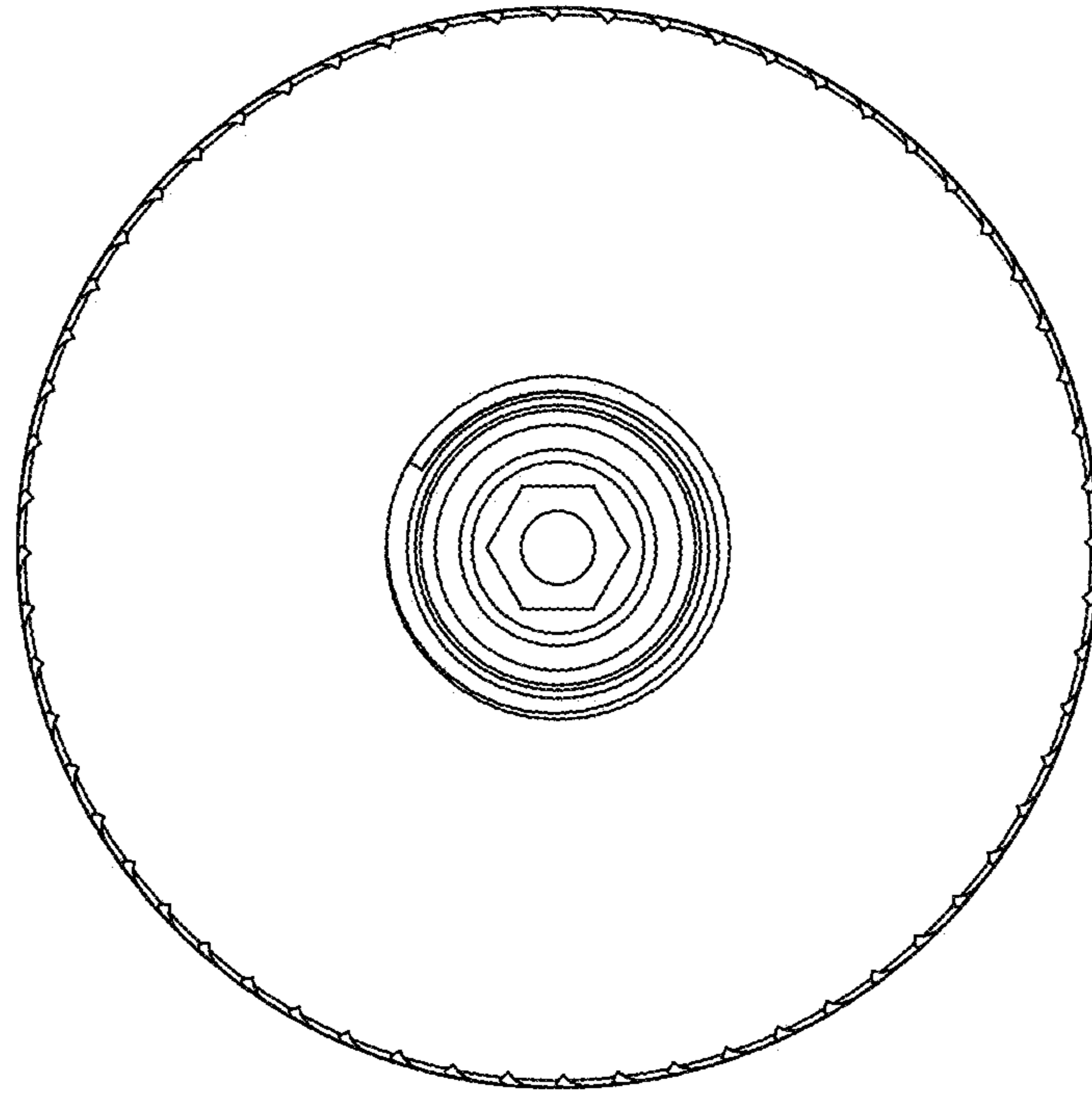


FIG. 5

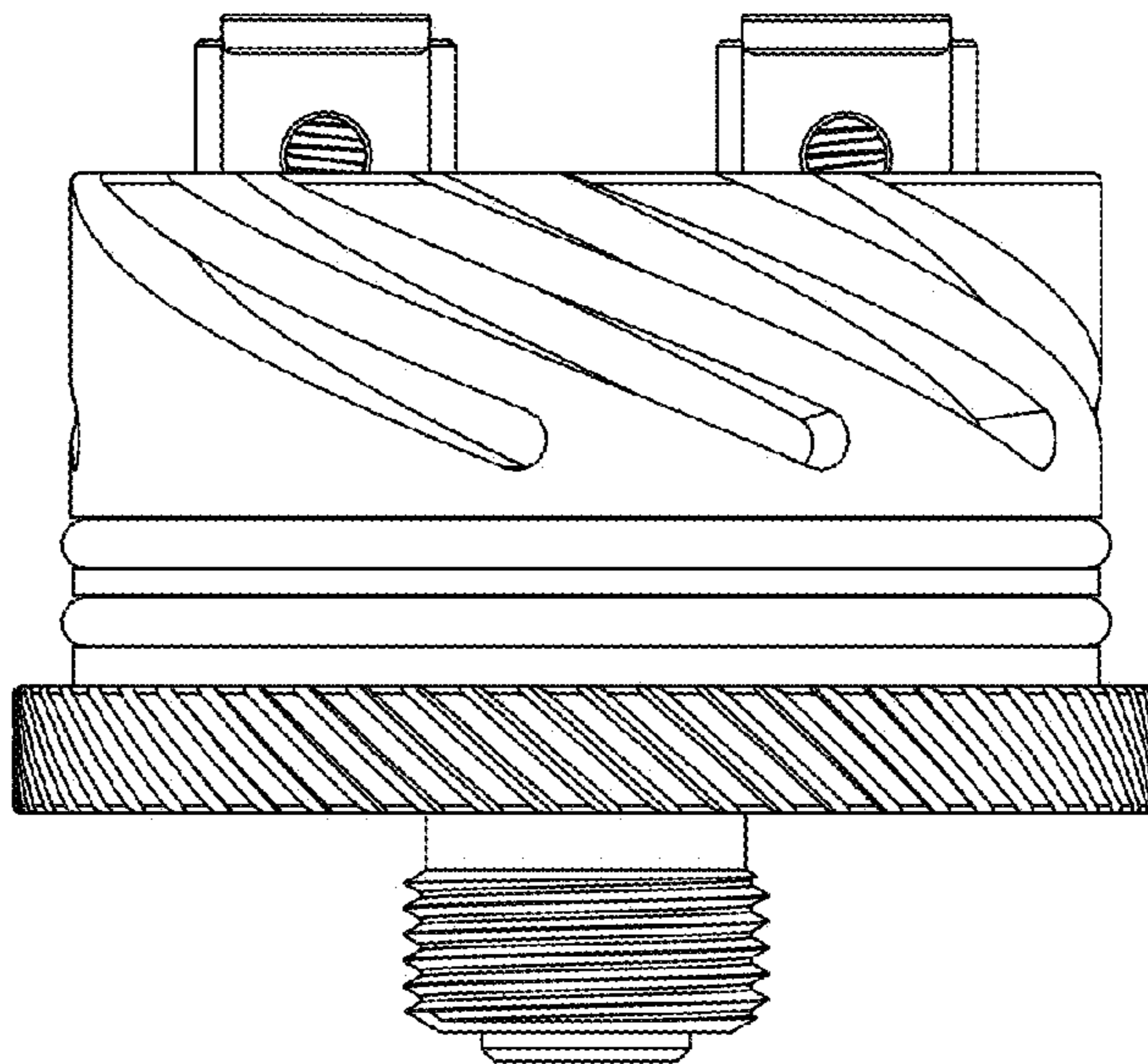
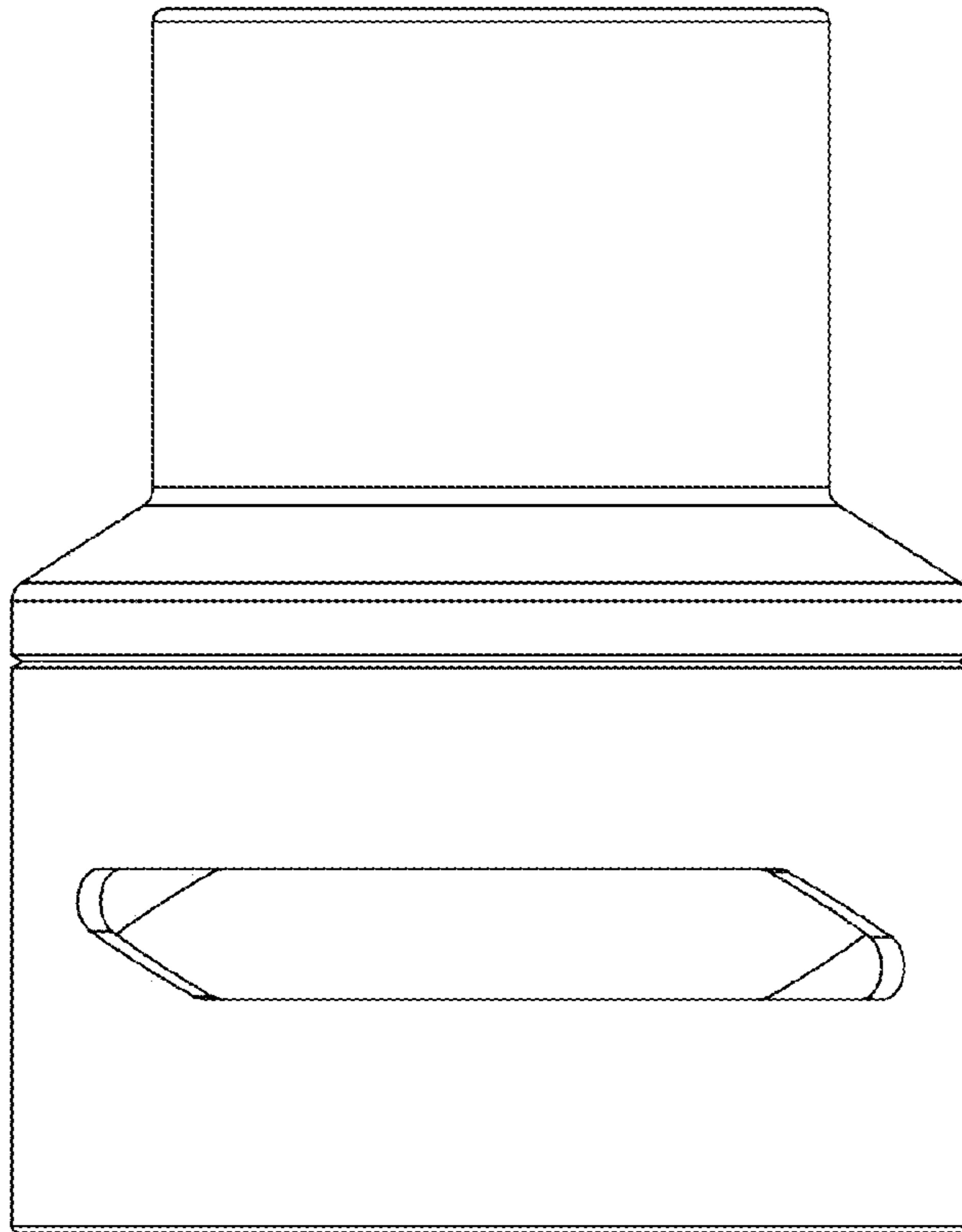


FIG. 6

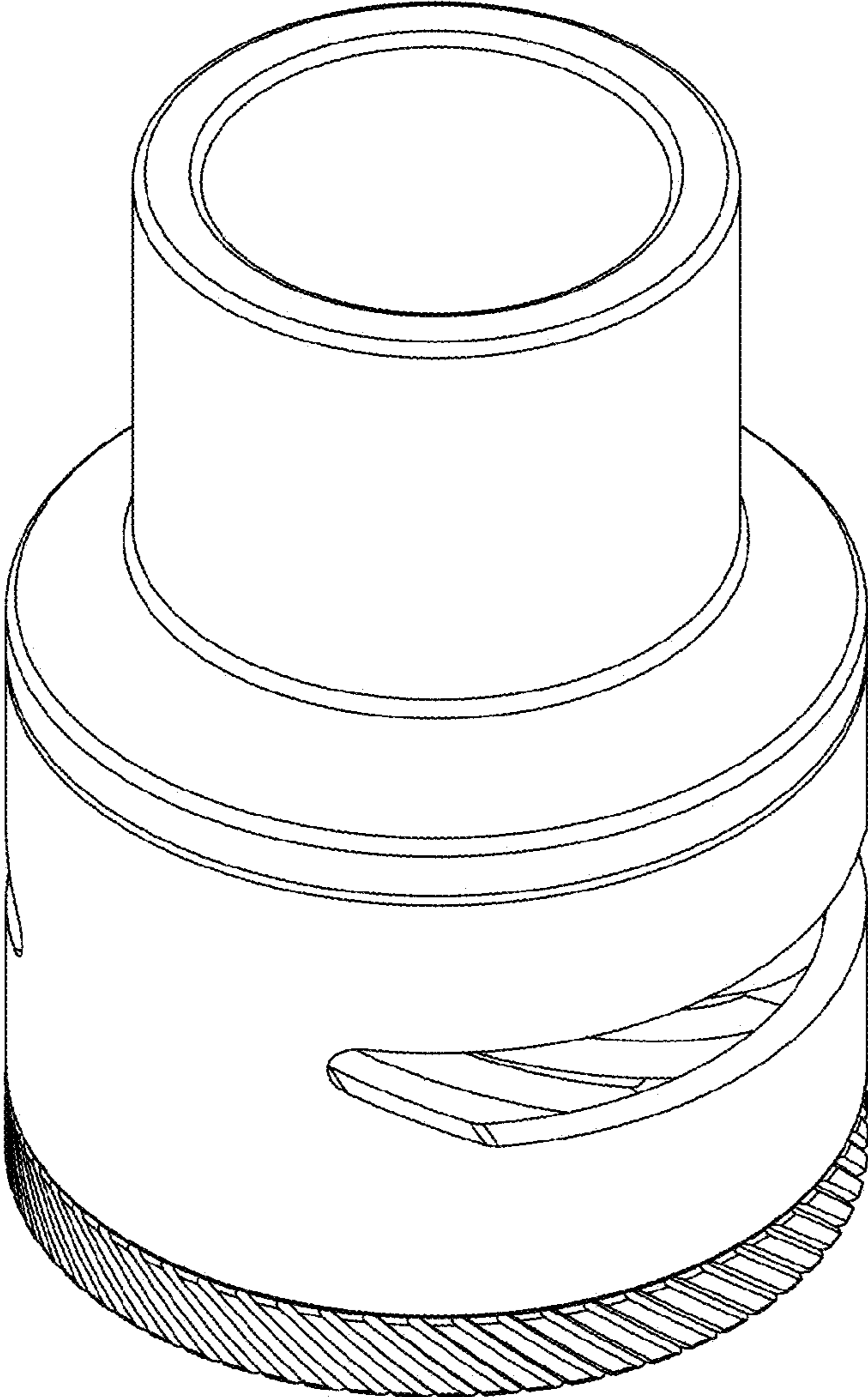


FIG. 7

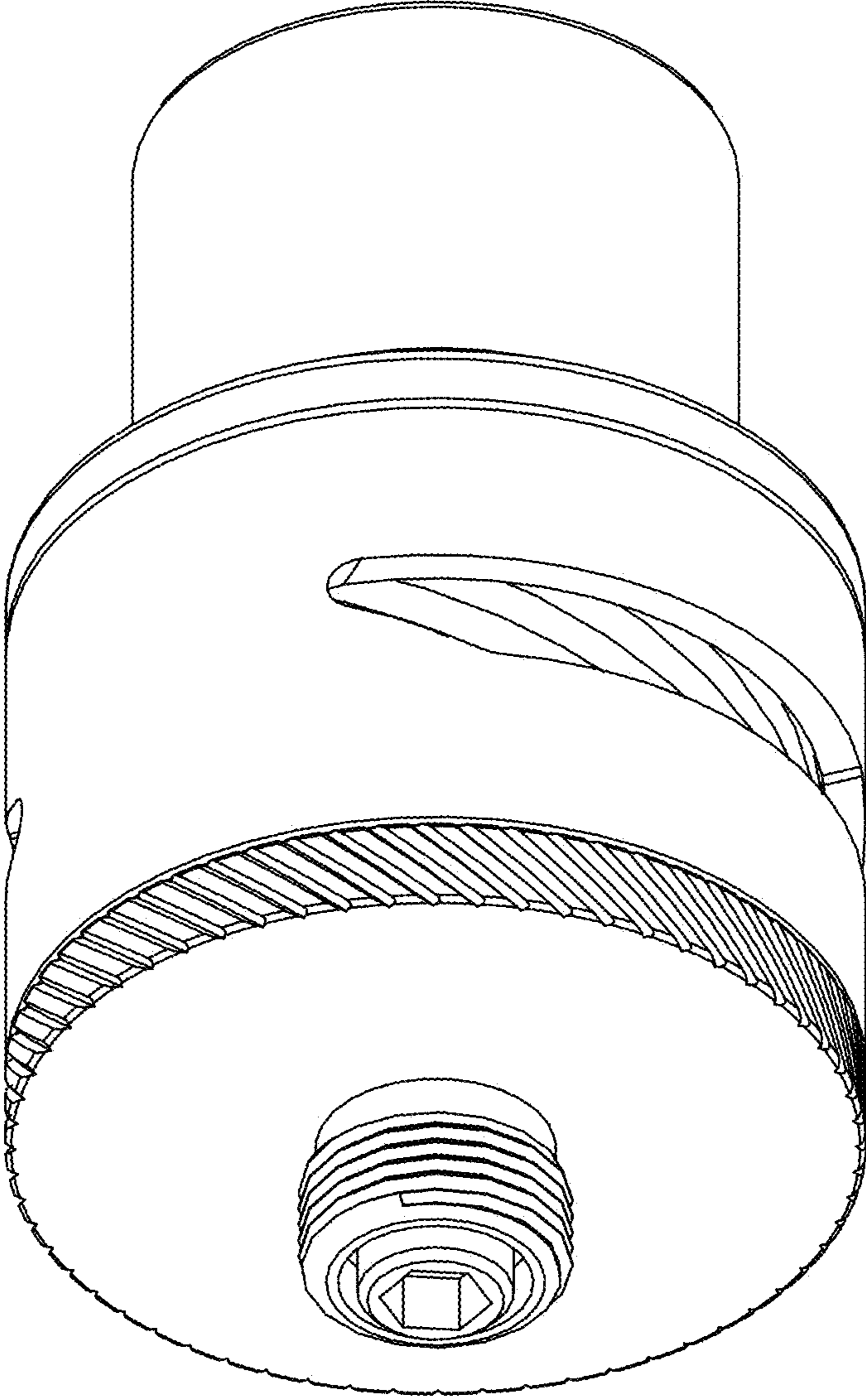


FIG. 8



FIG. 9

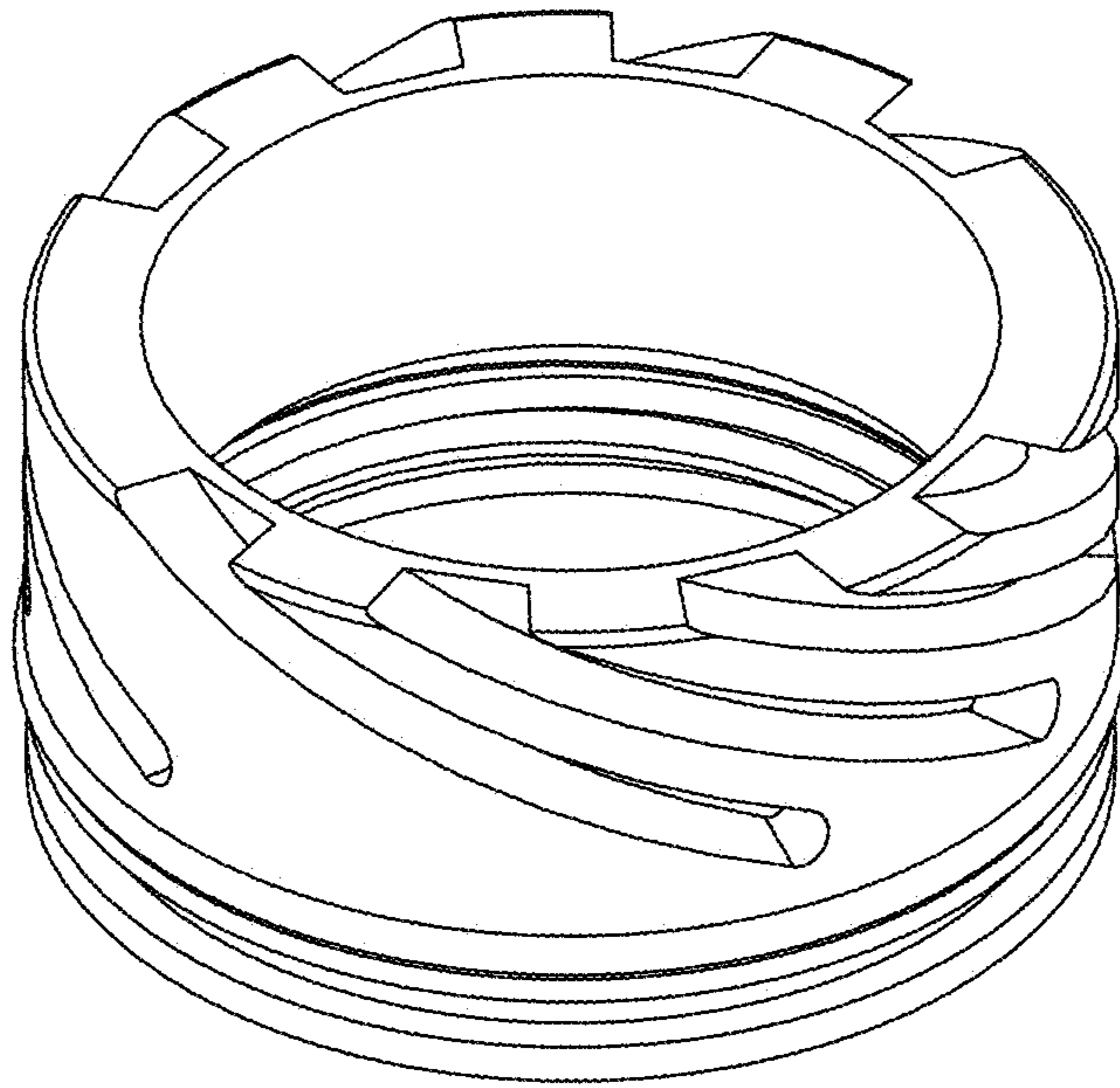


FIG. 10