



US00D740487S

(12) **United States Design Patent**
Nelson et al.

(10) **Patent No.:** **US D740,487 S**
(45) **Date of Patent:** **** Oct. 6, 2015**

- (54) **ANNULUS SHAPED LUMINAIRE**
- (71) Applicant: **ABL IP Holding LLC**, Conyers, GA (US)
- (72) Inventors: **Peter K. Nelson**, Denver, CO (US); **Kevin Franklin Leadford**, Evergreen, CO (US); **Christopher J. Sorensen**, Denver, CO (US); **Christopher D. Slaughter**, Denver, CO (US); **Carl T. Gould**, Golden, CO (US)
- (73) Assignee: **ABL IP HOLDING LLC**, Conyers, GA (US)
- (**) Term: **14 Years**
- (21) Appl. No.: **29/511,572**
- (22) Filed: **Dec. 11, 2014**

Related U.S. Application Data

- (62) Division of application No. 29/488,562, filed on Apr. 21, 2014, now Pat. No. Des. 725,304.
- (51) **LOC (10) Cl.** **26-99**
- (52) **U.S. Cl.**
USPC **D26/153; D26/154**
- (58) **Field of Classification Search**
USPC D26/67-70, 85, 138, 141, 153, 154;
362/145, 152, 153, 431
See application file for complete search history.

(56) **References Cited**

U.S. PATENT DOCUMENTS

- D163,786 S * 7/1951 Black D26/154
- D191,128 S 8/1961 Curtin et al.

(Continued)

OTHER PUBLICATIONS

Hess America, Agena 720 LED Specification, web page retrieved from the internet http://www.hessamerica.com/Products/Lighting/Pole_Mounted_Luminaire/AGENA/, Aug. 19, 2014, 4 pages.

(Continued)

Primary Examiner — Clare E Heflin

(74) *Attorney, Agent, or Firm* — Kilpatrick Townsend & Stockton LLP

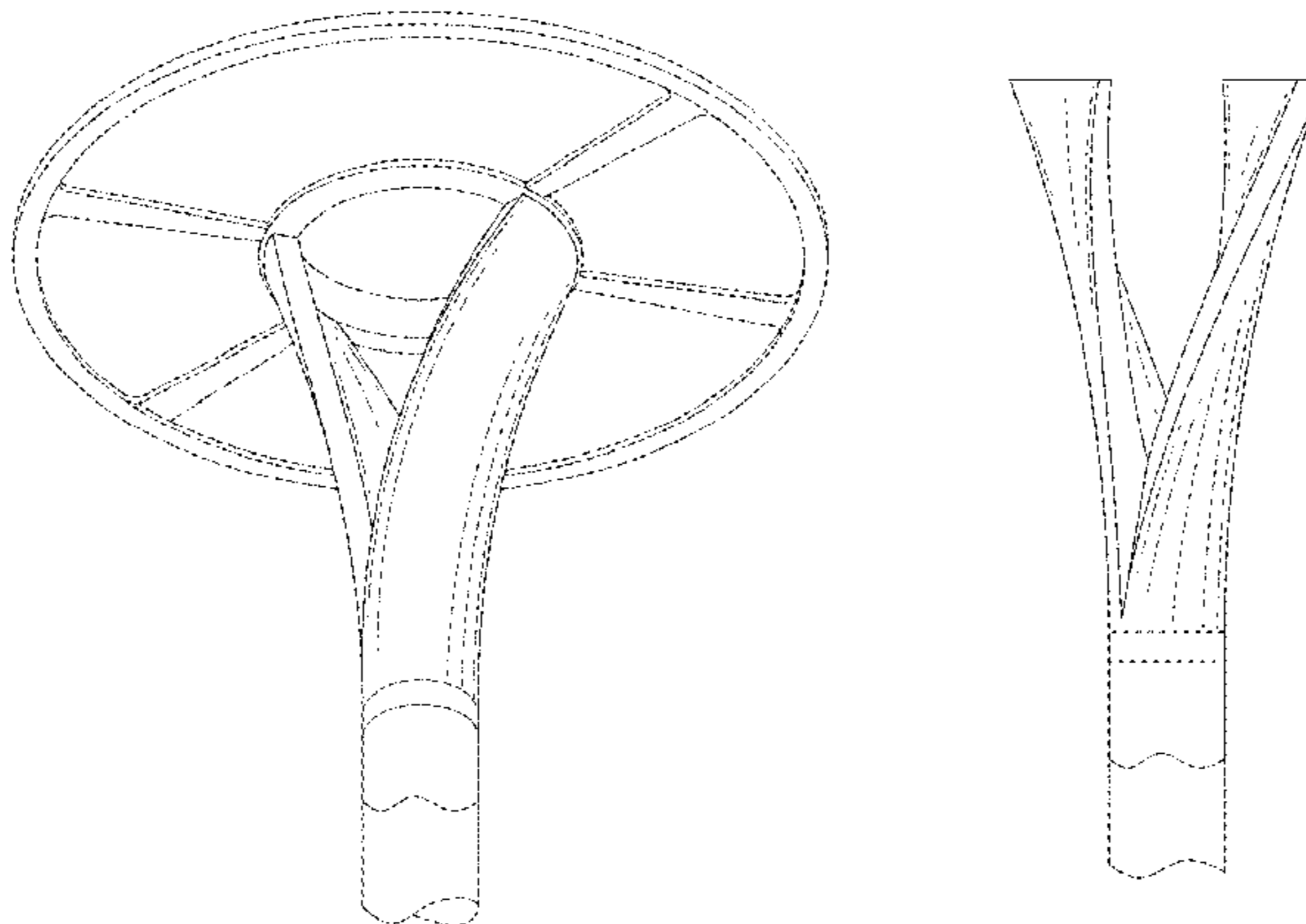
(57) **CLAIM**

The ornamental design for an annulus shaped luminaire, as shown and described.

DESCRIPTION

FIG. 1 is a first perspective view, as seen from below, of the annulus shaped luminaire;
 FIG. 2 is a second perspective view, as seen from below, of the annulus shaped luminaire;
 FIG. 3 is a front side elevation of the annulus shaped luminaire, a back side elevation of the annulus shaped luminaire being a mirror image thereof;
 FIG. 4 is a right side elevation of the annulus shaped luminaire, a left side elevation of the annulus shaped luminaire being a mirror image thereof;
 FIG. 5 is a bottom plan view of the annulus shaped luminaire;
 FIG. 6 is a top plan view of the annulus shaped luminaire;
 FIG. 7 is the first perspective view of FIG. 1 of the annulus shaped luminaire, with environmental structure removed for clarity;
 FIG. 8 is the second perspective view of FIG. 2 of the annulus shaped luminaire, with environmental structure removed for clarity;
 FIG. 9 is the front side elevation of FIG. 3 of the annulus shaped luminaire, with environmental structure removed for clarity;
 FIG. 10 is the right side elevation of FIG. 4 of the annulus shaped luminaire, with environmental structure removed for clarity;
 FIG. 11 is the bottom plan view of FIG. 5 of the annulus shaped luminaire, with environmental structure removed for clarity; and,
 FIG. 12 is the top plan view of FIG. 6 of the annulus shaped luminaire, with environmental structure removed for clarity. Portions or features of the annulus shaped luminaire not shown in the drawings form no part of the claimed design. Broken lines indicate environmental structure that forms no part of the claimed design.

1 Claim, 12 Drawing Sheets



(56)

References Cited

U.S. PATENT DOCUMENTS

D192,125 S 1/1962 Lasker
 D199,077 S 9/1964 Turner et al.
 D199,078 S 9/1964 Turner et al.
 D199,999 S 1/1965 Simon
 D200,001 S 1/1965 Simon
 D200,214 S 2/1965 Simon
 3,218,446 A 11/1965 Langer
 D341,221 S 11/1993 Elazari
 D389,946 S * 1/1998 Hutton D26/110
 D407,842 S 4/1999 Landefeld
 6,443,582 B1 9/2002 Tarne et al.
 D467,032 S * 12/2002 Konkle D26/153
 D487,034 S * 2/2004 Lach D11/131
 D505,639 S * 5/2005 Lach D11/131
 7,160,010 B1 1/2007 Chinniah et al.
 D571,494 S 6/2008 Friedman et al.
 D571,496 S 6/2008 Lenz
 D574,103 S 7/2008 Minami et al.
 D578,694 S 10/2008 Zeng et al.
 D583,494 S 12/2008 Friedman et al.
 D591,884 S 5/2009 Tortel
 D597,696 S 8/2009 Sabernig
 D599,496 S 9/2009 Lodhie
 D599,935 S 9/2009 van Klinken
 D601,291 S 9/2009 Nankil
 D614,789 S 4/2010 van Klinken
 D615,682 S 5/2010 van Klinken
 D616,130 S 5/2010 Tortel
 D623,337 S 9/2010 Zheng
 D624,228 S 9/2010 Nankil
 D627,910 S 11/2010 Fazzari
 D652,976 S 1/2012 Soto et al.
 D672,074 S 12/2012 Compton
 D679,042 S 3/2013 Yu
 D709,244 S * 7/2014 Drake D26/153
 D725,304 S 3/2015 Nelson et al.
 D725,305 S 3/2015 Nelson et al.
 2009/0129121 A1 5/2009 Yoneda
 2009/0316436 A1 12/2009 Takahashi et al.

2010/0014290 A1 1/2010 Wilcox
 2013/0003409 A1 1/2013 Vissenberg et al.
 2013/0201683 A1 8/2013 Kirchberger et al.

OTHER PUBLICATIONS

Hess America, Avalon 650 Specification, web page retrieved from the internet http://www.hessamerica.com/Products/Lighting/Pole_Mounted_Luminaire/AVALON/, Aug. 19, 2014, 4 pages.
 Louis Poulsen Lighting, Albertslund Maxi Post Product Specification, web page retrieved from www.louispoulsen.com on Aug. 19, 2014, 3 pages.
 Selux, Astro 2- flat glass SX 1182 11-9, web page retrieved from www.selux.com on Aug. 19, 2014 bearing copyright date of Apr. 2014, 2 pages.
 Selux, Saturn 5 SX 470 72-9, web page retrieved from www.selux.com on Aug. 19, 2014 bearing copyright date of Sep. 2013, 2 pages.
 Selux, Exterior catalogue, (selected pages) retrieved from www.selux.com on Aug. 27, 2014 bearing copyright date of 2014, pt. 1, 28 pages.
 Selux, Exterior catalogue, (selected pages) retrieved from www.selux.com on Aug. 27, 2014 bearing copyright date of 2014, pt. 2, 27 pages.
 Selux, Exterior catalogue, (selected pages) retrieved from www.selux.com on Aug. 27, 2014 bearing copyright date of 2014, pt. 3, 32 pages.
 Selux, Exterior catalogue, (selected pages) retrieved from www.selux.com on Aug. 27, 2014 bearing copyright date of 2014, pt. 4, 23 pages.
 Lithonia Lighting, Ratio Post Top 1.52 TLPRO152 LED Area Luminaire, web page retrieved from www.lithonia.com on Aug. 19, 2014 bearing copyright date of 2013, 3 pages.
 Notice of Allowance for U.S. Appl. No. 29/488,564, mailed Nov. 10, 2014.
 Notice of Allowance for U.S. Appl. No. 29/488,562, mailed Nov. 14, 2014.
 Non-Final Office Action for U.S. Appl. No. 14/257,585, mailed May 22, 2015.

* cited by examiner

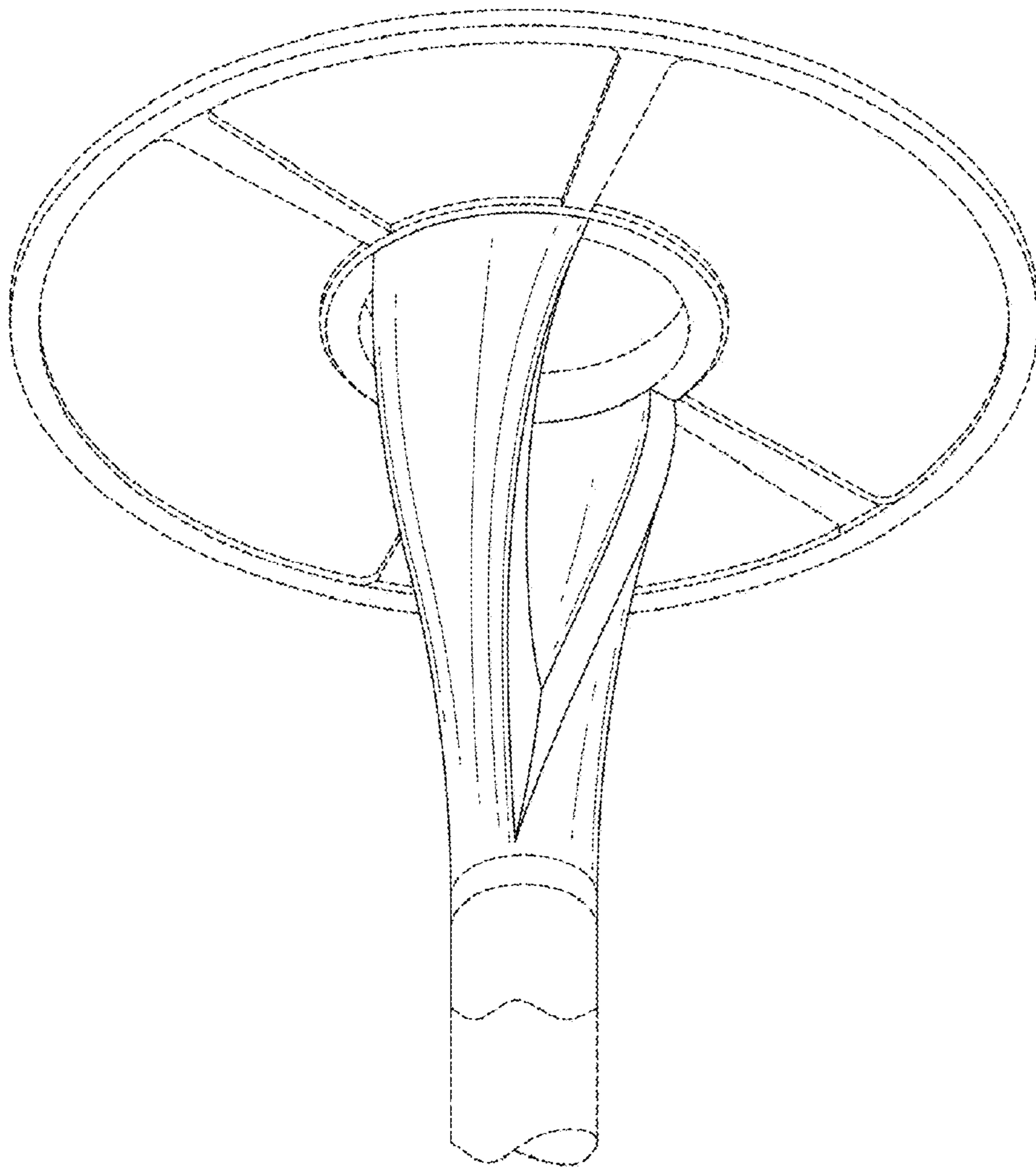


FIG. 1

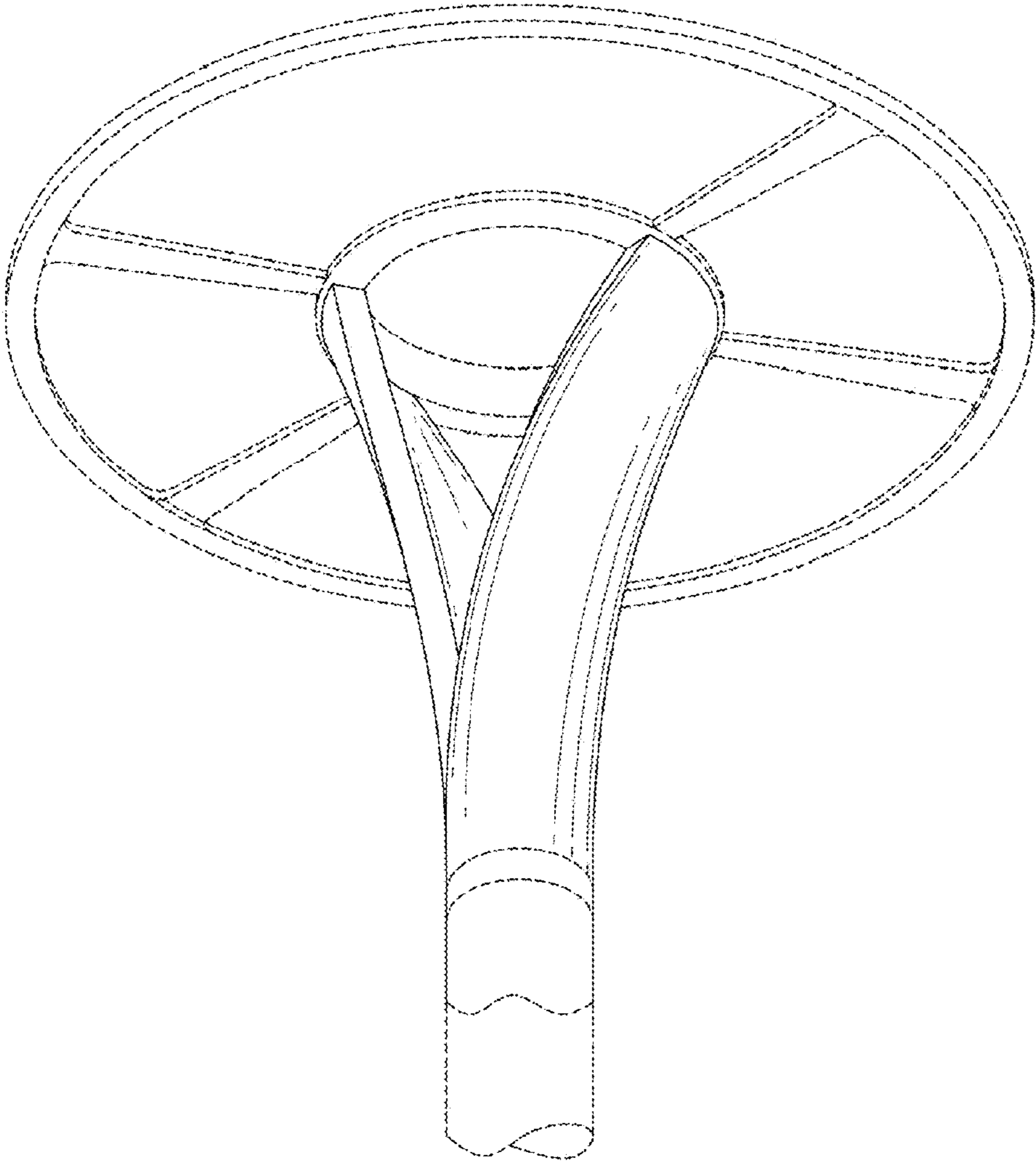


FIG. 2

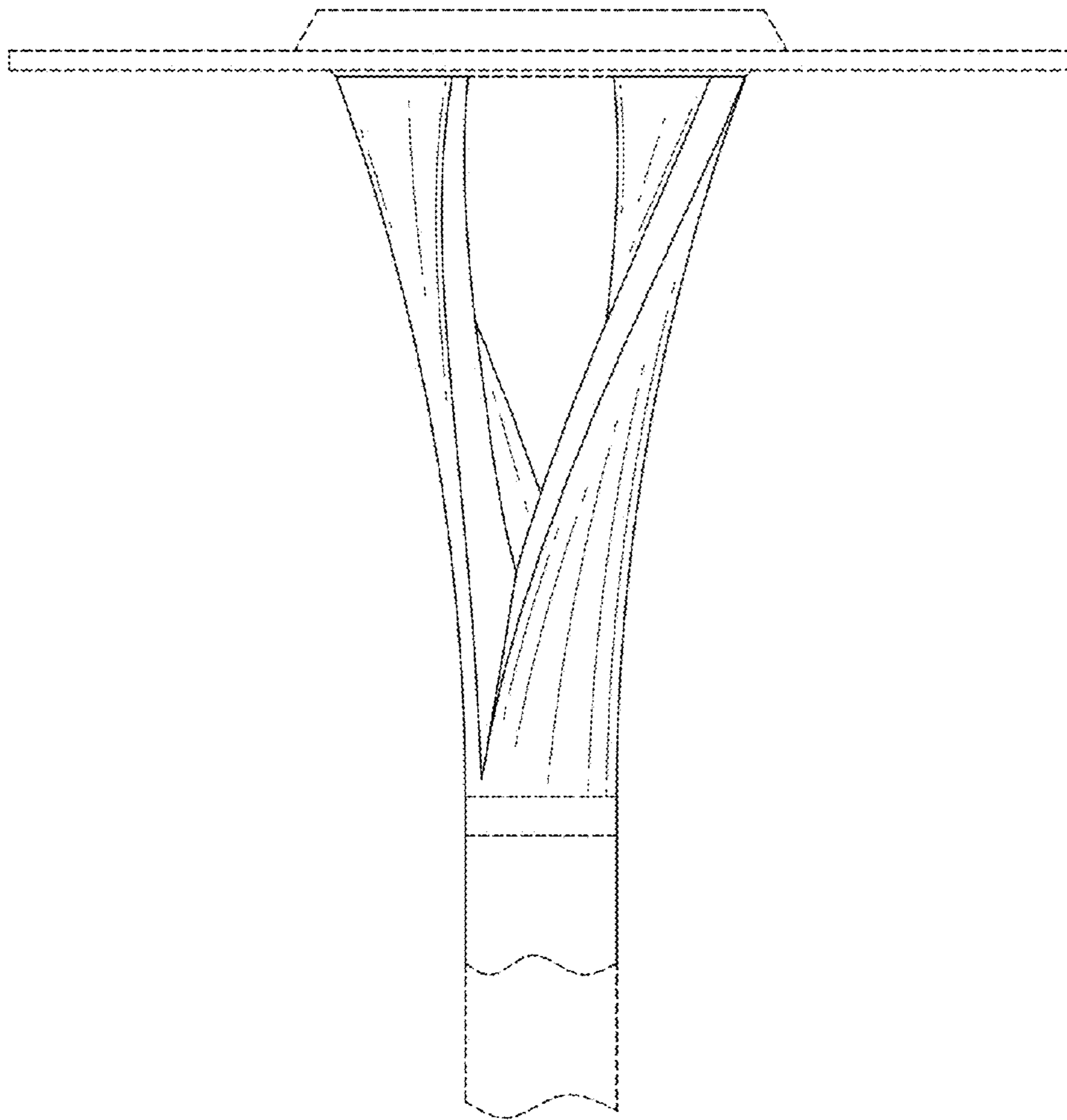


FIG. 3

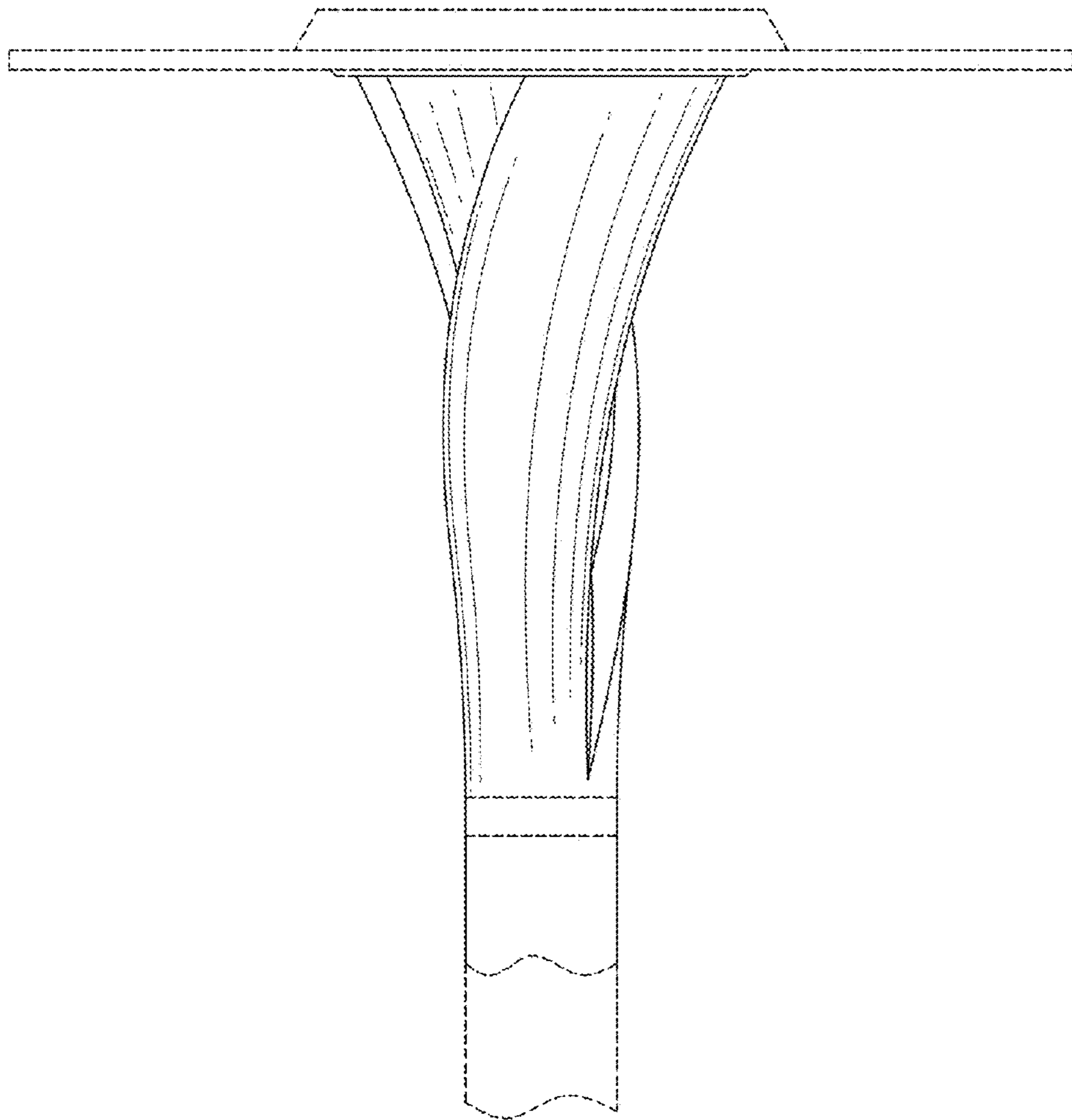


FIG.4

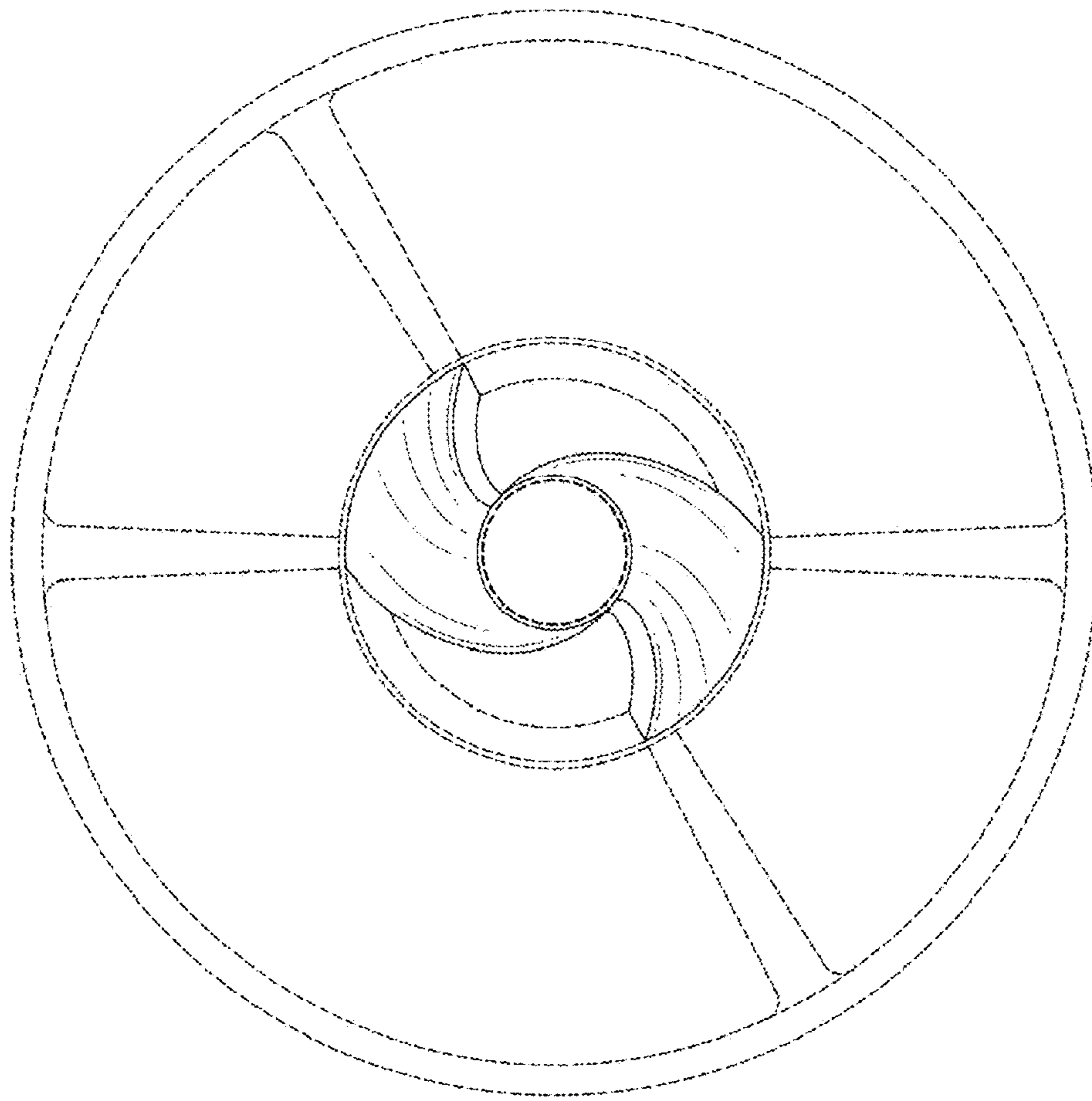


FIG. 5

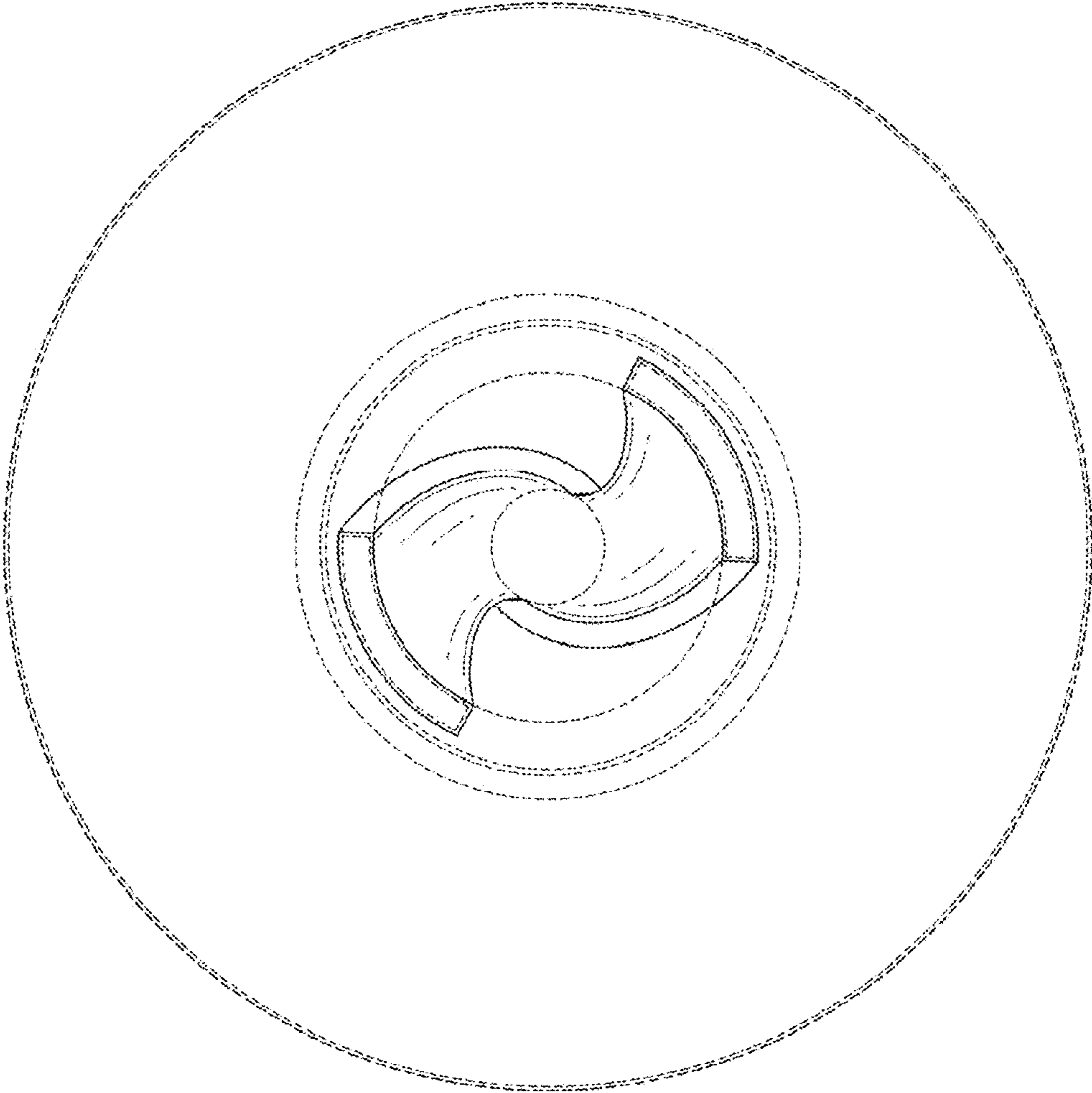


FIG. 6

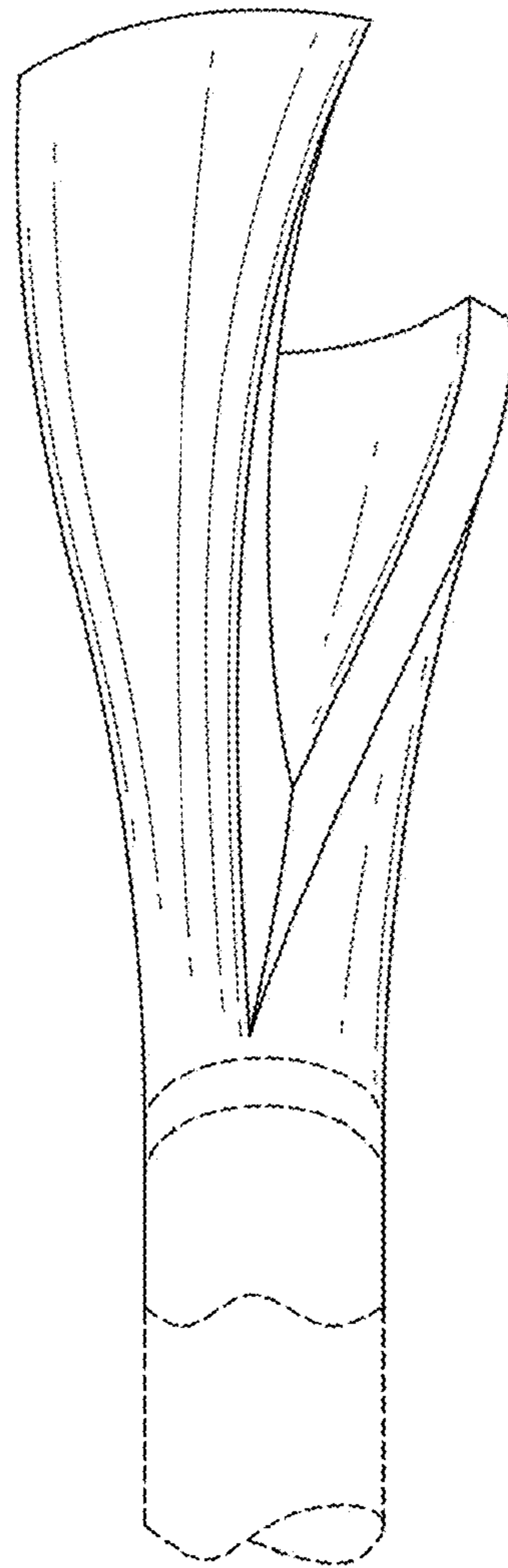


FIG. 7

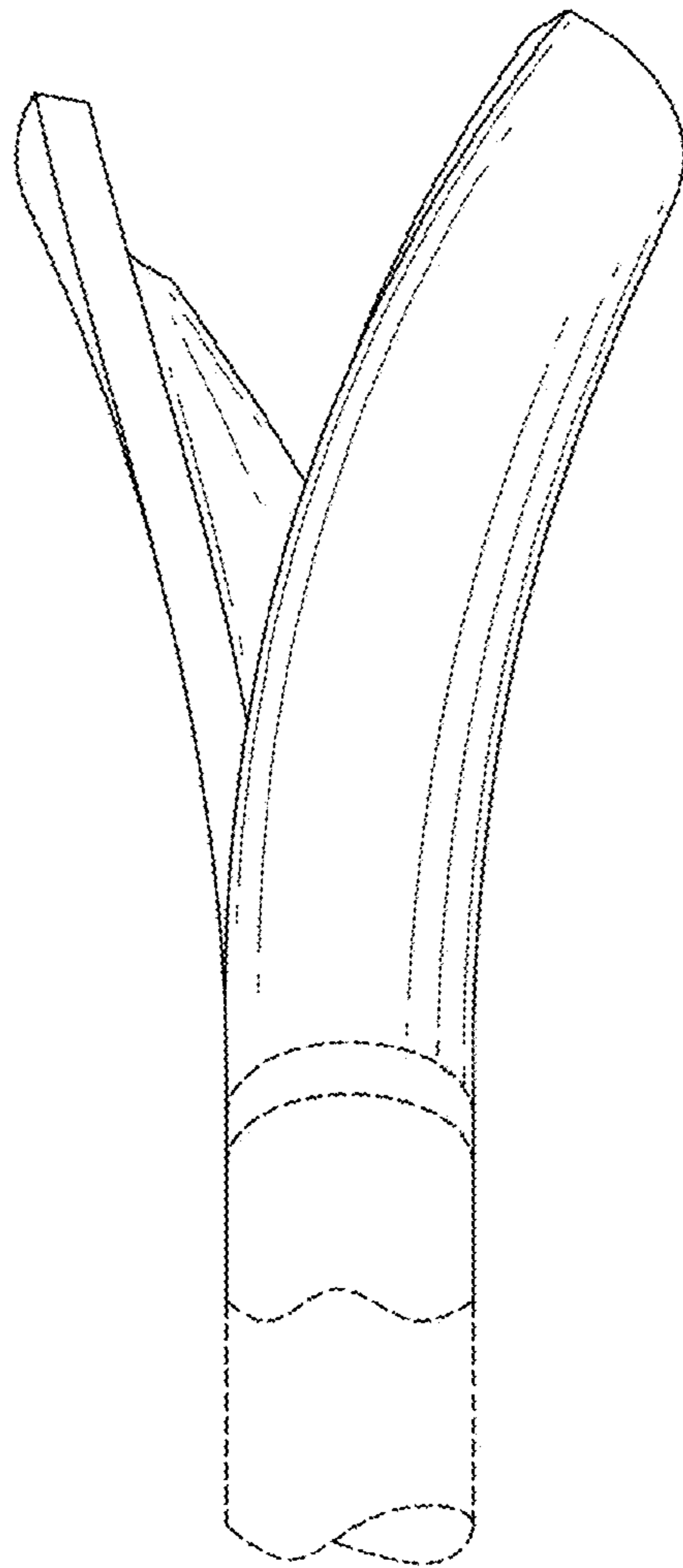


FIG.8

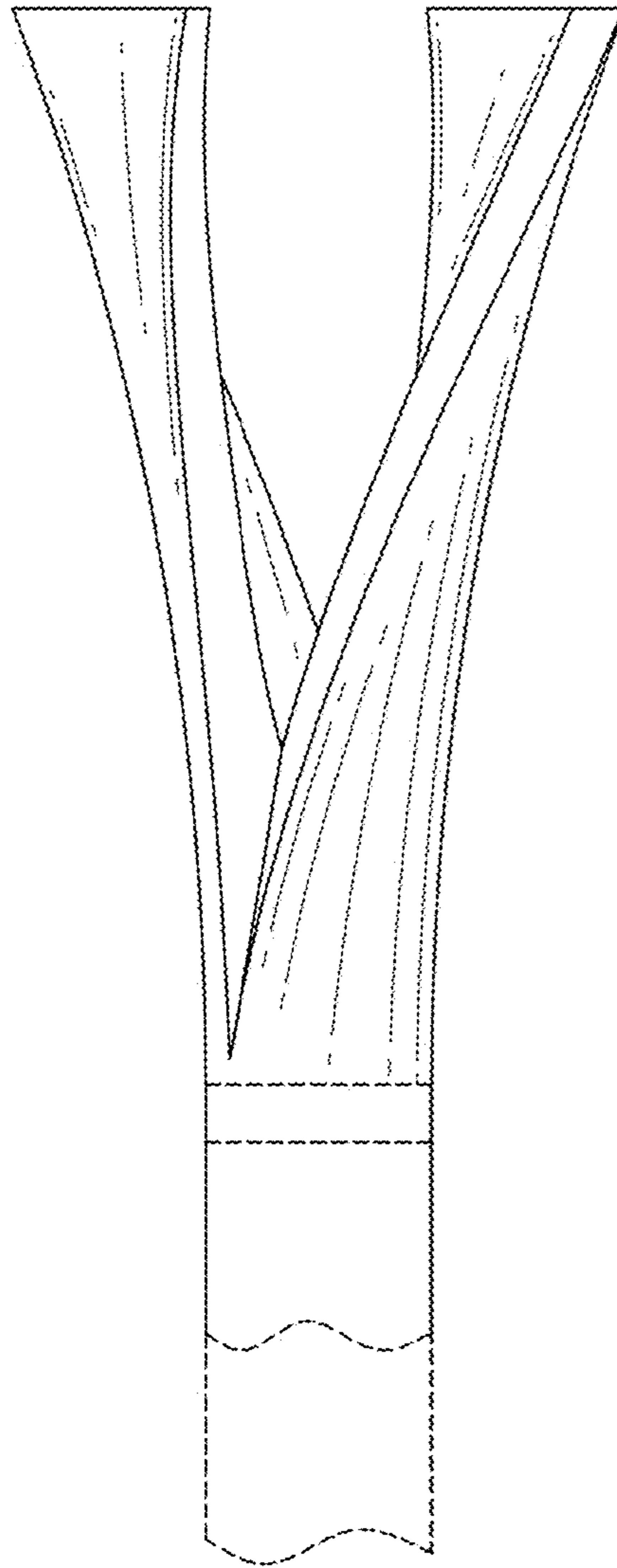


FIG. 9

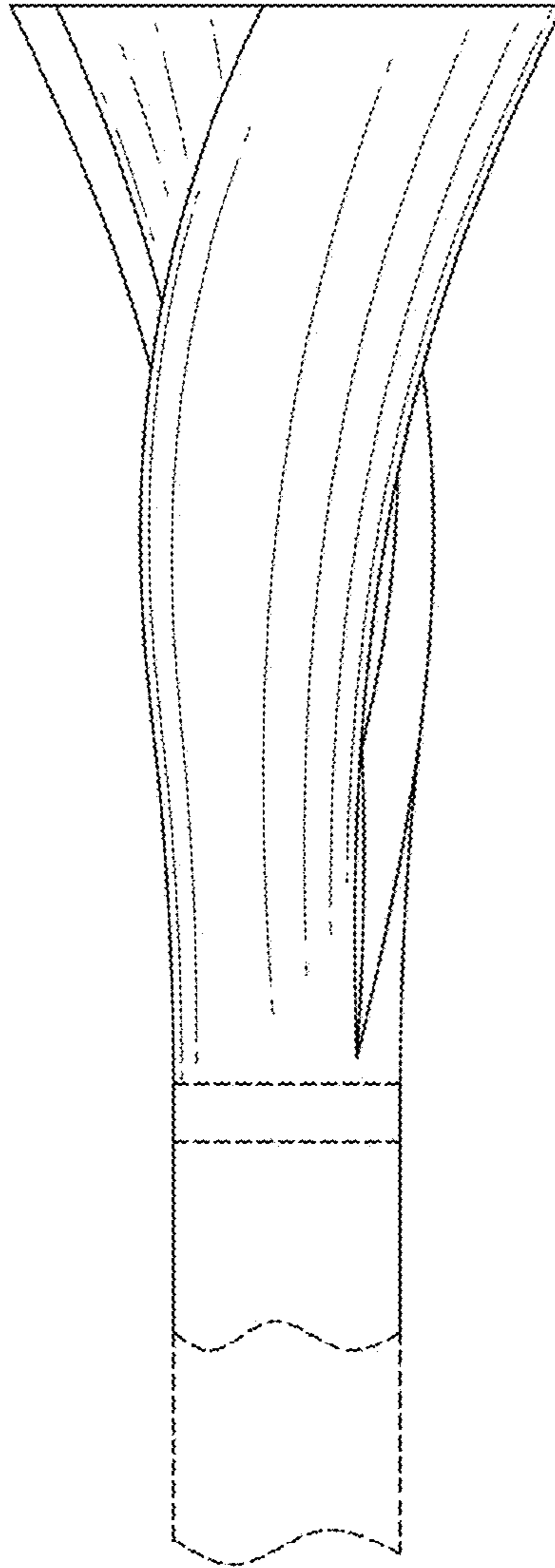


FIG. 10

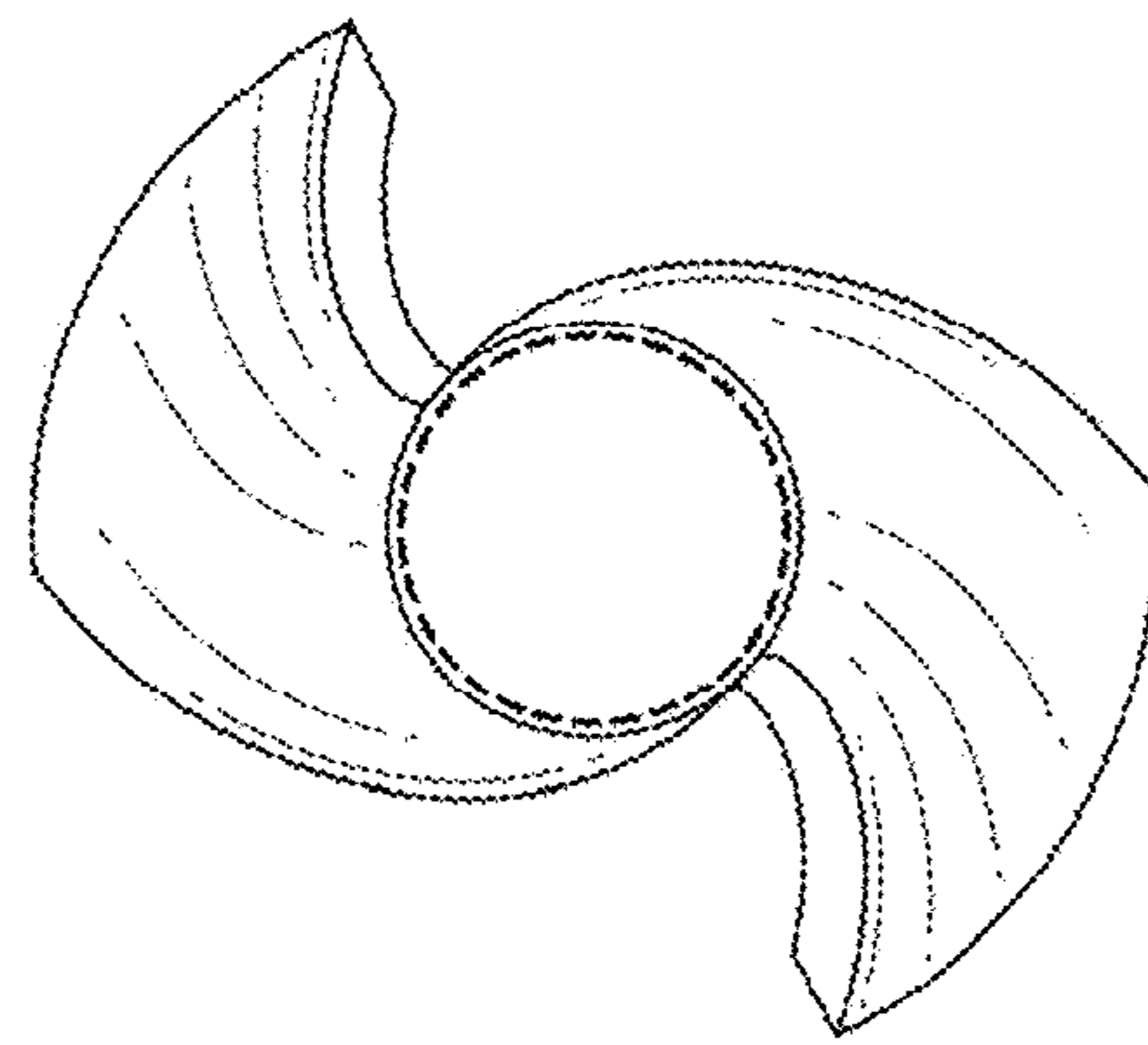


FIG. 11

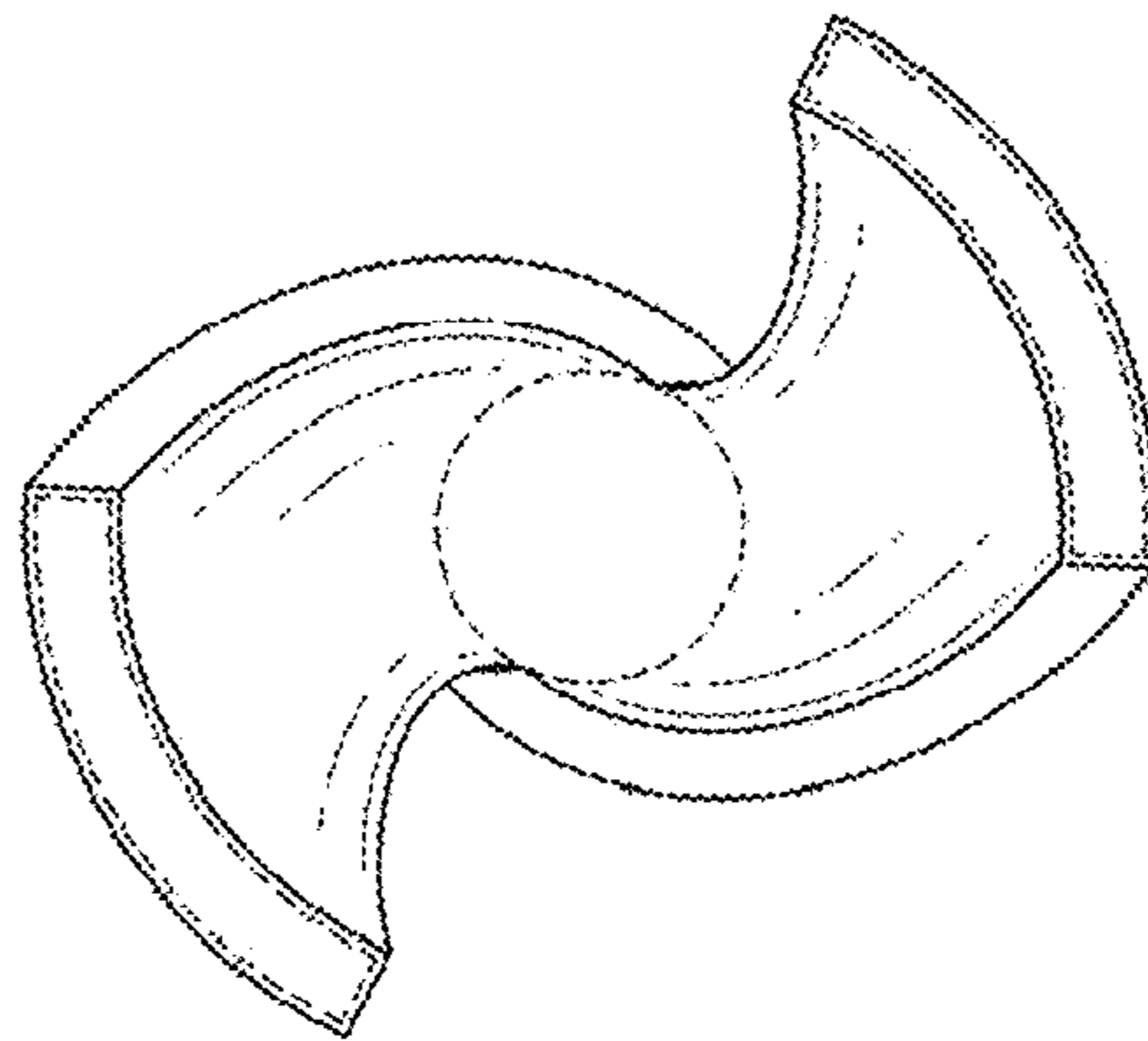


FIG. 12