



US00D740479S

(12) **United States Design Patent**
Beno et al.

(10) **Patent No.:** **US D740,479 S**

(45) **Date of Patent:** **** Oct. 6, 2015**

(54) **LUMINAIRE**

(71) Applicant: **ABL IP Holding, LLC**, Conyers, GA (US)

(72) Inventors: **Jimalee Beno**, Alameda, CA (US);
Nicholas R. Trincia, San Francisco, CA (US); **Hue Ly**, Richmond, CA (US)

(73) Assignee: **ABL IP Holding, LLC**, Conyers, GA (US)

(**) Term: **14 Years**

(21) Appl. No.: **29/492,129**

(22) Filed: **May 28, 2014**

(51) **LOC (10) Cl.** **26-03**

(52) **U.S. Cl.**
USPC **D26/90; D26/118**

(58) **Field of Classification Search**
USPC D26/76, 80, 86, 88, 90, 91, 118, 120
CPC F21S 8/06; F21S 8/061; F21S 8/063;
F21S 8/065; F21S 8/068; F21V 5/007; F21V
5/005; F21V 5/008
See application file for complete search history.

(56) **References Cited**

U.S. PATENT DOCUMENTS

D110,198 S *	6/1938	Stewart	D26/78
D201,986 S *	8/1965	Wince	D26/122
D499,834 S *	12/2004	Yu et al.	D26/118
D536,819 S *	2/2007	Krahe, II	D26/75
D605,329 S *	12/2009	Watt et al.	D26/76
D629,553 S *	12/2010	Gielen	D26/76
7,845,838 B2 *	12/2010	Kuo et al.	362/552
D638,982 S	5/2011	Friedman		
D646,820 S *	10/2011	Wauters	D26/63
8,613,525 B2 *	12/2013	Shimizu et al.	362/218
D727,554 S *	4/2015	Clark et al.	D26/90
D731,700 S *	6/2015	Santoro et al.	D26/118
D735,392 S *	7/2015	Ng et al.	D26/76
2005/0157500 A1 *	7/2005	Chen et al.	362/294

OTHER PUBLICATIONS

Peerless Lighting, "6"x6" Rectangular: Softshine Optics Chalkboard Light", Product Brochure, 1993, Berkeley CA.
Peerless Lighting, "8" & 10" Rectangular Systems", Product Brochure, 1993, Berkeley CA.
Peerless Lighting, "6" Rectangular Systems", Product Brochure, 1993, Berkeley CA.

* cited by examiner

Primary Examiner — Clare E Heflin

(74) *Attorney, Agent, or Firm* — Beeson Skinner Beverly, LLP

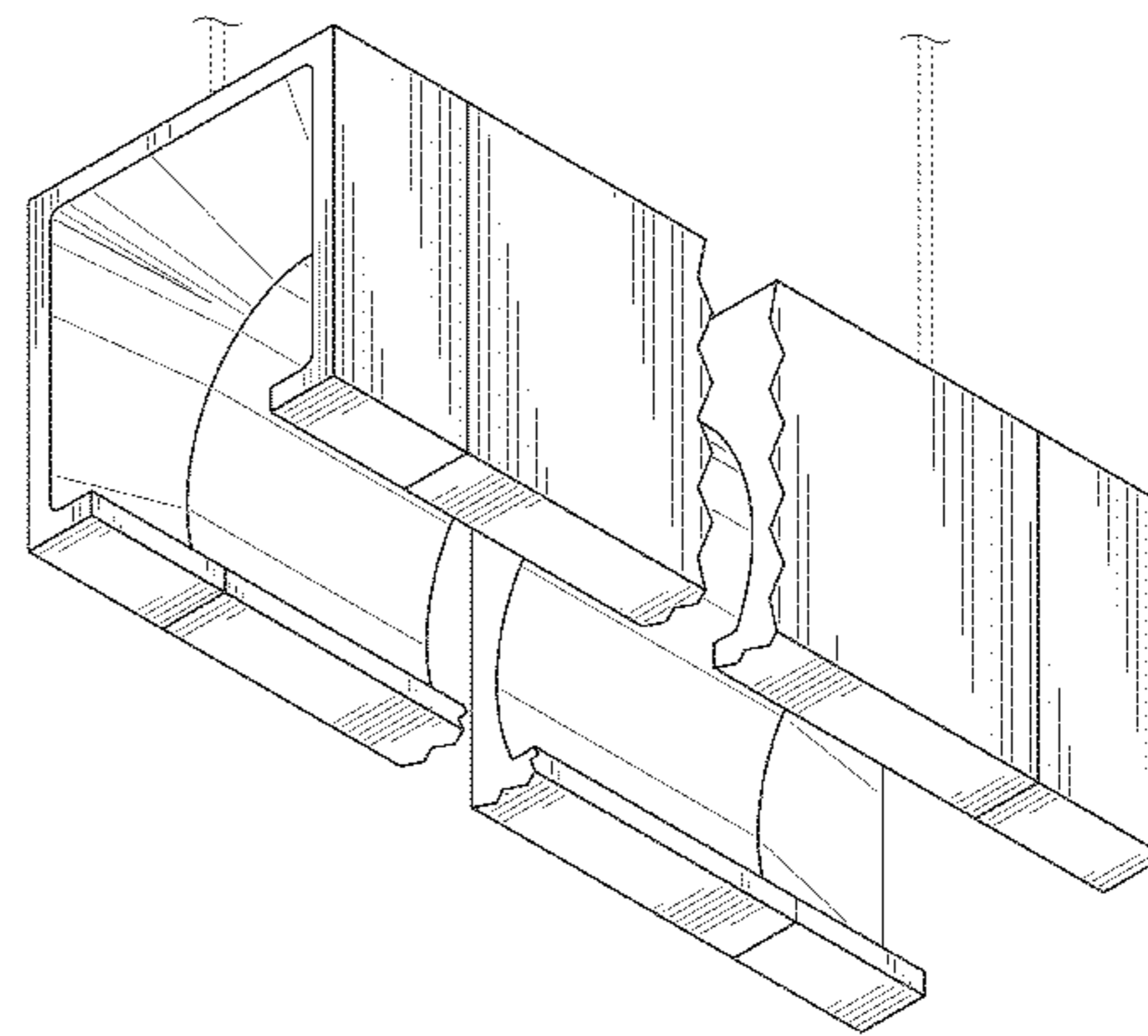
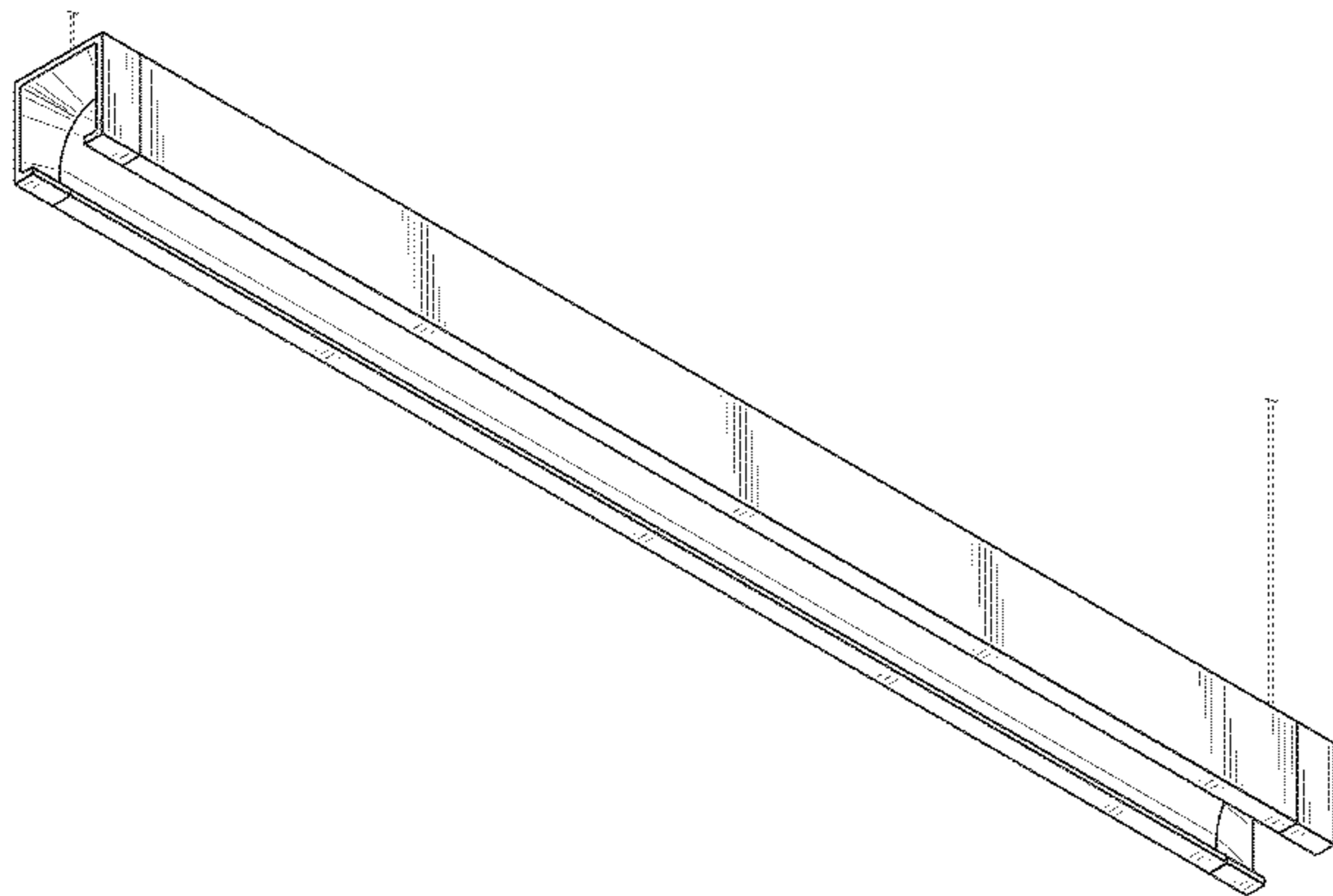
(57) **CLAIM**

The ornamental design for a luminaire, as shown and described.

DESCRIPTION

FIG. 1 is a bottom perspective view of a luminaire showing our new design;
FIG. 2 is an end elevational view thereof, the other end being a mirror image;
FIG. 3 is a right side elevational view thereof, the left side being a mirror image;
FIG. 4 is a top plan view thereof;
FIG. 5 is a bottom plan view thereof;
FIG. 6 is an enlarged bottom perspective view thereof;
FIG. 7 is an enlarged end elevational view thereof;
FIG. 8 is an enlarged right side elevational view thereof;
FIG. 9 is an enlarged top plan view thereof; and,
FIG. 10 is an enlarged bottom plan view thereof.
The broken lines shown in FIGS. 1-4 and 6-9 represent suspension cables that form no part of the claimed design. The fixture is shown broken away in FIGS. 6-10 to represent a continuation of the design uniformly along a non-specific length.

1 Claim, 5 Drawing Sheets



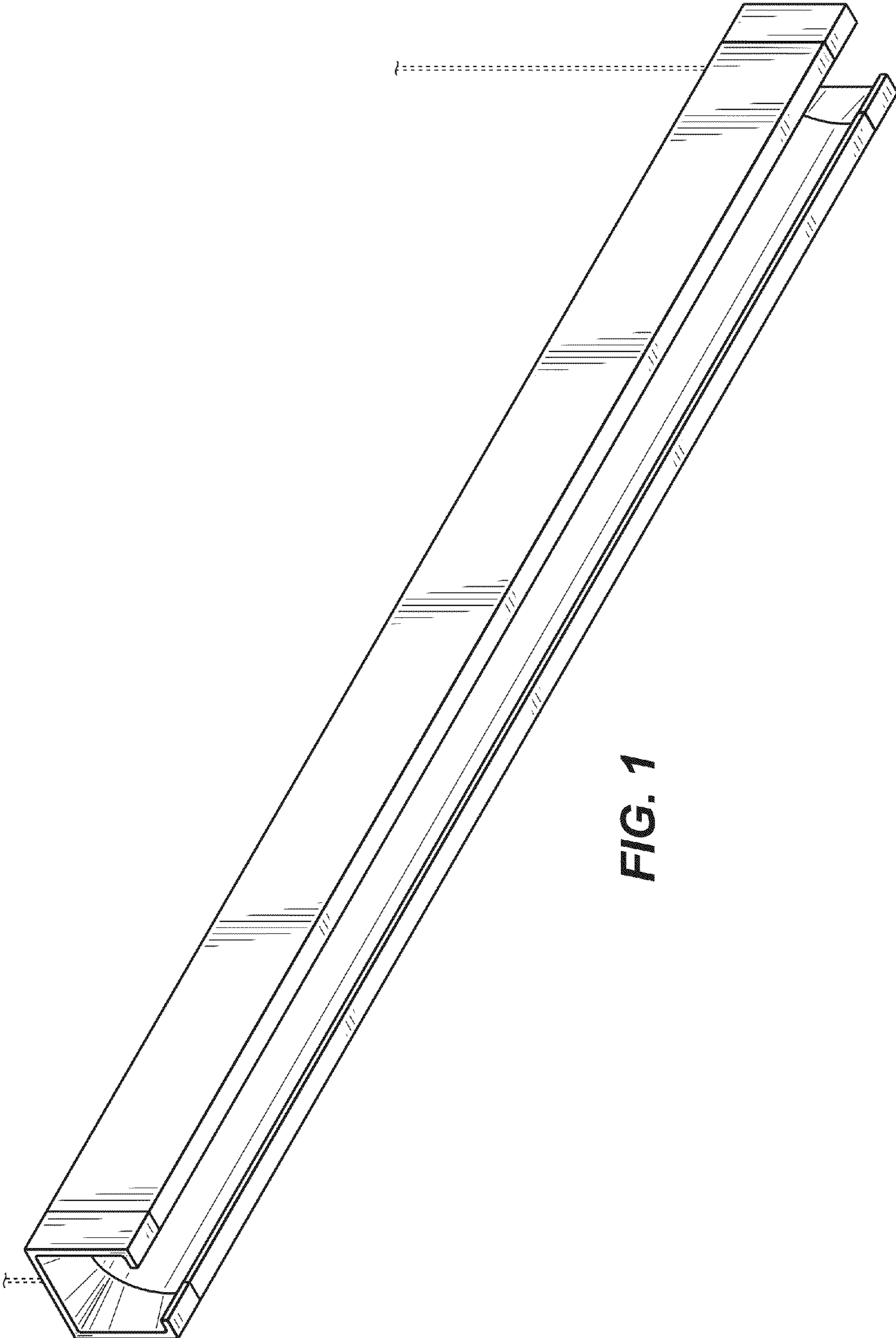


FIG. 1

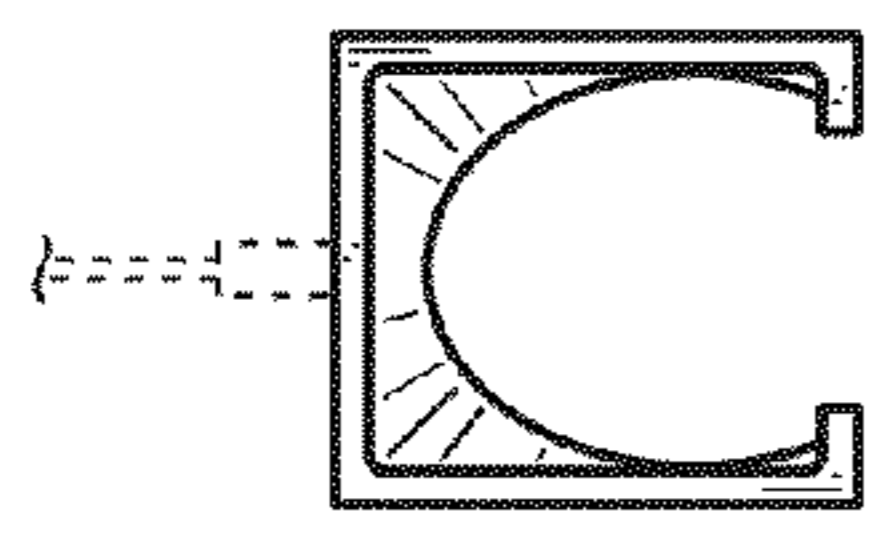


FIG. 2

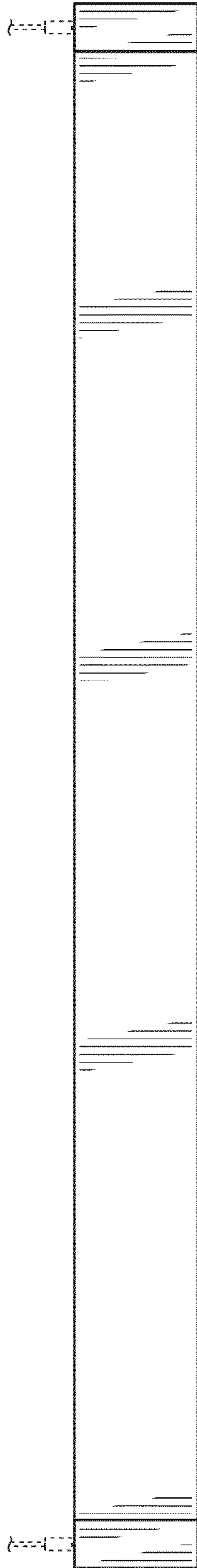


FIG. 3

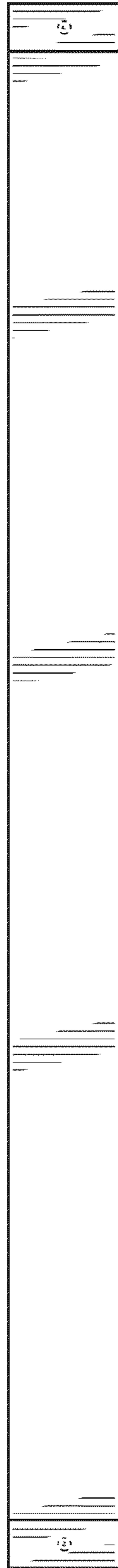


FIG. 4

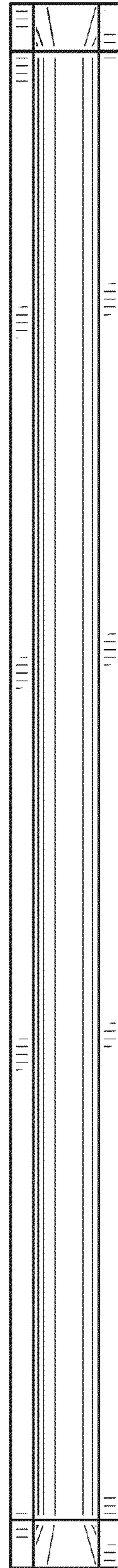


FIG. 5

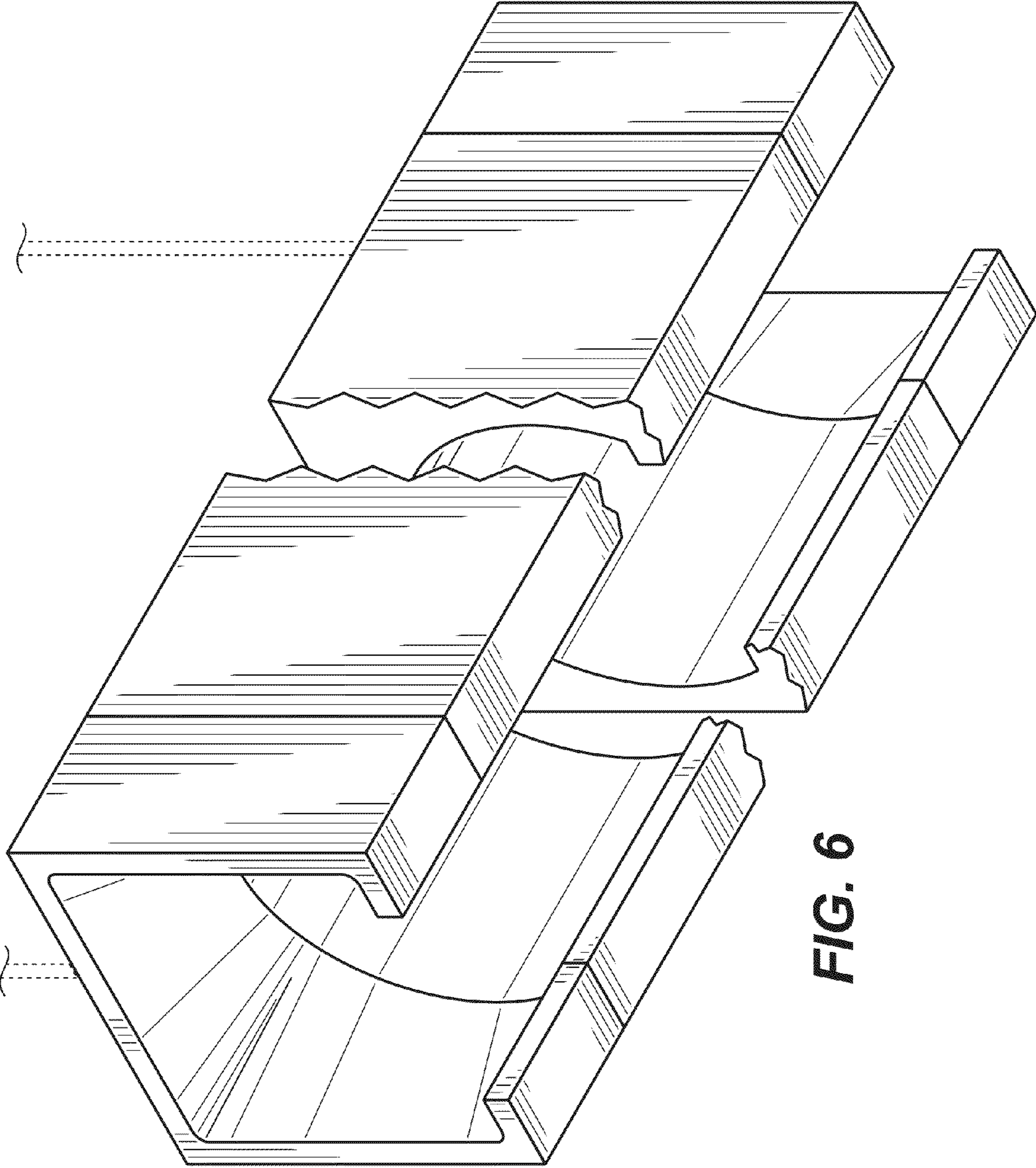


FIG. 6

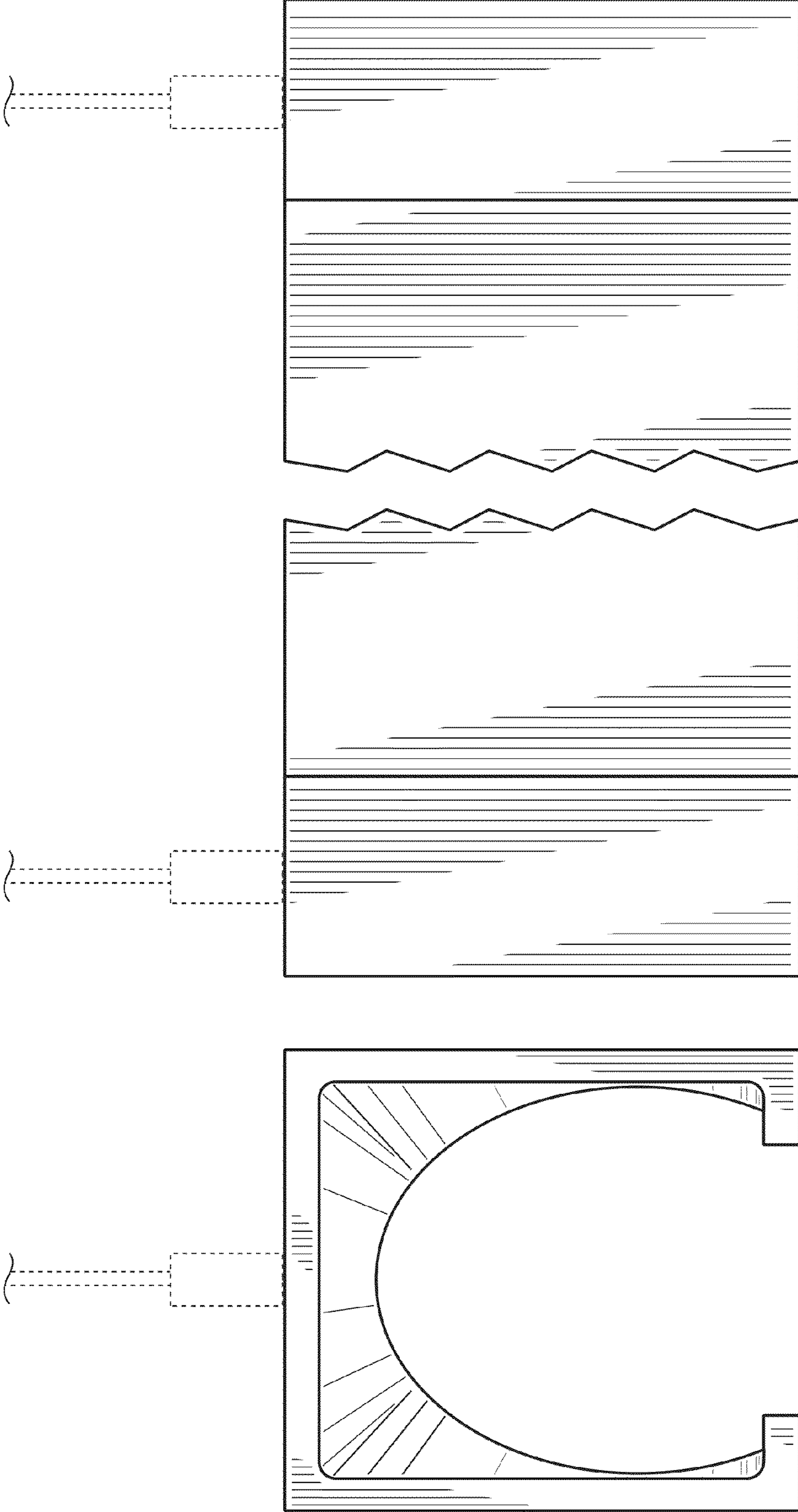


FIG. 8

FIG. 7

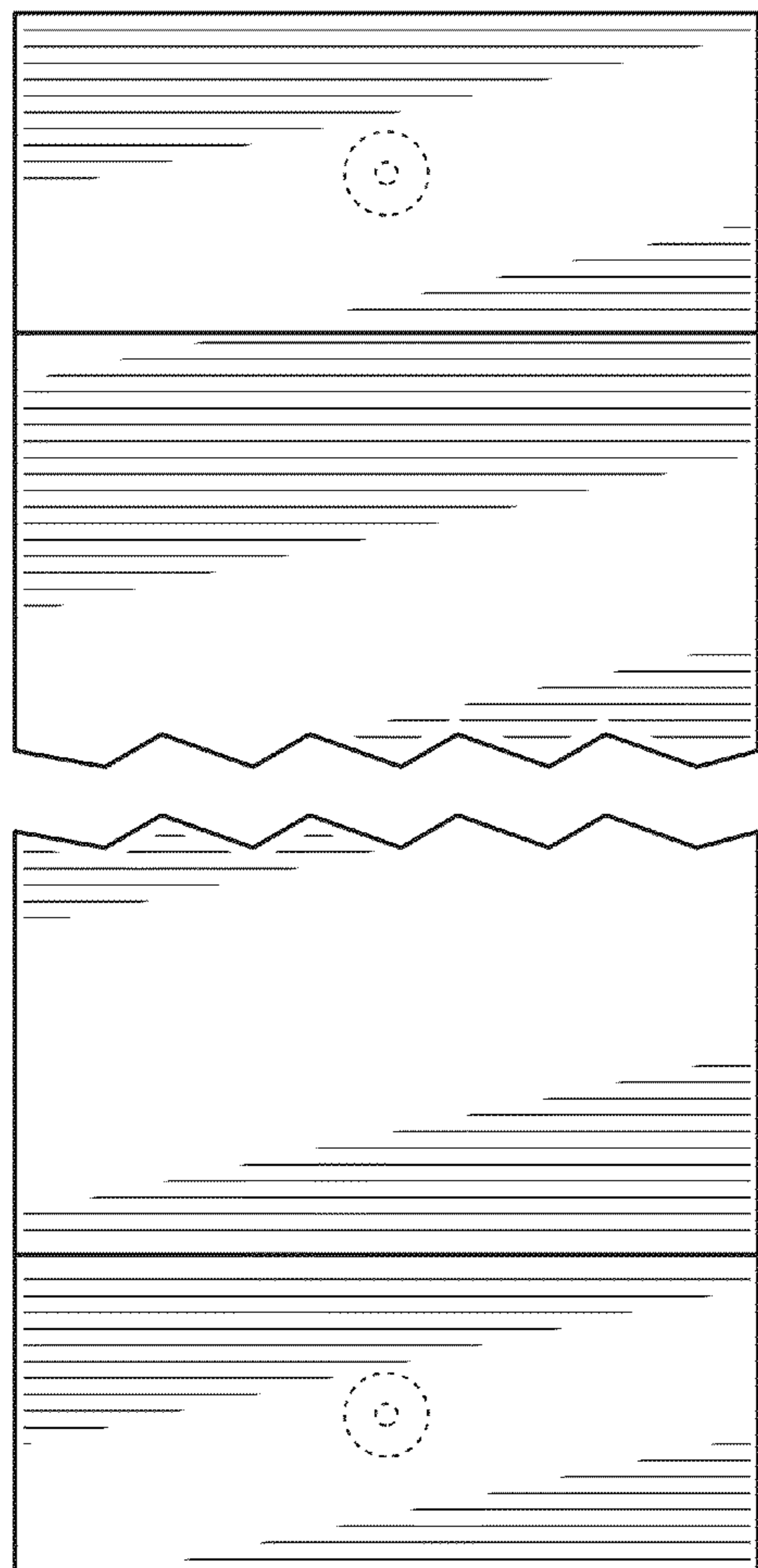


FIG. 9

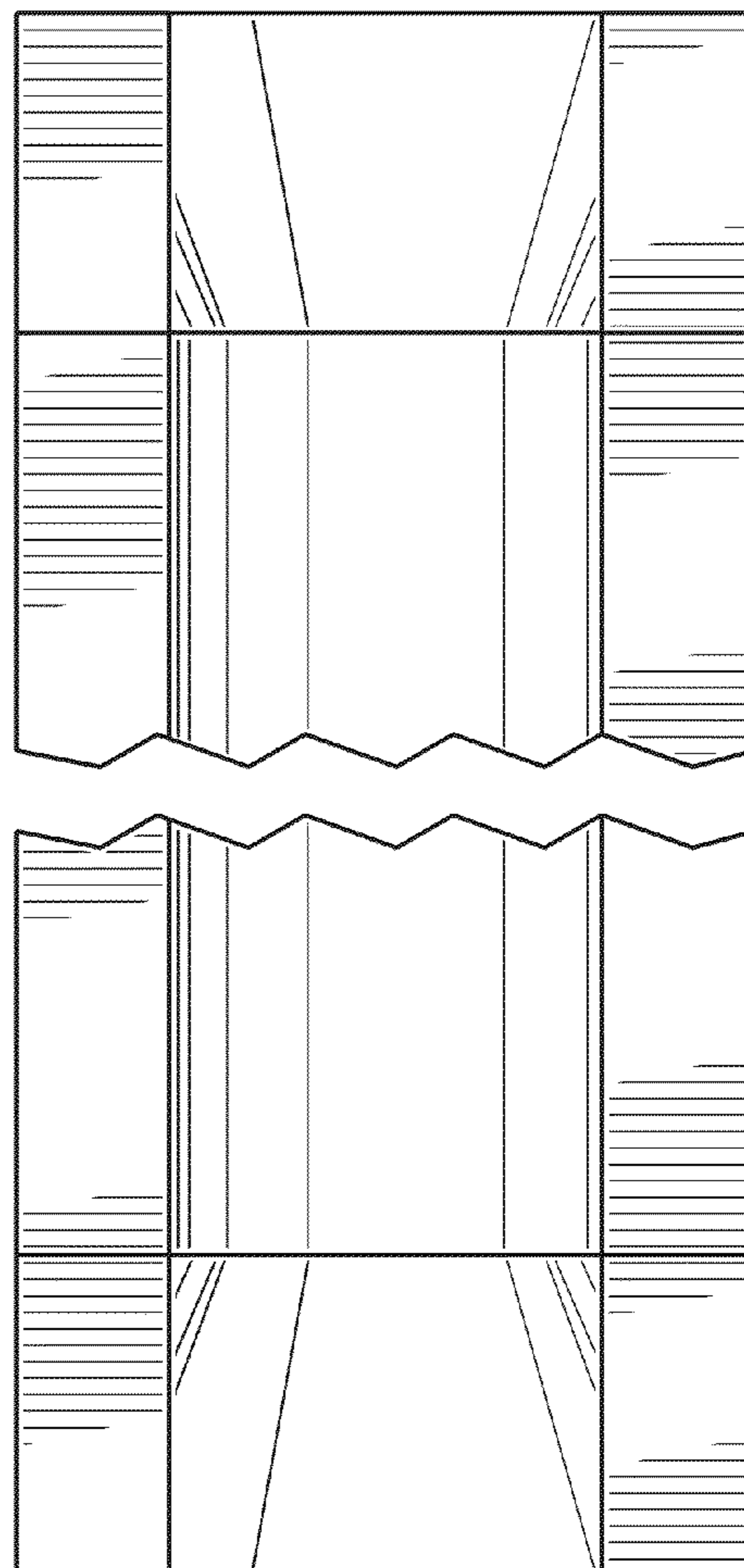


FIG. 10