



US00D740477S

(12) **United States Design Patent**
Nelson et al.

(10) **Patent No.:** **US D740,477 S**

(45) **Date of Patent:** **** Oct. 6, 2015**

(54) **ANNULUS SHAPED LUMINAIRE**

(71) Applicant: **ABL IP Holding LLC**, Conyers, GA (US)

(72) Inventors: **Peter K. Nelson**, Denver, CO (US); **Kevin Franklin Leadford**, Evergreen, CO (US); **Christopher J. Sorensen**, Denver, CO (US); **Christopher D. Slaughter**, Denver, CO (US); **Carl T. Gould**, Golden, CO (US)

(73) Assignee: **ABL IP HOLDING LLC**, Conyers, GA (US)

(**) Term: **14 Years**

(21) Appl. No.: **29/511,569**

(22) Filed: **Dec. 11, 2014**

Related U.S. Application Data

(62) Division of application No. 29/488,564, filed on Apr. 21, 2014, now Pat. No. Des. 725,305.

(51) **LOC (10) Cl.** **26-05**

(52) **U.S. Cl.**
USPC **D26/67**

(58) **Field of Classification Search**
USPC D26/67-70, 85; 362/145, 152, 153, 431
See application file for complete search history.

(56) **References Cited**

U.S. PATENT DOCUMENTS

D191,128 S	8/1961	Curtin et al.
D192,125 S	1/1962	Lasker
D199,077 S	9/1964	Turner et al.
D199,078 S	9/1964	Turner et al.
D199,999 S	1/1965	Simon
D200,001 S	1/1965	Simon
D200,214 S	2/1965	Simon

3,218,446 A	11/1965	Langer	
D341,221 S	11/1993	Elazari	
D407,842 S	4/1999	Landefeld	
6,443,582 B1 *	9/2002	Tarne et al. 362/23.16

(Continued)

OTHER PUBLICATIONS

Hess America, Agena 720 LED Specification, web page retrieved from the internet http://www.hessamerica.com/Products/Lighting/Pole_Mounted_Luminaire/AGENA/, Aug. 19, 2014, 4 pages.

(Continued)

Primary Examiner — Clare E Heflin

(74) *Attorney, Agent, or Firm* — Kilpatrick Townsend & Stockton LLP

(57) **CLAIM**

The ornamental design for an annulus shaped luminaire, as shown and described.

DESCRIPTION

FIG. 1 is a first perspective view, as seen from below, of the annulus shaped luminaire;

FIG. 2 is a second perspective view, as seen from below, of the annulus shaped luminaire;

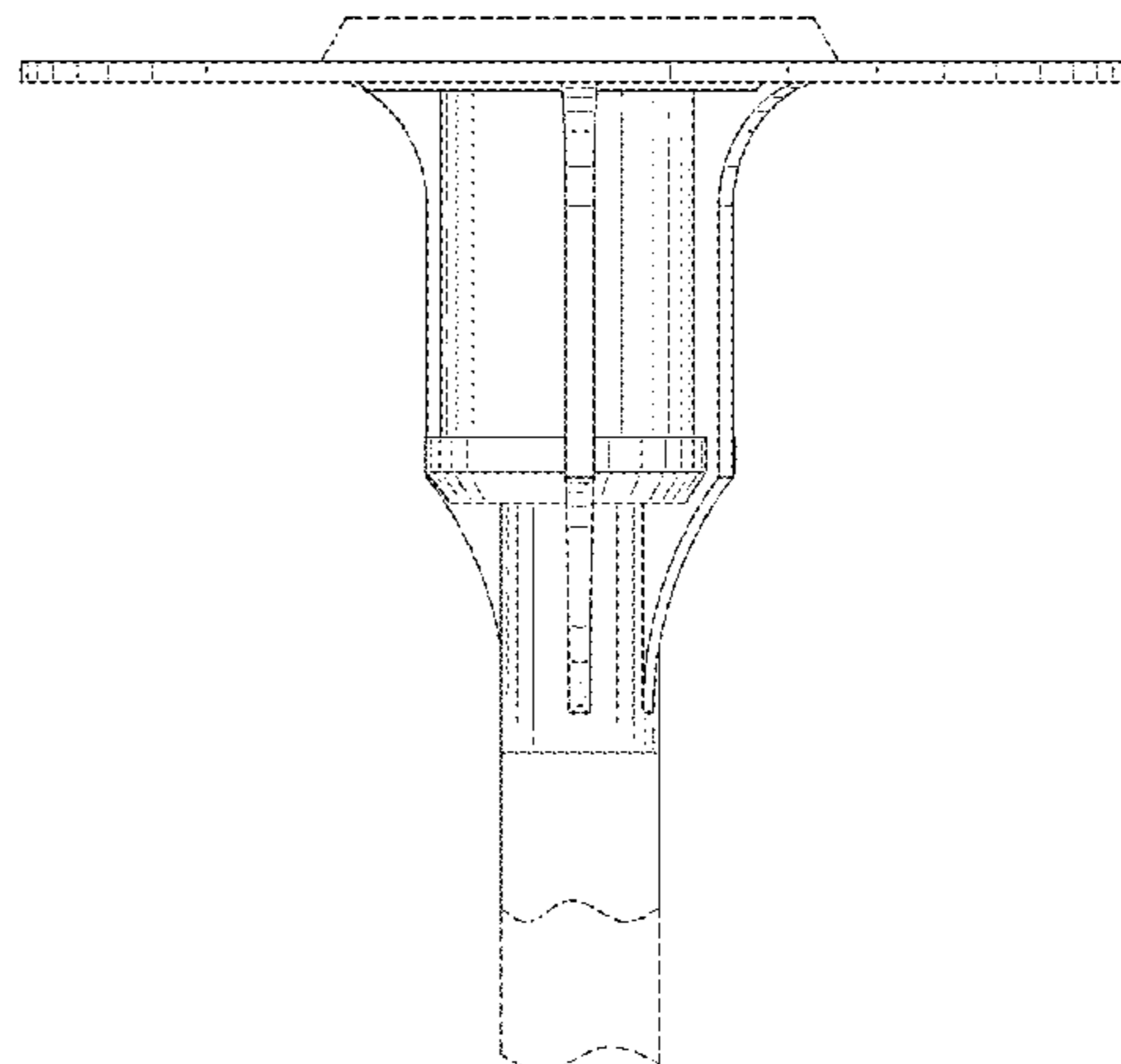
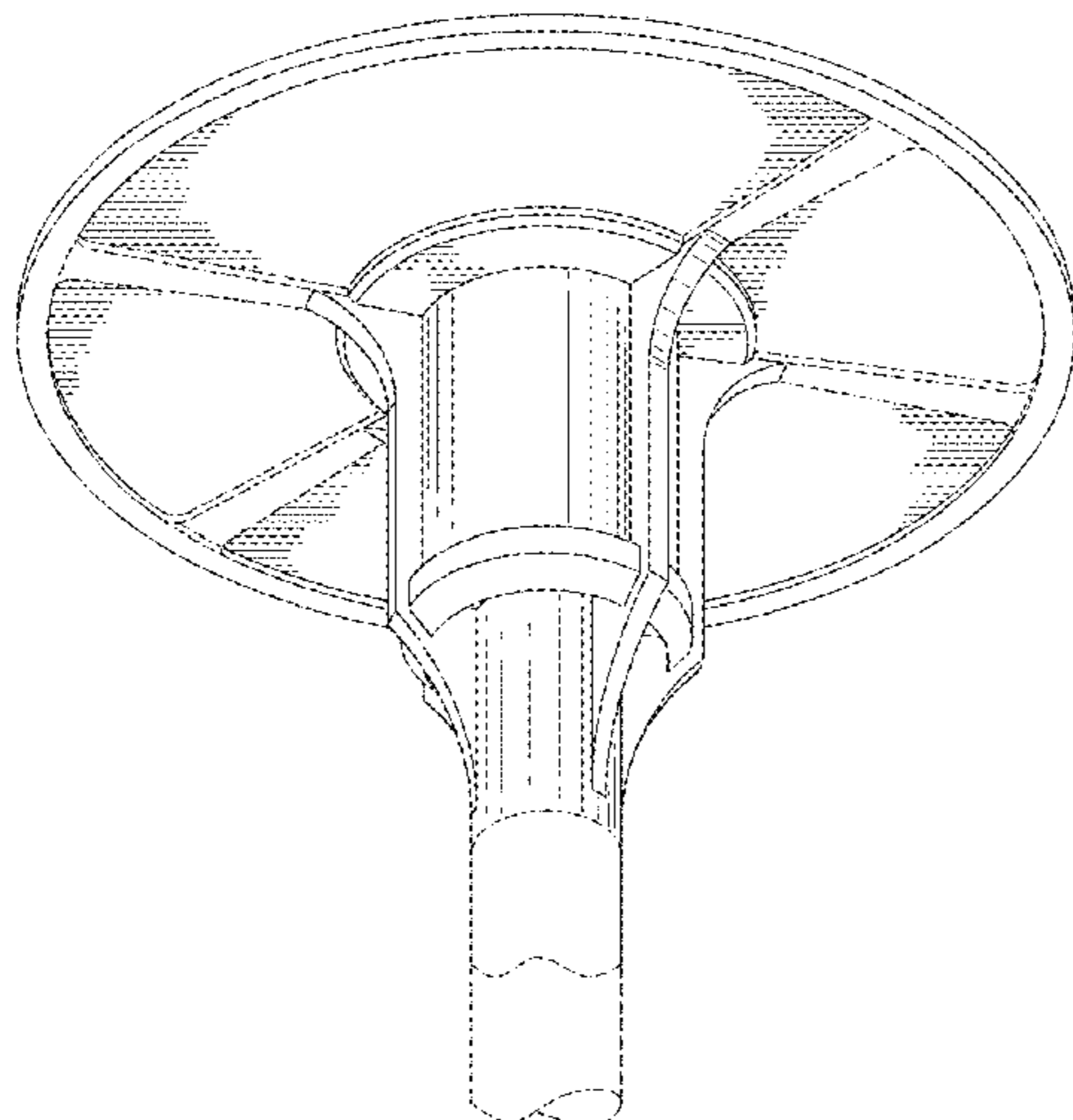
FIG. 3 is a front side elevation of the annulus shaped luminaire, a back side elevation of the annulus shaped luminaire being a mirror image thereof;

FIG. 4 is a right side elevation of the annulus shaped luminaire, a left side elevation of the annulus shaped luminaire being a mirror image thereof;

FIG. 5 is a bottom plan view of the annulus shaped luminaire; and,

FIG. 6 is a top plan view of the annulus shaped luminaire. Portions or features of the annulus shaped luminaire not shown in the drawings form no part of the claimed design. Broken lines indicate environmental structure that forms no part of the claimed design.

1 Claim, 6 Drawing Sheets



(56)

References Cited

U.S. PATENT DOCUMENTS

7,160,010	B1 *	1/2007	Chinniah et al.	362/511
D571,494	S	6/2008	Friedman et al.	
D571,496	S	6/2008	Lenz	
D574,103	S	7/2008	Minami et al.	
D578,694	S	10/2008	Zeng et al.	
D583,494	S	12/2008	Friedman et al.	
D591,884	S	5/2009	Tortel	
D597,696	S	8/2009	Sabernig	
D599,496	S	9/2009	Lodhie	
D599,935	S	9/2009	van Klinken	
D601,291	S	9/2009	Nankil	
D614,789	S	4/2010	van Klinken	
D615,682	S	5/2010	van Klinken	
D616,130	S	5/2010	Tortel	
D623,337	S	9/2010	Zheng	
D624,228	S	9/2010	Nankil	
D627,910	S	11/2010	Fazzari	
D652,976	S	1/2012	Soto et al.	
D672,074	S	12/2012	Compton	
D679,042	S	3/2013	Yu	
D725,304	S *	3/2015	Nelson et al.	D26/67
D725,305	S *	3/2015	Nelson et al.	D26/70
2009/0129121	A1	5/2009	Yoneda	
2009/0316436	A1	12/2009	Takahashi et al.	
2010/0014290	A1	1/2010	Wilcox	
2013/0003409	A1	1/2013	Vissenberg et al.	
2013/0201683	A1	8/2013	Kirchberger et al.	

OTHER PUBLICATIONS

Hess America, Avalon 650 Specification, web page retrieved from the internet http://www.hessamerica.com/Products/Lighting/Pole_Mounted_Luminaire/AVALON/, Aug. 19, 2014, 4 pages.

Louis Poulsen Lighting, Albertslund Maxi Post Product Specification, web page retrieved from www.louispoulsen.com on Aug. 19, 2014, 3 pages.
 SELUX, Astro 2- flat glass SX 1182 11-9, web page retrieved from www.selux.com on Aug. 19, 2014 bearing copyright date of Apr. 2014, 2 pages.
 SELUX, Saturn 5 SX 470 72-9, web page retrieved from www.selux.com on Aug. 19, 2014 bearing copyright date of Sep. 2013, 2 pages.
 SELUX, Exterior catalogue, (selected pages) retrieved from www.selux.com on Aug. 27, 2014 bearing copyright date of 2014, pt. 1, 28 pages.
 SELUX, Exterior catalogue, (selected pages) retrieved from www.selux.com on Aug. 27, 2014 bearing copyright date of 2014, pt. 2, 27 pages.
 SELUX, Exterior catalogue, (selected pages) retrieved from www.selux.com on Aug. 27, 2014 bearing copyright date of 2014, pt. 3, 32 pages.
 SELUX, Exterior catalogue, (selected pages) retrieved from www.selux.com on Aug. 27, 2014 bearing copyright date of 2014, pt. 4, 23 pages.
 Lithonia Lighting, Ratio Post Top 1.52 TLPRO152 LED Area Luminaire, web page retrieved from www.lithonia.com on Aug. 19, 2014 bearing copyright date of 2013, 3 pages.
 Notice of Allowance for U.S. Appl. No. 29/488,564, mailed Nov. 10, 2014.
 Notice of Allowance for U.S. Appl. No. 29/488,562, mailed Nov. 14, 2014.
 Non-Final Office Action for U.S. Appl. No. 14/257,585, mailed May 22, 2015.

* cited by examiner

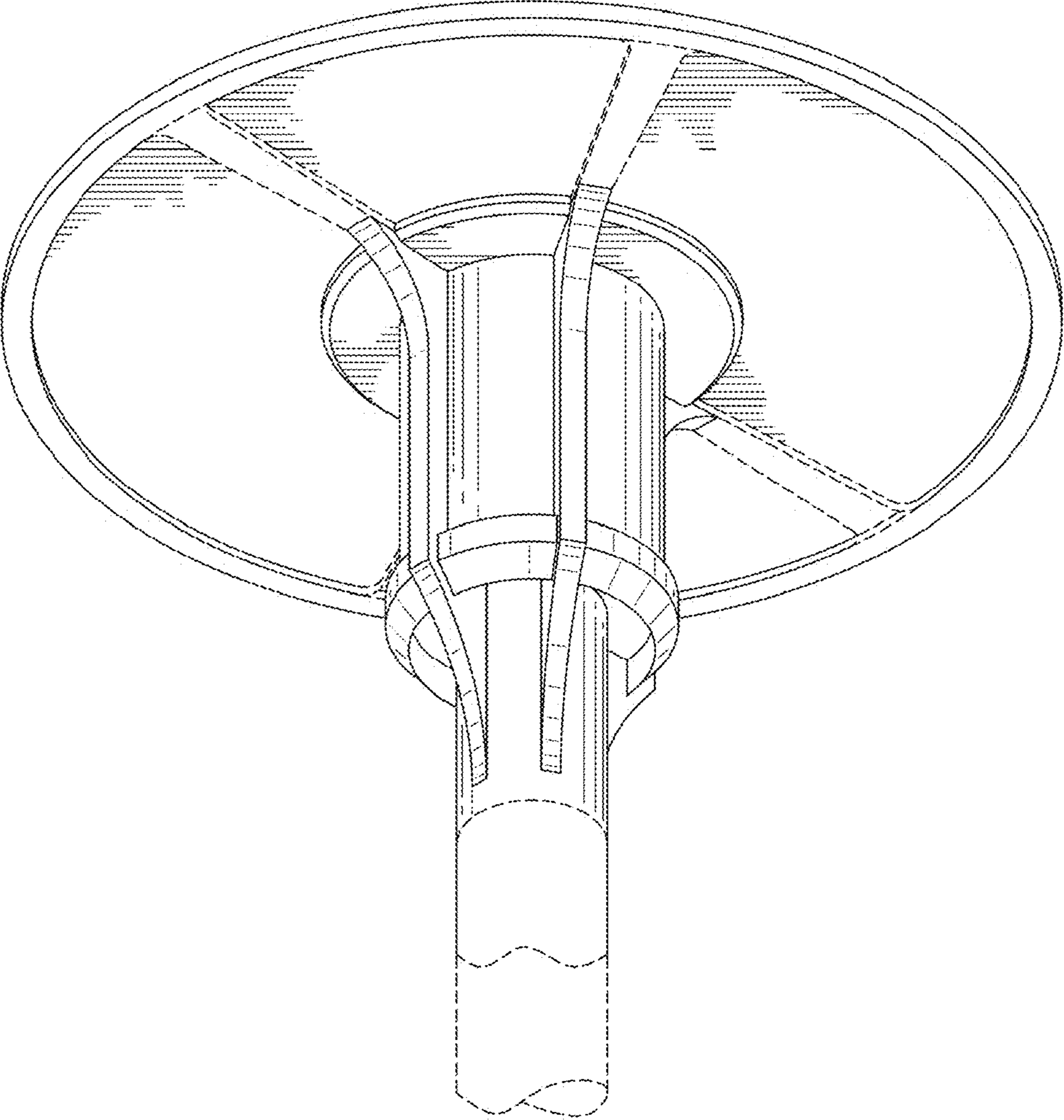


FIG. 1

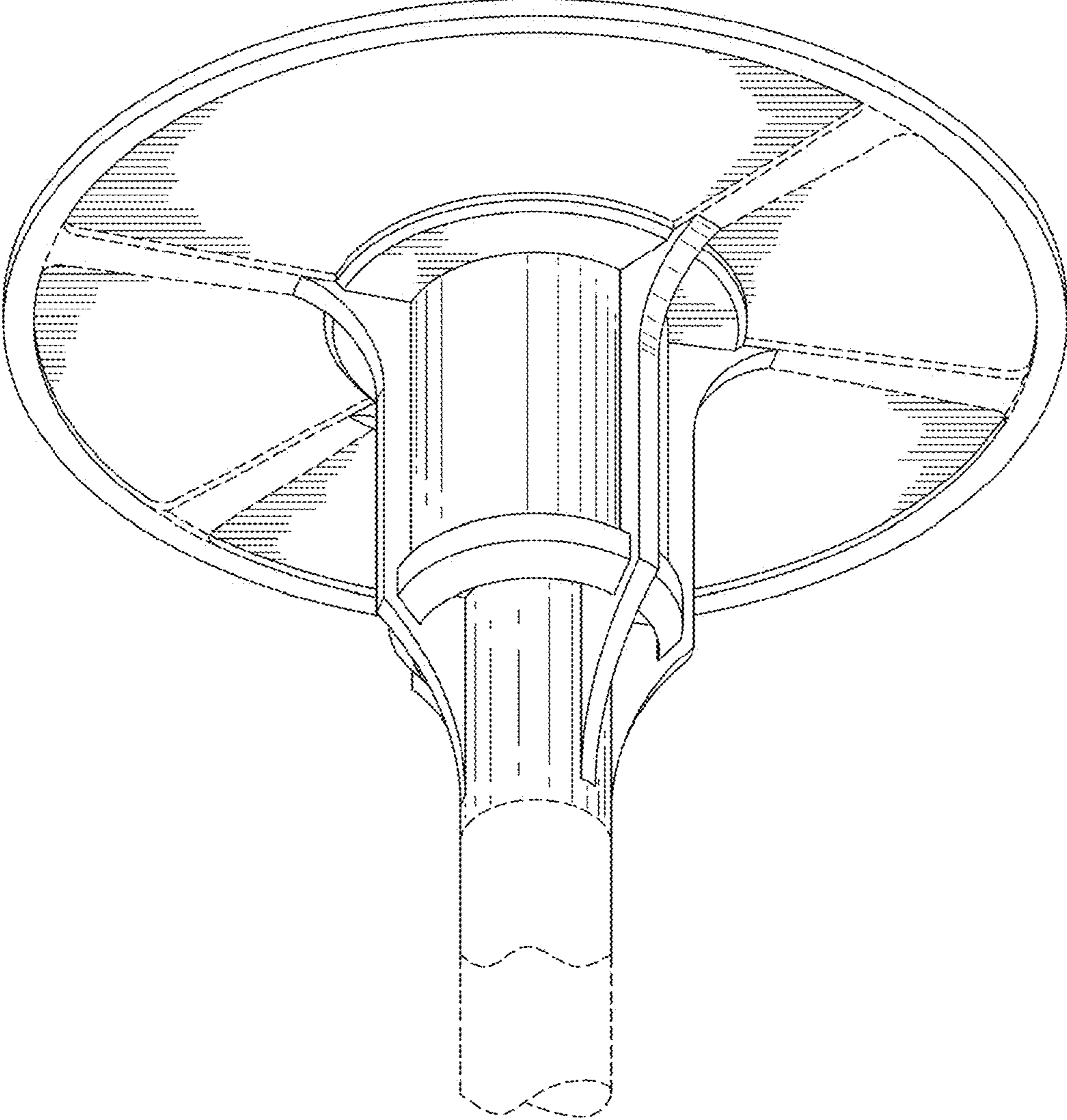


FIG. 2

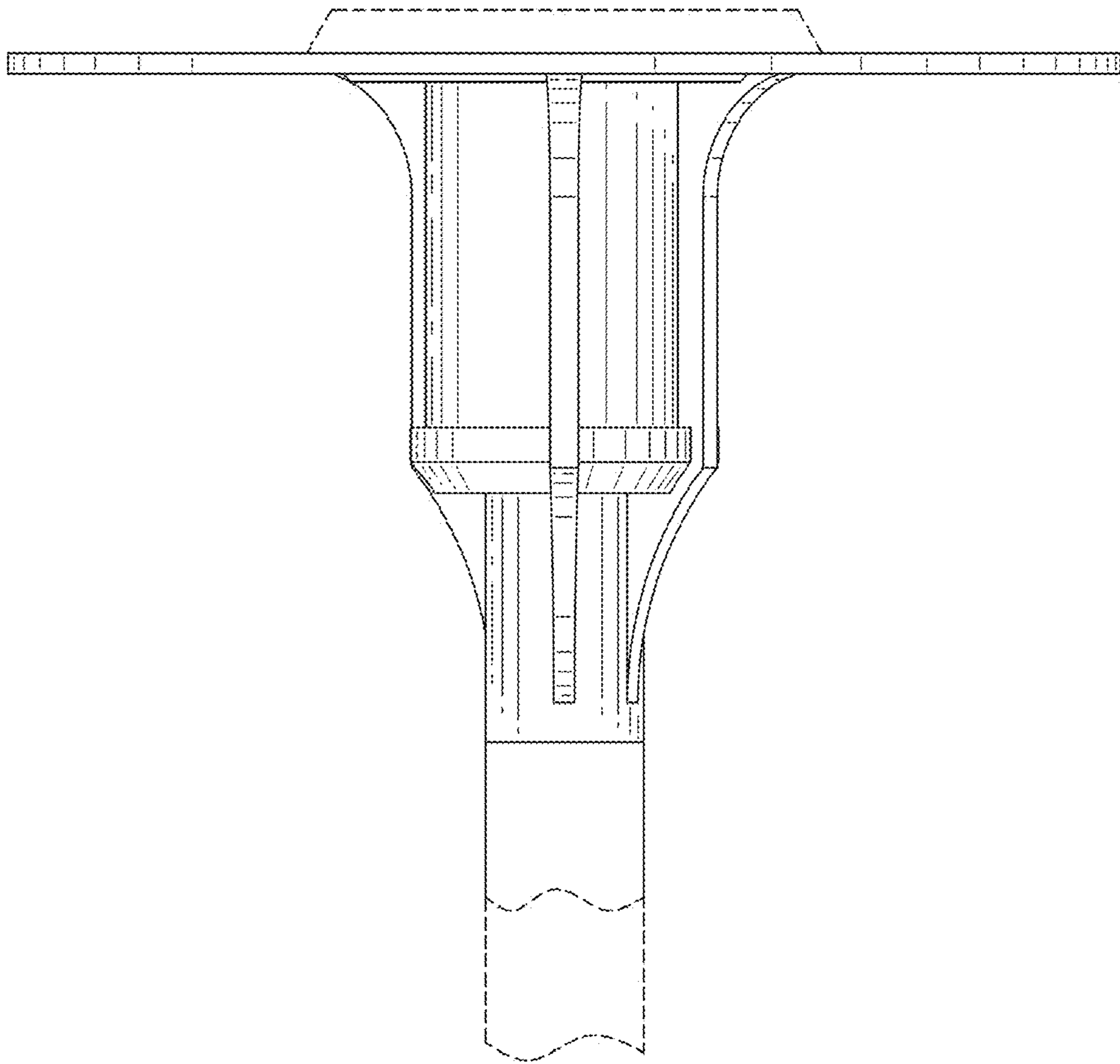


FIG. 3

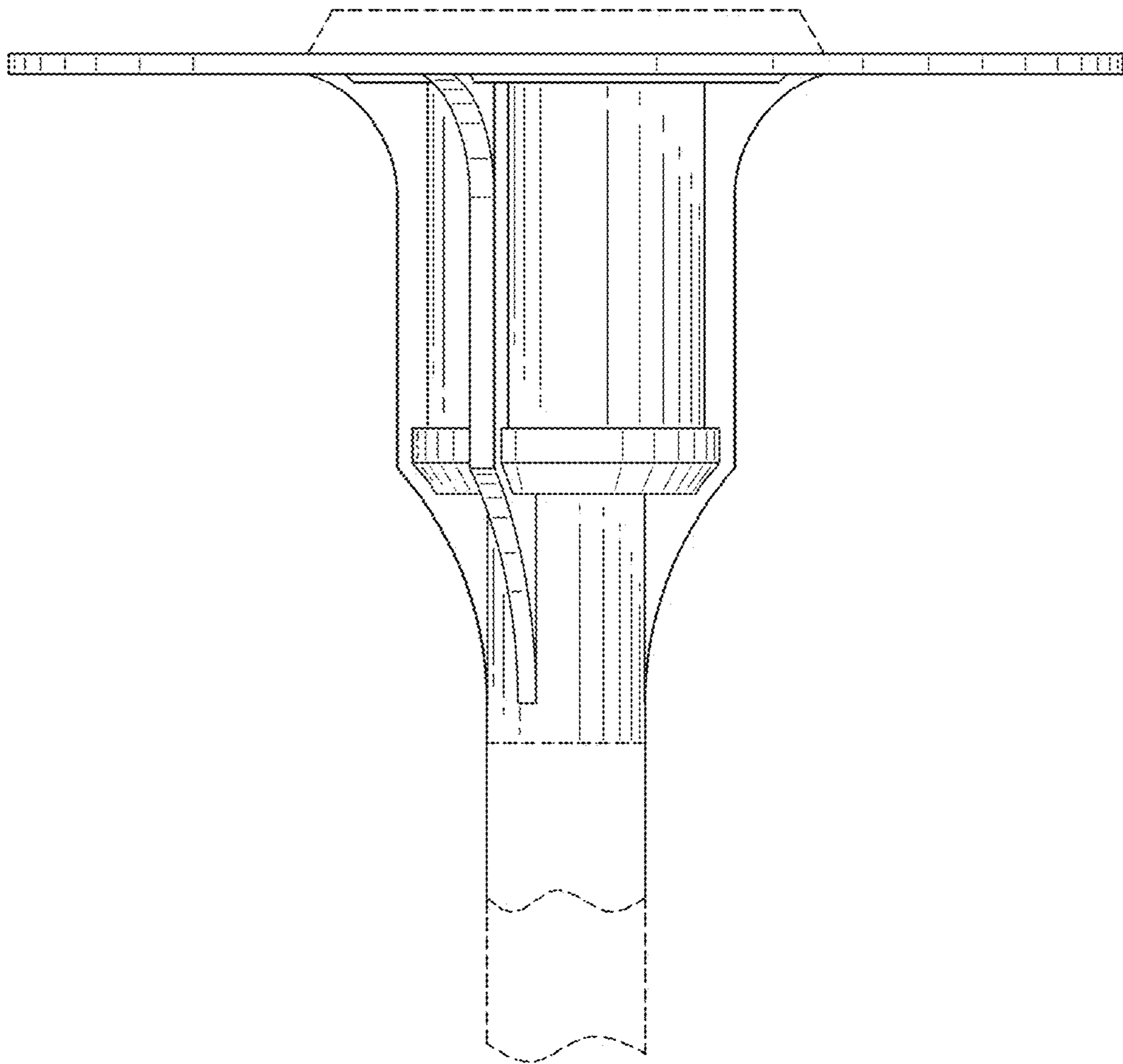


FIG. 4

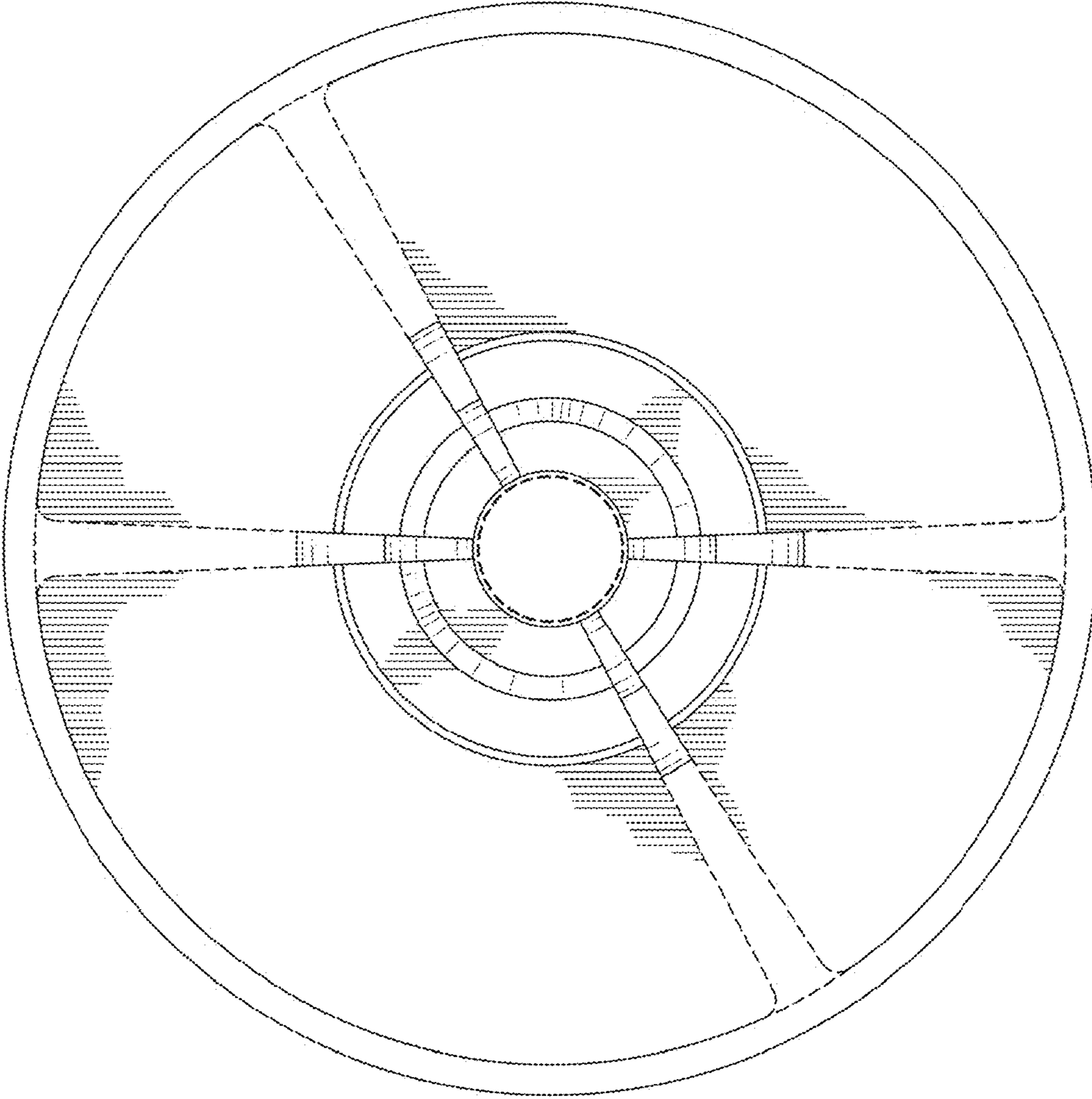


FIG. 5

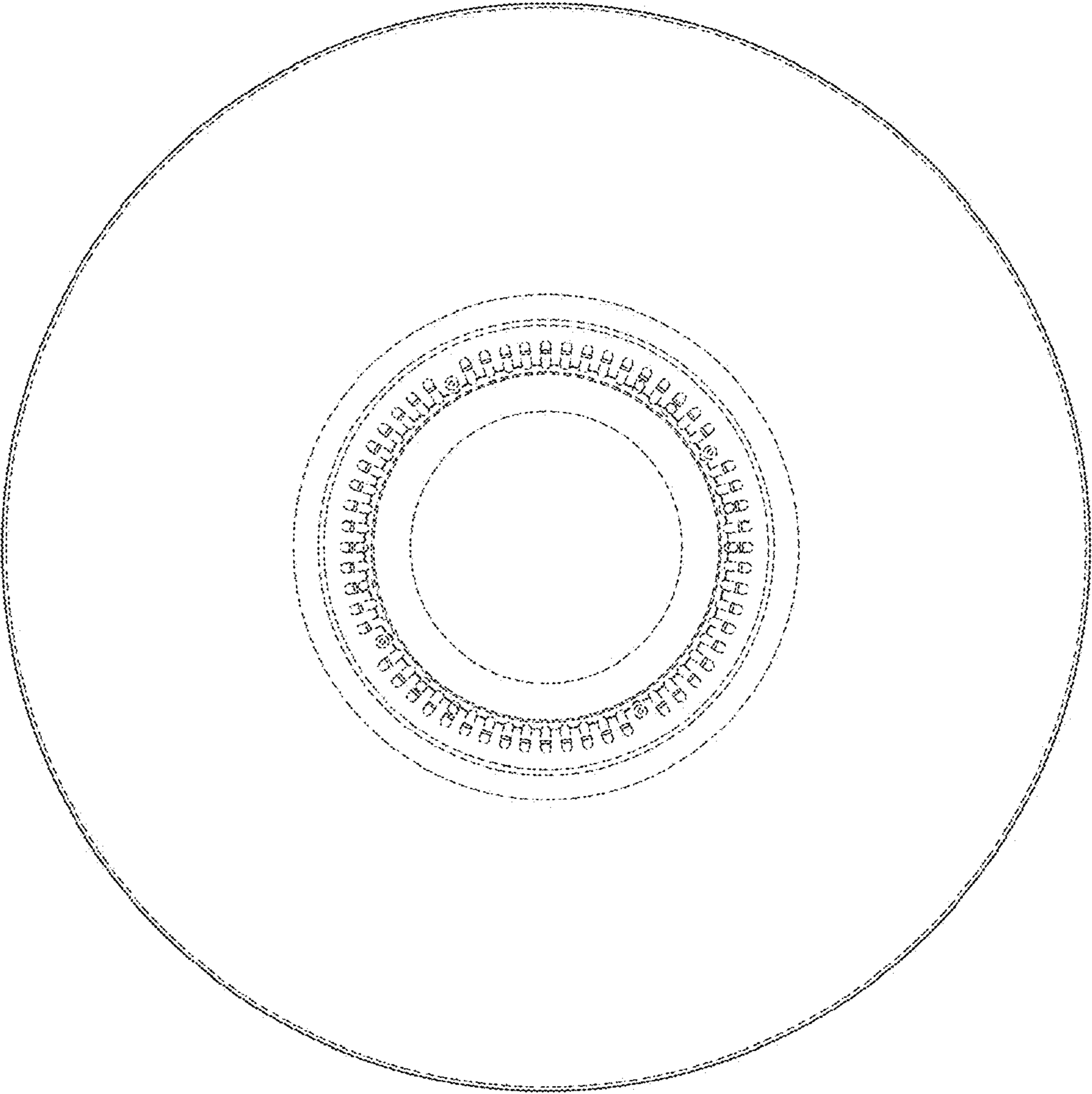


FIG. 6