



US00D740476S

(12) **United States Design Patent**  
**Kushner et al.**

(10) **Patent No.:** **US D740,476 S**

(45) **Date of Patent:** **\*\* Oct. 6, 2015**

(54) **LUMINOUS APPARATUS**

(71) Applicant: **Future Promo, Inc.**, New York, NY  
(US)

(72) Inventors: **Lance Kushner**, New York, NY (US);  
**Marc Portney**, New York, NY (US)

(73) Assignee: **Future Promo, Inc.**, New York, NY  
(US)

(\*\*) Term: **14 Years**

(21) Appl. No.: **29/460,355**

(22) Filed: **Jul. 10, 2013**

(51) **LOC (10) Cl.** ..... **26-03**

(52) **U.S. Cl.**  
USPC ..... **D26/51**

(58) **Field of Classification Search**  
USPC ..... D26/1, 24, 27, 28, 51, 60, 113  
CPC ..... F21S 4/00; F21S 4/003; F21S 4/007;  
F21S 9/00; F21V 33/00; F21W 2101/00;  
F21W 2111/00; F21W 2121/00

See application file for complete search history.

(56) **References Cited**

U.S. PATENT DOCUMENTS

D717,482 S \* 11/2014 Jarnagin et al. .... D26/51  
D722,717 S \* 2/2015 Wang ..... D26/51

\* cited by examiner

*Primary Examiner* — Brian N Vinson

(74) *Attorney, Agent, or Firm* — Gloria Tsui-Yip; Wendi O. Uzan; Miskin & Tsui-Yip LLP

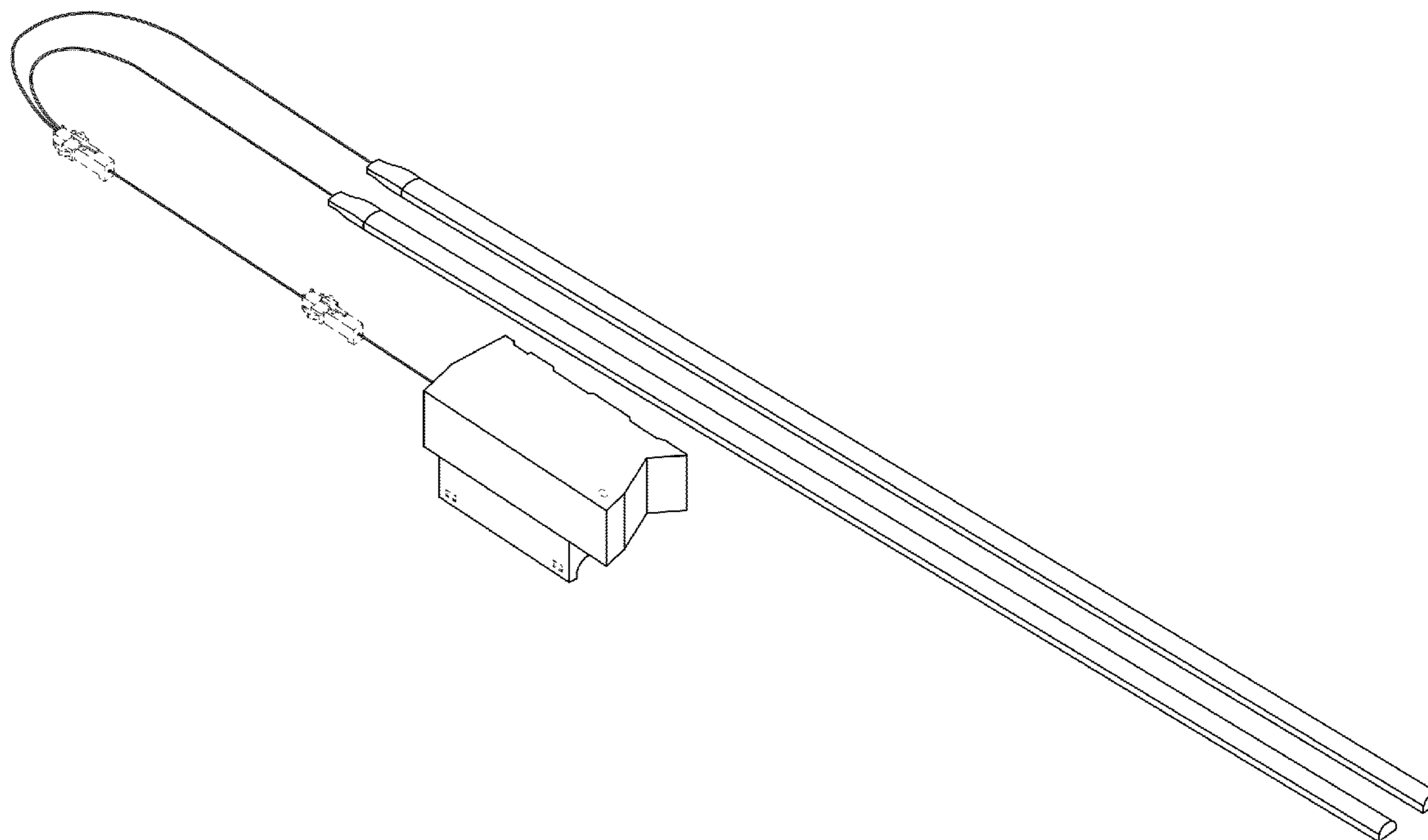
(57) **CLAIM**

The ornamental design for a luminous apparatus, as shown and described.

**DESCRIPTION**

FIG. 1 is a perspective view of my new design;  
FIG. 2 is a front elevational view thereof;  
FIG. 3 is a rear elevational view thereof;  
FIG. 4 is a right side view thereof;  
FIG. 5 is a left side view thereof;  
FIG. 6 is a bottom plan view thereof; and,  
FIG. 7 is a top plan view thereof.  
The broken line showing of connectors, fasteners and buttons in FIGS. 1-7 illustrate environmental matter which form no part of the claimed design.

**1 Claim, 3 Drawing Sheets**



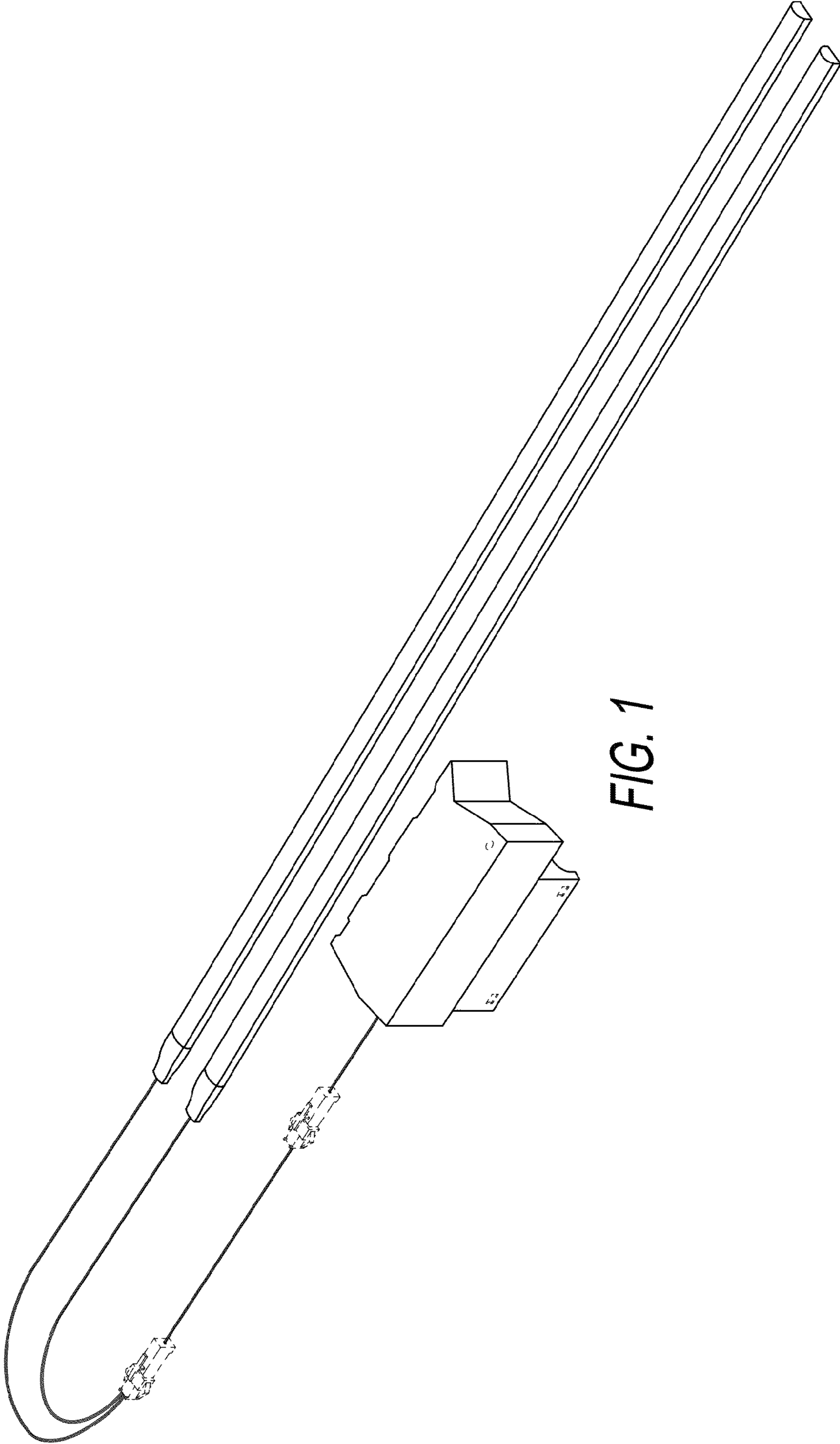


FIG. 1

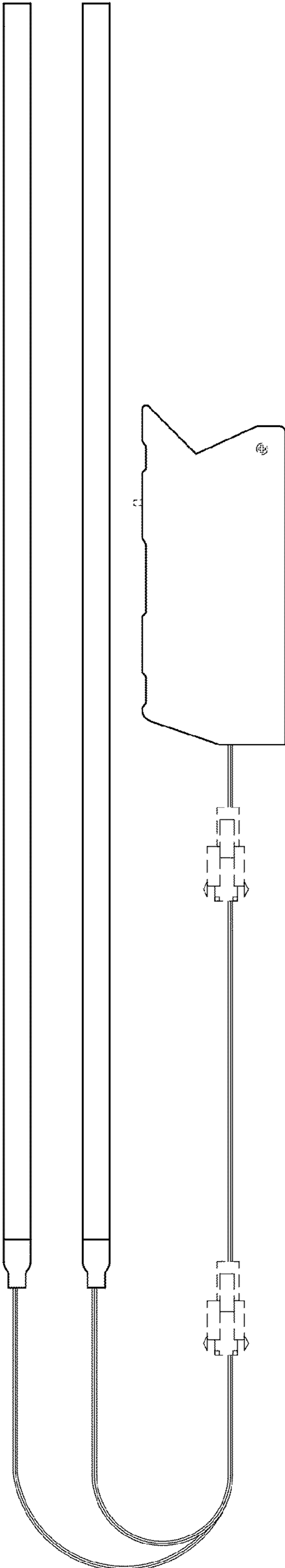


FIG. 2

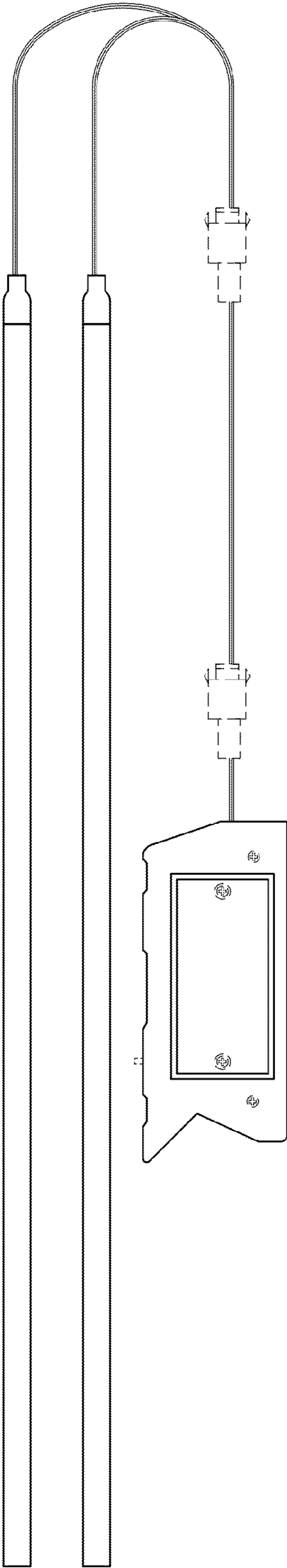


FIG. 3

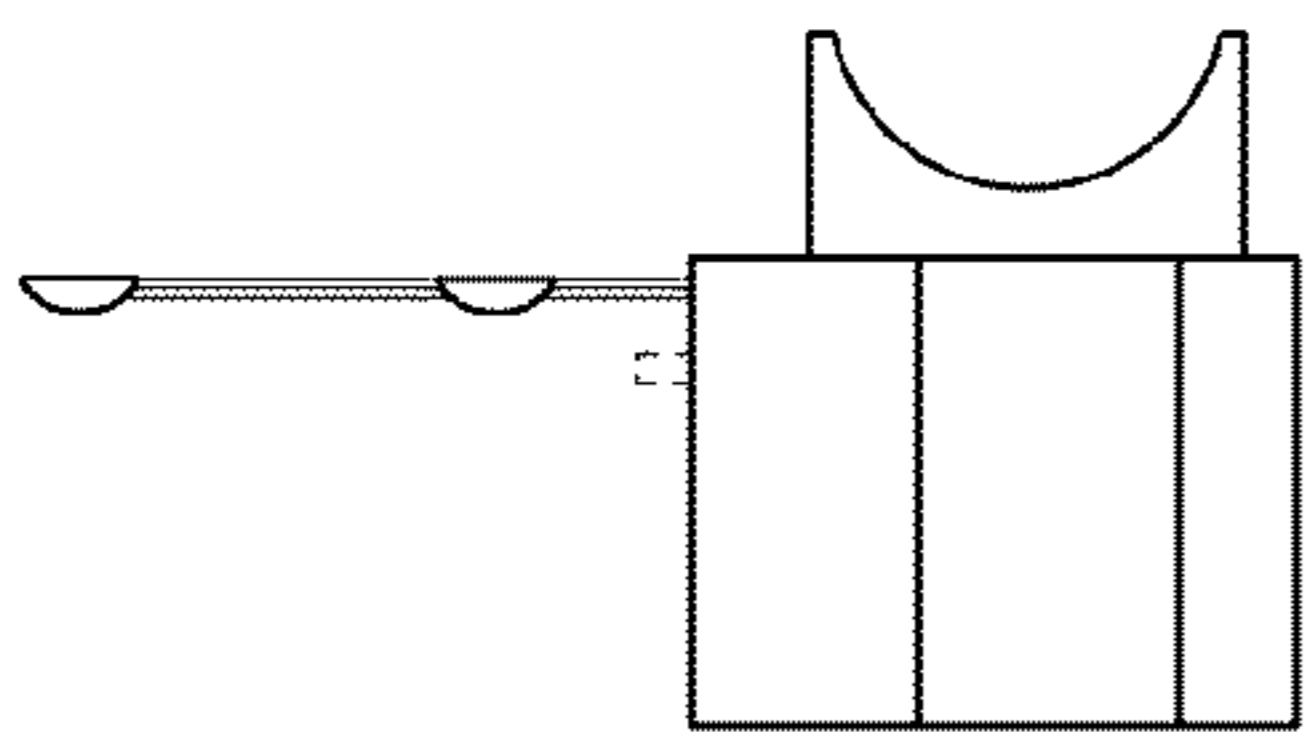


FIG. 4

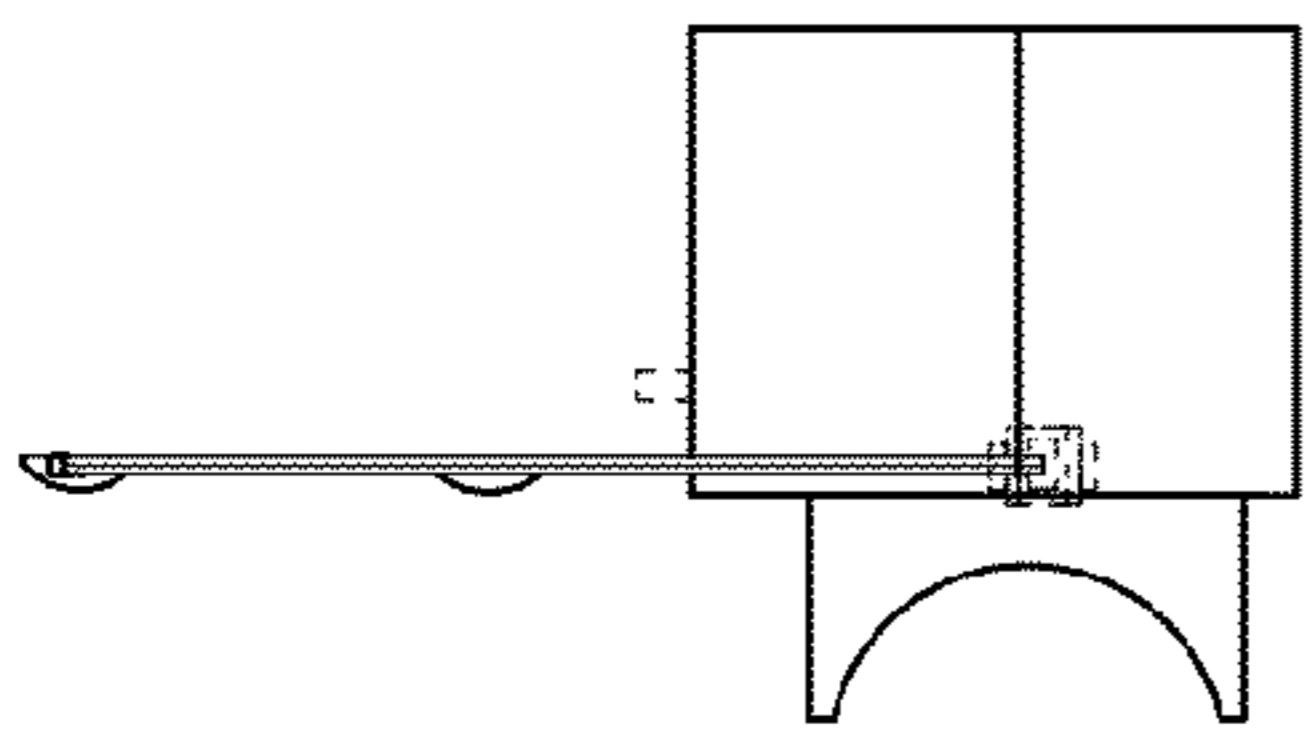


FIG. 5

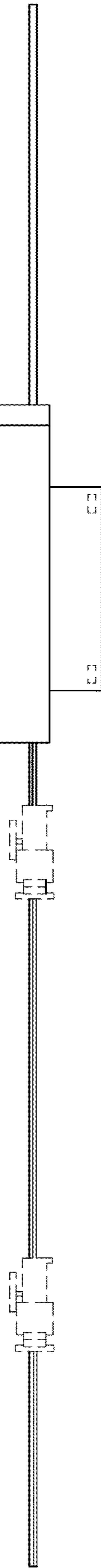


FIG. 6

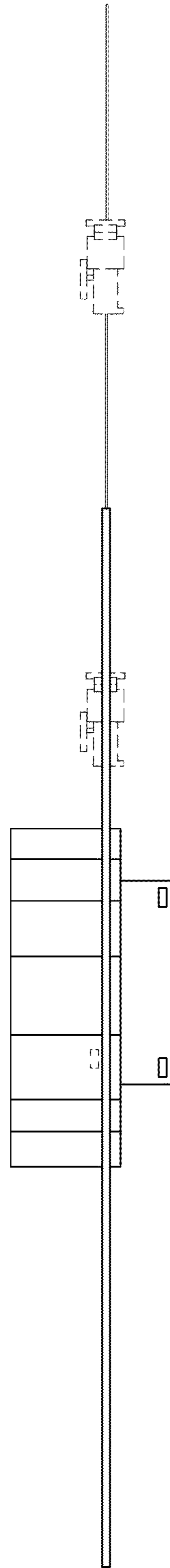


FIG. 7