



US00D740475S

(12) **United States Design Patent**  
**Pineau**

(10) **Patent No.:** **US D740,475 S**

(45) **Date of Patent:** **\*\* Oct. 6, 2015**

(54) **LANTERN**

(56) **References Cited**

(71) Applicant: **CLAESSENS’KIDS SARL**, Aubonne  
(CH)

U.S. PATENT DOCUMENTS

(72) Inventor: **Alain Pineau**, Paris (FR)

D407,512 S *	3/1999	Yuen	.....	D26/41
D448,102 S *	9/2001	Campman	.....	D26/41
D505,216 S *	5/2005	Chen	.....	D26/40
D509,920 S *	9/2005	Fritz et al.	.....	D26/40
D537,967 S *	3/2007	Lo et al.	.....	D26/40
D576,329 S *	9/2008	Poon	.....	D26/40
D593,238 S *	5/2009	Allen	.....	D26/37
D612,084 S *	3/2010	Hillard	.....	D26/40
D612,965 S *	3/2010	Extrand	.....	D26/41
D617,480 S *	6/2010	DeBrunner	.....	D26/40
D628,325 S *	11/2010	Houghton	.....	D26/41
D649,271 S *	11/2011	Crawford et al.	.....	D26/37
D650,105 S *	12/2011	Crawford et al.	.....	D26/41

(73) Assignee: **CLAESSENS’KIDS SARL**, Aubonne  
(CH)

(\*\*) Term: **14 Years**

(21) Appl. No.: **29/461,903**

\* cited by examiner

(22) Filed: **Jul. 29, 2013**

(30) **Foreign Application Priority Data**

*Primary Examiner* — Ian Simmons  
*Assistant Examiner* — Carissa C Fitts  
(74) *Attorney, Agent, or Firm* — DLA Piper LLP US

Feb. 8, 2013 (WO) ..... 719348801

(51) **LOC (10) Cl.** ..... **26-02**

(57) **CLAIM**  
The ornamental design for a lantern, as shown and described.

(52) **U.S. Cl.**  
USPC ..... **D26/37**

**DESCRIPTION**

(58) **Field of Classification Search**  
USPC ..... D26/37, 38, 39, 40, 41, 46, 60;  
362/157, 158, 183, 184, 194–196,  
362/202–208  
CPC ... F21Y 2101/00; F21V 21/30; F21V 21/406;  
F21W 2131/406; F21W 2131/407; F21L 2/00;  
F21L 4/00; F21L 4/005; F21L 17/00; F21L  
13/08

FIG. 1 is a front perspective view of a lantern;  
FIG. 2 is a front view thereof;  
FIG. 3 is a back view thereof;  
FIG. 4 is a right side view thereof;  
FIG. 5 is a left side view thereof;  
FIG. 6 is a top view thereof; and,  
FIG. 7 is a bottom view thereof.  
The broken line showing is for environmental purposes only  
and forms no part of the claimed design.

See application file for complete search history.

**1 Claim, 7 Drawing Sheets**

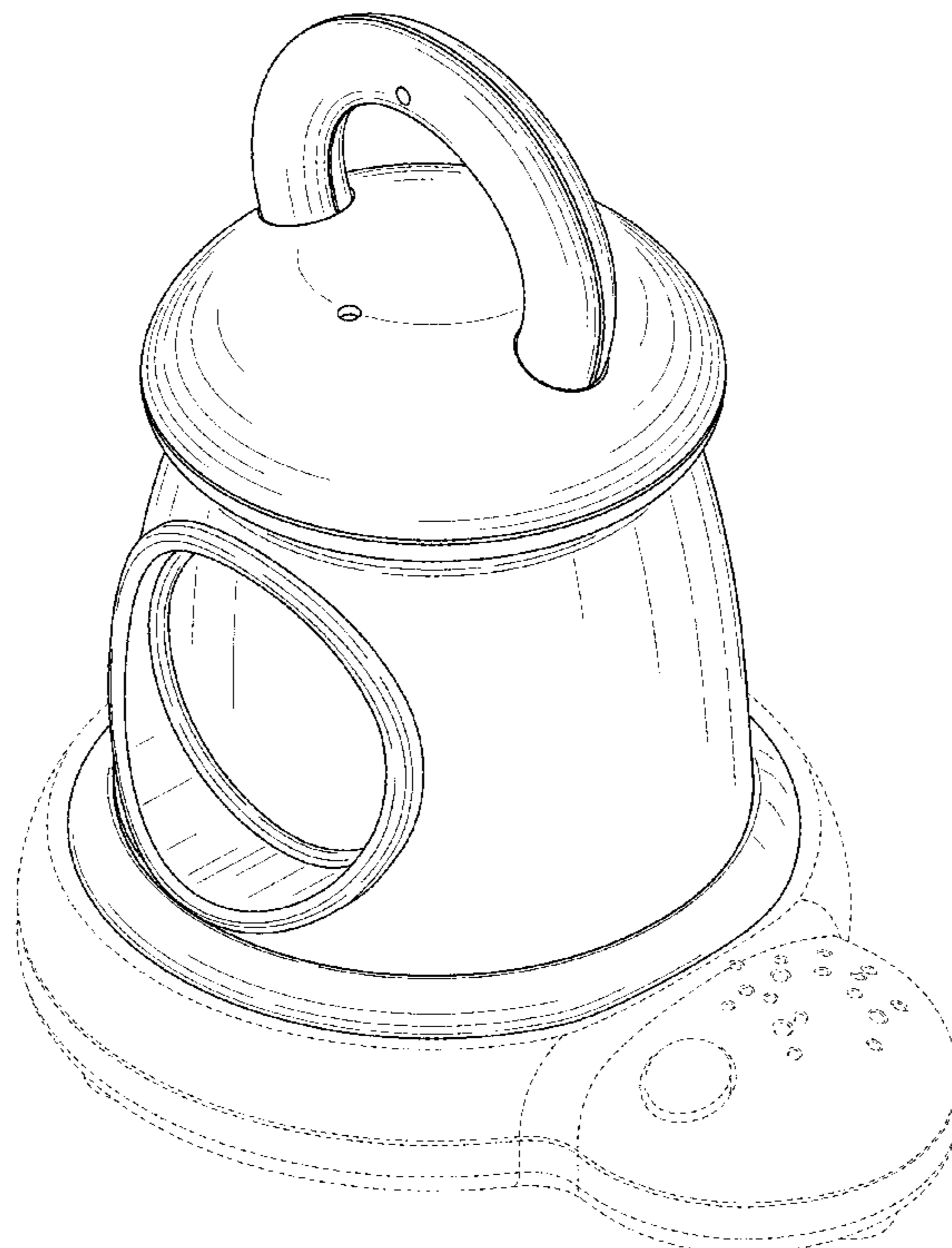




FIG. 1

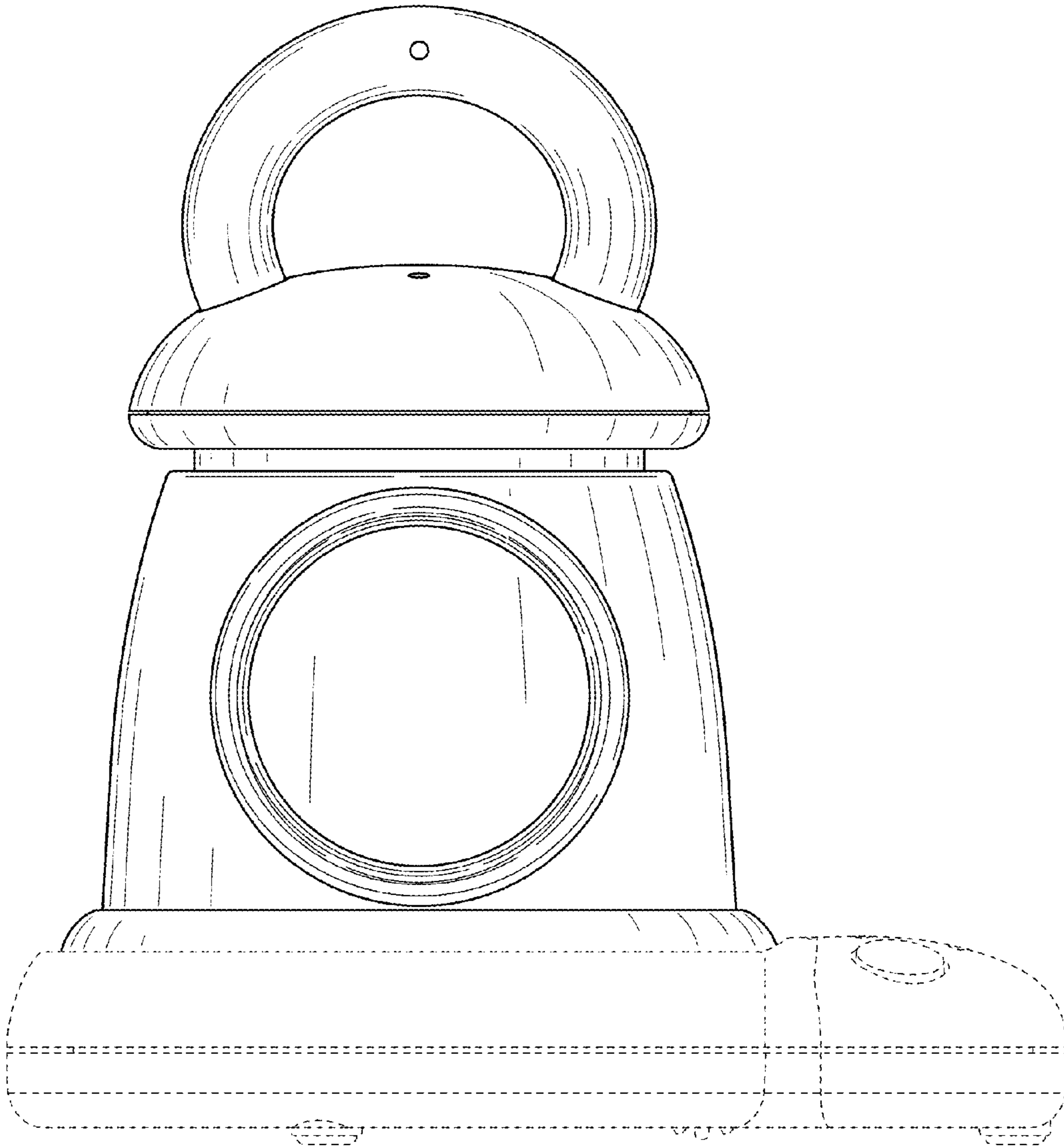


FIG. 2

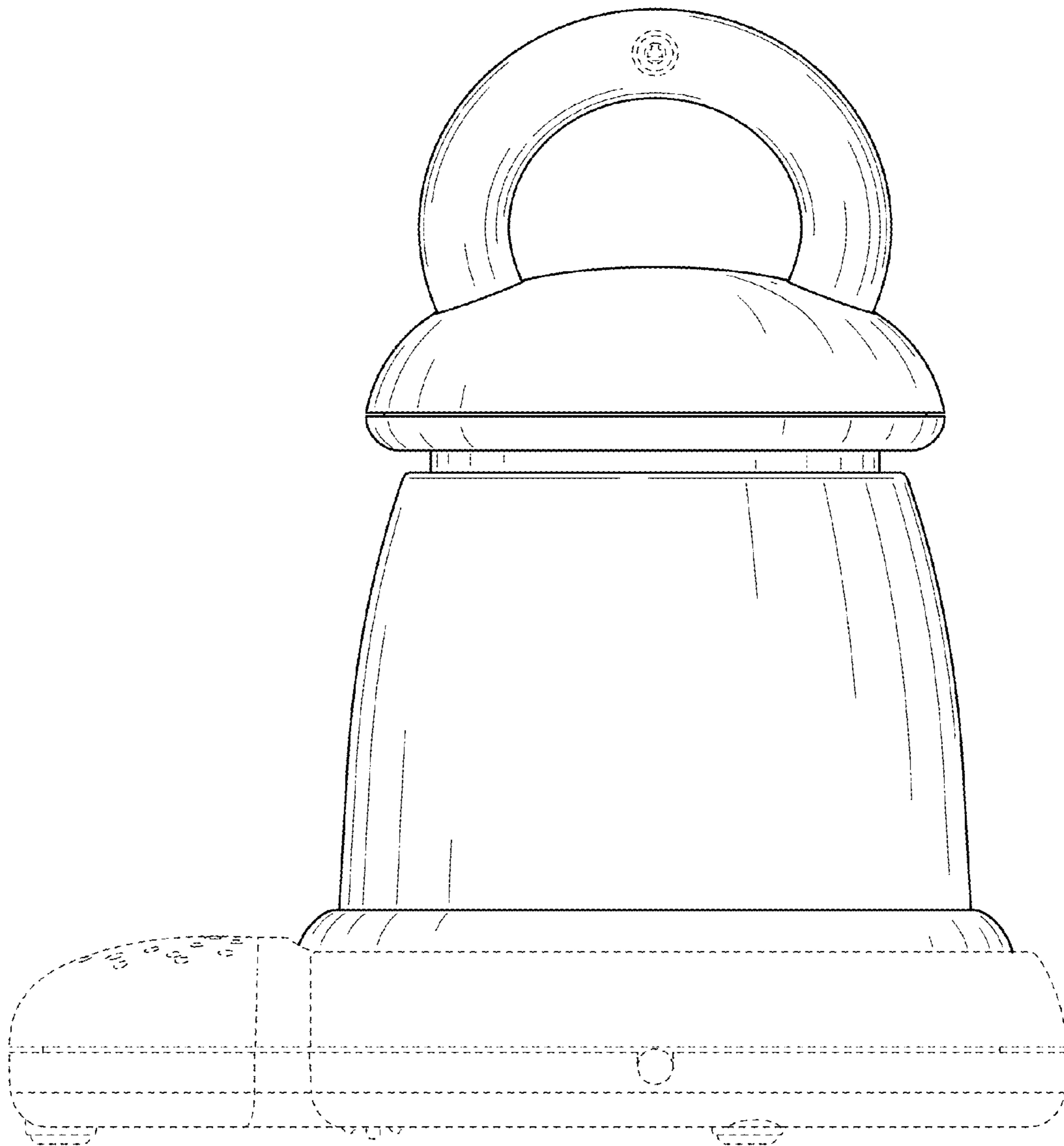


FIG. 3

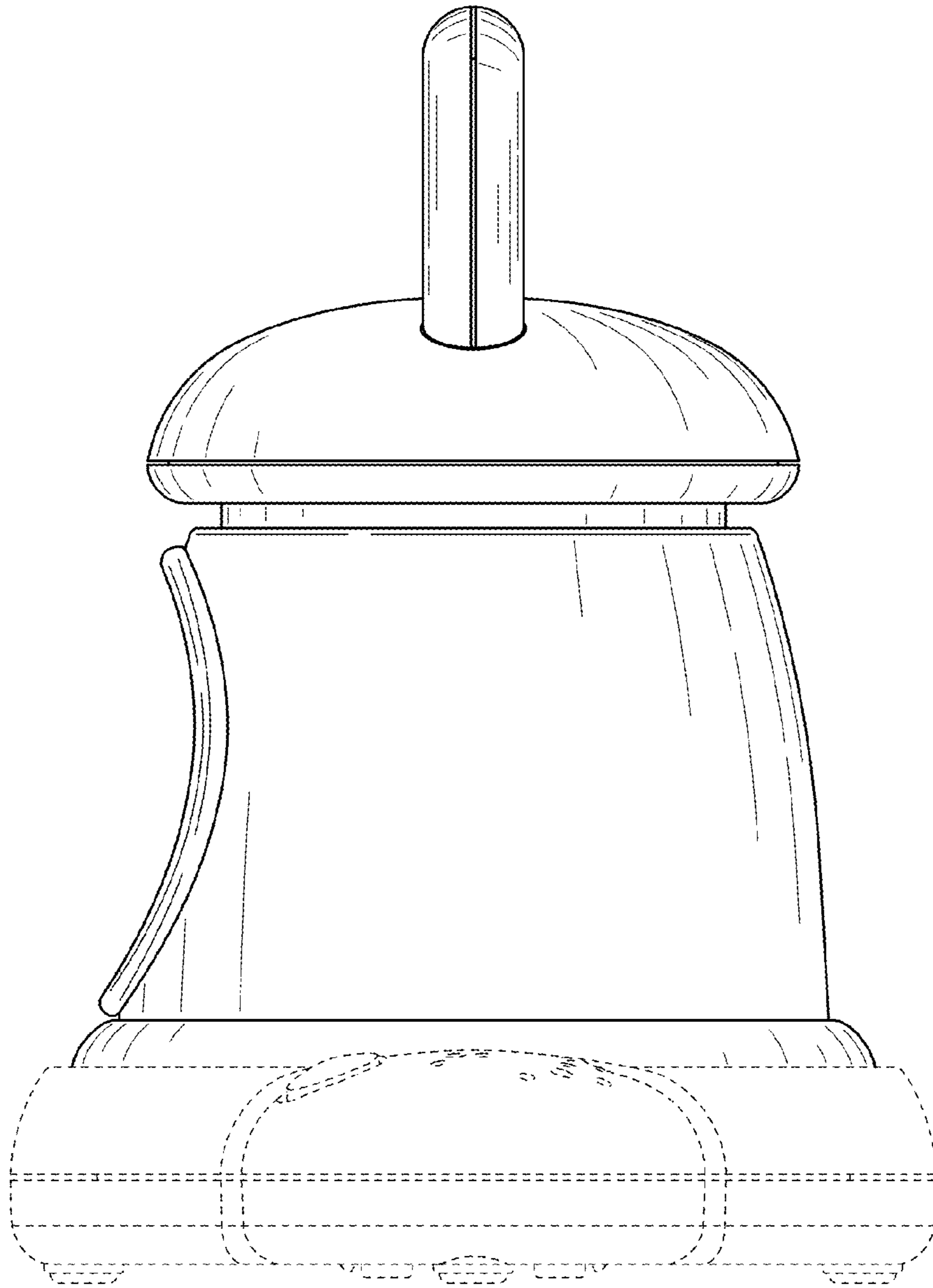


FIG. 4

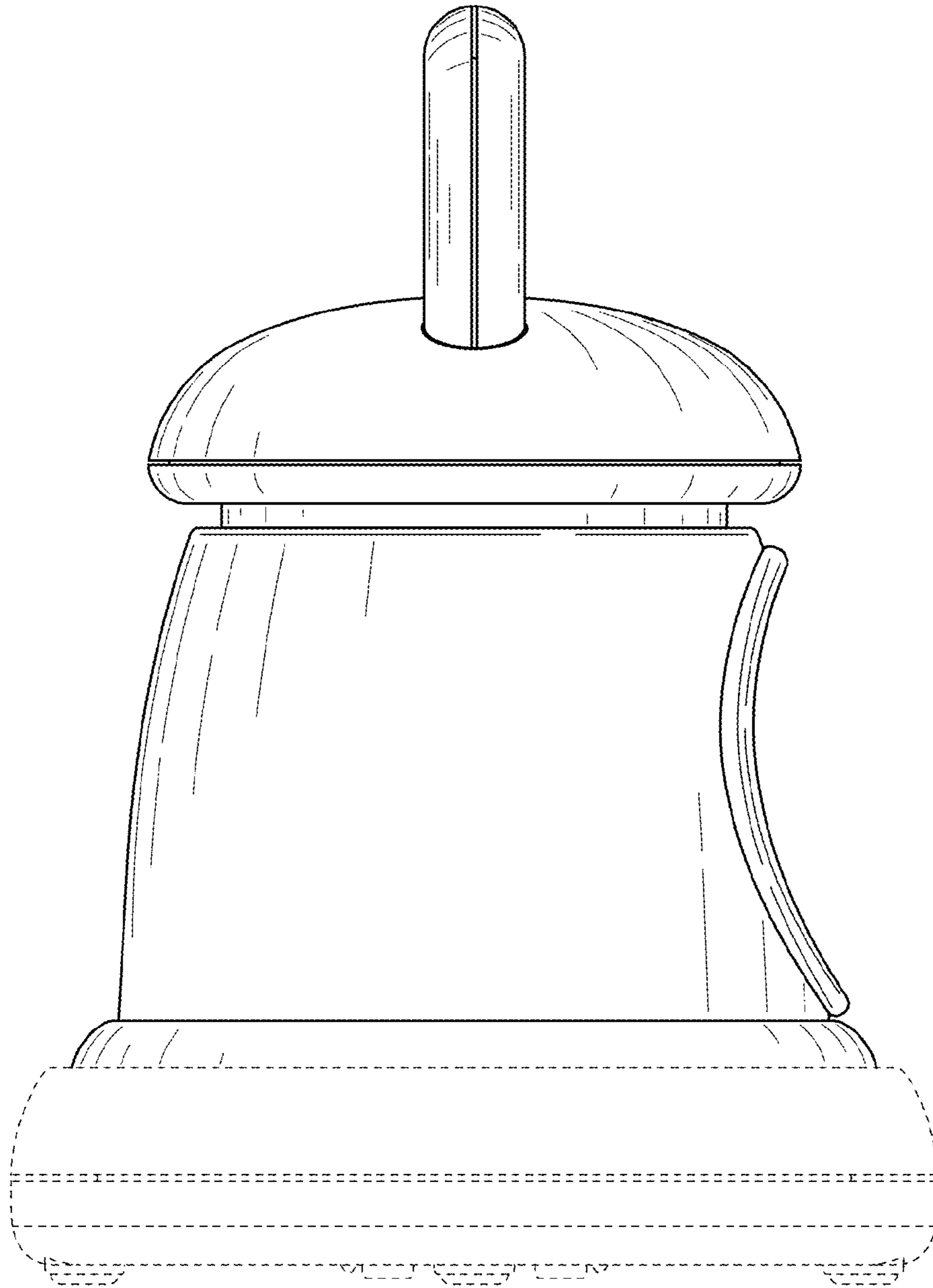


FIG. 5

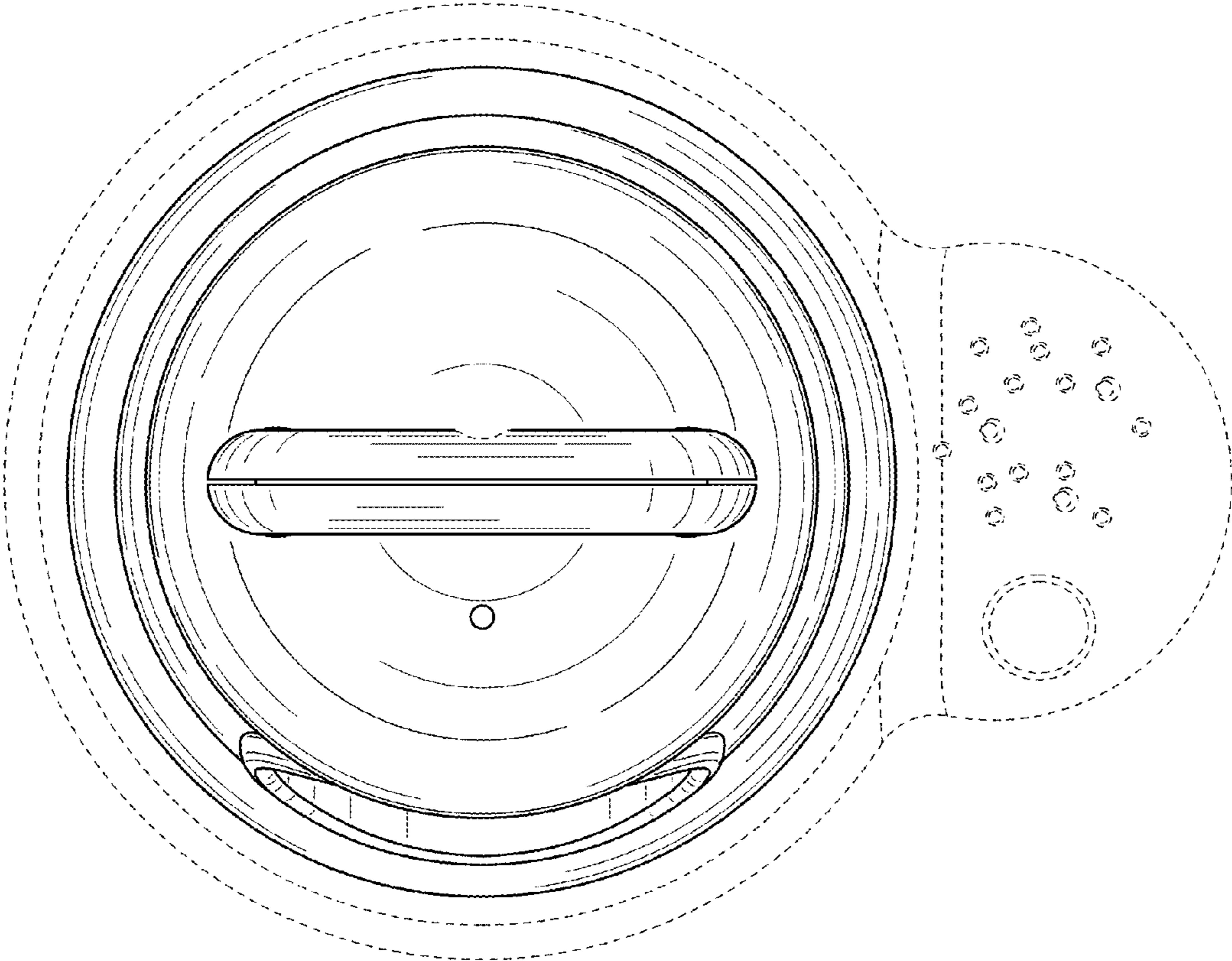


FIG. 6

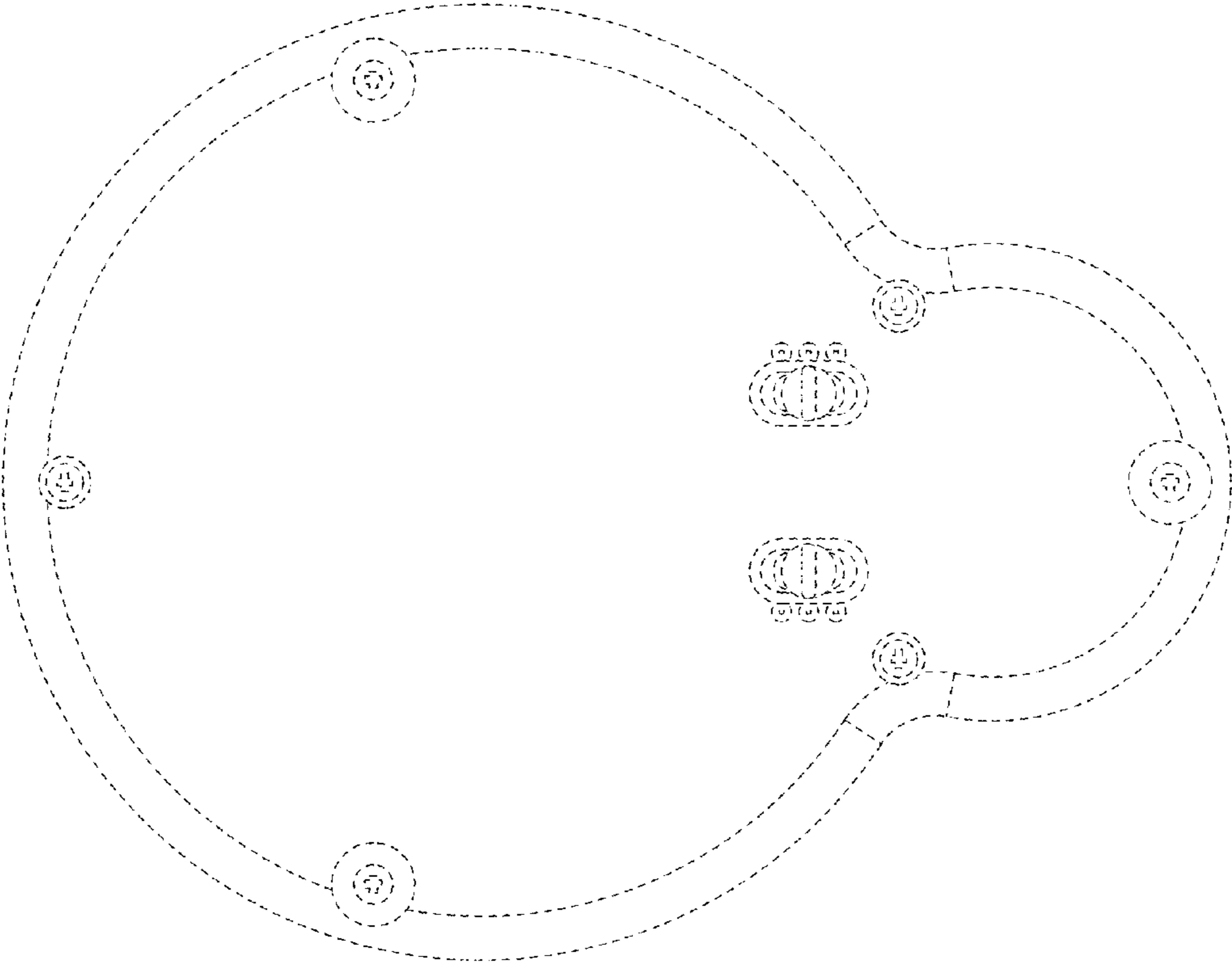


FIG. 7