



US00D740474S

(12) **United States Design Patent**
Pineau

(10) **Patent No.:** **US D740,474 S**

(45) **Date of Patent:** **** Oct. 6, 2015**

(54) **LANTERN**

(71) Applicant: **CLAESSENS’KIDS SARL**, Aubonne
(CH)

(72) Inventor: **Alain Pineau**, Paris (FR)

(73) Assignee: **CLAESSENS’KIDS SARL**, Aubonne
(CH)

(**) Term: **14 Years**

(21) Appl. No.: **29/461,897**

(22) Filed: **Jul. 29, 2013**

(30) **Foreign Application Priority Data**

Feb. 8, 2013 (WO) 719348801

(51) **LOC (10) Cl.** **26-02**

(52) **U.S. Cl.**
USPC **D26/37**

(58) **Field of Classification Search**
USPC D26/37, 38, 39, 40, 41, 46, 60;
362/157, 158, 183, 184, 194–196,
362/202–208

CPC ... F21Y 2101/00; F21V 21/30; F21V 21/406;
F21W 2131/406; F21W 2131/407; F21L 2/00;
F21L 4/00; F21L 4/005; F21L 17/00; F21L
13/08

See application file for complete search history.

(56) **References Cited**

U.S. PATENT DOCUMENTS

D86,734 S * 4/1932 Mitchell D26/44
D217,065 S * 3/1970 Gugelot et al. D26/37
D346,234 S * 4/1994 Sammis D26/29

D362,079 S * 9/1995 Brown D26/39
D455,854 S * 4/2002 Smith D26/37
D490,553 S * 5/2004 Waldmann D26/61
D553,274 S * 10/2007 Hill et al. D26/37
D567,414 S * 4/2008 Schnell D26/37
D568,516 S * 5/2008 Hillard D26/60
7,390,104 B2 * 6/2008 Coushaine 362/184
D581,081 S * 11/2008 Mier-Langner D26/72
D617,930 S * 6/2010 Chen D26/63
D620,164 S * 7/2010 Chen D26/60
D655,841 S * 3/2012 Coleman, Jr. D26/63
D682,451 S * 5/2013 Hardy D26/60
D684,269 S * 6/2013 Wang et al. D24/209
D702,863 S * 4/2014 Kotsis D26/37
2006/0171145 A1 * 8/2006 Ford et al. 362/200

* cited by examiner

Primary Examiner — Ian Simmons

Assistant Examiner — Carissa C Fitts

(74) *Attorney, Agent, or Firm* — DLA Piper LLP US

(57) **CLAIM**

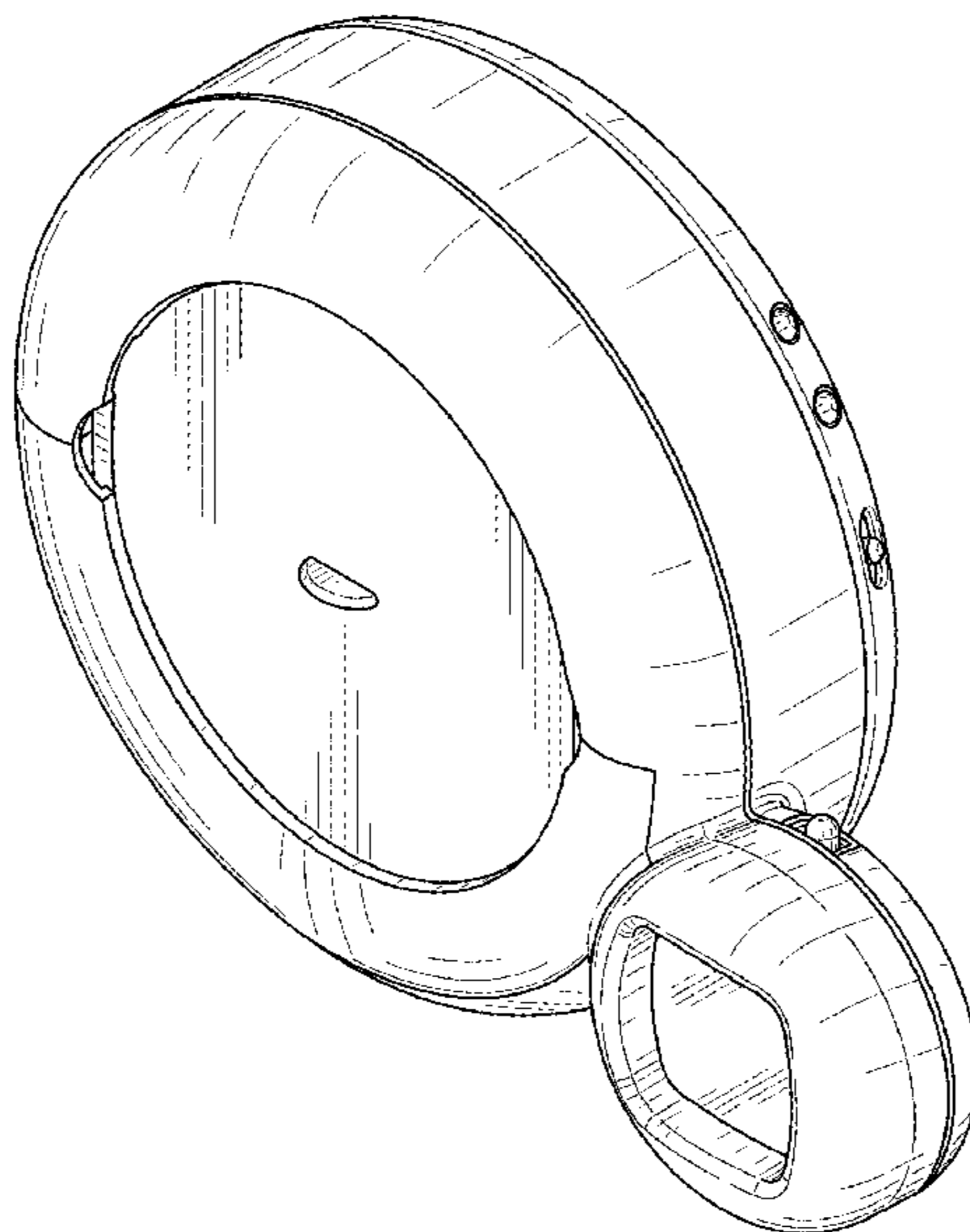
I claim the ornamental design for a lantern, as shown and disclosed.

DESCRIPTION

FIG. 1 is a front perspective view of a lantern;
FIG. 2 is a front view thereof;
FIG. 3 is a back view thereof;
FIG. 4 is a right side view thereof;
FIG. 5 is a left side view thereof;
FIG. 6 is a top view thereof; and,
FIG. 7 is a bottom view thereof.

The broken line showing is for environmental purposes only and forms no part of the claimed design.

1 Claim, 5 Drawing Sheets



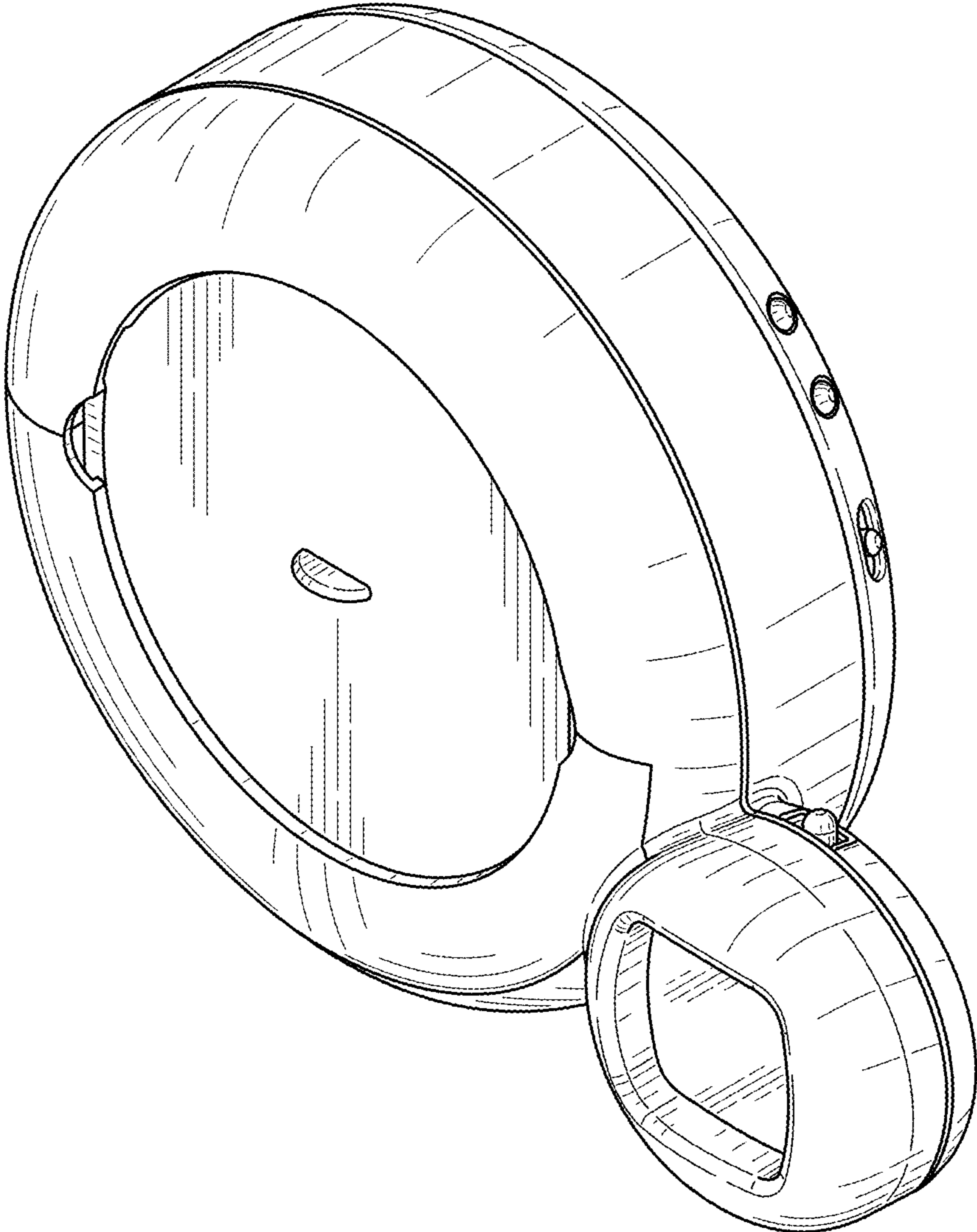


FIG. 1

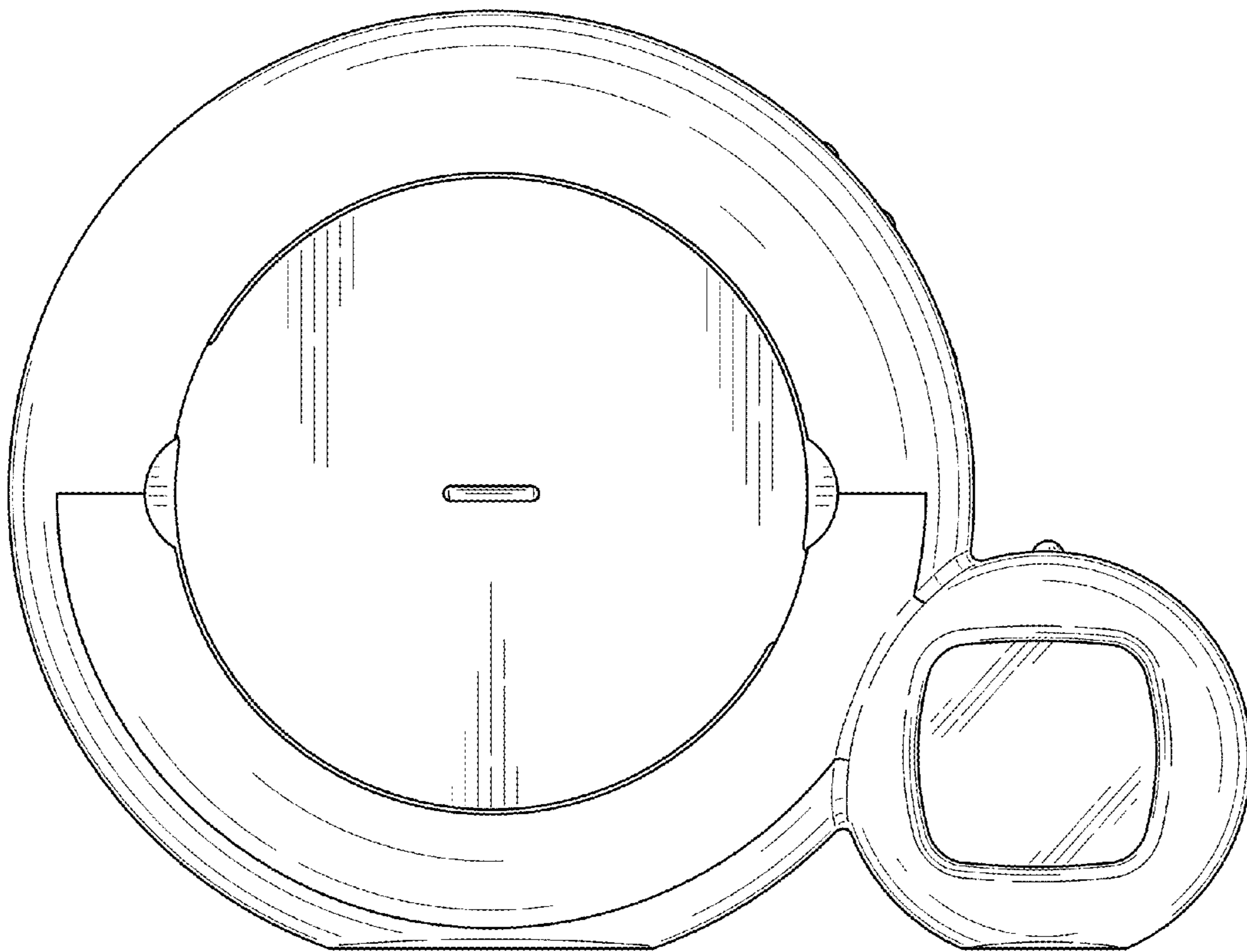


FIG. 2

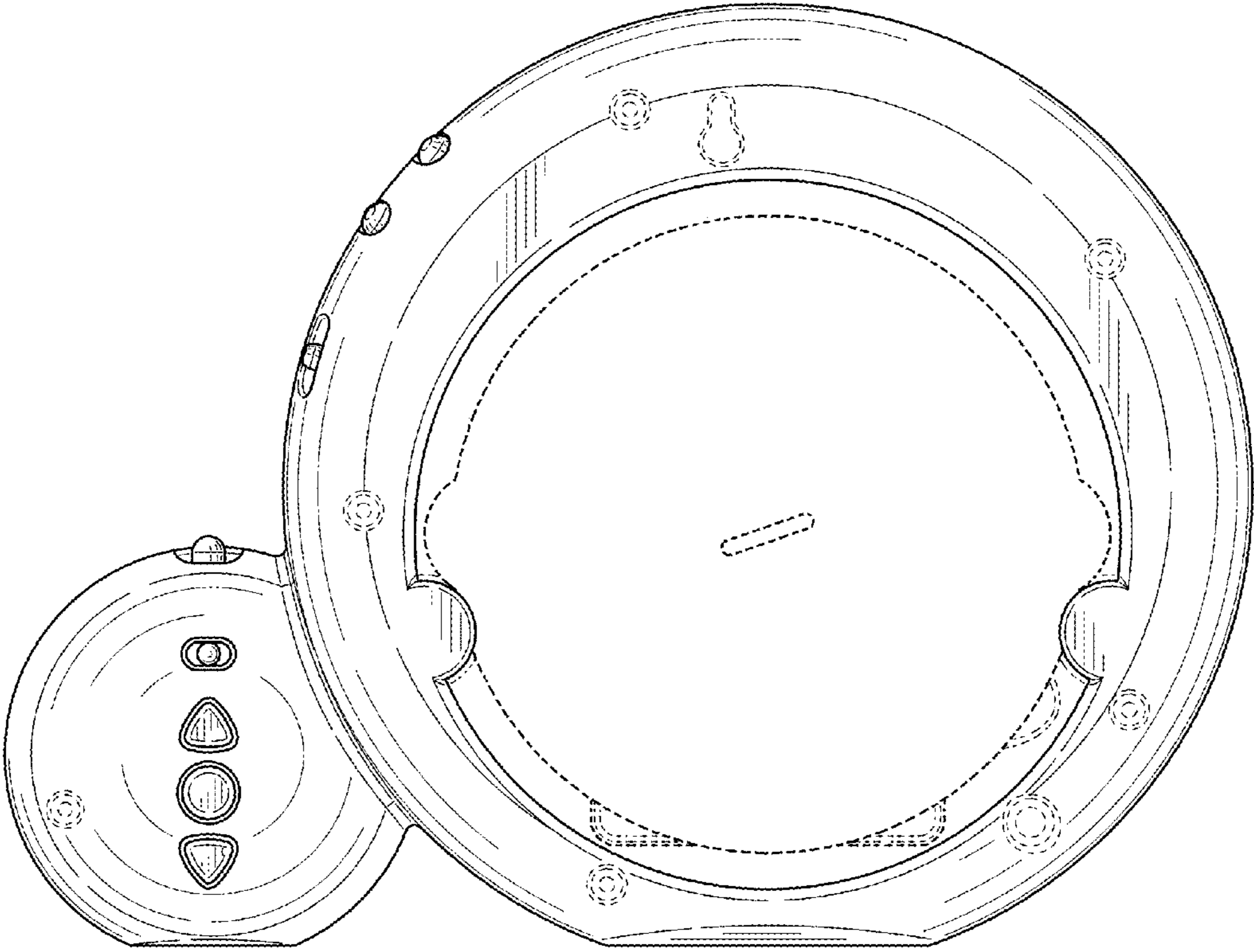


FIG. 3

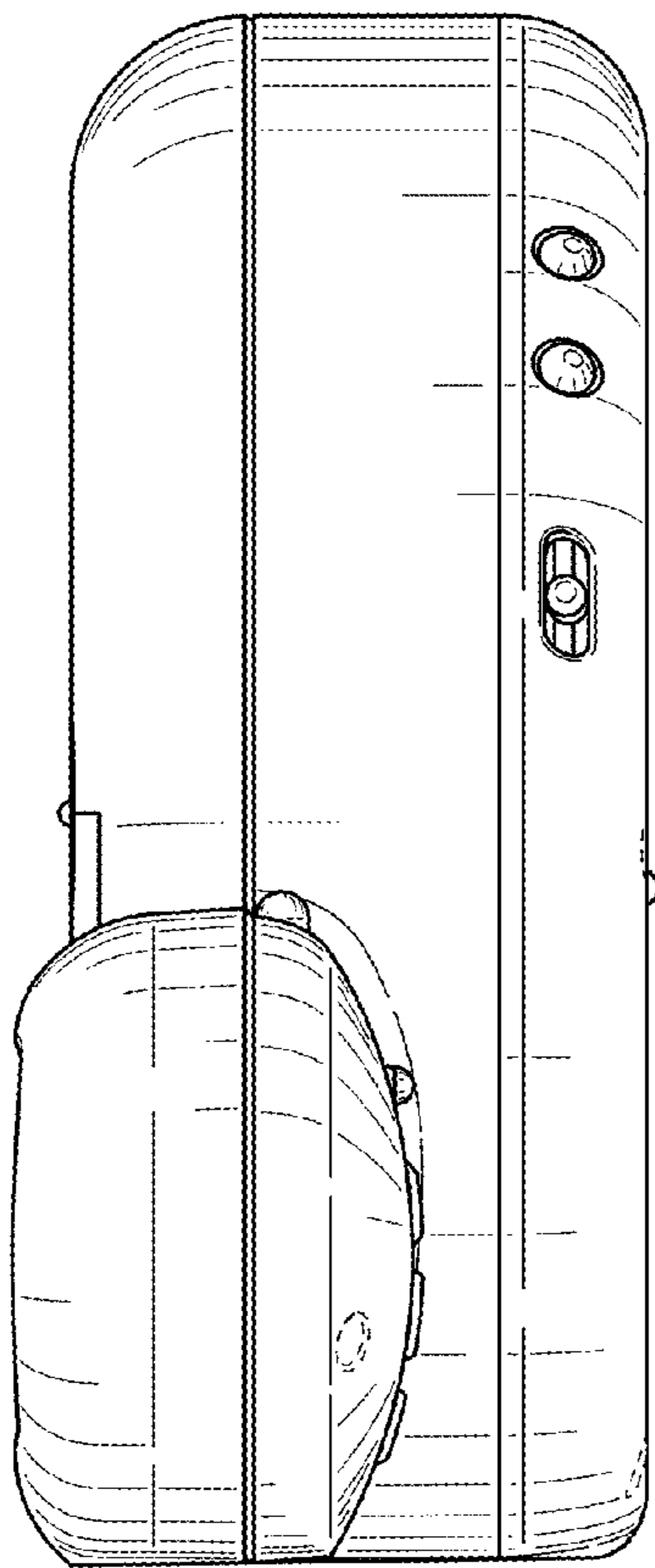


FIG. 4

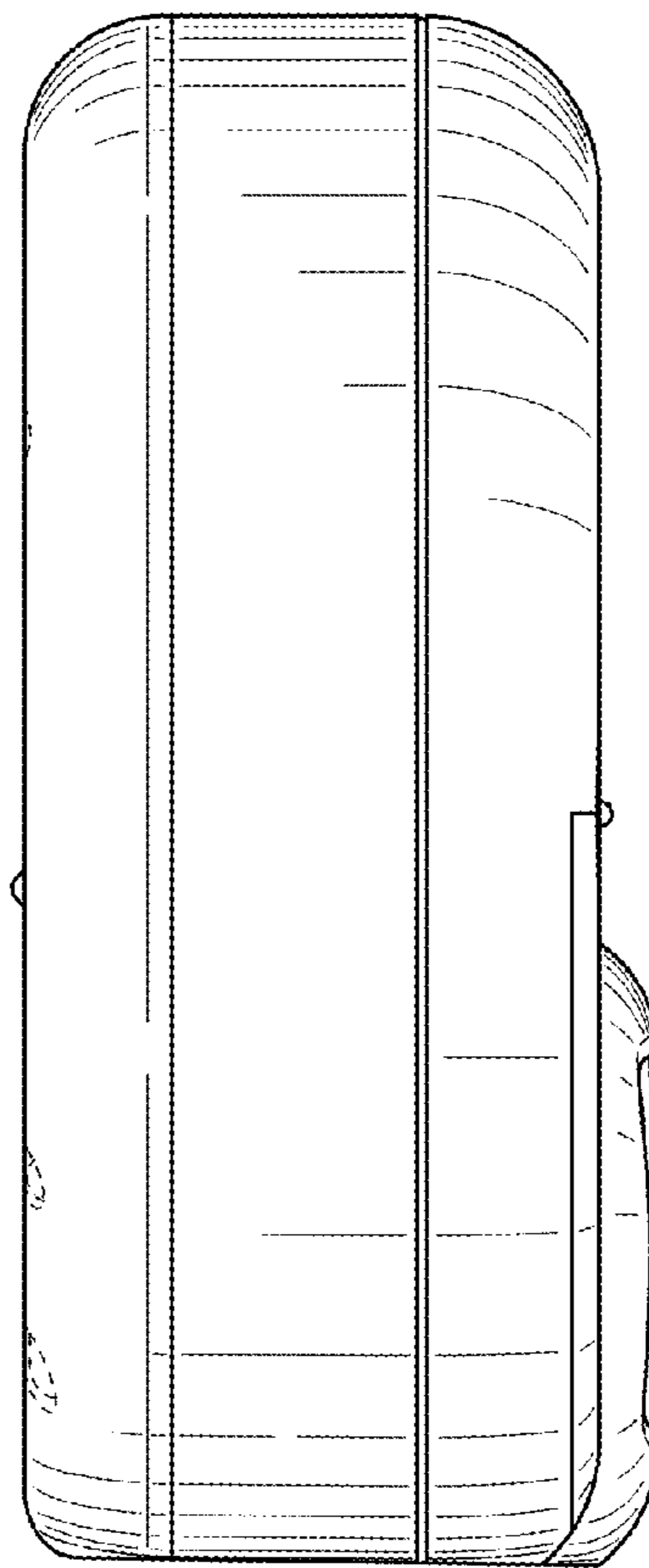


FIG. 5

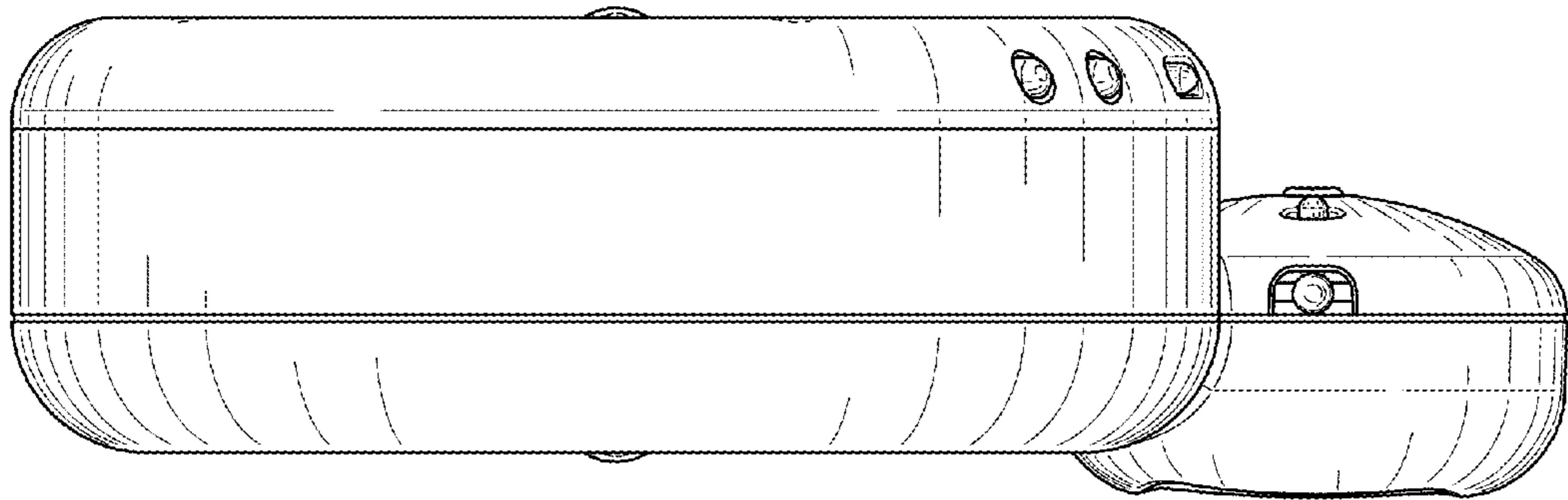


FIG. 6

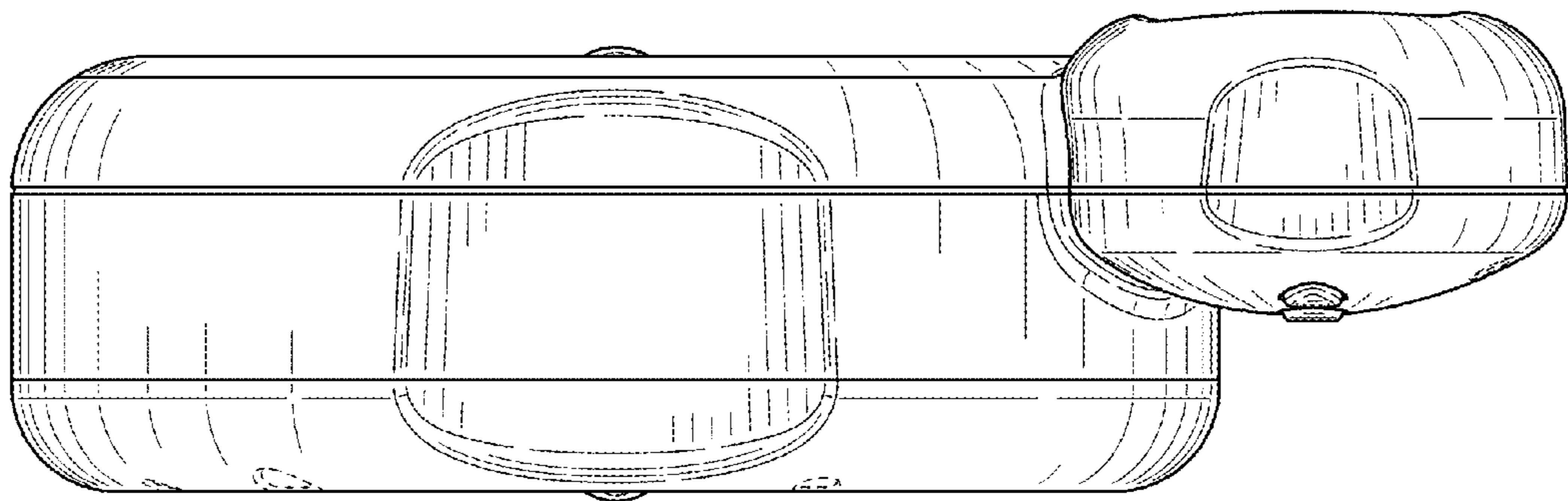


FIG. 7