



US00D740470S

(12) **United States Design Patent**
Tsukui et al.

(10) **Patent No.:** **US D740,470 S**
(45) **Date of Patent:** **** Oct. 6, 2015**

(54) **HEADLIGHT FOR MOTORCYCLE**

(71) Applicant: **HONDA MOTOR CO., LTD.**, Tokyo
(JP)

(72) Inventors: **Hiroaki Tsukui**, Wako (JP); **Masaru Watanabe**, Wako (JP)

(73) Assignee: **HONDA MOTOR CO., LTD.**, Tokyo
(JP)

(**) Term: **14 Years**

(21) Appl. No.: **29/488,859**

(22) Filed: **Apr. 24, 2014**

(30) **Foreign Application Priority Data**

Oct. 30, 2013 (JP) 2013-025274

(51) **LOC (10) Cl.** **26-06**

(52) **U.S. Cl.**
USPC **D26/28**

(58) **Field of Classification Search**

USPC D26/28-36, 38, 39, 60-66, 113,
D26/118-121, 138-140, 142; 362/362,
362/364-366, 368-373, 459-463, 473-478,
362/485-487, 538, 539, 546-549;
D12/107, 110, 187-189
CPC B62J 6/02; B62J 6/04; B60Q 1/0047;
B60Q 1/18; B60Q 1/2696; B60Q 1/46;
F21S 48/1233; F21S 48/10; F21S 48/335;
F21S 48/00; F21S 48/1258

See application file for complete search history.

(56) **References Cited**

U.S. PATENT DOCUMENTS

D500,564 S *	1/2005	Uemoto et al.	D26/28
D569,015 S *	5/2008	Tsukui et al.	D26/28
7,484,869 B2 *	2/2009	Kogo et al.	362/538
D606,676 S *	12/2009	Mulla	D26/28
D638,150 S *	5/2011	Ichikawa et al.	D26/28
D645,176 S *	9/2011	Bauer et al.	D26/28
D661,828 S *	6/2012	Yu	D26/28
D683,057 S *	5/2013	Aikawa et al.	D26/28
D693,038 S *	11/2013	Kojima et al.	D26/28
D701,984 S *	4/2014	Kuriki et al.	D26/28
D714,980 S *	10/2014	Kogawa	D26/28
D717,978 S *	11/2014	Nishimoto et al.	D26/28
D719,692 S *	12/2014	Yamaguchi	D26/28

* cited by examiner

Primary Examiner — Cynthia Ramirez

Assistant Examiner — Llorellys Martinez-Rivera

(74) *Attorney, Agent, or Firm* — Birch, Stewart, Kolasch & Birch, LLP

(57) **CLAIM**

The ornamental design for a headlight for motorcycle, as shown and described.

DESCRIPTION

FIG. 1 is a perspective view from the front side of a headlight for motorcycle.

FIG. 2 is a perspective view from the front side thereof.

FIG. 3 is a front elevation view thereof.

FIG. 4 is a left side elevation view thereof.

FIG. 5 is a right side elevation view thereof.

FIG. 6 is a bottom plan view thereof; and,

FIG. 7 is a referential view showing use thereof.

The portions of the headlight shown in broken lines are for the purpose of showing environmental structure only and form no part of the claimed design.

1 Claim, 7 Drawing Sheets

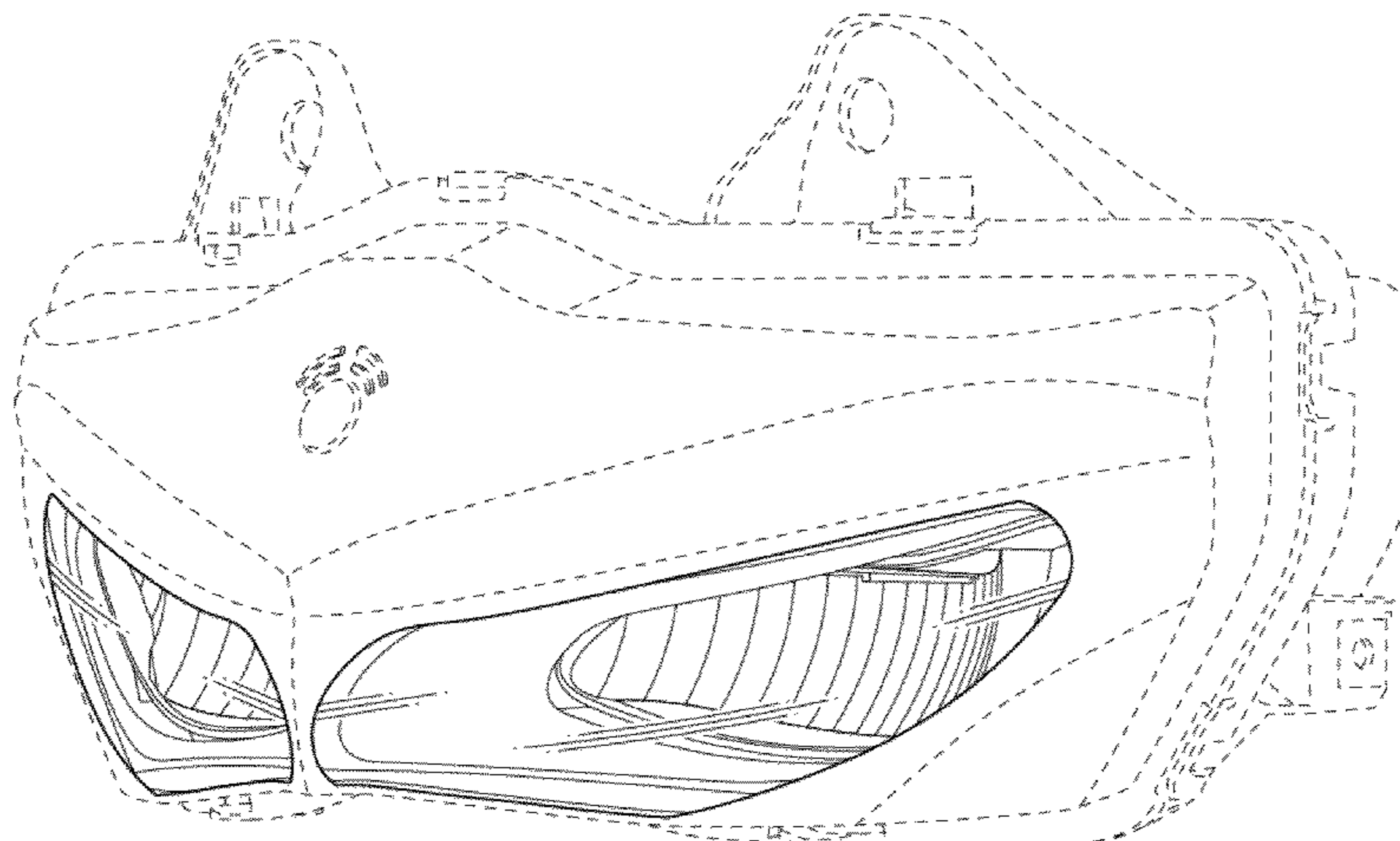


FIG. 1

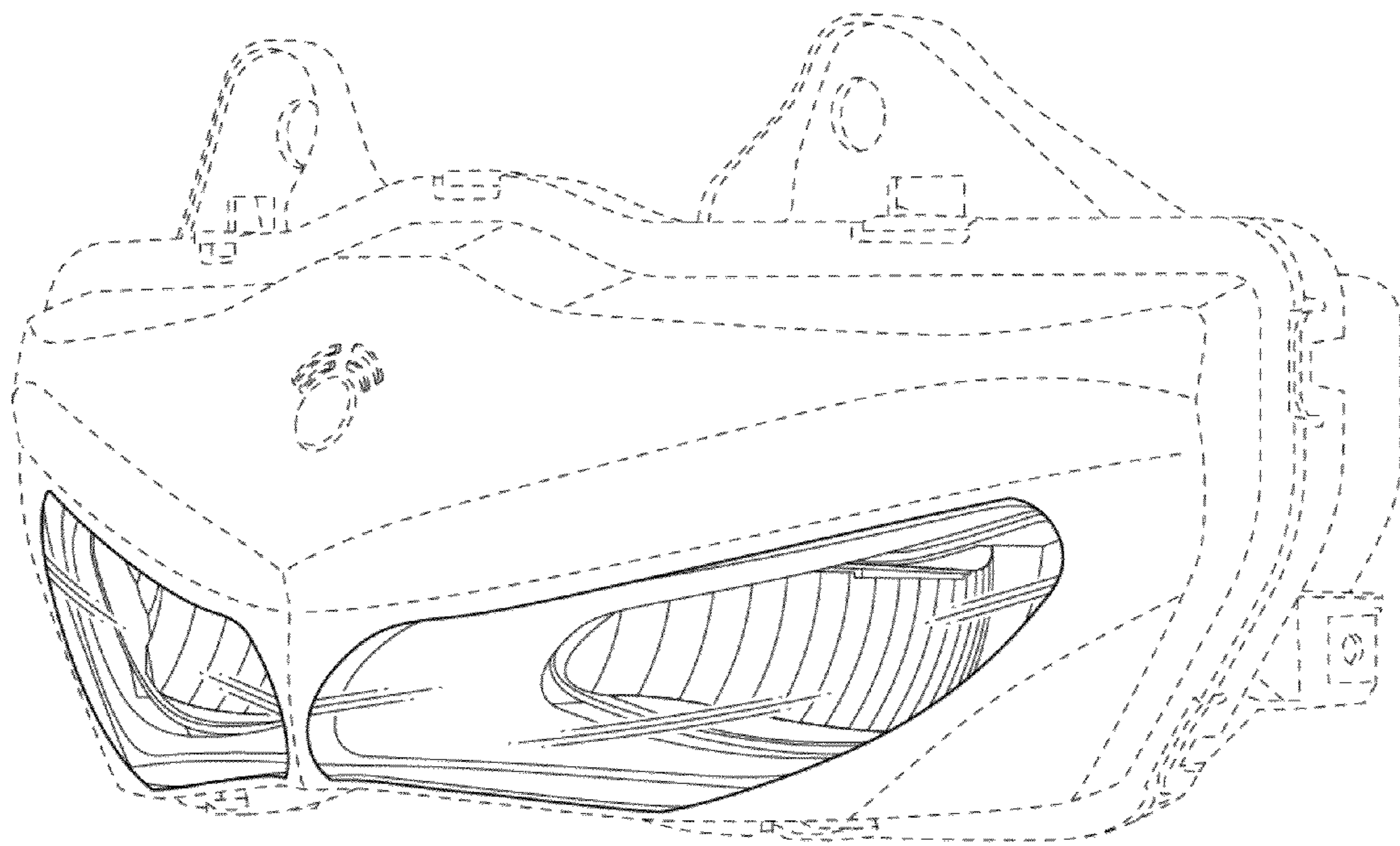


FIG. 2

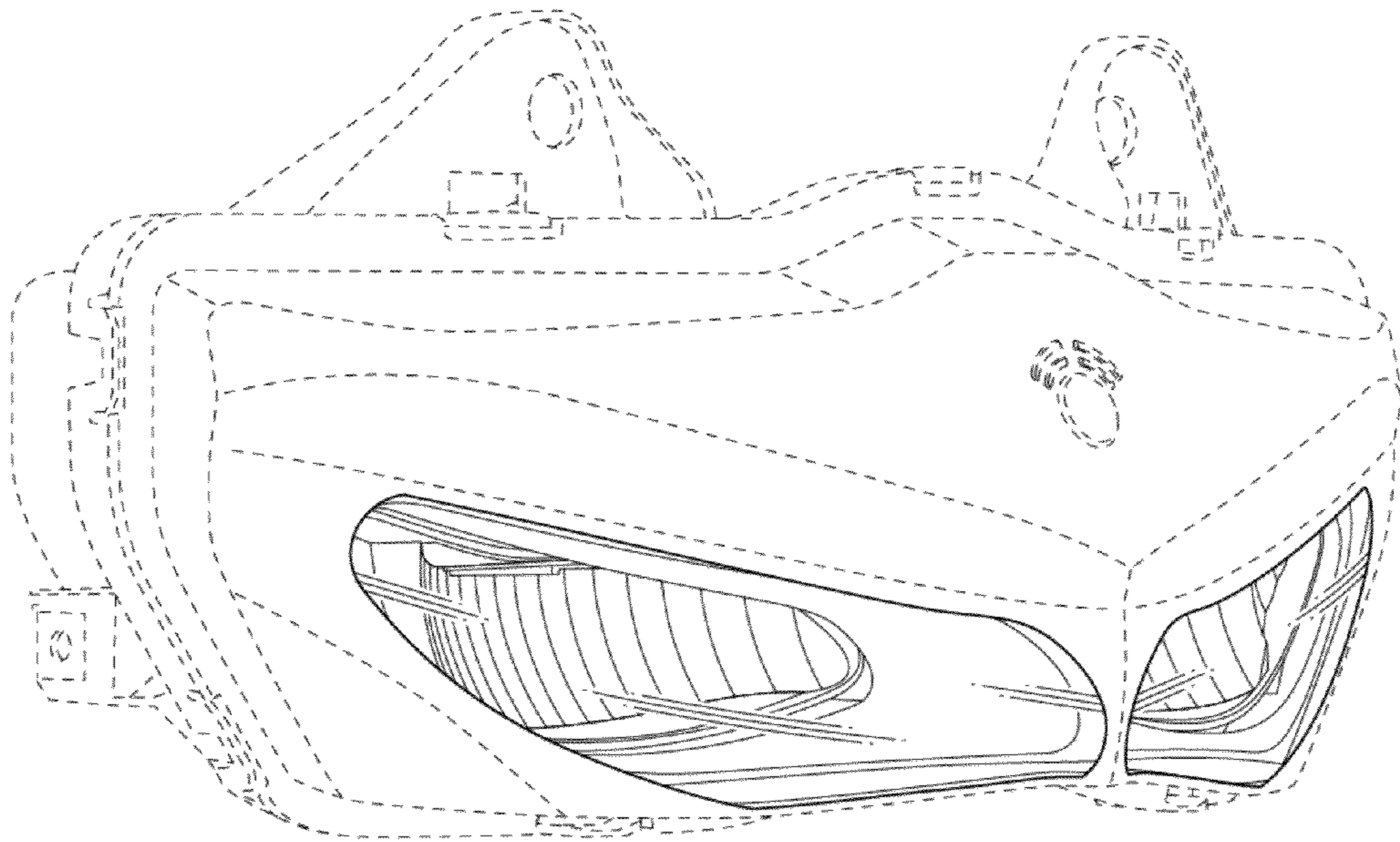


FIG. 3

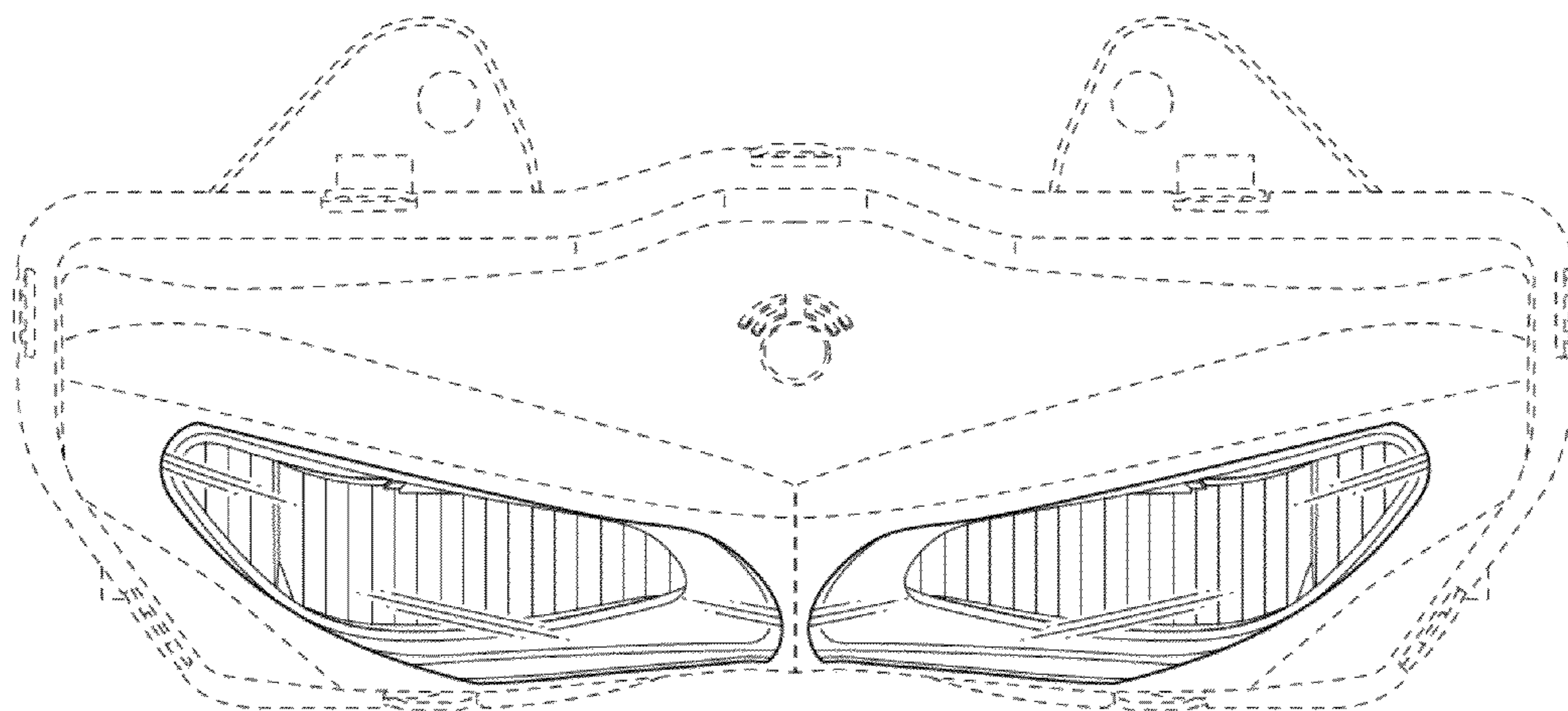


FIG. 4

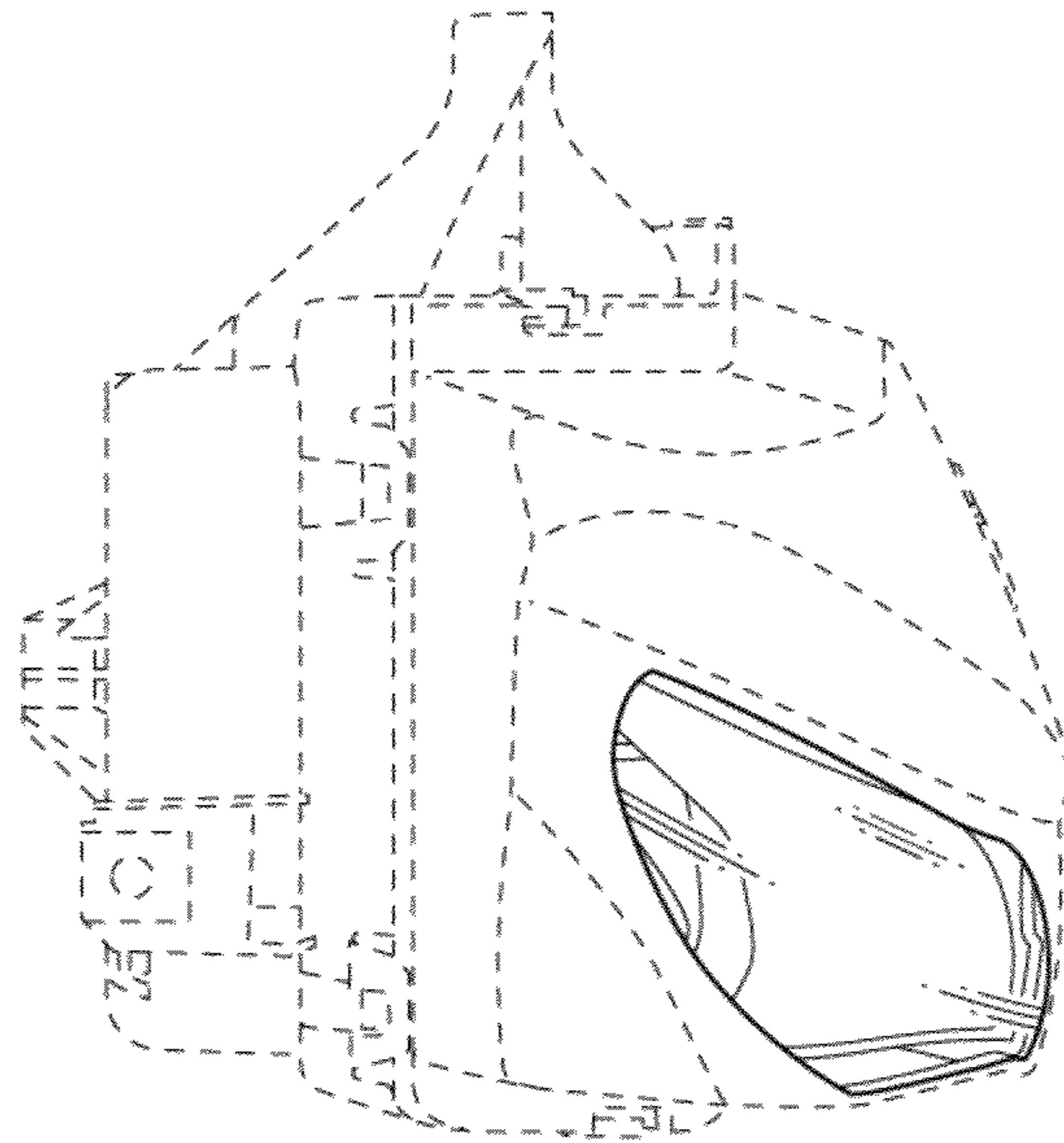


FIG. 5

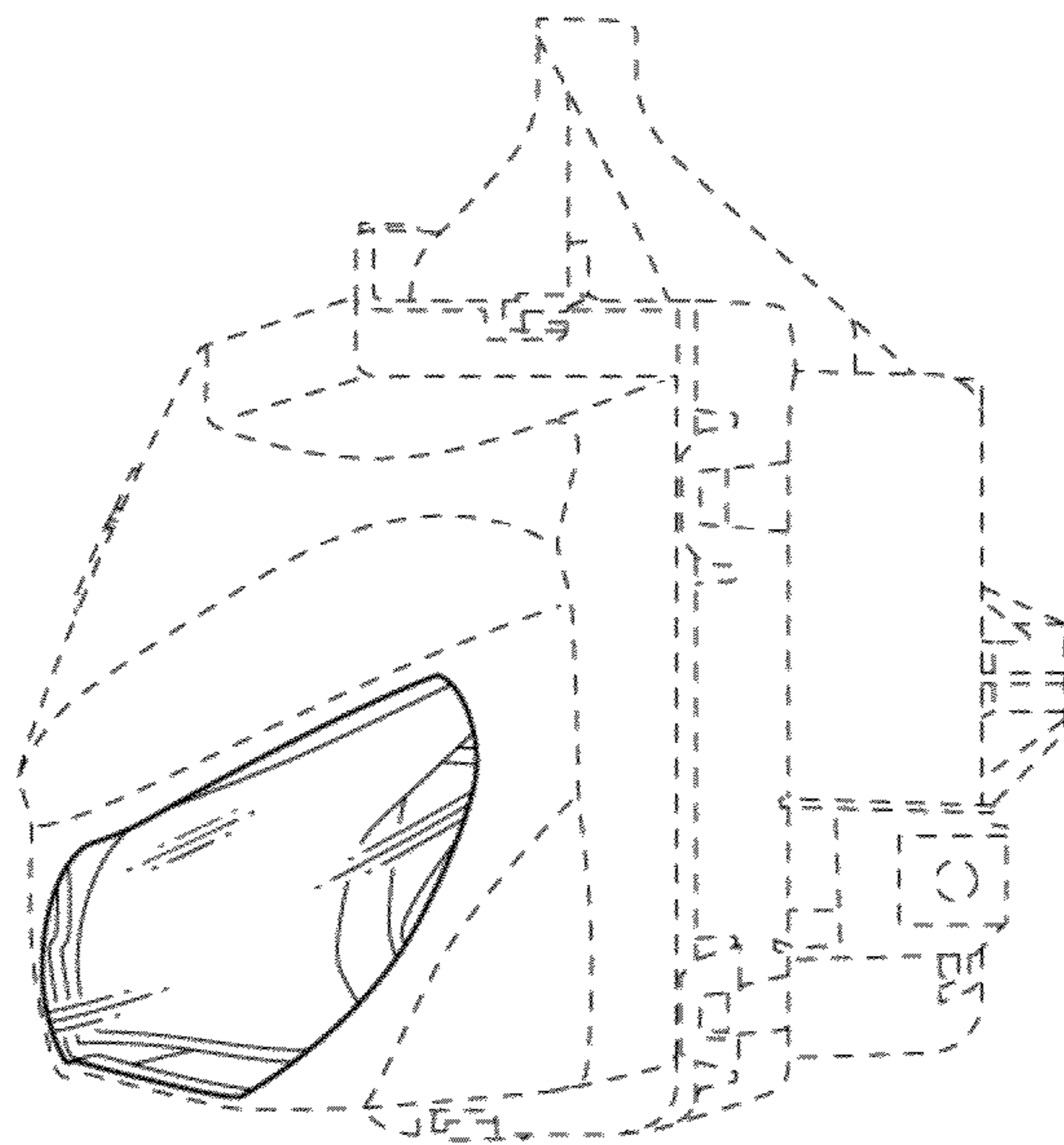


FIG. 6

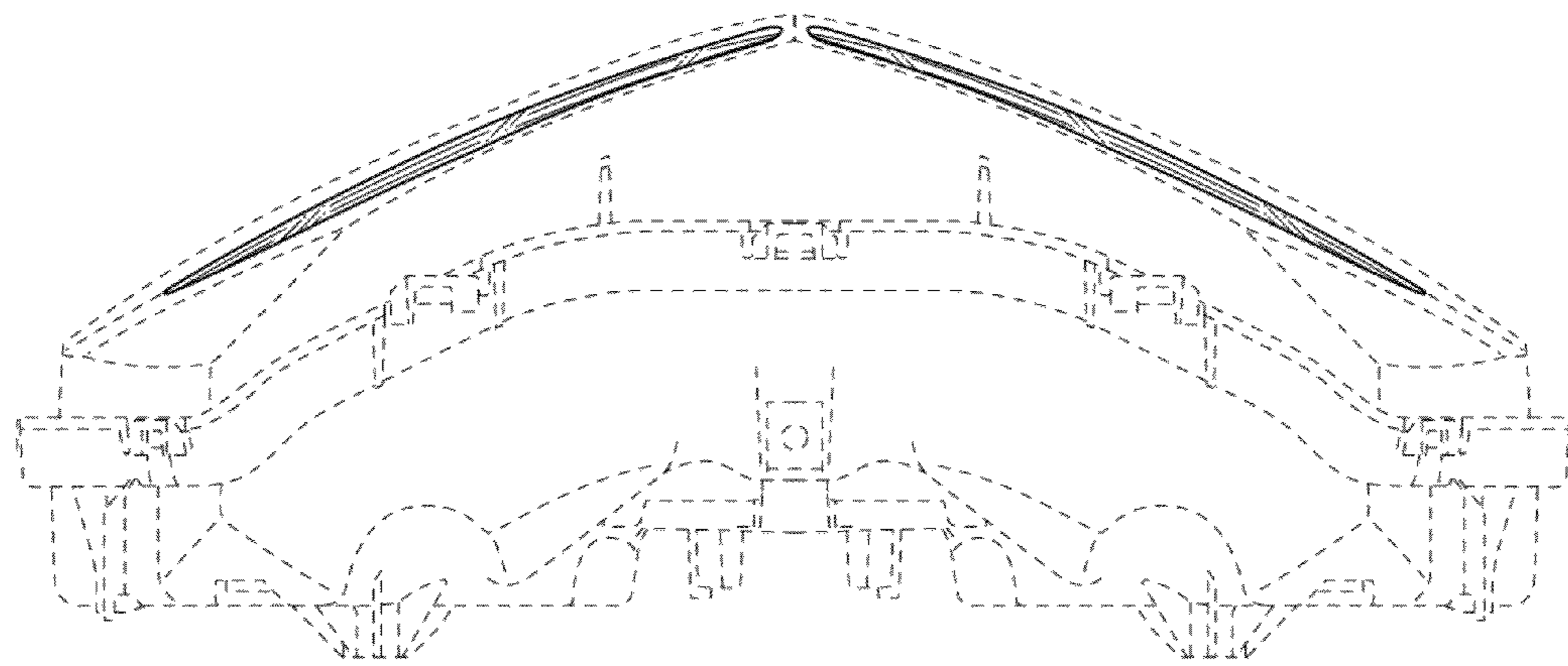


FIG. 7

